



Ball unit tables

Simply move, turn and align

- Optimise the material flow in conveyor systems
- Suited for firm and level floor surfaces
- Can also be used as a work table

Crossing element for gravity conveyors and manually operated conveying systems.

Overall max. load 200 kg, ball Ø 19 mm, load bearing capacity per ball 30 kg.

Application	skate wheel and light-duty roller conveyors						heavy roller conveyors		
	Track width	400		500		600		750	
Length x overall width	mm	500 x 440	1000 x 440	500 x 540	1000 x 540	500 x 640	1000 x 640	500 x 790	1000 x 790
Spacing									
125 mm	Ref.	476 364-2G	476 368-2G	476 372-2G	476 376-2G	476 380-2G	476 384-2G	476 388-2G	476 392-2G
	€	239,-	409,-	279,-	499,-	329,-	589,-	379,-	669,-
100 mm	Ref.	476 363-2G	476 367-2G	476 371-2G	476 375-2G	476 379-2G	476 383-2G	476 387-2G	476 391-2G
	€	319,-	559,-	369,-	669,-	419,-	759,-	529,-	959,-
75 mm	Ref.	476 362-2G	476 366-2G	476 370-2G	476 374-2G	476 378-2G	476 382-2G	476 386-2G	476 390-2G
	€	449,-	779,-	559,-	989,-	629,-	1.125,-	759,-	1.345,-
50 mm	Ref.	476 361-2G	476 365-2G	476 369-2G	476 373-2G	476 377-2G	476 381-2G	476 385-2G	476 389-2G
	€	649,-	1.295,-	819,-	1.625,-	969,-	1.925,-	1.225,-	2.450,-

More ball unit tables

ONLINE!

Additional table widths, lengths and ball unit tables in special designs available on request.

Ball units

High quality ball units for transporting products and goods that must be able to be moved horizontally to all sides, and be rotated around their vertical axis.

Low friction and hardwearing transport of material on conveyor systems.

All ball units in electrolytically zinc plated sheet steel housings.

Steel balls: for heavy goods, conveyor speeds up to max. 2 m/s.

Plastic balls: for sensitive goods, conveyor speeds up to max. 0.5 m/s.

1 Sheet steel housing with flange

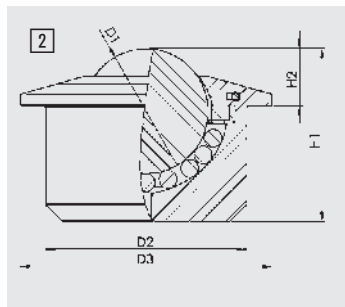
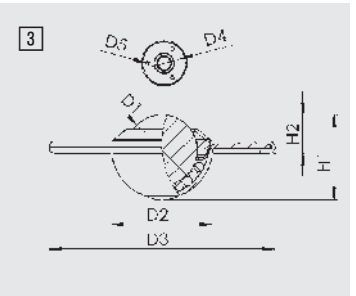
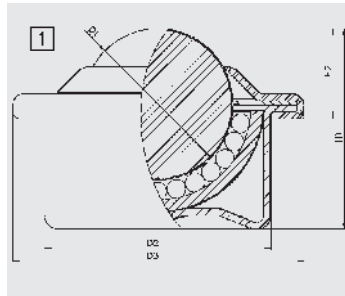
Standard ball unit that covers most applications.
Full stainless steel also available on request.

2 Solid with flange

Standard ball unit for higher loads.
Also available as a heavy duty version on request.

3 With recessed sheet steel housing

Ball unit with low overall height.
Full stainless steel also available on request.



More ball units

ONLINE!

This is how to find the right ball unit to suit the load:

Weight of the goods being conveyed / 3 = max. dynamic load of a ball unit

Model		1			2				3					
Ball Ø	mm	15	22	30	15	22	30	45	15	19	25	32	40	
Housing Ø	mm	24	36	45	24	36	45	62	22.2	29	38.1	45.5	63	
Flange Ø	mm	31	45	55	31	45	55	75	41.3	49	73	73.8	94.6	
Circle of holes Ø	mm	-	-	-	-	-	-	-	30	35	55.6	58.7	70.2	
Bore hole Ø	mm	-	-	-	-	-	-	-	3.5	5.1	5.1	5.1	7	
Overall height	mm	21	30.5	37	21	30.5	37	53.5	18.5	22	30	36	48.5	
Installation height	mm	9.5	10	14	9.5	10	14	19	10.2	10	14.2	16.2	21.2	
Fastening drill holes		-	-	-	-	-	-	-	2	2	3	3	3	
Ball material														
steel (100Cr6)	Effective load	kg	50	150	300	100	240	350	800	12	25	55	125	225
	Ref.	476 163-2G	476 164-2G	476 165-2G	476 172-2G	476 173-2G	476 174-2G	476 175-2G	476 192-2G	476 193-2G	476 194-2G	476 195-2G	476 196-2G	
	€	5,99	10,49	21,90	16,95	23,90	42,90	145,-	11,49	14,49	16,95	19,95	31,90	
plastic (POM)	Effective load	kg	25	50	100	25	50	100	10	20	40	90	140	
	Ref.	476 166-2G	476 167-2G	476 168-2G	476 176-2G	476 177-2G	476 178-2G		476 197-2G	476 198-2G	476 199-2G	476 200-2G	476 201-2G	
	€	6,99	11,95	34,90	17,49	23,90	54,90		12,95	15,49	23,90	42,90	69,90	
stainless steel (1.4430)	Effective load	kg	50	150	300	100	240	350	800	12	25	55	125	225
	Ref.	476 169-2G	476 170-2G	476 171-2G	476 179-2G	476 180-2G	476 181-2G	476 182-2G	476 202-2G	476 203-2G	476 204-2G	476 205-2G	476 206-2G	
	€	10,49	14,49	34,90	21,90	25,90	64,90	179,-	17,95	24,90	26,90	54,90	84,90	

BLUE =
14 working days