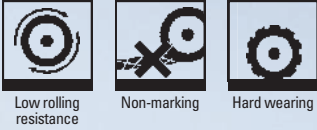
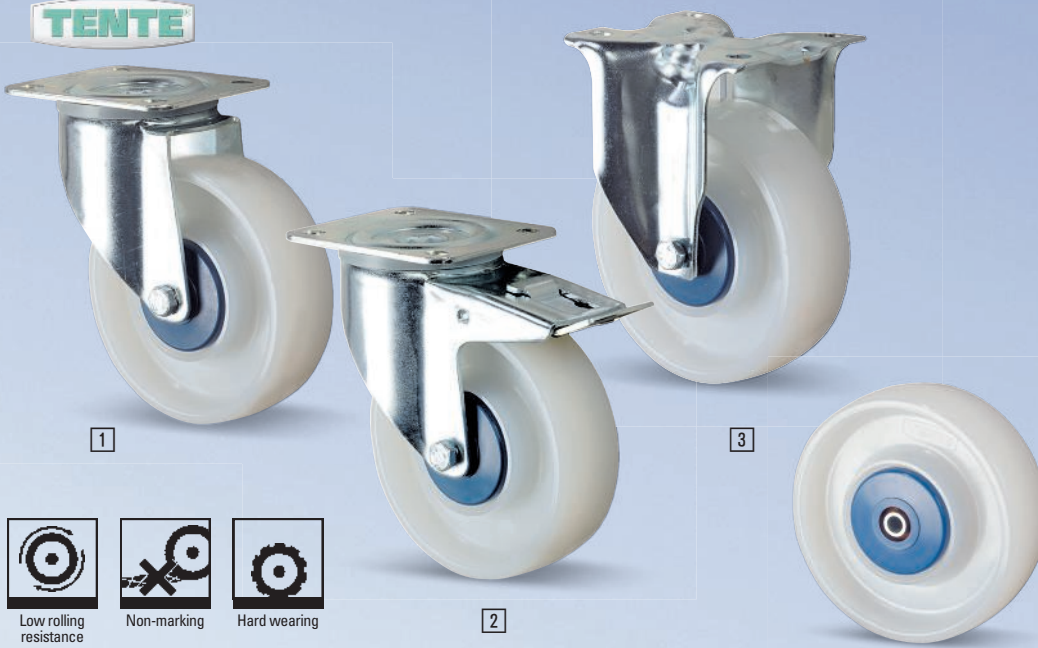
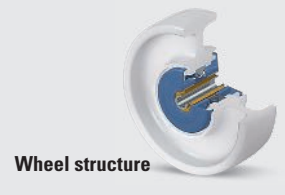


TENTE



More low noise wheels and castors can be found in our online shop.



Wheel structure

Wheel Ø x width	mm	100 x 36	125 x 36
Max. load at 4 km/h	kg	250	250
Overall height	mm	128	155
Plate dimensions	mm	105 x 85	105 x 85
Screw hole spacing	mm	80 / 77 x 60	80 / 77 x 60
Screw hole diameter	mm	9	9
Hub length / bore	mm	45 / 8	45 / 8
1 swivel castor	Offset	41	40
	Ref.	969 146-2G	969 153-2G
	€	19,49	24,90
2 swivel castor with double stop	Offset	41	40
	Ref.	969 147-2G	969 154-2G
	€	25,90	29,90
3 fixed castor		Ref. 969 148-2G	969 155-2G
	€	17,49	21,90
Wheels	Ref.	969 149-2G	969 156-2G
	€	14,49	16,49
Set offers			
Set 1	Ref.	969 151-2G	969 157-2G
	€	82,90	97,90
Set 2	Ref.	969 152-2G	969 158-2G
	€	74,90	89,90

Nylon wheels +

Reduced noise, up to 10 dB quieter than comparable, conventional wheels

- Reduces noise from transport equipment
- Cushioning component inside the wheel bearing with CELLASTO® shock absorber
- Hardness 65 Shore D
- Low roll and swivel resistance
- Temperature resistant from -40 °C to +80 °C

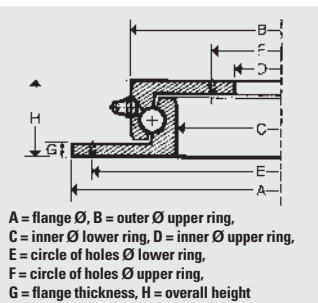
Sheet steel housing, zinc chromate finish, swivel bearing with double ball race, swivel bearing protection, thread guard.

Precision ball bearings.

Ball bearing races +

For turntable steering

- 2 steel rings with ball bearing races
- Precision steel ball bearings
- Lubrication nipple
- Black primed surface



For flange Ø up to 500 mm, we recommend 4 – 6 bolts, for larger Ø at least 8 bolts. All M 10 – M 12, rigidity class 8.8. Both flange rings without bore holes.

Note!
Dimension D (inner top ring Ø) is subject to manufacturing tolerances of +2 mm / -15 mm. For dim. A, manufacturing tolerances of 0 to +5 mm. Check tolerances to ensure smooth running fit.

Flange diameter	mm	400	500	500	650	650	750	850	950	1050	1050
Max. load axial	kg	700	900	1800	1500	2500	1800	2500	3000	3500	4500
Outer diameter upper ring	mm	342	442	437	592	587	692	792	892	992	987
Inner diameter lower ring	mm	292	392	384	542	534	642	742	842	942	934
Inner diameter upper ring	mm	230	330	315	480	465	580	680	780	880	865
Hole circle diameter, lower ring	mm	375	475	475	625	625	725	825	925	1025	1025
Hole circle diameter, upper ring	mm	260	360	340	510	490	610	710	810	910	890
Flange thickness	mm	8	8	8	8	8	8	8	8	8	8
Overall height	mm	45	45	52	45	52	45	45	45	45	52
Ref.		188 964-2G	188 972-2G	189 030-2G	188 980-2G	189 049-2G	188 999-2G	189 006-2G	189 014-2G	188 956-2G	189 022-2G
€		269,-	299,-	349,-	319,-	449,-	369,-	419,-	479,-	469,-	619,-

BLUE = 14 working days