

Elastic solid rubber tyres



On aluminium rim with non-marking tyres

- Low rolling resistance, quiet running
- Very smooth running, low rolling resistance
- Hardness 70 Shore A
- Temperature resistant from -20 °C to +70 °C

Zinc plated sheet steel housing, swivel bearings with double ball race, swivel bearing protection.

Vulcanised running surface.

Precision ball bearings.

Wheel Ø 100 + 125 mm on spoke rim (not shown), wheel Ø 160 + 200 mm on honeycomb rim (as shown).



Non-marking



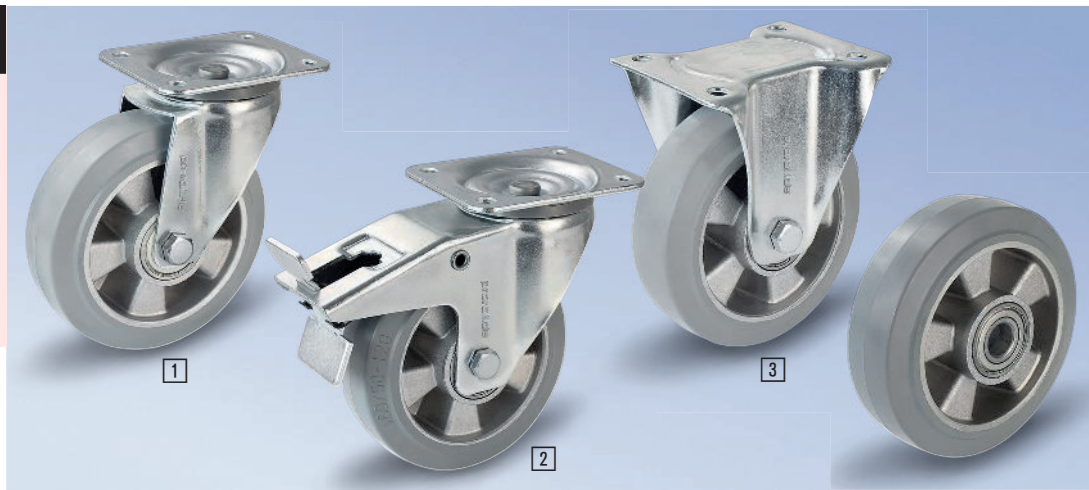
Low rolling resistance



High load capacity

On request

For swivel castors without double stops Ø 160 + 200 mm. Retrofittable directional stops 1 x 360°, swivel castor becomes a fixed castor in this way.



Wheel Ø x width	mm	100 x 40	100 x 40	125 x 40	125 x 40	160 x 50	200 x 50
Max. load at 4 km/h	kg	180	180	200	200	350	400
Overall height	mm	125	128	155	158	190	235
Screw hole spacing	mm	80 x 60	105 x 75 - 80	80 x 60	105 x 75 - 80	105 x 80	105 x 80
Screw hole diameter	mm	9	11	9	11	11	11
Hub length / bore	mm	41 / 12	41 / 12	41 / 15	50 / 20	60 / 20	60 / 20
1 swivel castor	Offset	mm	36	45	36	48	52
	Plate dimensions	mm	105 x 80	135 x 105	105 x 80	135 x 105	135 x 110
	Ref.	969 172-2G	969 177-2G	969 181-2G	969 186-2G	969 190-2G	969 195-2G
	€	24,90	30,90	31,90	34,90	52,90	57,90
2 swivel castor with double stop	Offset	mm	36	45	36	48	52
	Plate dimensions	mm	105 x 80	135 x 105	105 x 80	135 x 105	135 x 110
	Ref.	969 173-2G	969 178-2G	969 182-2G	969 187-2G	969 191-2G	969 196-2G
	€	29,90	34,90	36,90	36,90	62,90	67,90
3 fixed castor	Plate dimensions	mm	105 x 80	135 x 110	105 x 80	135 x 110	135 x 110
	Ref.	969 174-2G	969 179-2G	969 183-2G	969 188-2G	969 193-2G	969 197-2G
	€	23,90	25,90	30,90	31,90	49,90	54,90
Wheels	Ref.	969 175-2G	969 175-2G	969 185-2G	969 189-2G	969 194-2G	969 198-2G
	€	18,49	18,49	23,90	24,90	34,90	37,90

Elastic solid rubber tyres



On aluminium rim

- Low rolling resistance, quiet running
- Very smooth running, low rolling resistance
- Hardness 70 Shore A
- Temperature resistant from -20 °C to +70 °C

Zinc plated sheet steel housing, swivel bearings with double ball race, swivel bearing protection.

Vulcanised running surface.

Precision ball bearings.

Wheel Ø 80 + 125 mm on spoke rim (not shown), wheel Ø 160 + 200 mm on honeycomb rim (as shown).



Low rolling resistance



High load capacity



Wheel Ø x width	mm	80 x 38	100 x 40	100 x 40	125 x 40	125 x 40	160 x 50	200 x 50
Max. load at 4 km/h	kg	120	180	180	200	200	350	400
Overall height	mm	100	125	128	155	158	190	235
Screw hole spacing	mm	80 x 60	80 x 60	105 x 75 - 80	80 x 60	105 x 75 - 80	105 x 80	105 x 80
Screw hole diameter	mm	9	9	11	9	11	11	11
Hub length / bore	mm	40 / 12	41 / 12	41 / 12	41 / 15	50 / 20	60 / 20	60 / 20
1 swivel castor	Offset	mm	33	36	45	36	48	52
	Plate dimensions	mm	105 x 85	105 x 80	135 x 105	105 x 80	135 x 105	135 x 110
	Ref.	969 199-2G	969 203-2G	969 208-2G	969 212-2G	969 217-2G	969 221-2G	969 226-2G
	€	21,90	20,90	25,90	29,90	31,90	49,90	54,90
2 swivel castor with double stop	Offset	mm	33	36	45	36	48	52
	Plate dimensions	mm	105 x 85	105 x 80	135 x 105	105 x 80	135 x 105	135 x 110
	Ref.	969 200-2G	969 204-2G	969 209-2G	969 213-2G	969 218-2G	969 223-2G	969 227-2G
	€	26,90	25,90	34,90	34,90	36,90	52,90	64,90
3 fixed castor	Plate dimensions	mm	105 x 85	105 x 80	135 x 110	105 x 80	135 x 110	135 x 110
	Ref.	969 201-2G	969 205-2G	969 210-2G	969 215-2G	969 219-2G	969 224-2G	969 228-2G
	€	20,90	18,49	24,90	28,90	29,90	42,90	52,90
Wheels	Ref.	969 202-2G	969 207-2G	969 207-2G	969 216-2G	969 220-2G	969 225-2G	969 229-2G
	€	17,49	14,49	14,49	20,90	21,90	31,90	34,90

YELLOW = 7 working days

FREE DELIVERY
SALES FAX: 1 800 677 301 (local rate)

KAISER + KRAFT
EVERYTHING FOR THE BUSINESS.