

Solid rubber tyres



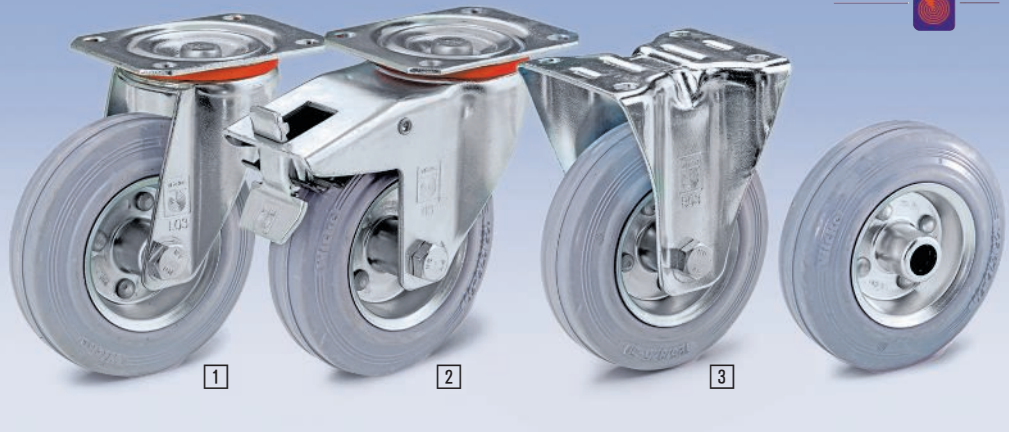
On sheet steel rim

- For light to medium duty requirements
- Temperature resistant from -5 °C to +60 °C
- Hardness 85 ±3 Shore A

Zinc plated, blue passivated sheet steel housing, swivel bearing with double ball race, swivel bearing protection, rims made of sheet steel, bright zinc plated. **Roller bearings.**

Also available as electrically conductive models on request.

Wheel Ø x width	mm	80 x 25	100 x 30	125 x 38	160 x 40	200 x 50	250 x 60	280 x 70	380 x 80		
Max. load at 4 km/h	kg	50	70	100	135	205	295	385	350		
Overall height	mm	100	125	155	200	240	295	320	-		
Screw hole diameter	mm	9	9	9	11	11	15	15	-		
Hub length / bore	mm	40 / 12	40 / 12	50 / 15	58 / 20	58 / 20	65 / 25	75 / 25	88 / 25		
1 swivel castor		Offset	mm	36	38	38	55	55	67	78	
		Plate dimensions	mm	105 x 80	105 x 80	105 x 80	137 x 105	137 x 105	175 x 175	175 x 175	
		Screw hole spacing	mm	76 - 80 x 60	76 - 80 x 60	76 - 80 x 60	105 x 75 - 80	105 x 75 - 80	140 x 140	140 x 140	
		Ref.		969 235-2G	969 239-2G	969 243-2G	969 268-2G	969 272-2G	191 248-2G	191 264-2G	
		€		11,95	9,19	16,49	18,49	25,90	87,90	109,-	
2 swivel castor with double stop		Offset	mm	36	38	38	55	55	67	78	
		Plate dimensions	mm	105 x 80	105 x 80	105 x 80	137 x 105	137 x 105	175 x 175	175 x 175	
		Screw hole spacing	mm	76 - 80 x 60	76 - 80 x 60	76 - 80 x 60	105 x 75 - 80	105 x 75 - 80	140 x 140	140 x 140	
		Ref.		969 236-2G	969 240-2G	969 244-2G	969 269-2G	969 274-2G	751 731-2G	751 758-2G	
		€		16,49	21,90	21,90	29,90	28,90	97,90	119,-	
3 fixed castor		Plate dimensions	mm	102 x 87	102 x 87	102 x 87	137 x 115	137 x 115	220 x 120	220 x 120	
		Screw hole spacing	mm	76 - 80 x 60	76 - 80 x 60	76 - 80 x 60	105 x 75 - 80	105 x 75 - 80	190 x 75	190 x 75	
		Ref.		969 237-2G	969 241-2G	969 245-2G	969 270-2G	969 275-2G	190 861-2G	190 896-2G	
		€		9,19	10,49	11,95	16,49	18,49	62,90	79,90	
Wheels		Ref.		969 238-2G	969 242-2G	969 246-2G	969 271-2G	969 276-2G	191 345-2G	191 361-2G	751 766-2G
		€		5,99	5,99	6,99	9,19	10,49	31,90	57,90	62,90



Solid rubber tyres, non-marking



On sheet steel rim

- No annoying black marks on flooring
- Very quiet on hard floors
- Hardness 82 ±3 Shore A
- Temperature resistant from -5 °C to +60 °C



Housing and rims made of zinc plated sheet steel, swivel bearing with sealed double-ball race.

Roller bearing.

Set offers **ONLINE!**

Wheel Ø x width	mm	80 x 25	100 x 30	125 x 38	160 x 40	200 x 50		
Max. load at 4 km/h	kg	50	70	100	135	205		
Overall height	mm	100	125	155	190	235		
Screw hole spacing	mm	76 - 80 x 60	76 - 80 x 60	76 - 80 x 60	105 x 75 - 80	105 x 75 - 80		
Screw hole diameter	mm	9	9	9	11	11		
Hub length / bore	mm	40 / 12	40 / 12	50 / 15	60 / 20	60 / 20		
1 swivel castor		Offset	mm	36	38	38	52	54
		Plate dimensions	mm	105 x 80	105 x 80	105 x 80	135 x 110	135 x 110
		Ref.		957 747-2G	957 755-2G	957 763-2G	957 771-2G	957 780-2G
		€		16,49	11,95	14,49	28,90	35,90
2 swivel castor with double stop		Offset	mm	36	38	38	52	54
		Plate dimensions	mm	105 x 80	105 x 80	105 x 80	135 x 110	135 x 110
		Ref.		957 810-2G	957 828-2G	957 836-2G	957 844-2G	957 852-2G
		€		23,90	23,90	21,90	42,90	45,90
3 fixed castor		Plate dimensions	mm	102 x 87	102 x 87	102 x 87	135 x 114	135 x 114
		Ref.		957 984-2G	957 992-2G	958 000-2G	958 018-2G	958 026-2G
		€		14,49	14,49	19,49	34,90	30,90
Wheels		Ref.		958 107-2G	958 115-2G	958 123-2G	958 131-2G	958 140-2G
		€		5,99	6,99	11,95	18,49	18,49

BLUE = 14 working days