

## Site safety

### Barrier fencing

Pages 759 – 770

### Safety marking

Page 771

### Warning and safety strips

Pages 772 – 774

### Floor marking systems

Pages 775 – 776

### Crash protection and safety railing

Pages 777 – 787

### Speed ramps and cable ducts

Pages 788 – 790

### Mirrors

Pages 791 – 794

### Barrier posts

Pages 795 – 797

### Parking barriers and boom gates

Pages 798 – 799

### Winter service equipment

Pages 800 – 802

## Outdoor equipment

### Letter boxes

Page 803

### Benches and pedestal tables

Pages 804 – 805

### Bicycle racks

Pages 806 – 807

### Shelters

Pages 808 – 812

## Prefab offices

### Mezzanine floors

Page 813

### Containers

Pages 814 – 815

### Protective fencing and machine protective fencing

Pages 816 – 819

### Prefab offices and partition systems

Pages 820 – 827



2

1



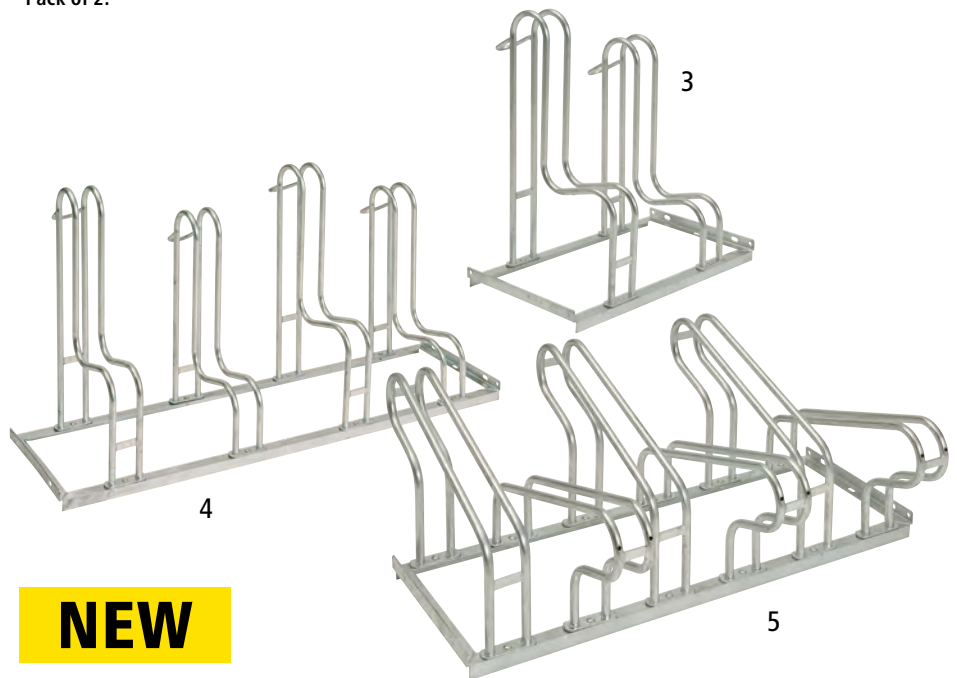
Pack of 2.

## 1–2 | Collapsible traffic cones

- Ready for immediate use
- Highly effective warning effect due to reflective strips
- Space saving storage

Colour: orange. Material: plastic. Pack of: 2.

		1	2
Overall height	mm	450	700
Diameter	mm	25 x 25	31 x 31
Weight	kg	1.2	2.2
Weight per item	kg	0.6	1.1
	Ref.	489 957 6F	489 958 6F
	£ / pack	20.90	37.90



**NEW**

## 3–5 | Bicycle racks, hot dip galvanised

- Made of hot dip galvanised steel
- Suitable for tyre widths up to 55 mm
- Ideal for connection in rows and floor mounting

Material: steel. Finish: hot dip galvanised. Wheel spacing: 350 mm. Tyre width up to: 55 mm. Colour: hot dip galvanised. Tube diameter: 18 mm.

		3	4	5
Parking spaces	pcs.	2	4	6
Overall height	mm	735	735	400
Overall width	mm	700	1400	1050
Overall depth	mm	465	465	695
Bicycle parking		single sided	single sided	double sided
	Ref.	560 415 6F	560 416 6F	560 414 6F
	£	62.90	115.00	92.90

More bicycle racks can be found on pages 806, 807.