

## Wheels and castors

<b>Pallet truck replacement wheels</b>	
Page	140
<b>Chair castors</b>	
Page	141
<b>Light duty castors</b>	
Pages	141 – 143
<b>Transport castors</b>	
Pages	144 – 149
<b>Heavy duty castors</b>	
Pages	151 - 153
<b>Pneumatic tyres</b>	
Page	150
<b>Ball bearing races</b>	
Page	150
<b>Stainless steel rollers</b>	
Page	143
<b>Quiet castors</b>	
Page	151

## What you need to know

### What you can expect from us

- Highly advanced, computer-controlled wheel and castor inventory
- Over 70000 wheels and castors always in stock
- All wheels and castors comply with EN 12527 – EN 12533
- Competent help and advice – our contact information can be found at the front of the catalogue

### Load bearing capacity

The specified max. load is applicable for a max. speed of 4 km/h.

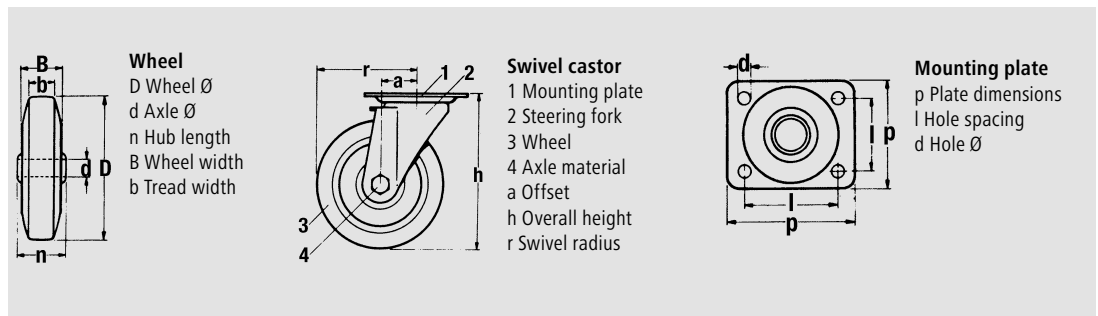
To determine the required max. load per castor for 4 wheeled transport equipment, the total load should be divided by 3 to account for instances where the load will not be equally distributed on all 4 wheels (e.g. uneven floors or unevenly distributed loads).

Respective max. load reserves should be observed for potholes, door thresholds etc.

**Required max. load per castor for 4 castors =**

$$\frac{\text{weight of device} + \text{max. load}}{3}$$

More models and our detailed shopping guide can be found in our webshop.



## Steering wheels

- Cannot be cut by metal chippings
- Resistant to many types of corrosive media
- With wheel hub cover up to 53 mm installation length

Roller width: 50 mm. Roller bearing: ball bearing.  
 Temperature resistance: -20 °C to +80 °C. Material of rim: aluminium.



Roller Ø	mm	170	180	200	200	200	200	200
Axle Ø	mm	20	20	20	25	25	25	20
Installation length	mm	53	37	54	47	50	55	54
Design of wheel rims		spoke rim	honeycomb rim	honeycomb rim	honeycomb rim	honeycomb rim	honeycomb rim	honeycomb rim
<b>Wheel material</b>								
polyurethane	Ref. ▶759 563 3H	▶759 565 3H		▶759 567 3H	▶759 568 3H	▶759 752 3H	▶759 569 3H	
	£	62.00	68.00	73.00	62.00	68.00	57.00	
solid rubber	Ref. ▶759 549 3H	▶759 551 3H	▶759 556 3H	▶759 553 3H	▶759 555 3H	▶759 558 3H		
	£	46.00	50.00	44.00	46.00	45.00	50.00	

## Fork rollers, nylon

- With metal core
- 2 precision ball bearings
- Particularly high quality design

Other dimensions and qualities available on request, please specify installation length and axle Ø.

Roller bearing: precision ball bearing.  
 Temperature resistance: -20 °C to +80 °C.



Roller Ø	mm	75	75	82	82	82	82	82	82	82	82	82	82	85
Roller width	mm	75	95	54	60	60	66	70	75	75	75	91	100	86.5
Axle Ø	mm	20	20	20	15	20	20	20	17	20	20	20	20	17
Installation length	mm	75	98	64	64	64	71	74	77	78	82	96	104	88.5
<b>Wheel material</b>														
nylon	Ref. ▶759 494 3H	▶759 531 3H	▶759 479 3H	▶759 476 3H	▶759 483 3H	▶759 487 3H	▶759 491 3H	▶759 502 3H	▶759 506 3H	▶759 513 3H	▶759 527 3H	▶759 541 3H		
	£	22.50	31.50	31.50	31.50	33.00	33.00	33.00	33.00	33.00	33.00	51.00		
polyurethane	Ref. ▶759 496 3H	▶759 533 3H	▶759 480 3H	▶759 478 3H	▶759 485 3H	▶759 489 3H	▶759 492 3H	▶759 505 3H	▶759 507 3H	▶759 514 3H	▶759 529 3H	▶759 542 3H	▶759 521 3H	
	£	37.00	44.00	44.00	44.00	45.00	45.00	45.00	45.00	45.00	45.00	47.00	45.00	