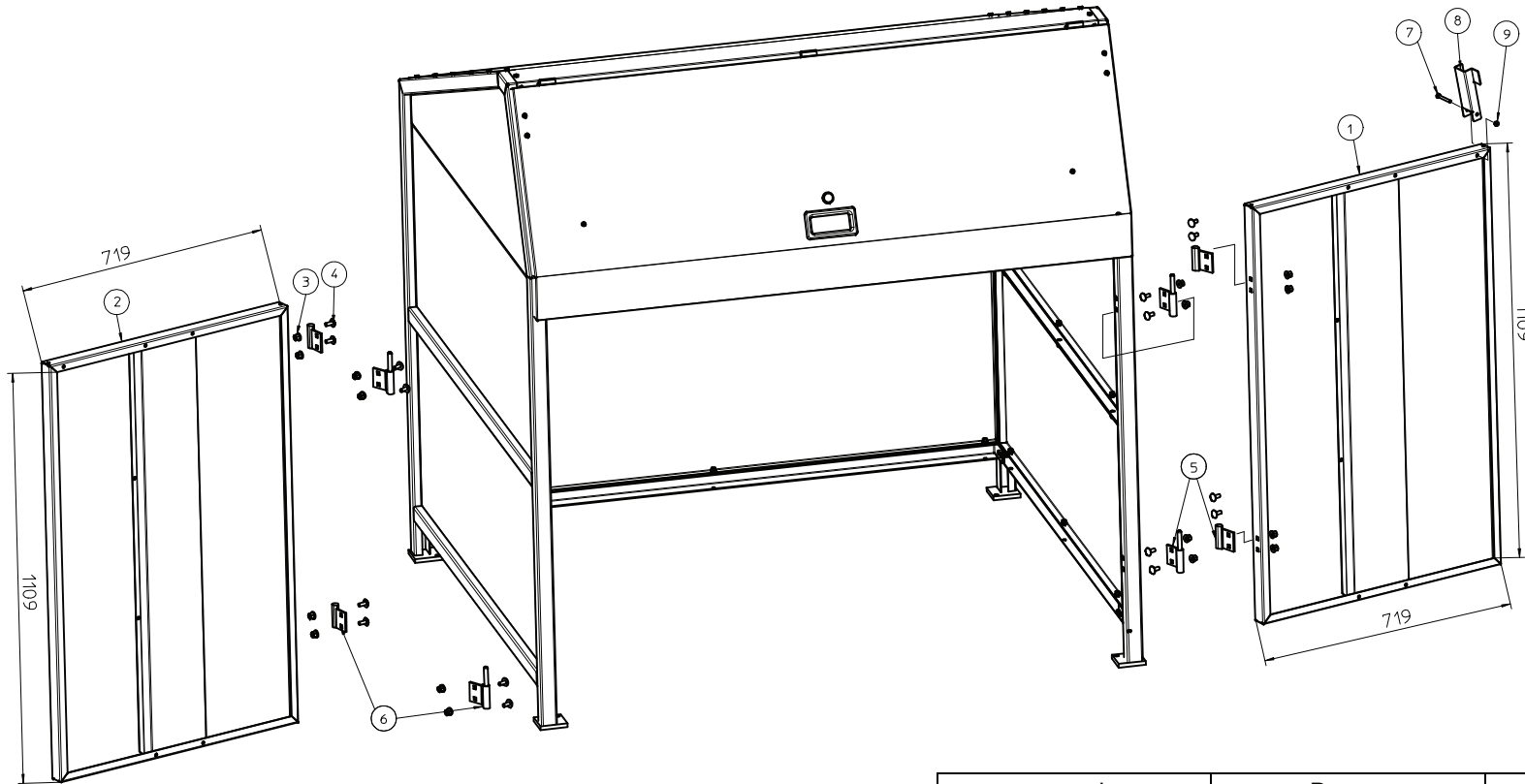


D

# SECOMAT Modell S 1100 M3 Türen



|      |   |          |      |
|------|---|----------|------|
| Pos. | 1 | R        | 1 x  |
| Pos. | 2 | L        | 1 x  |
| Pos. | 3 | M 8      | 16 x |
| Pos. | 4 | M 8 x 20 | 16 x |
| Pos. | 5 | L        | 2 x  |
| Pos. | 6 | R        | 2 x  |
| Pos. | 7 | M 6 x 50 | 1 x  |
| Pos. | 8 |          | 1 x  |
| Pos. | 9 | M 6      | 1 x  |

|         |       |         |       |
|---------|-------|---------|-------|
| gepackt | Datum | geprüft | Datum |
|         |       |         |       |

|       |             |           |
|-------|-------------|-----------|
| Kom.: | Serien-Nr.: | AB-Nummer |
|       |             |           |

T:\CE\Montageanleitung\Secomat1100\S1100+Tueren\_M3 Stand 10/2006-nb

Bauer GmbH  
Eichendorffstraße 62  
DE-46354 Südlohn

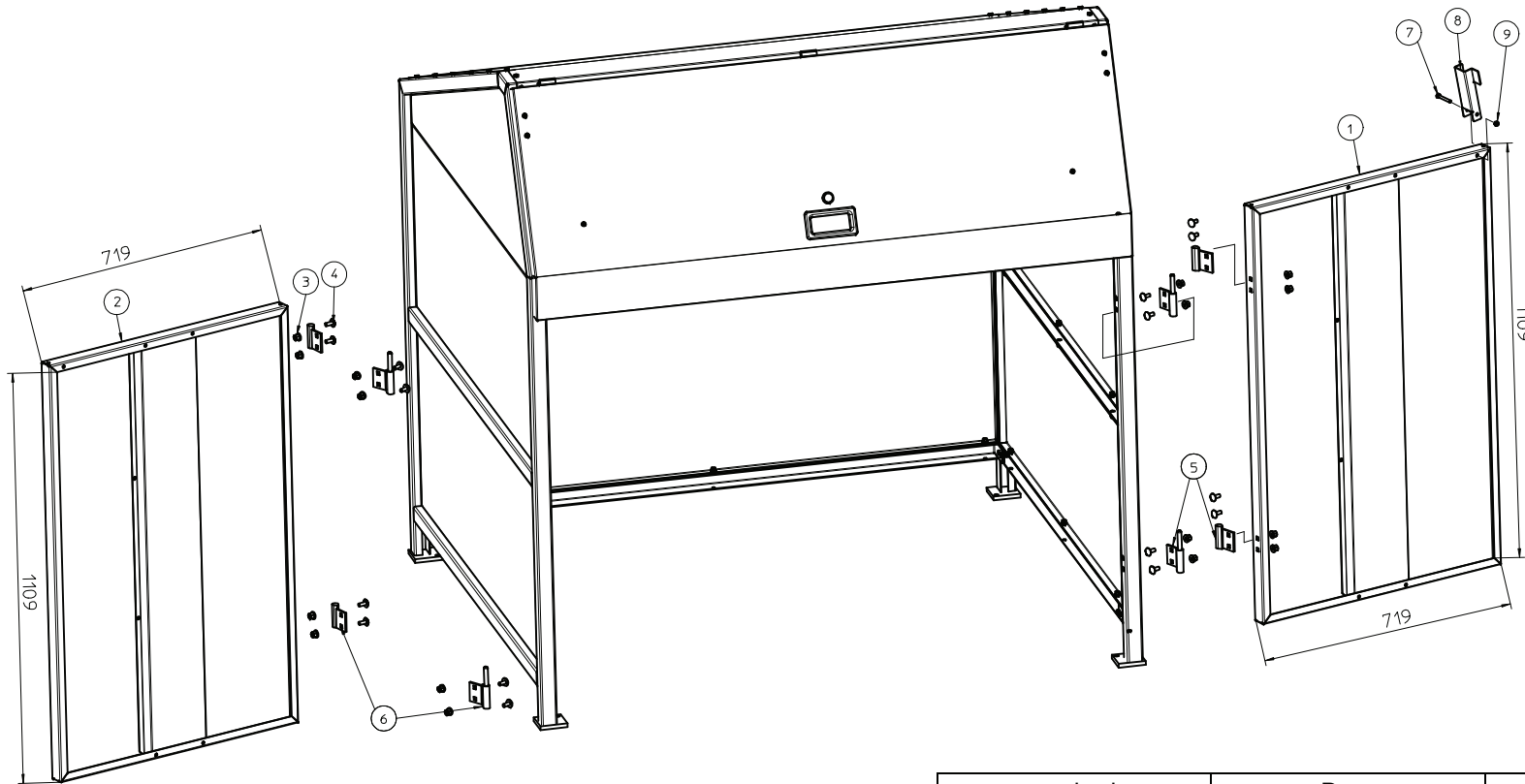
Tel. +49 (0) 2862 709-0  
Fax +49 (0) 2862 709-155 /-156  
E-Mail: [info@bauer-suedlohn.de](mailto:info@bauer-suedlohn.de)  
Website: [www.bauer-suedlohn.de](http://www.bauer-suedlohn.de)

Geschäftsführer:  
Heinz Dieter Bauer  
Patrick Bauer  
Amtsgericht Coesfeld HRB 5259



GB

# SECOMAT Model S 1100 M3 Doors



|      |   |          |      |
|------|---|----------|------|
| Pos. | 1 | R        | 1 x  |
| Pos. | 2 | L        | 1 x  |
| Pos. | 3 | M 8      | 16 x |
| Pos. | 4 | M 8 x 20 | 16 x |
| Pos. | 5 | L        | 2 x  |
| Pos. | 6 | R        | 2 x  |
| Pos. | 7 | M 6 x 50 | 1 x  |
| Pos. | 8 |          | 1 x  |
| Pos. | 9 | M 6      | 1 x  |

|        |      |         |      |
|--------|------|---------|------|
| packed | Date | checked | Date |
|        |      |         |      |

|           |             |            |
|-----------|-------------|------------|
| Commision | Serial-Nr.: | Order-Nr.: |
|           |             |            |

T:\CE\Montageanleitung\Secomat1100\S1100+Tueren\_M3 Stand 10/2006-nb

Bauer GmbH  
Eichendorffstraße 62  
DE-46354 Südlohn

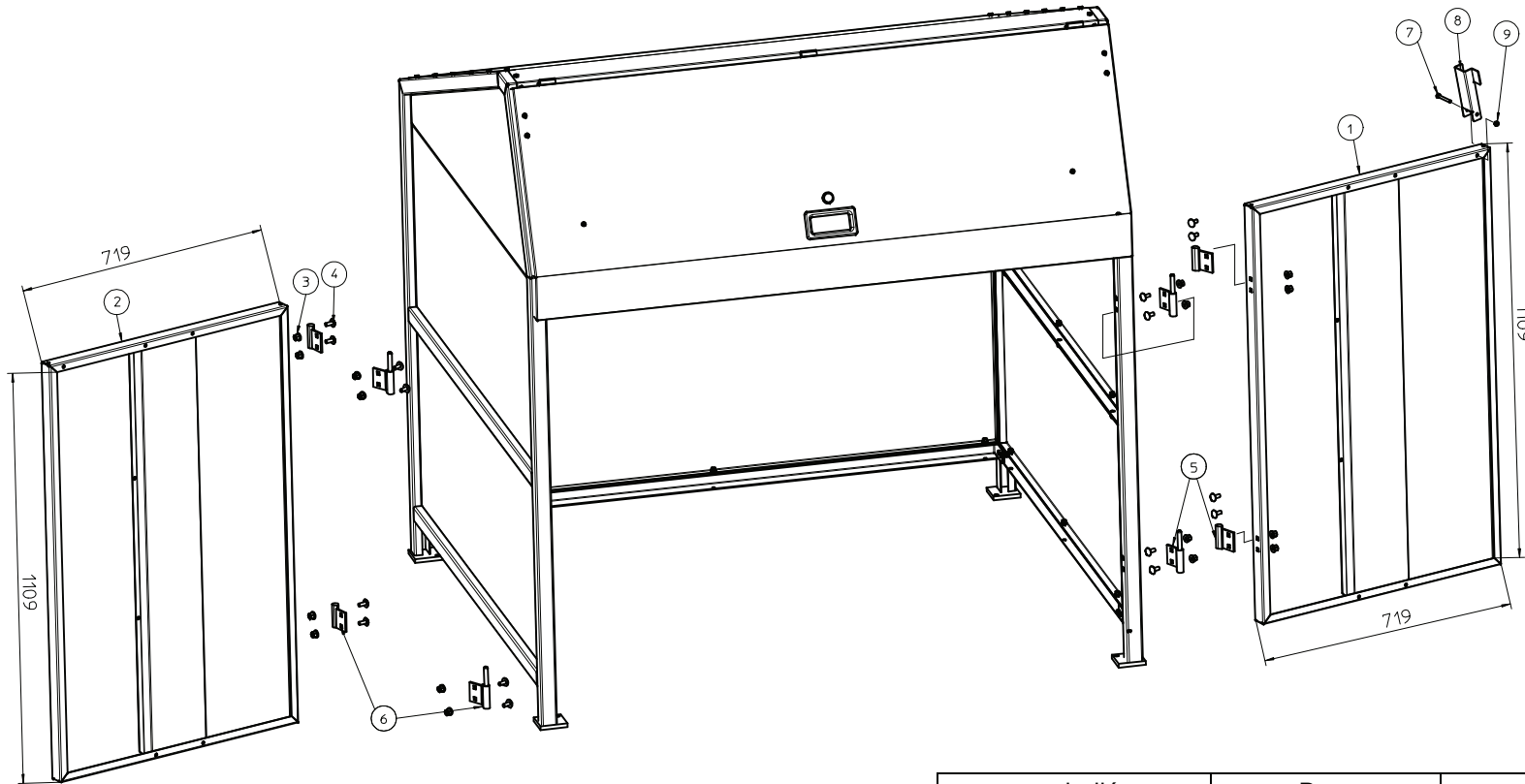
Tel. +49 (0) 2862 709-0  
Fax +49 (0) 2862 709-155 /-156  
E-Mail: [info@bauer-suedlohn.de](mailto:info@bauer-suedlohn.de)  
Website: [www.bauer-suedlohn.de](http://www.bauer-suedlohn.de)

Geschäftsführer:  
Heinz Dieter Bauer  
Patrick Bauer  
Amtsgericht Coesfeld HRB 5259



F

# SECOMAT Modèle S 1100 M3 Portes



|      |   |          |      |
|------|---|----------|------|
| Pos. | 1 | R        | 1 x  |
| Pos. | 2 | L        | 1 x  |
| Pos. | 3 | M 8      | 16 x |
| Pos. | 4 | M 8 x 20 | 16 x |
| Pos. | 5 | L        | 2 x  |
| Pos. | 6 | R        | 2 x  |
| Pos. | 7 | M 6 x 50 | 1 x  |
| Pos. | 8 |          | 1 x  |
| Pos. | 9 | M 6      | 1 x  |

|         |      |         |      |
|---------|------|---------|------|
| emballé | Date | vérifié | Date |
|         |      |         |      |

|            |                 |                                    |
|------------|-----------------|------------------------------------|
| Commission | Numéro de série | Numéro de confirmation de commande |
|            |                 |                                    |

T:\CE\Montageanleitung\Secomat1100\S1100+Tueren\_M3 Stand 10/2006-nb

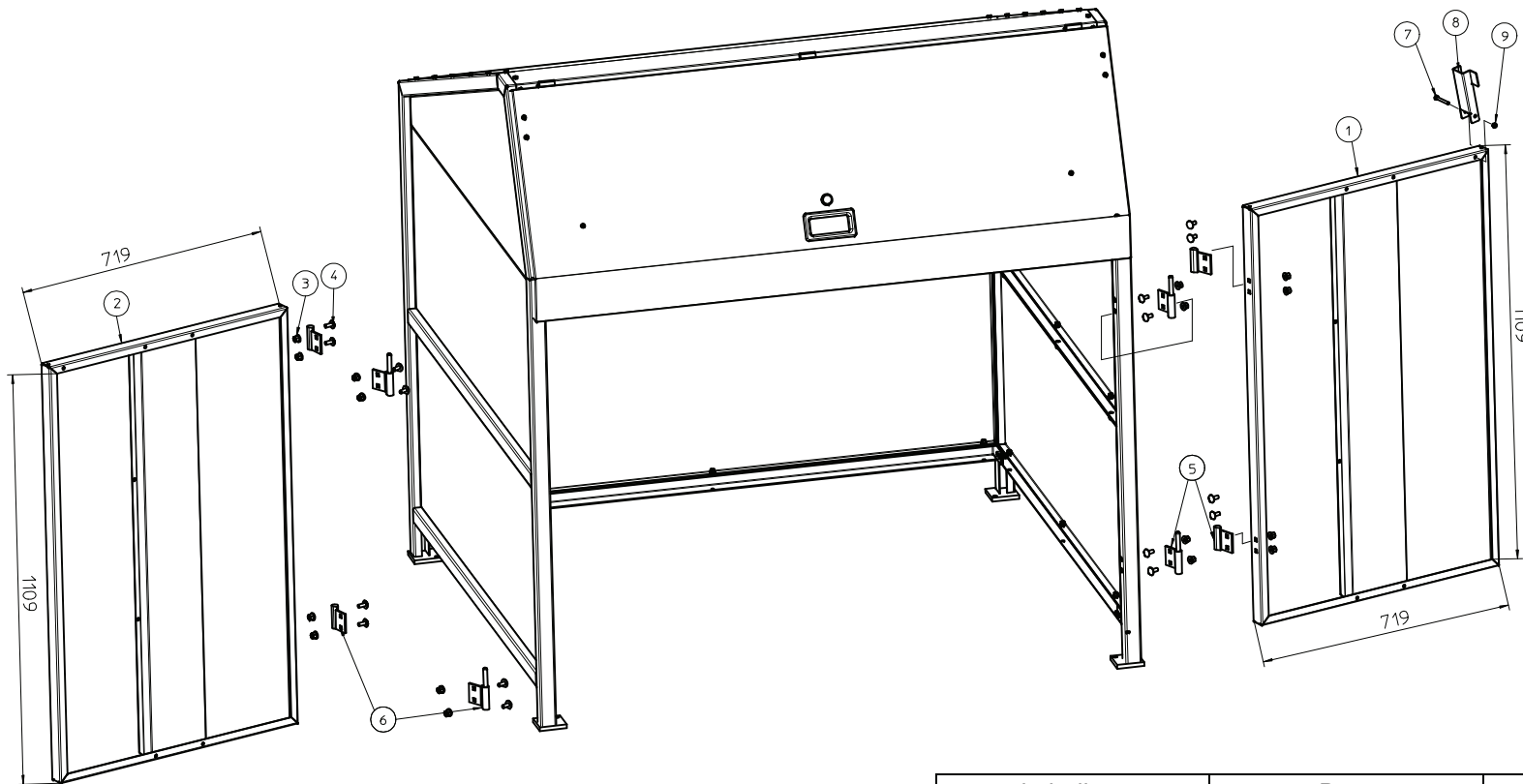
Bauer GmbH  
Eichendorffstraße 62  
DE-46354 Südlohn

Tel. +49 (0) 2862 709-0  
Fax +49 (0) 2862 709-155 /-156  
E-Mail: [info@bauer-suedlohn.de](mailto:info@bauer-suedlohn.de)  
Website: [www.bauer-suedlohn.de](http://www.bauer-suedlohn.de)

Geschäftsführer:  
Heinz Dieter Bauer  
Patrick Bauer  
Amtsgericht Coesfeld HRB 5259



# SECOMAT Modello S 1100 M3 Portelli



|      |   |          |      |
|------|---|----------|------|
| Pos. | 1 | R        | 1 x  |
| Pos. | 2 | L        | 1 x  |
| Pos. | 3 | M 8      | 16 x |
| Pos. | 4 | M 8 x 20 | 16 x |
| Pos. | 5 | L        | 2 x  |
| Pos. | 6 | R        | 2 x  |
| Pos. | 7 | M 6 x 50 | 1 x  |
| Pos. | 8 |          | 1 x  |
| Pos. | 9 | M 6      | 1 x  |

| imballato | Data | controllato | Data |
|-----------|------|-------------|------|
|           |      |             |      |

| Commisione | Di serie-Numero | Ordine-Numero |
|------------|-----------------|---------------|
|            |                 |               |

T:\CE\Montageanleitung\Secomat1100\1100+Tueren\_M3 Stand 10/2006-nb

Bauer GmbH  
Eichendorffstraße 62  
DE-46354 Südlohn

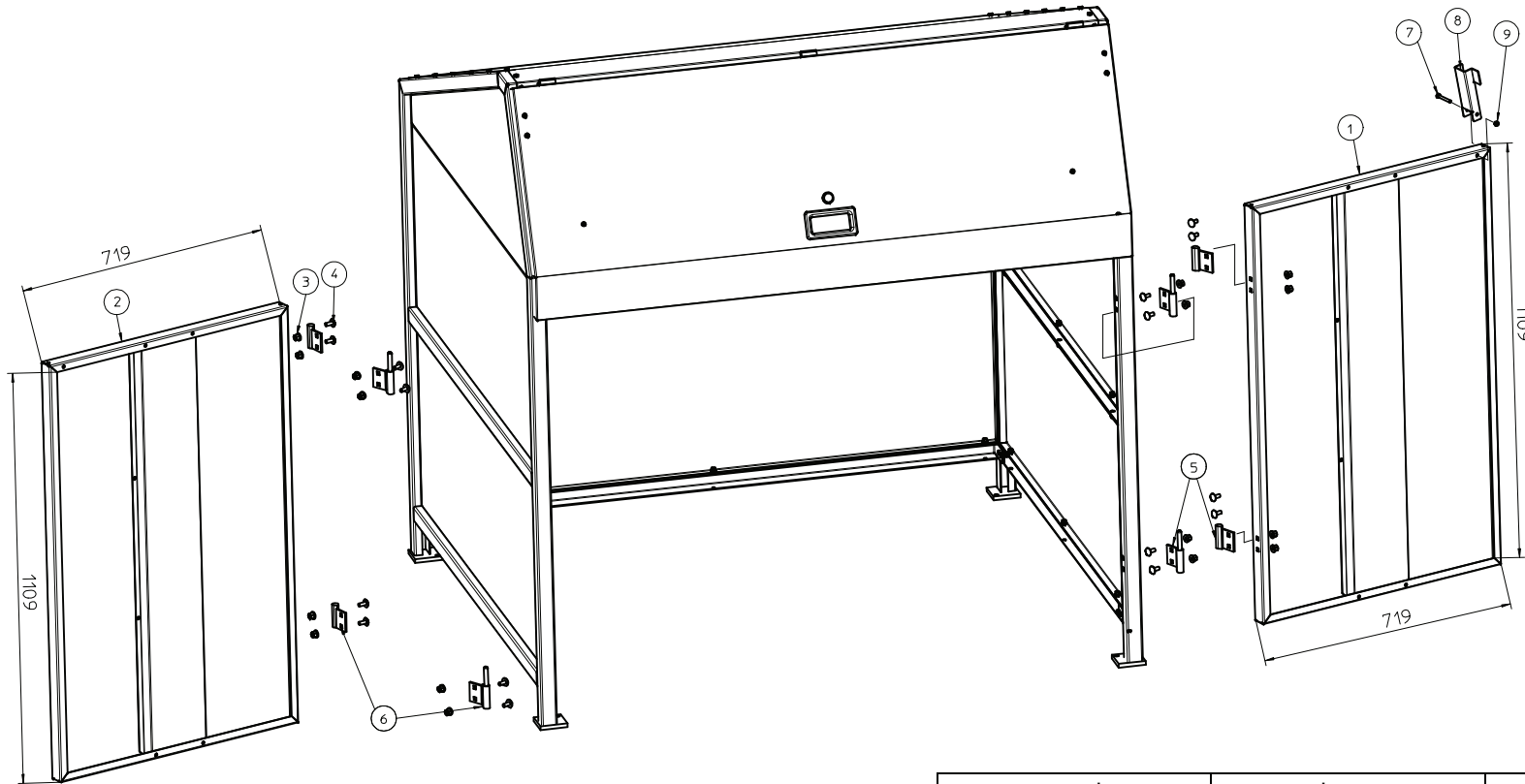
Tel. +49 (0) 2862 709-0  
Fax +49 (0) 2862 709-155 /-156  
E-Mail: [info@bauer-suedlohn.de](mailto:info@bauer-suedlohn.de)  
Website: [www.bauer-suedlohn.de](http://www.bauer-suedlohn.de)

Geschäftsführer:  
Heinz Dieter Bauer  
Patrick Bauer  
Amtsgericht Coesfeld HRB 5259



NL

# SECOMAT Model S 1100 M3 Deuren



|      |   |          |      |
|------|---|----------|------|
| Pos. | 1 | R        | 1 x  |
| Pos. | 2 | L        | 1 x  |
| Pos. | 3 | M 8      | 16 x |
| Pos. | 4 | M 8 x 20 | 16 x |
| Pos. | 5 | L        | 2 x  |
| Pos. | 6 | R        | 2 x  |
| Pos. | 7 | M 6 x 50 | 1 x  |
| Pos. | 8 |          | 1 x  |
| Pos. | 9 | M 6      | 1 x  |

|         |       |         |       |
|---------|-------|---------|-------|
| verpakt | datum | gekeurd | datum |
|         |       |         |       |

|           |            |           |
|-----------|------------|-----------|
| Commissie | Serie-Nr.: | Order-Nr. |
|           |            |           |

T:\CE\Montageanleitung\Secomat1100\S1100+Tueren\_M3 Stand 10/2006-nb

Bauer GmbH  
Eichendorffstraße 62  
DE-46354 Südlohn

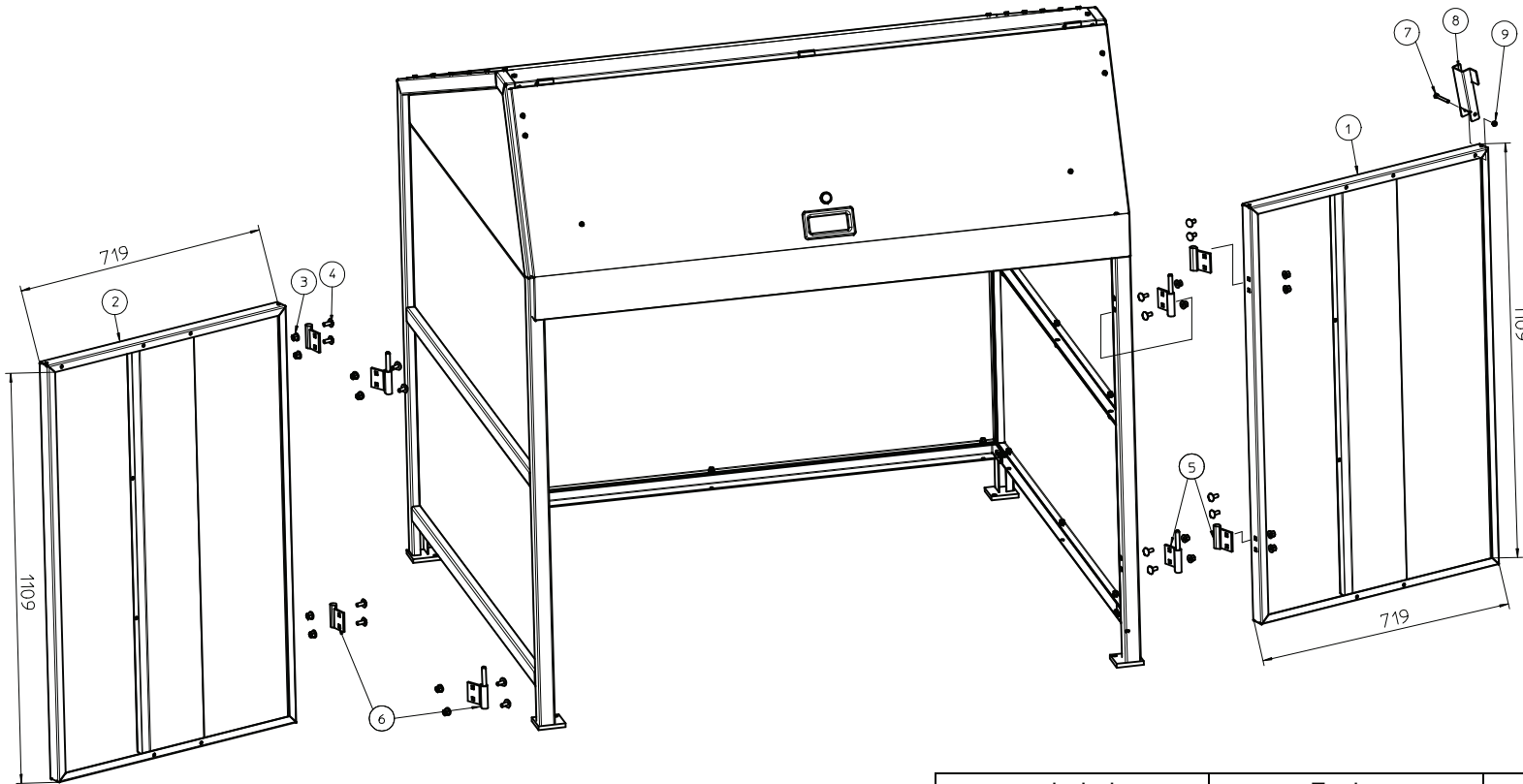
Tel. +49 (0) 2862 709-0  
Fax +49 (0) 2862 709-155 /-156  
E-Mail: [info@bauer-suedlohn.de](mailto:info@bauer-suedlohn.de)  
Website: [www.bauer-suedlohn.de](http://www.bauer-suedlohn.de)

Geschäftsführer:  
Heinz Dieter Bauer  
Patrick Bauer  
Amtsgericht Coesfeld HRB 5259



E

# SECOMAT Modelo S 1100 M3 Puertas



|      |   |          |      |
|------|---|----------|------|
| Pos. | 1 | R        | 1 x  |
| Pos. | 2 | L        | 1 x  |
| Pos. | 3 | M 8      | 16 x |
| Pos. | 4 | M 8 x 20 | 16 x |
| Pos. | 5 | L        | 2 x  |
| Pos. | 6 | R        | 2 x  |
| Pos. | 7 | M 6 x 50 | 1 x  |
| Pos. | 8 |          | 1 x  |
| Pos. | 9 | M 6      | 1 x  |

|          |       |         |       |
|----------|-------|---------|-------|
| embalado | Fecha | geprüft | Fecha |
|          |       |         |       |

|          |                  |                |
|----------|------------------|----------------|
| Comisión | Serial - Numero: | Orden - Numero |
|          |                  |                |

T:\CE\Montageanleitung\Secomat1100\1100+Tueren\_M3 Stand 10/2006-nb

Bauer GmbH  
Eichendorffstraße 62  
DE-46354 Südlohn

Tel. +49 (0) 2862 709-0  
Fax +49 (0) 2862 709-155 /-156  
E-Mail: [info@bauer-suedlohn.de](mailto:info@bauer-suedlohn.de)  
Website: [www.bauer-suedlohn.de](http://www.bauer-suedlohn.de)

Geschäftsführer:  
Heinz Dieter Bauer  
Patrick Bauer  
Amtsgericht Coesfeld HRB 5259

