

European Community Design Registration RCD 000929971



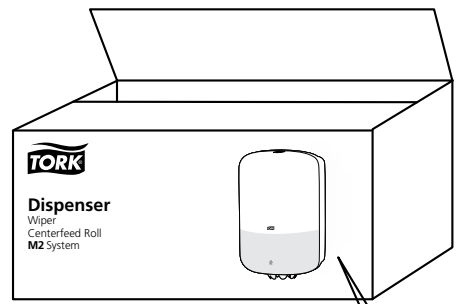
# Dispenser

Wiper

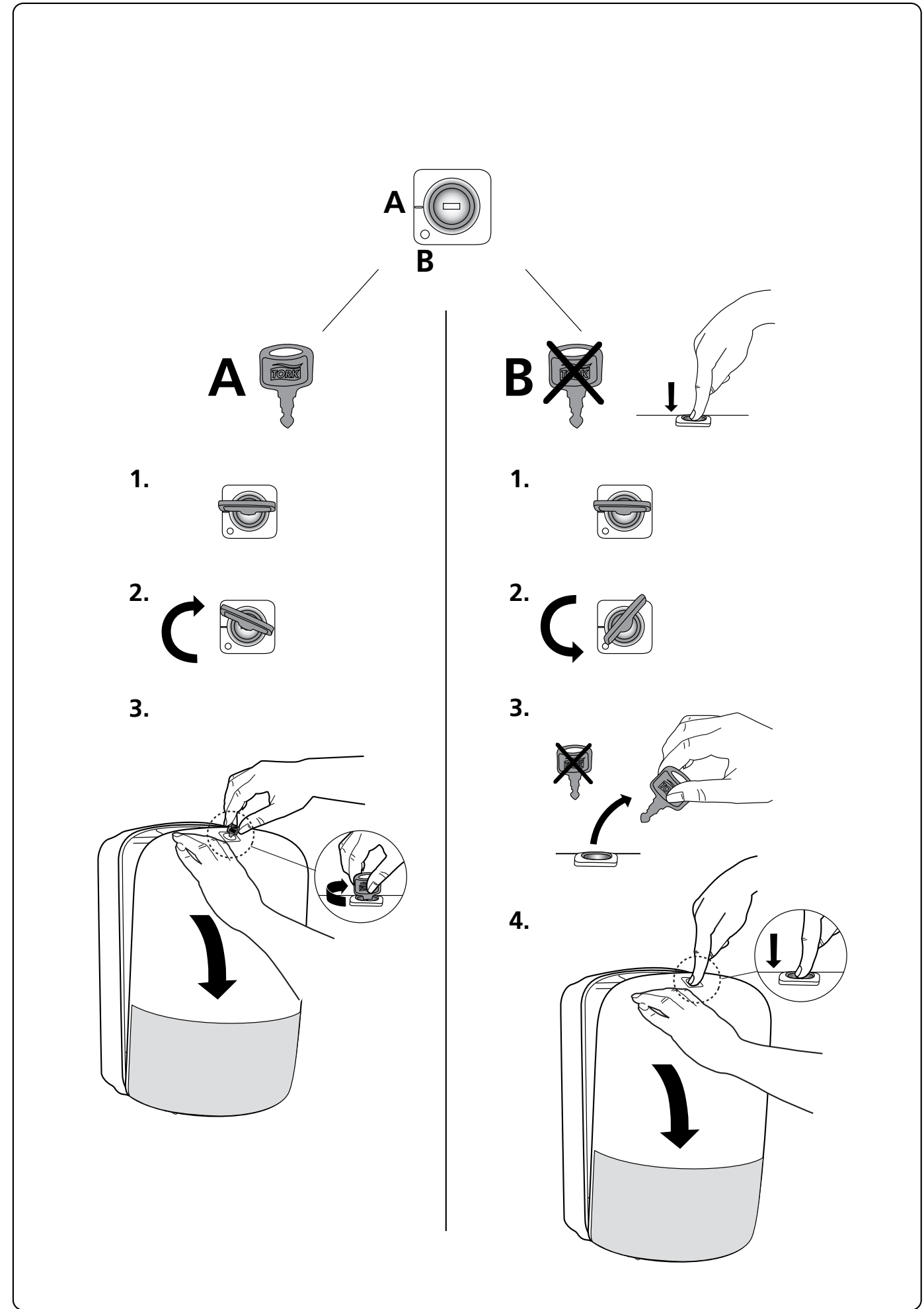
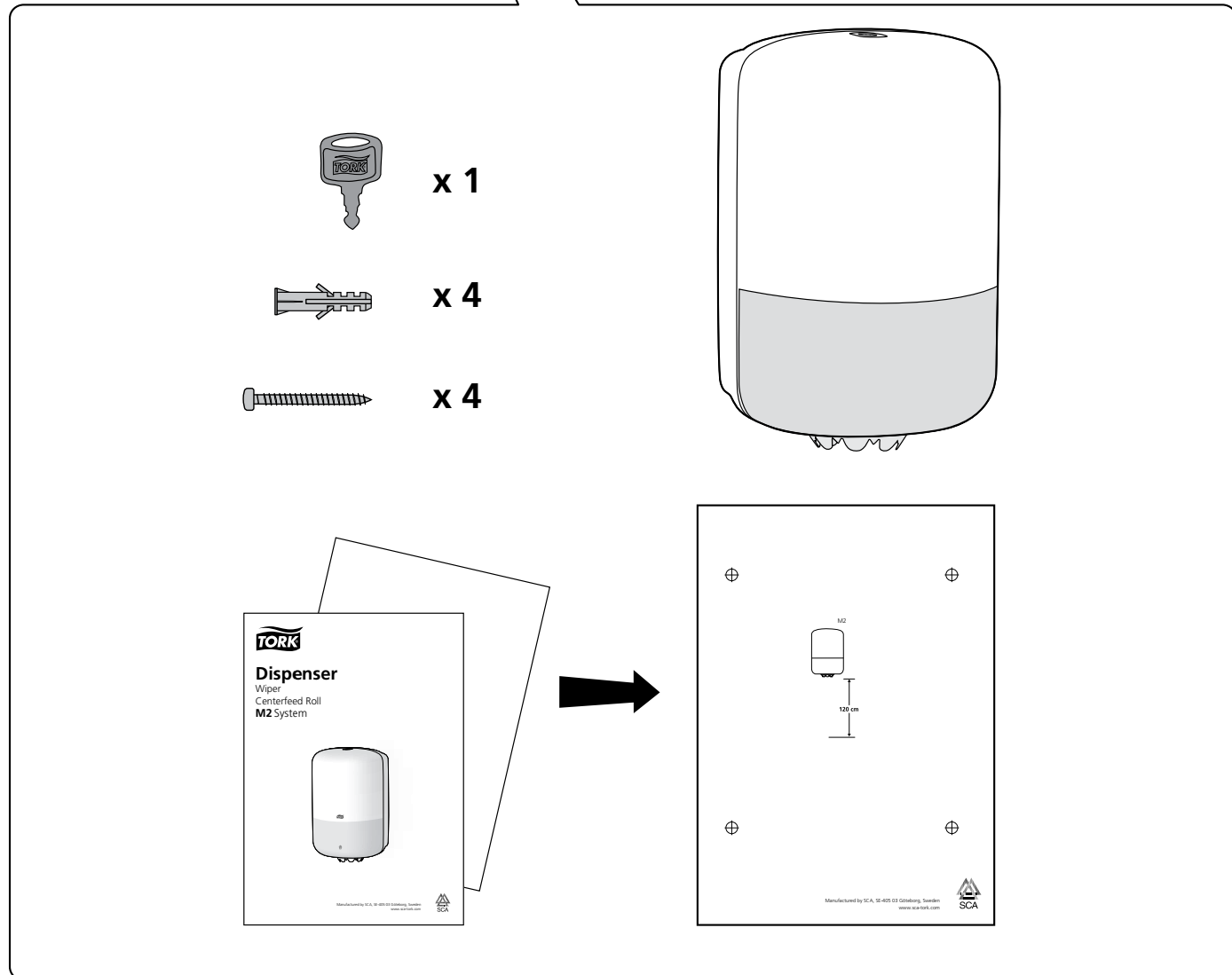
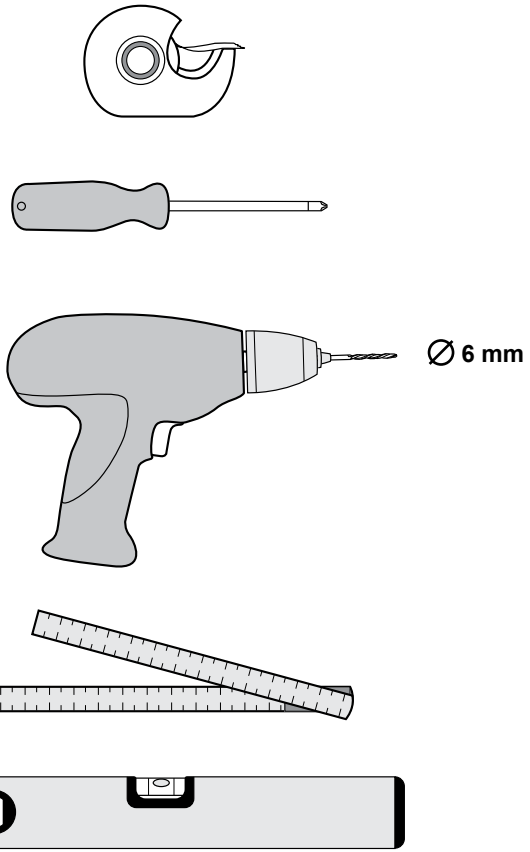
Centerfeed Roll

**M2** System

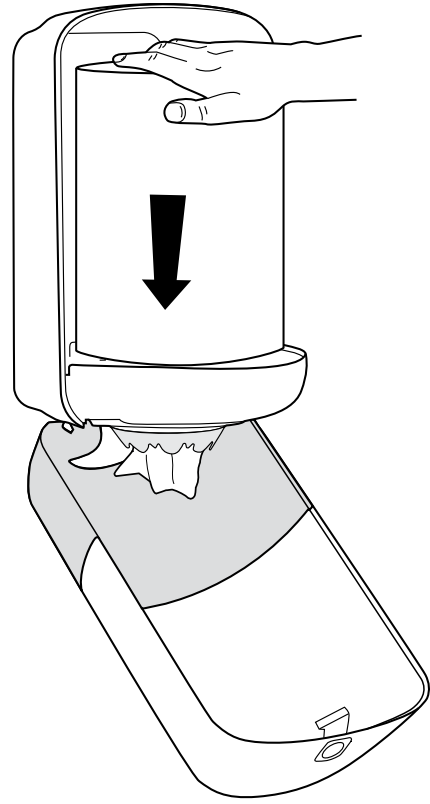




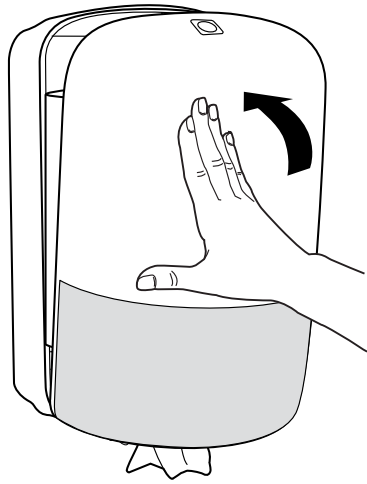
+



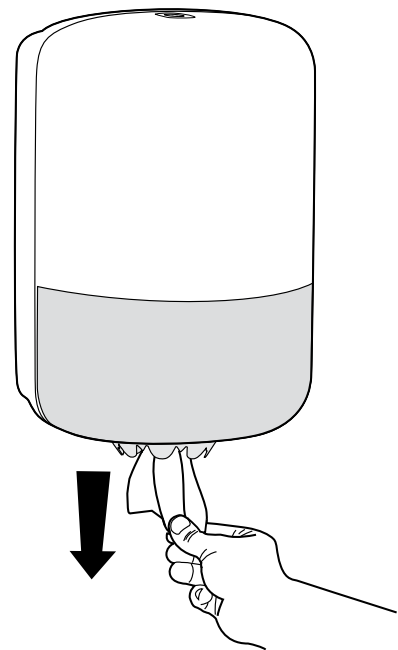
3.



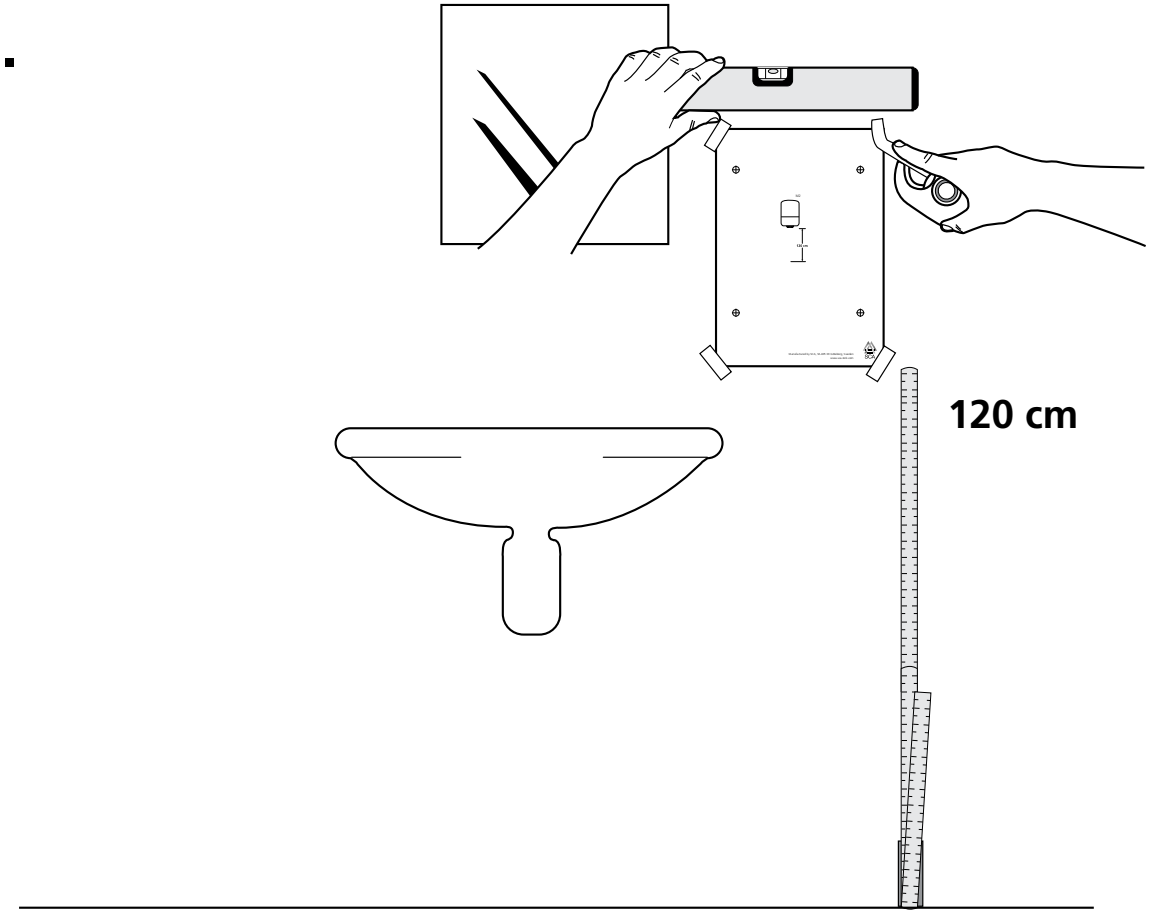
4.



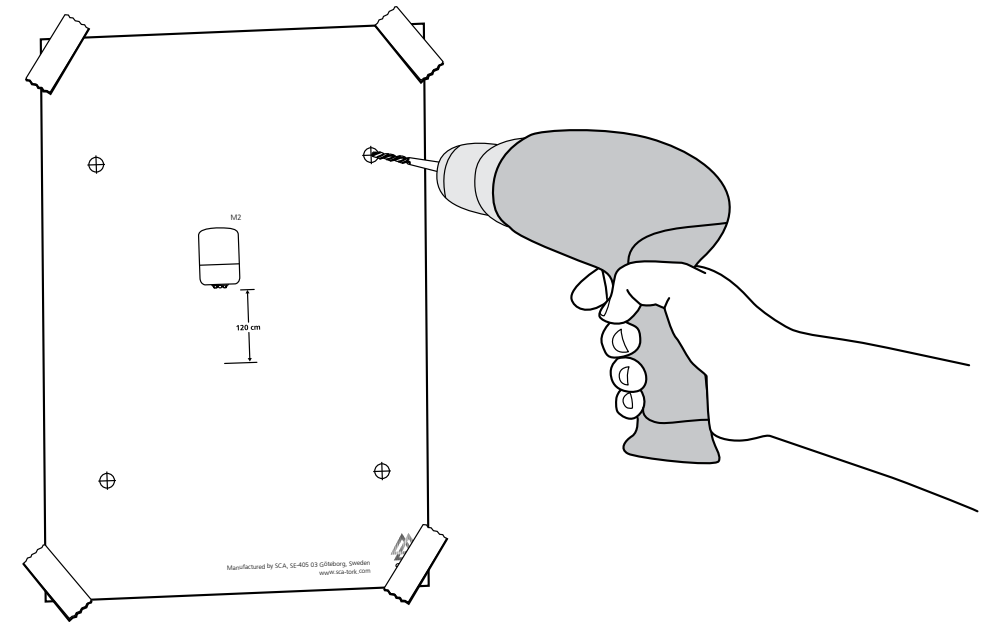
5.





1.

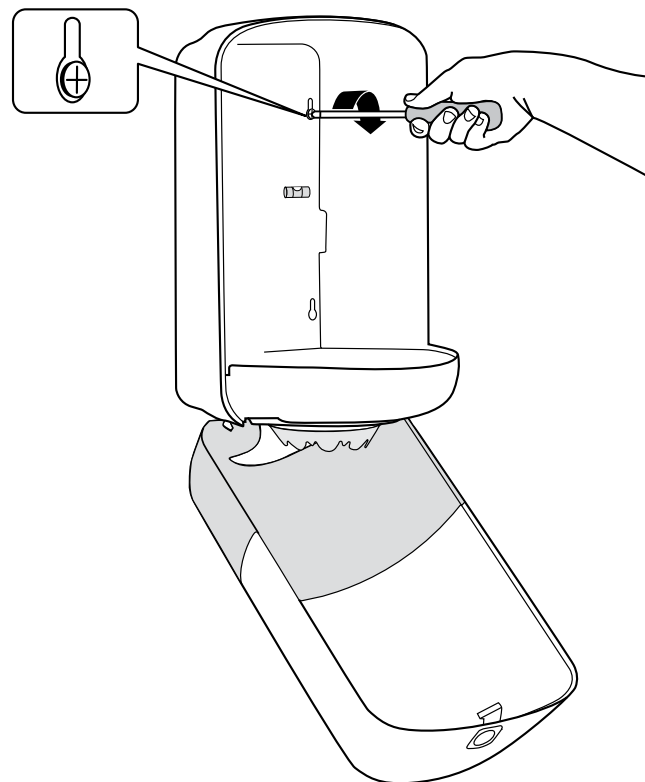


2.

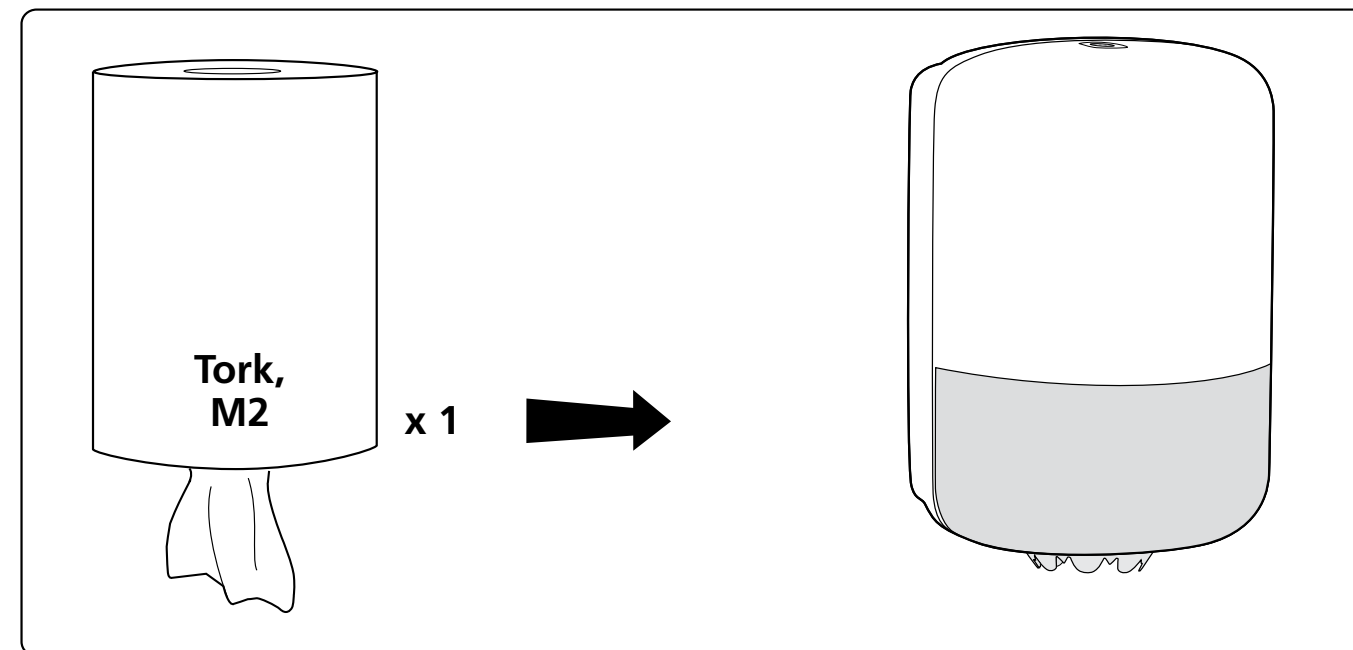
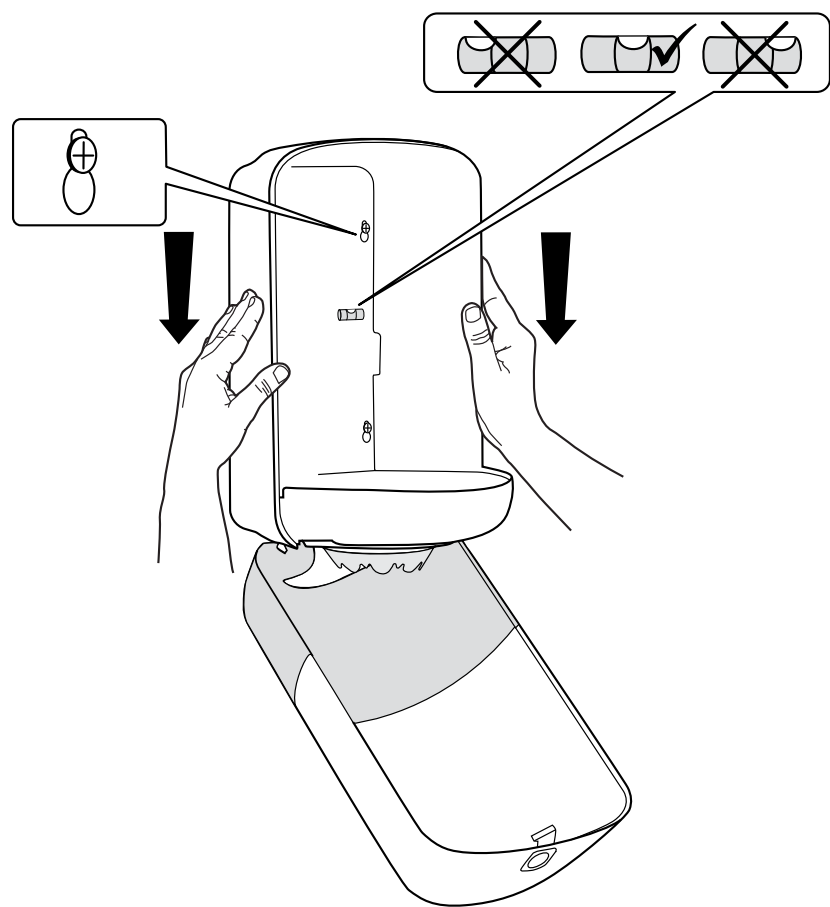


3.

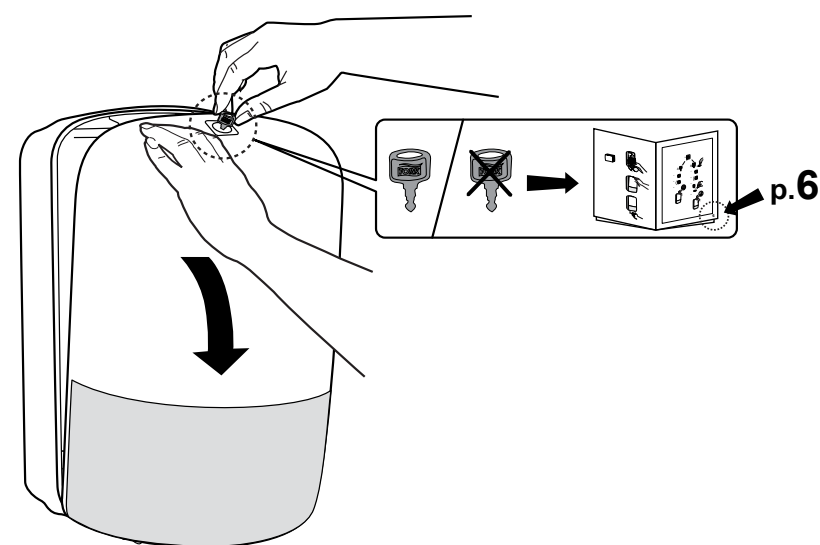
-  x 4
-  x 4



4.



1.



2.

