

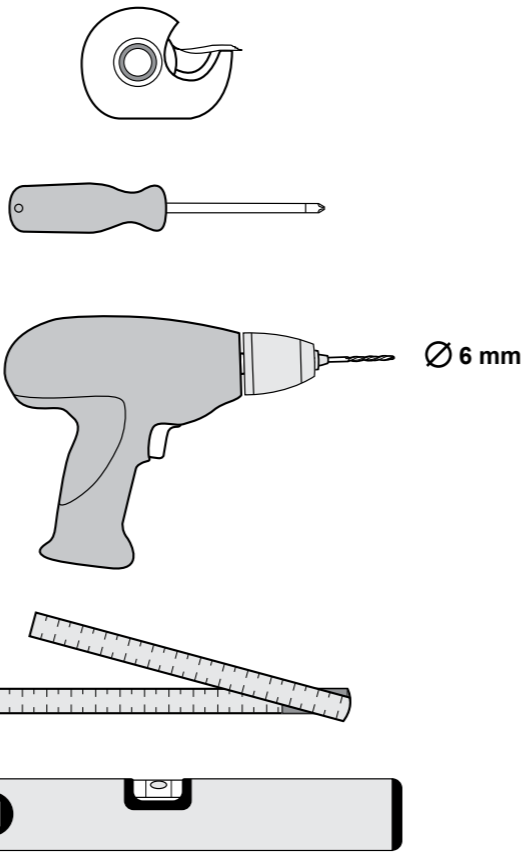
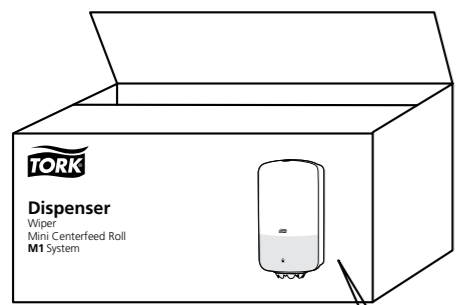
European Community Design Registration RCD 000929971






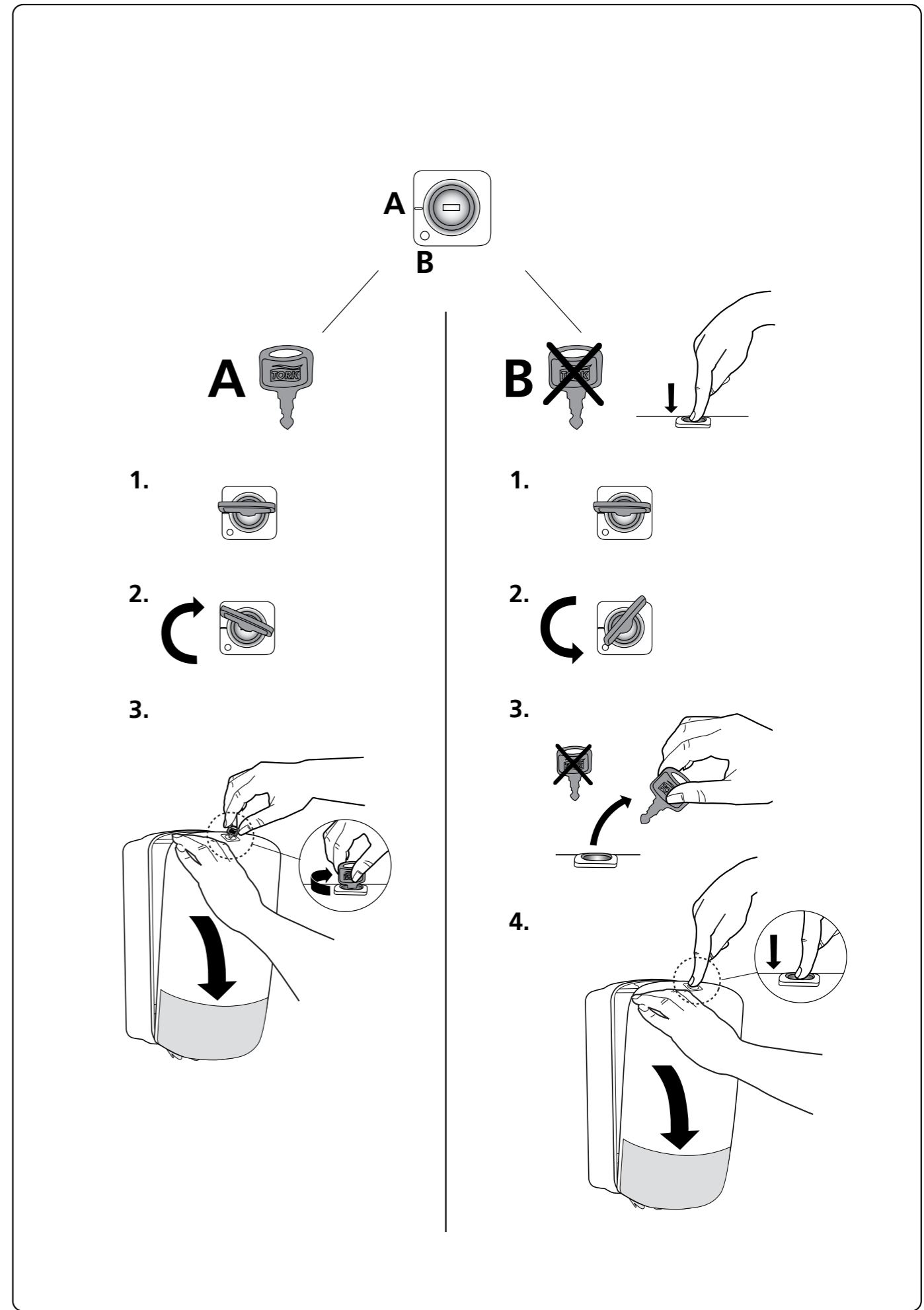
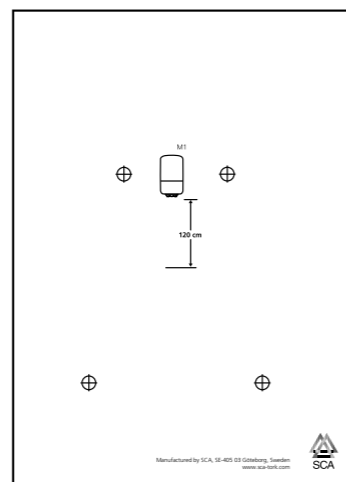
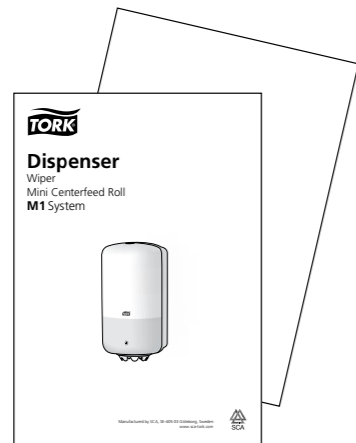
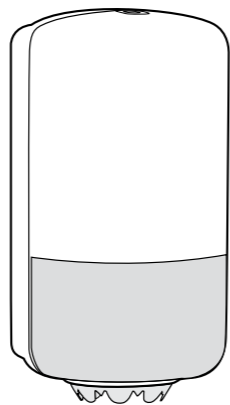
# Dispenser

Wiper  
Mini Centerfeed Roll  
**M1** System

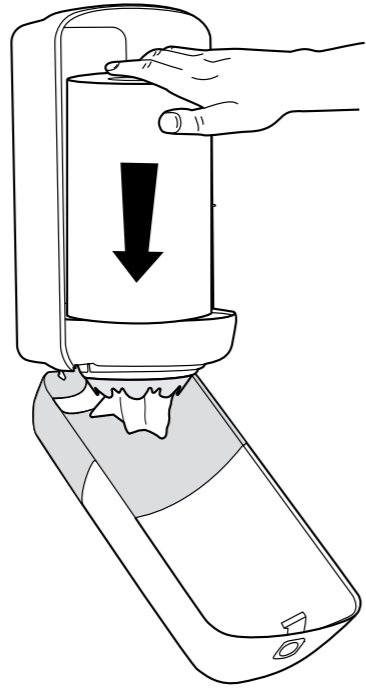




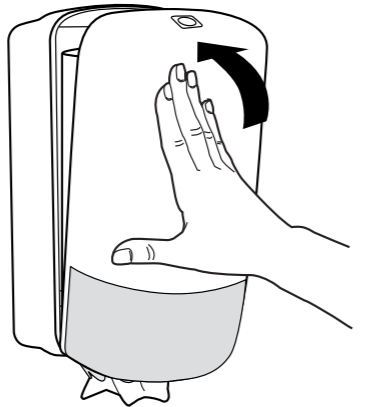
-  x 1
-  x 4
-  x 4



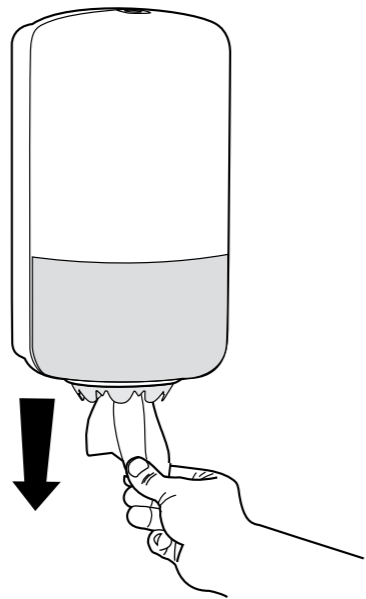
3.



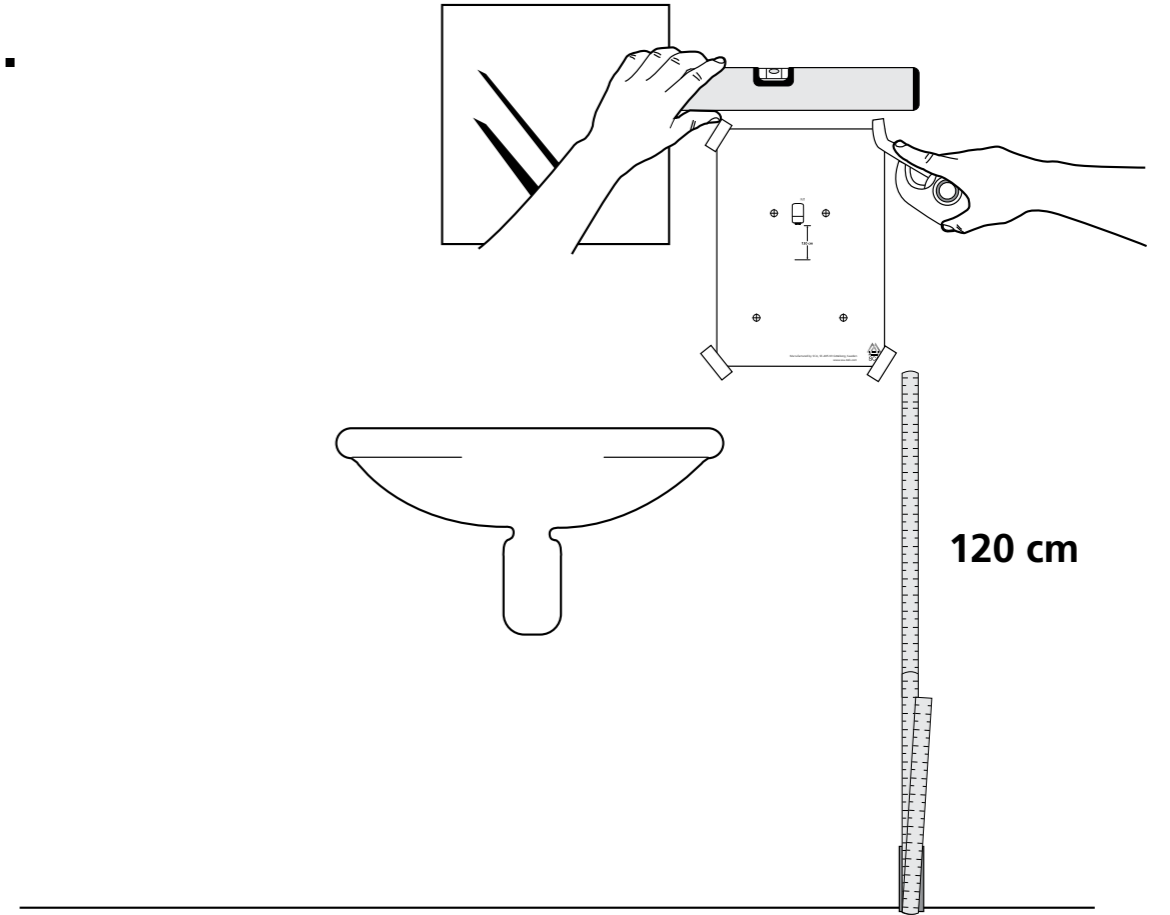
4.



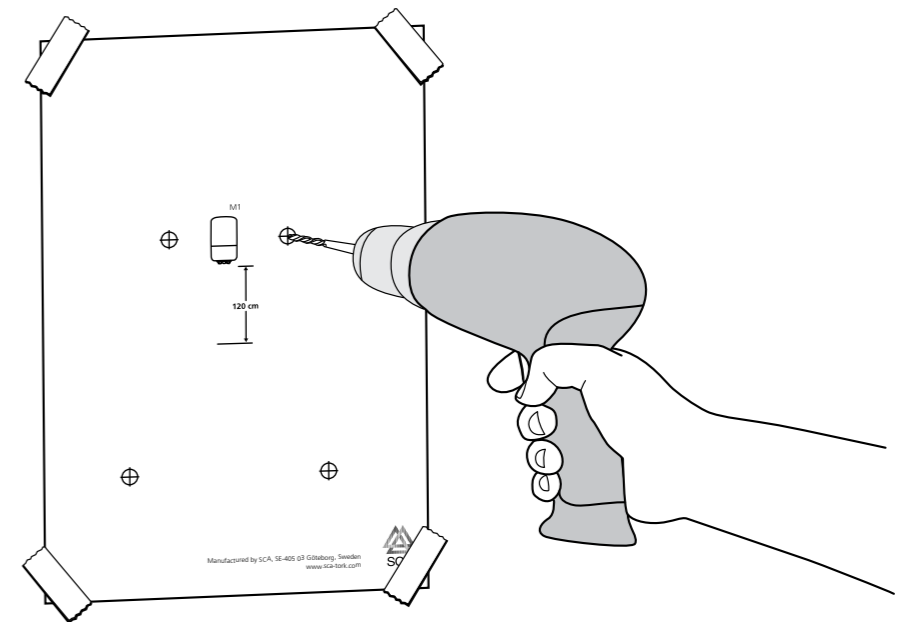
5.




1.



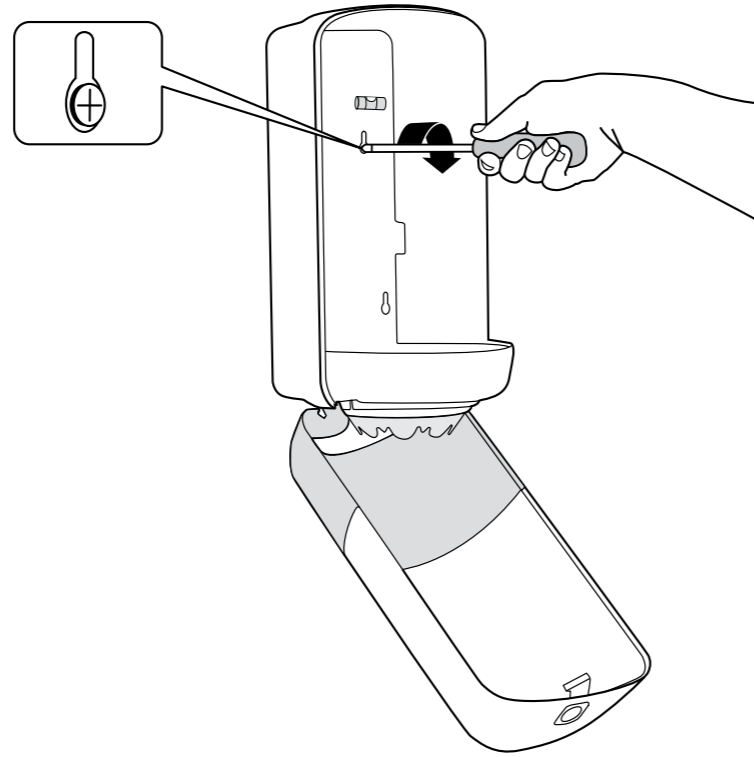
2.



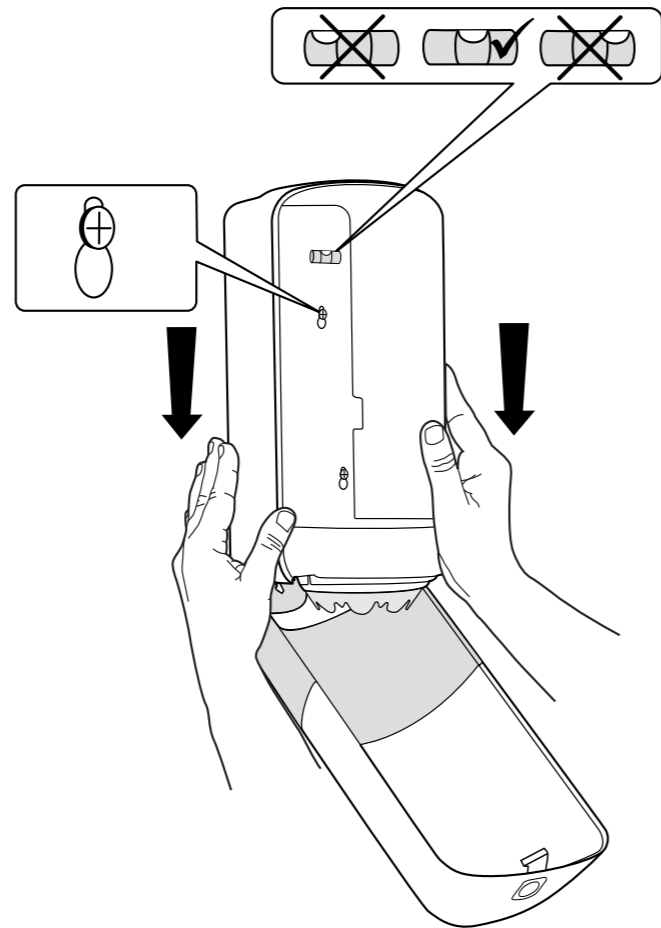
3.

 x 4

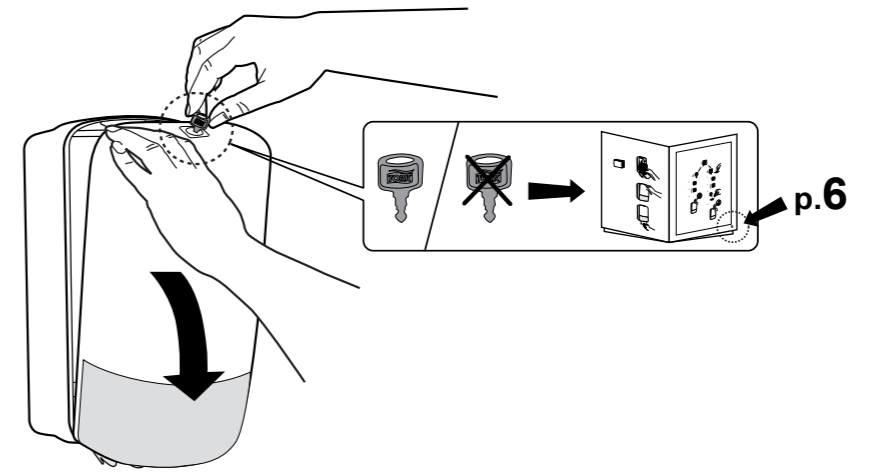
 x 4



4.



1.



2.

