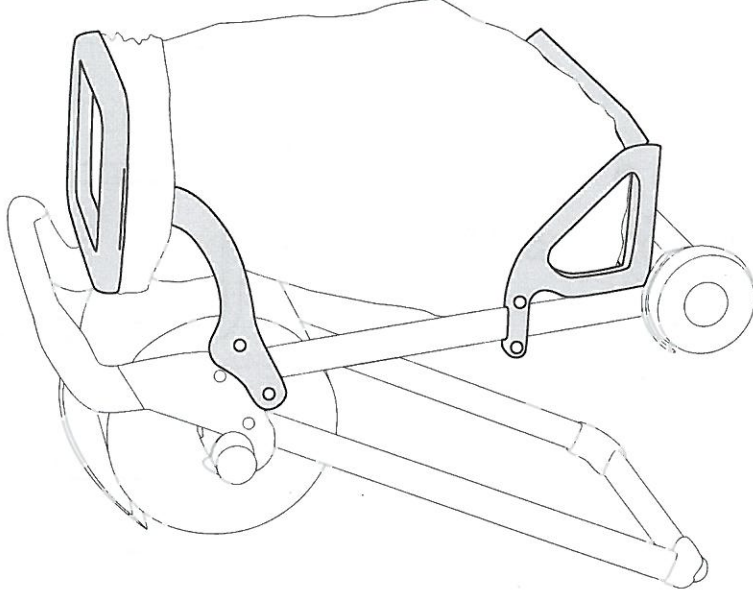
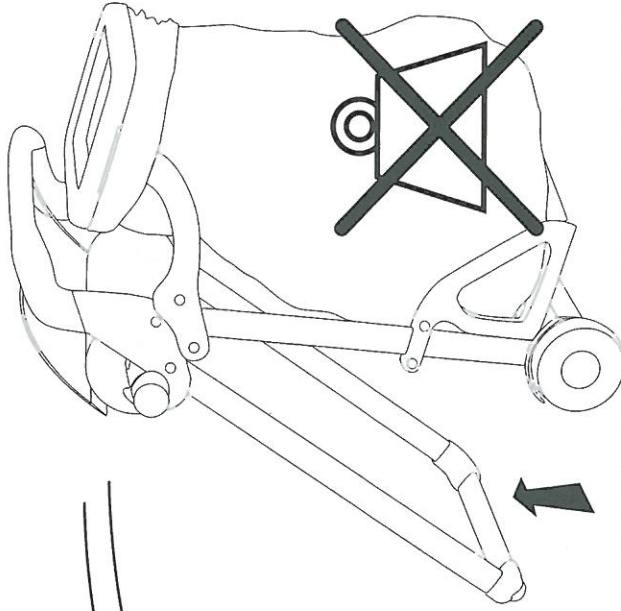
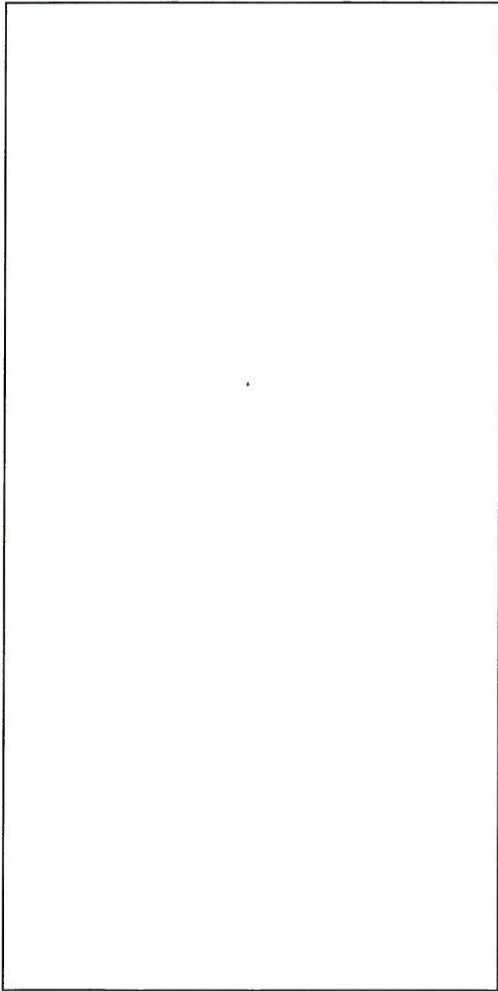
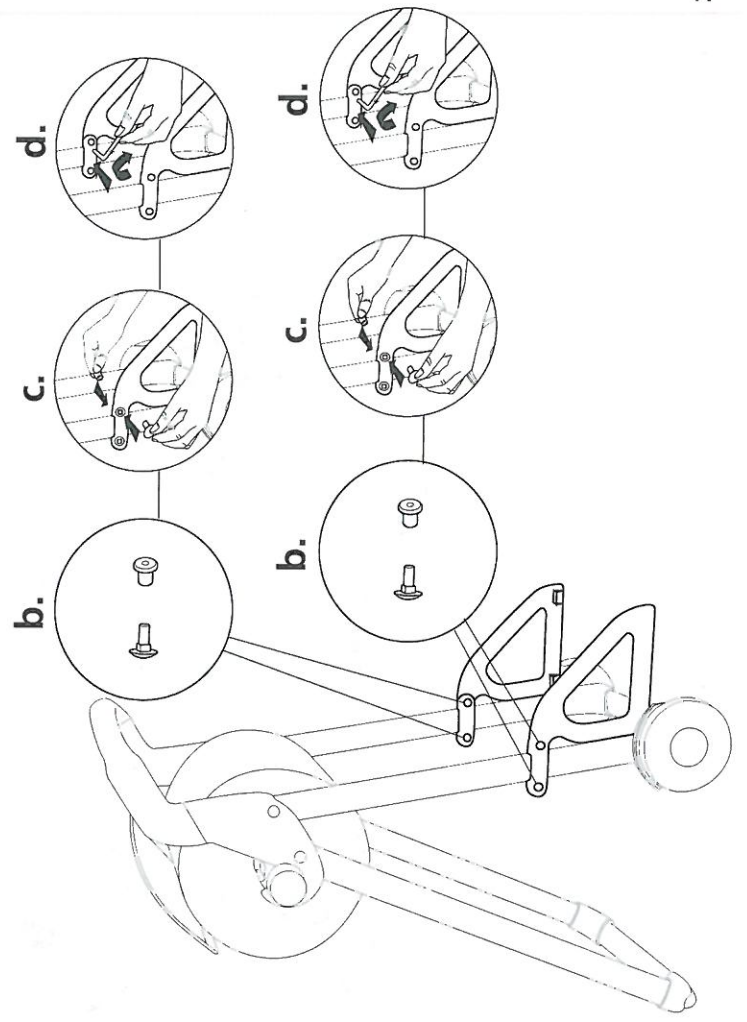
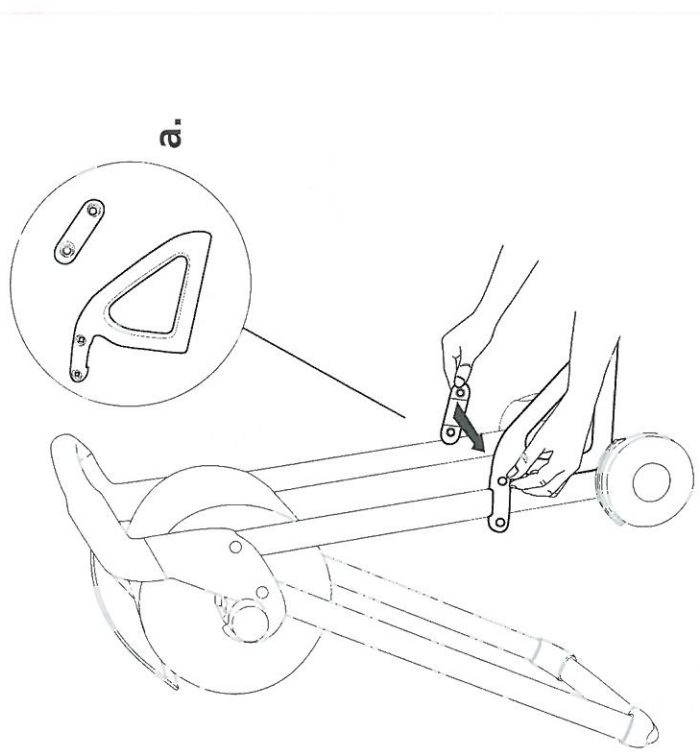




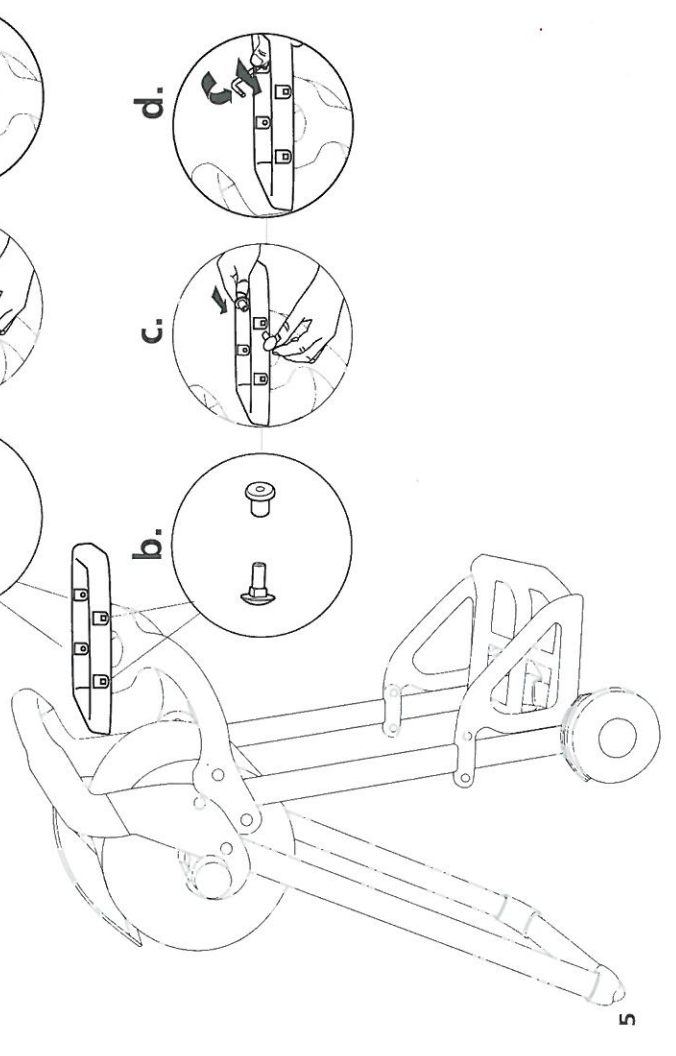
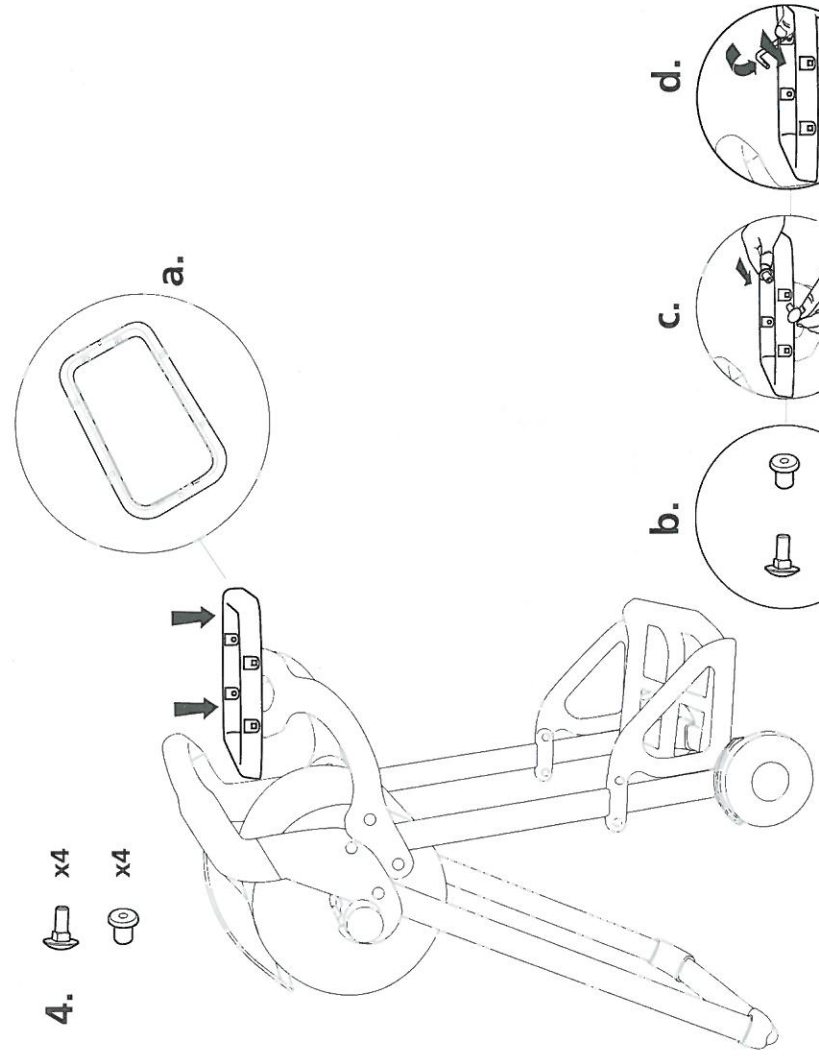
Accessory Bin Liner Holder W1 Floor Stand System



1.  x4
 x4

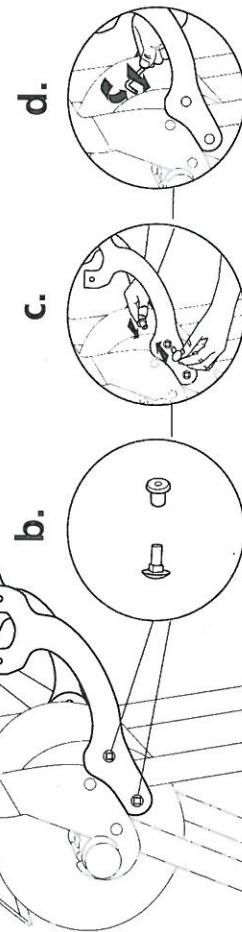
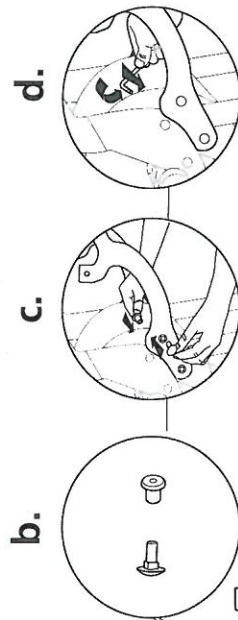
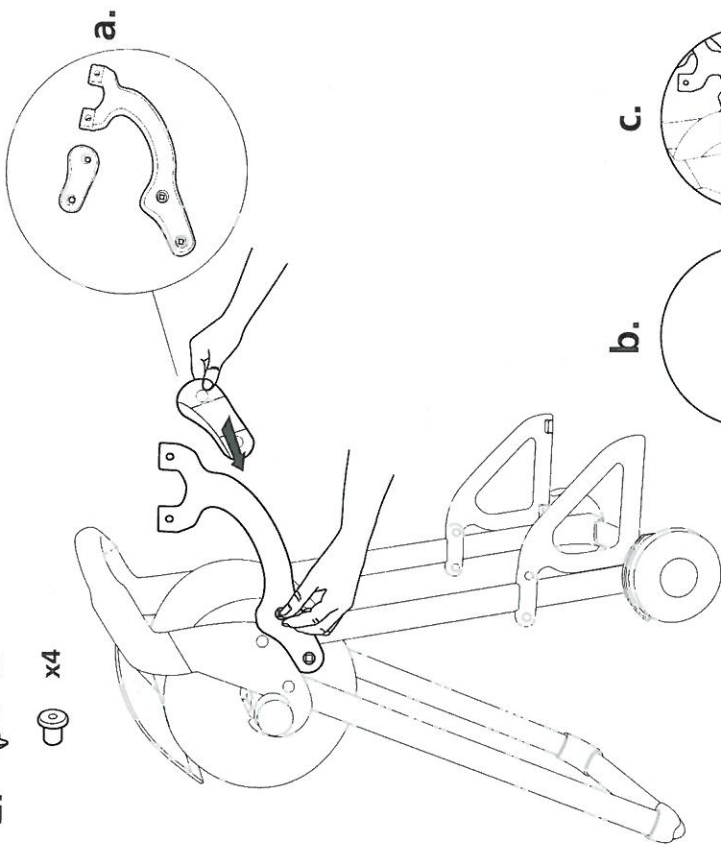


4.  x4
 x4

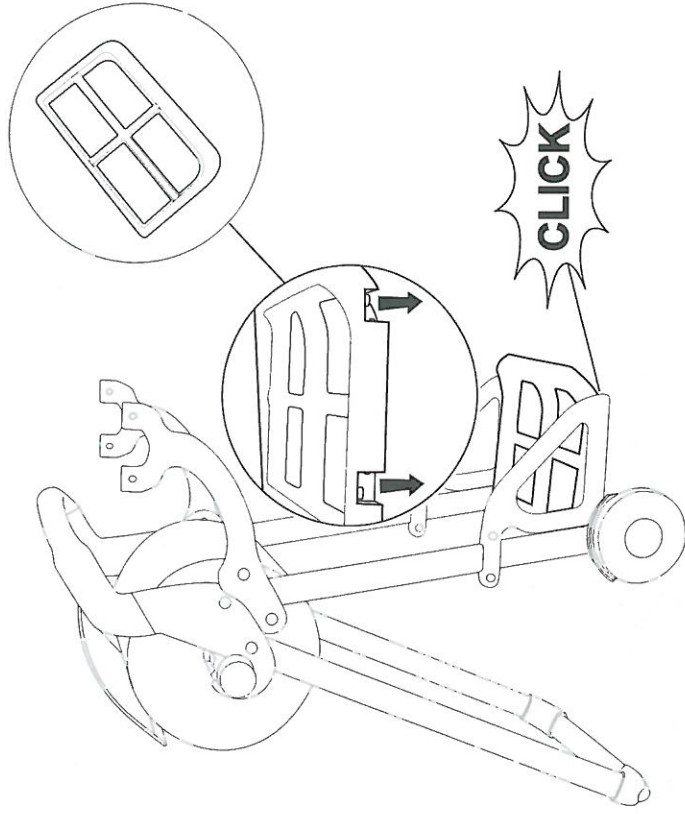


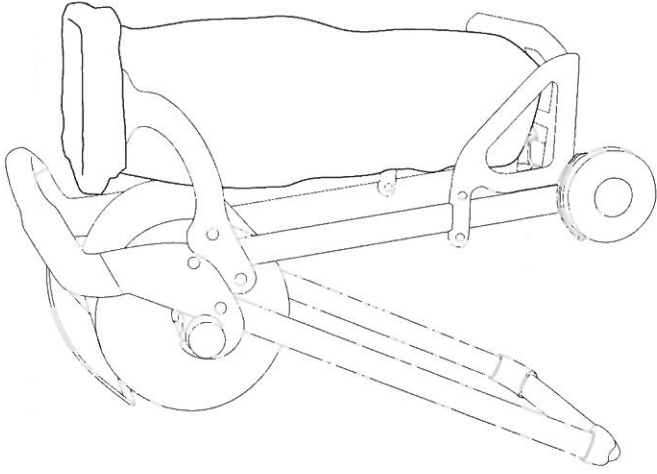
2.  x4

 x4

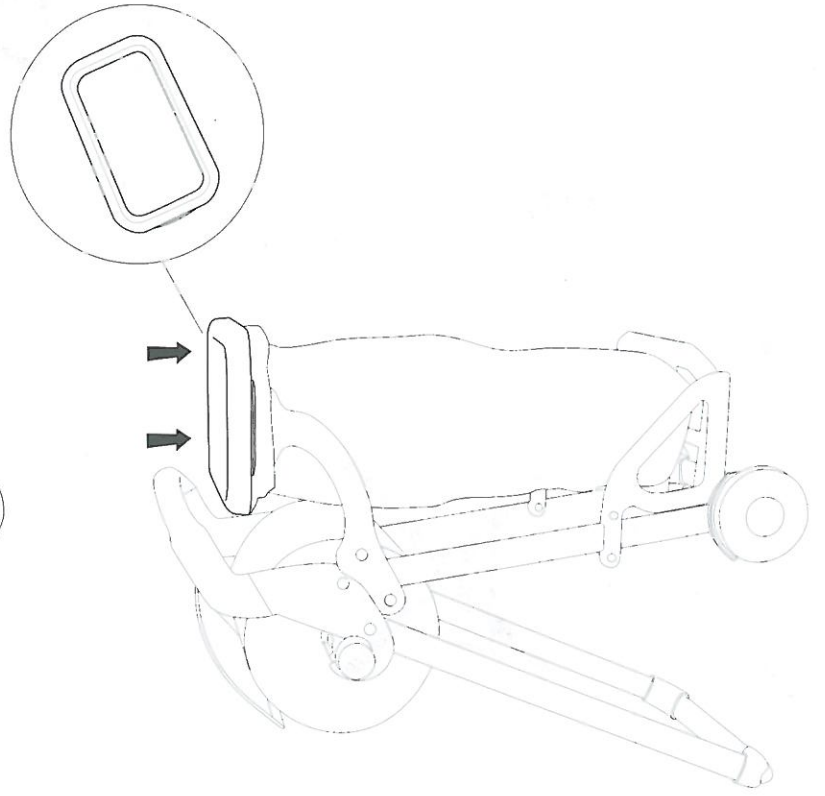


3.





5.



6.

