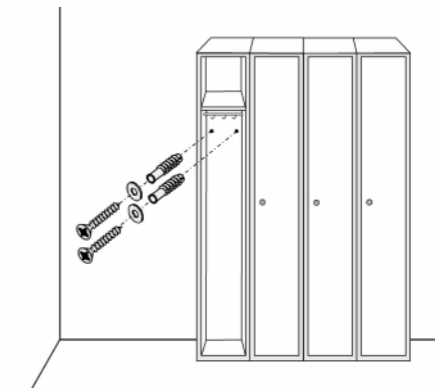
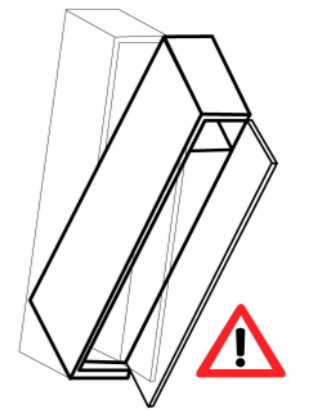
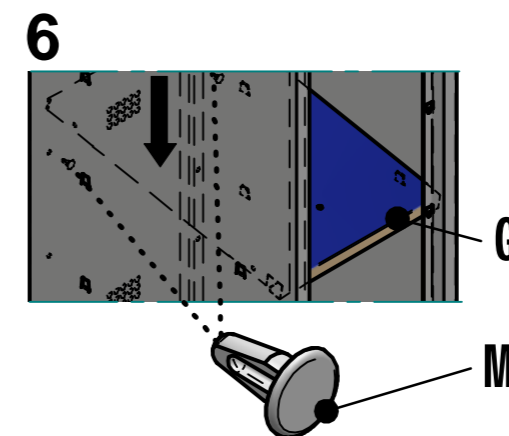
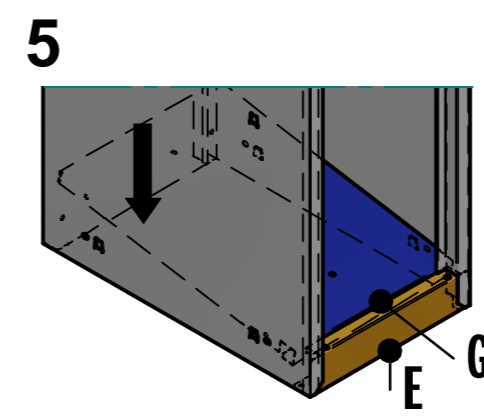
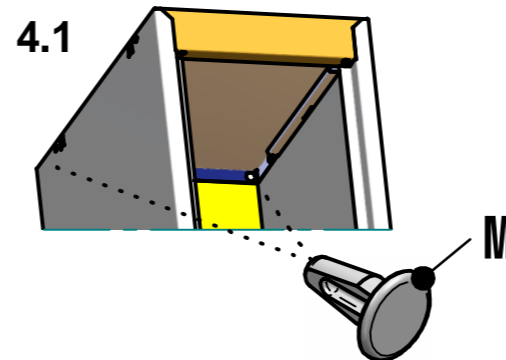
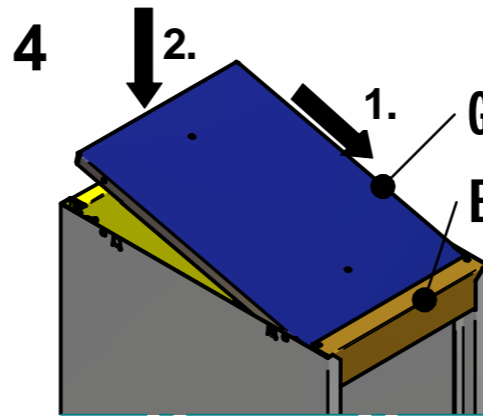
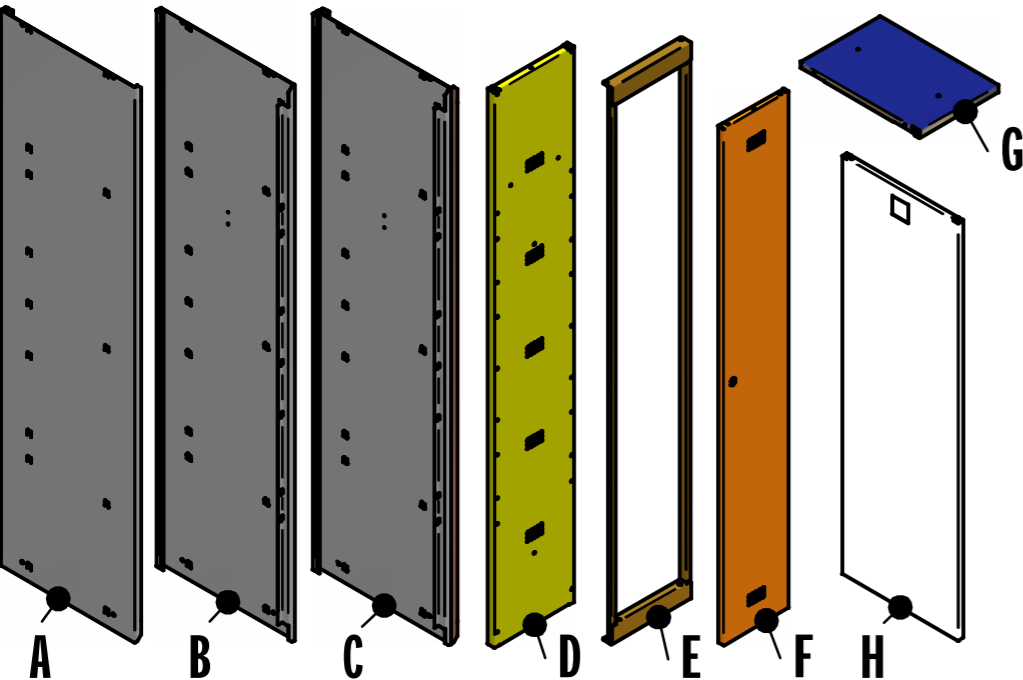
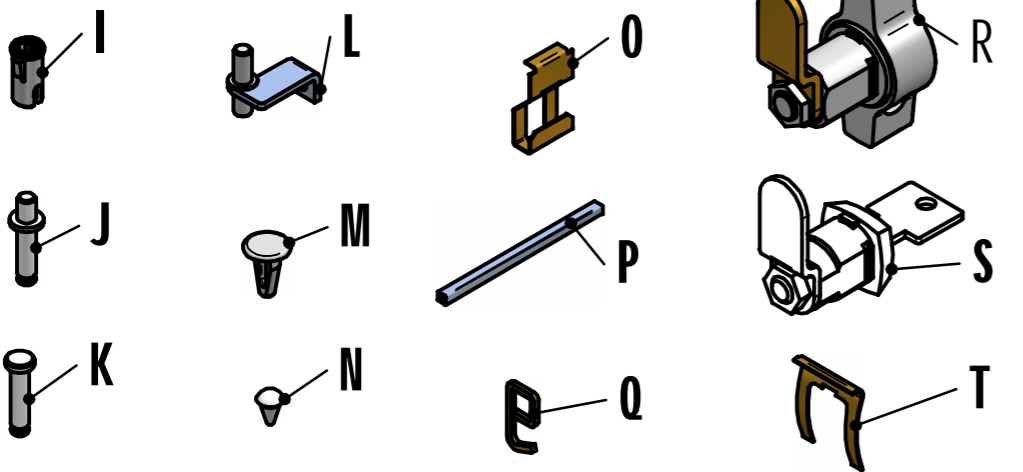
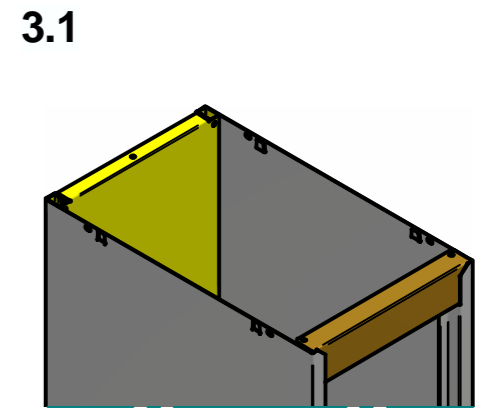
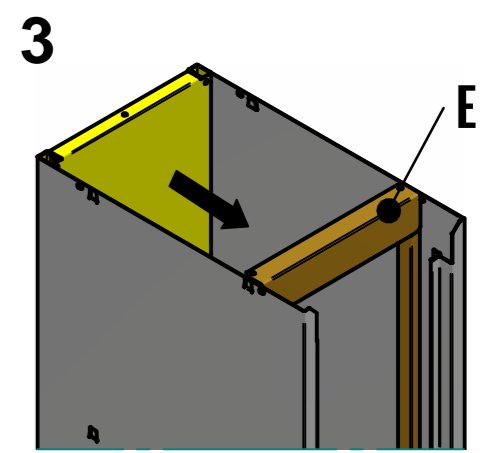
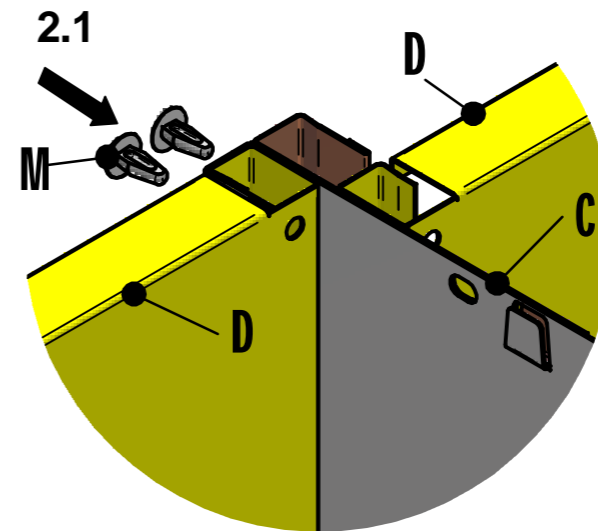
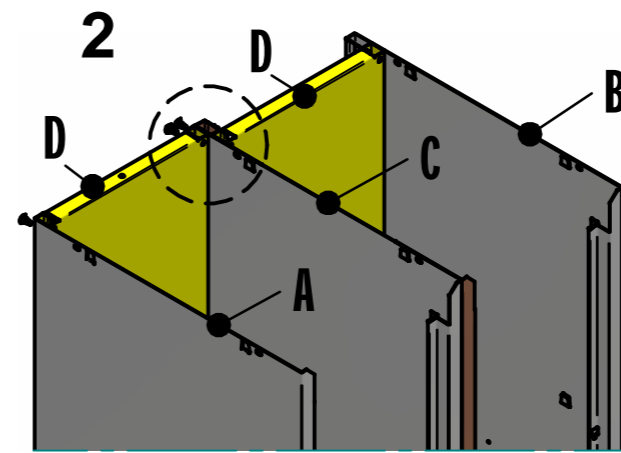
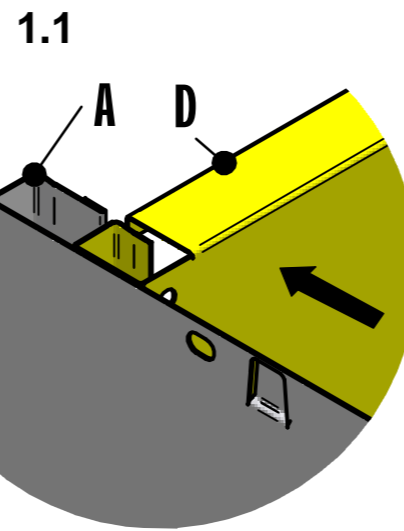
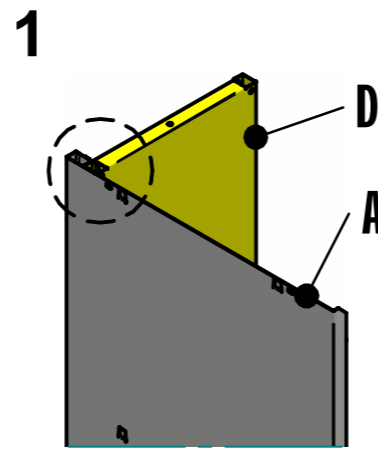
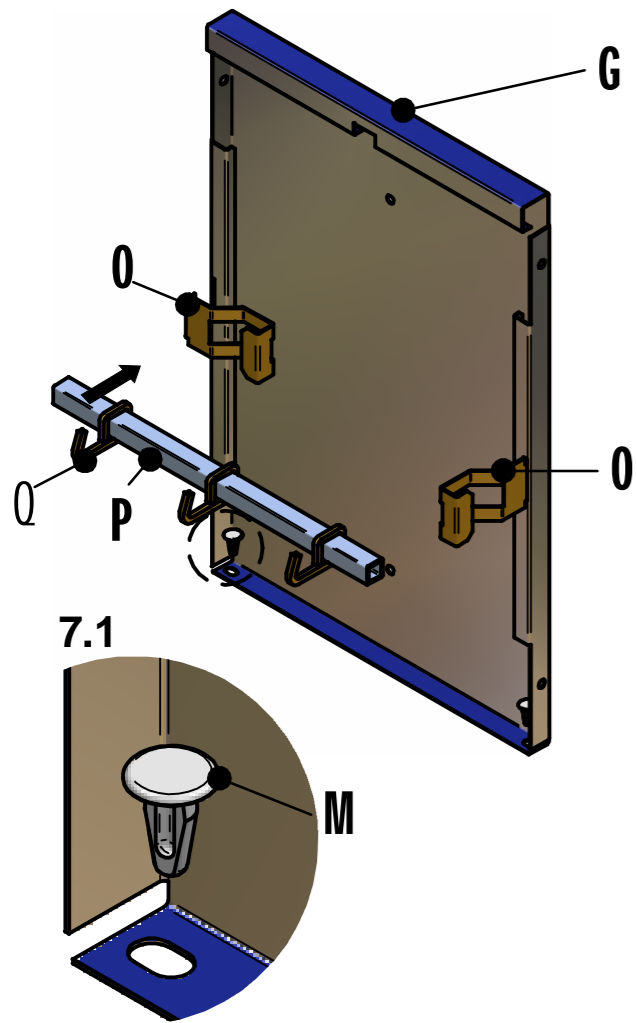


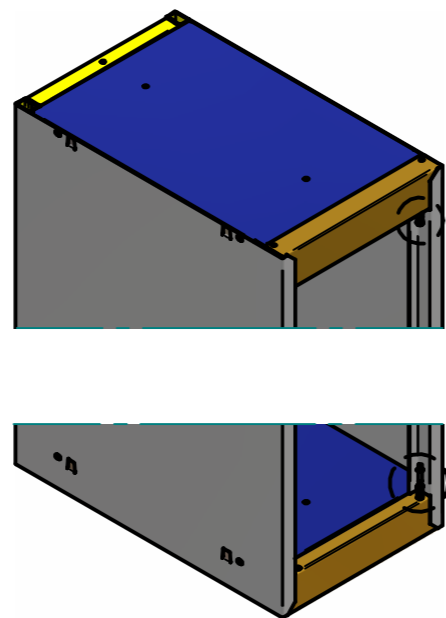
300 mm 30-11 31-11 30-12 31-12 30-14 31-14 30-15 31-15
 400 mm 32-11 33-11 32-12 33-12 32-14 33-14 39-20 39-20



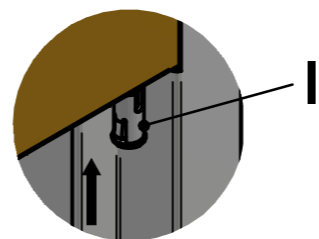
7



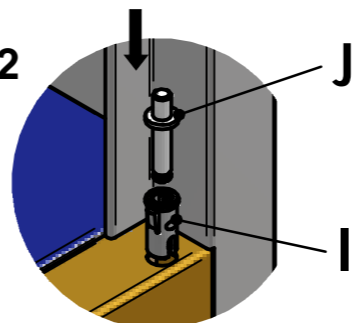
8



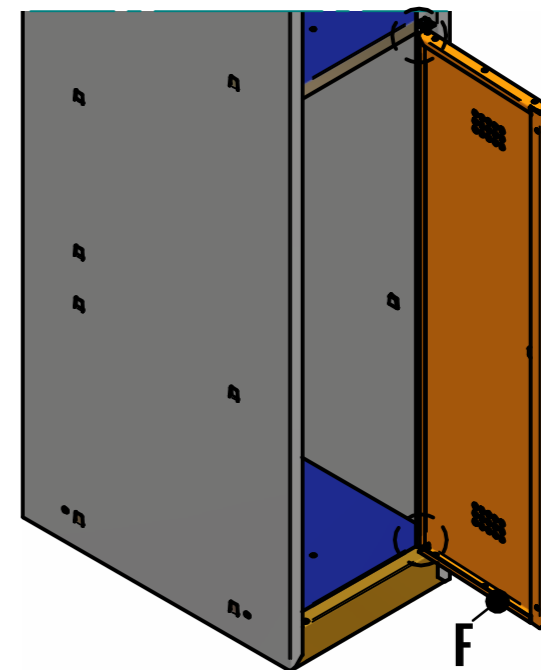
8.1



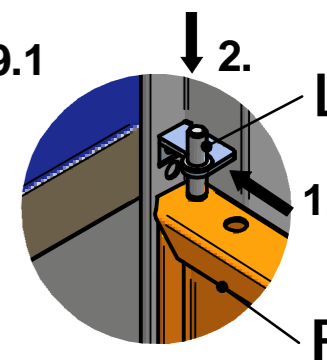
8.2



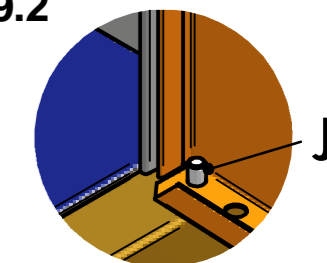
9



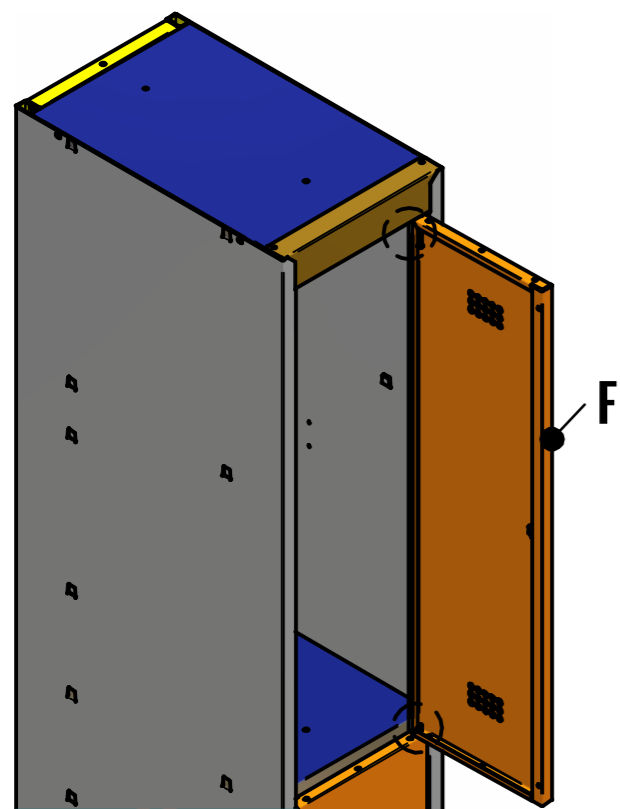
9.1



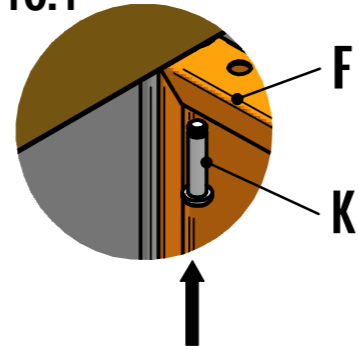
9.2



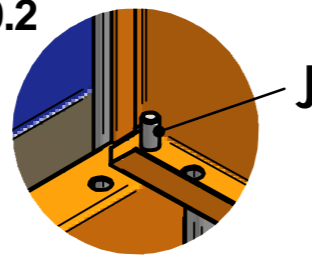
10



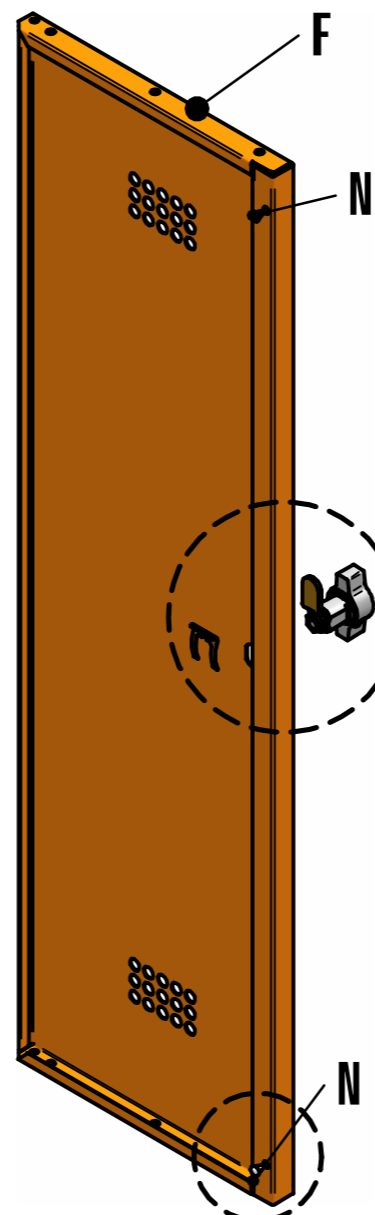
10.1



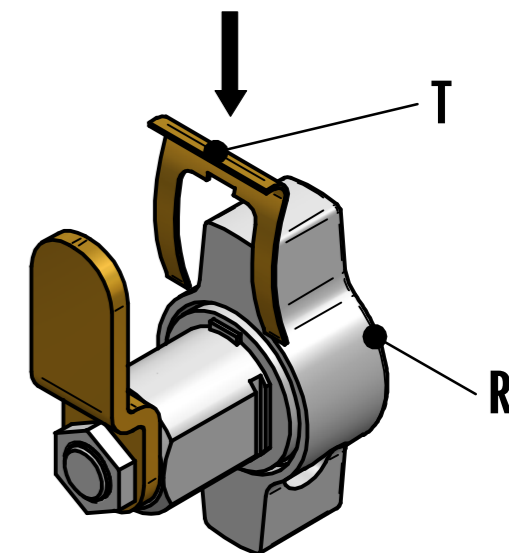
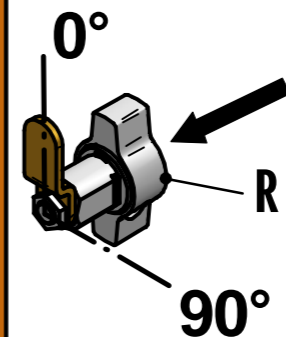
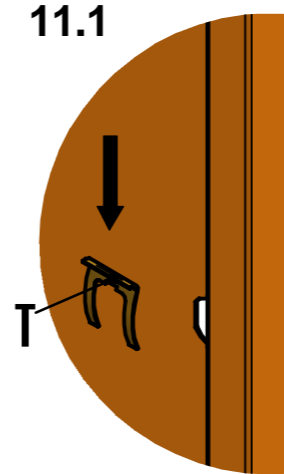
10.2



11



11.1



11.1.1

0°

90°

11.1.2

0°

90°

11.1.2

11.2

