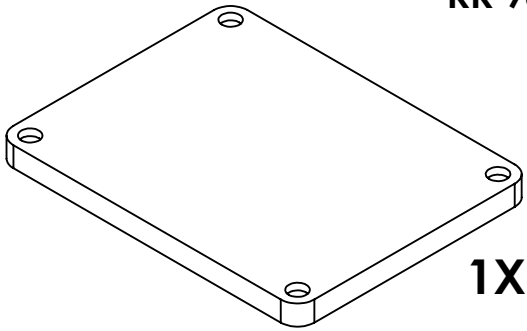
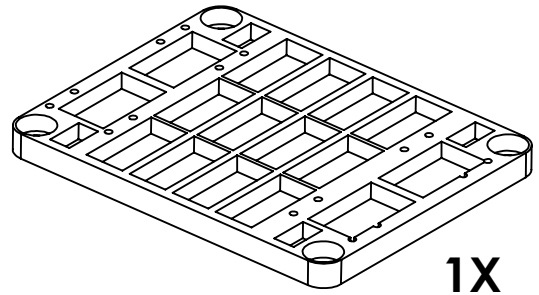


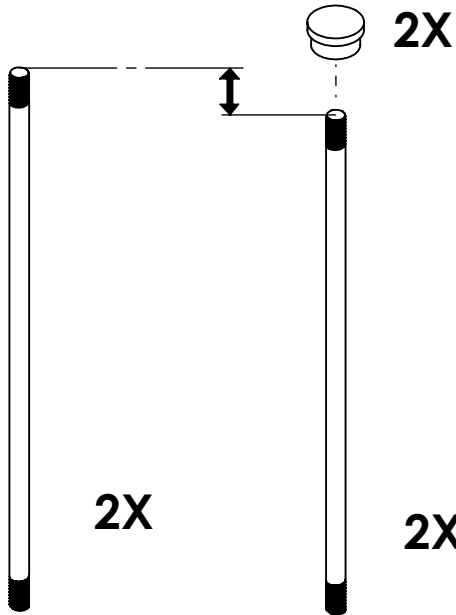
KK 968 506/ G 246 371
KK 968 507/ G 246 372
KK 968 508/ G 246 373



1X



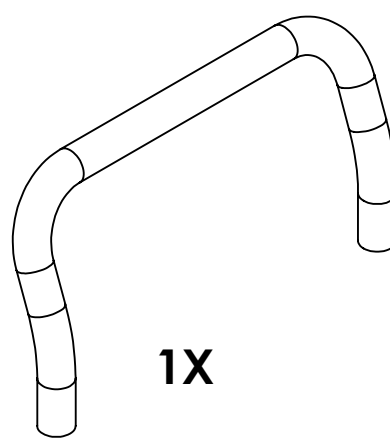
1X



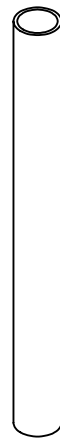
2X

2X

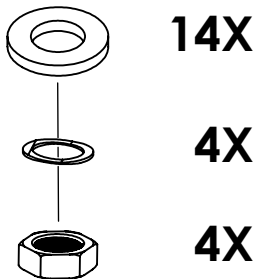
2X



1X



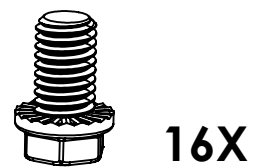
4X



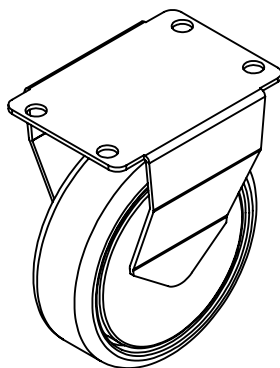
14X

4X

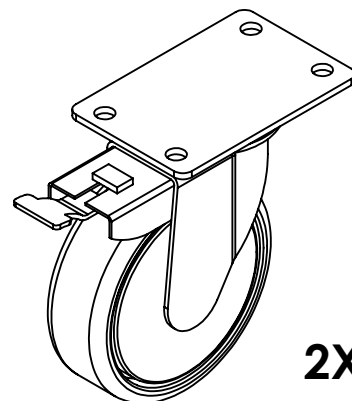
4X



16X



2X

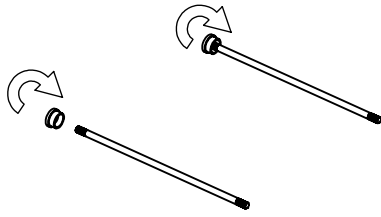


2X

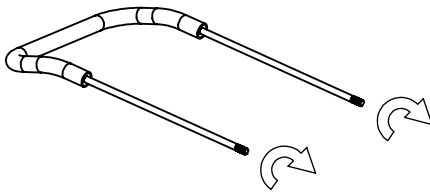
KK 968 506/ G 246 371 : Max. 150Kgs
KK 968 507/ G 246 372 : Max. 230Kgs
KK 968 508/ G 246 373 : Max. 280Kgs

KK 968 506/ G 246 371
KK 968 507/ G 246 372
KK 968 508/ G 246 373

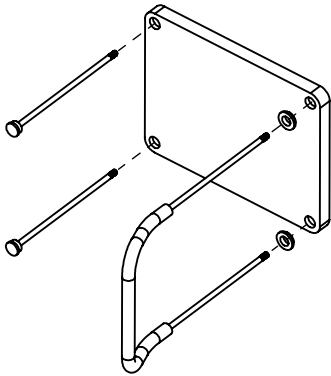
(1)



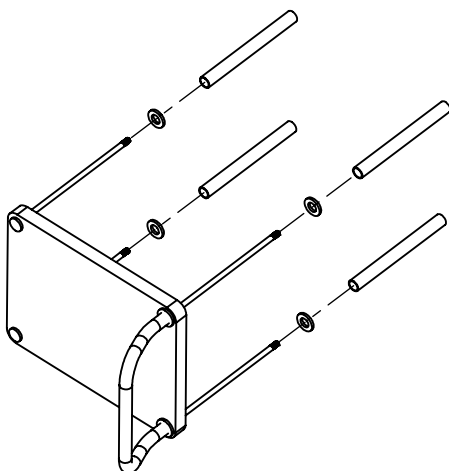
(2)



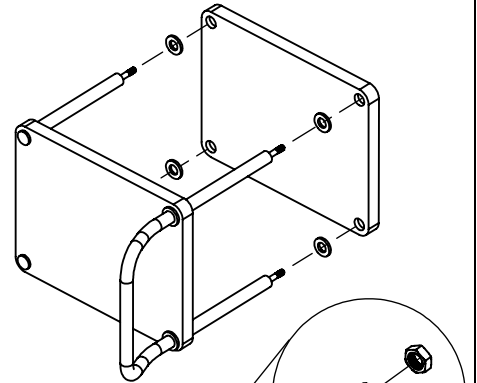
(3)



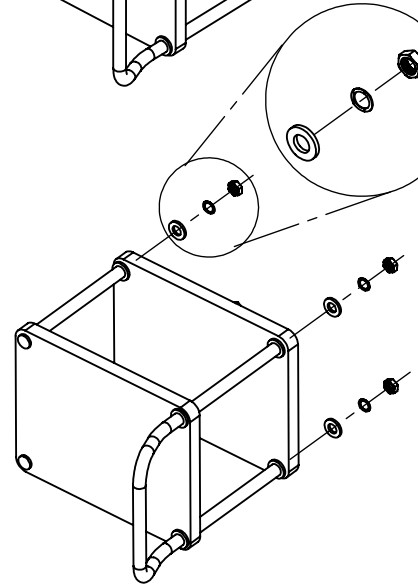
(4)



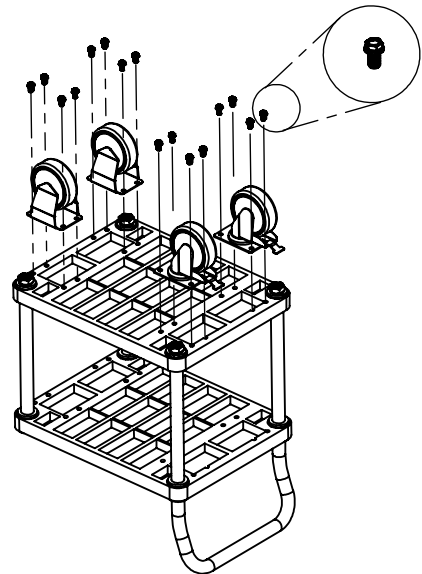
(5)



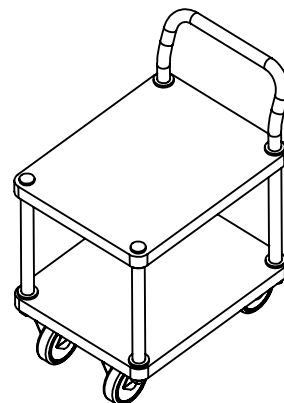
(6)



(7)

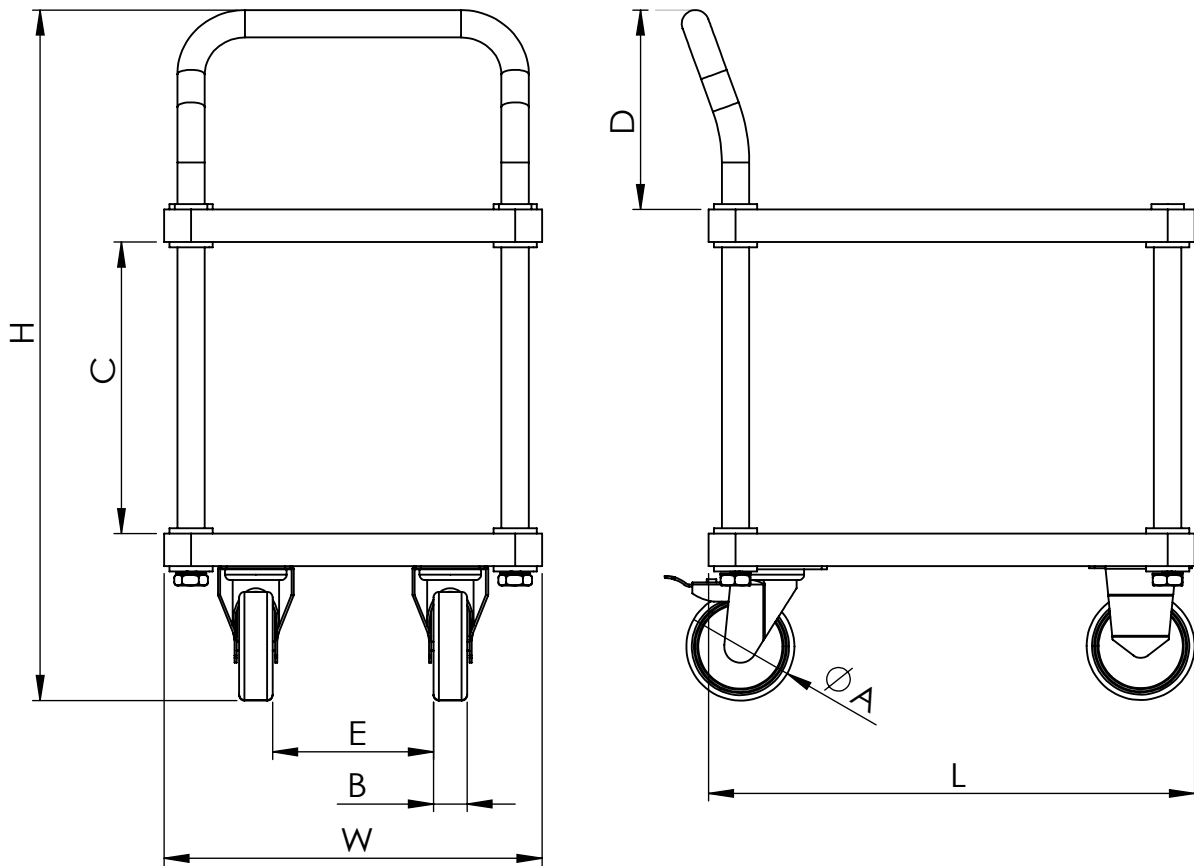


(8)



	L	W	H	A	B	C	D
KK968 506/G246 371	710 mm	455 mm	930 mm	100 mm	32 mm	520 mm	205 mm
KK968 507/G246 372	815 mm	505 mm	960 mm	125 mm	32 mm	520 mm	205 mm
KK968 508/G246 373	914 mm	609 mm	960 mm	125 mm	32 mm	520 mm	205 mm

E
265 mm
255 mm
370 mm



DESCRIPTION:	2 SHELF HAND TRUCK WITH SINGLE HANDLE
ARTICLE NO.:	KK968 506/G246 371 KK968 507/G246 372 KK968 508/G246 373