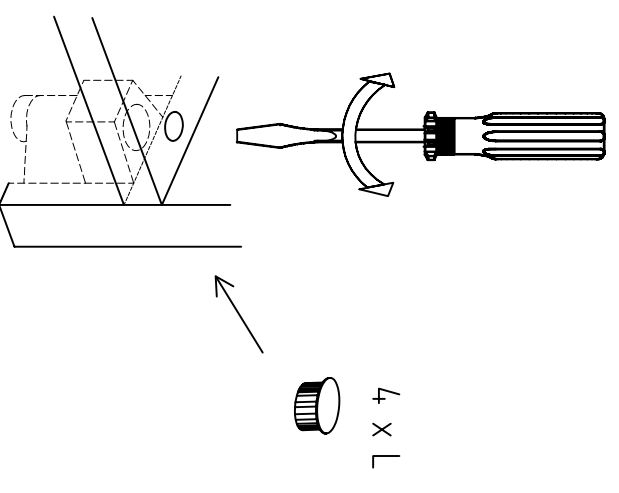
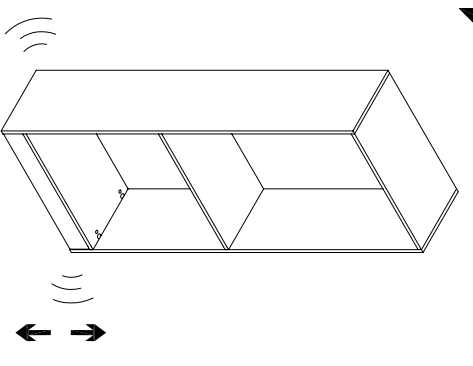
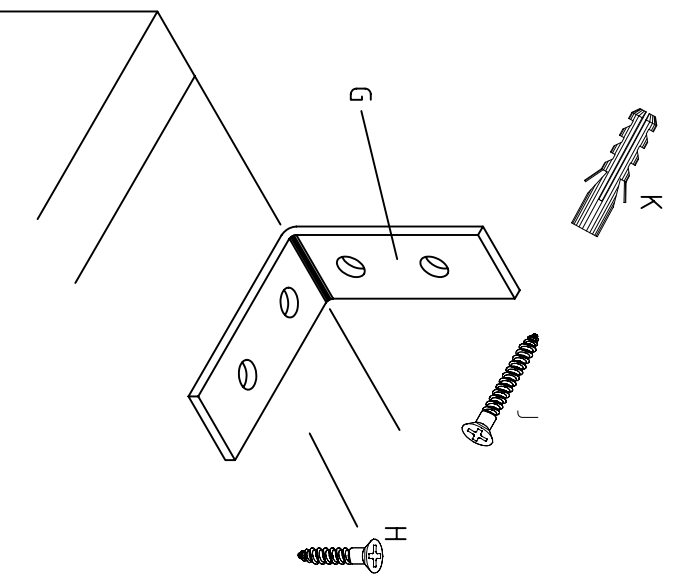
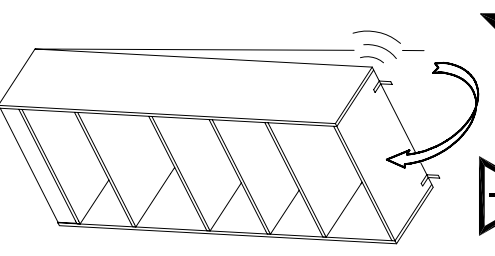


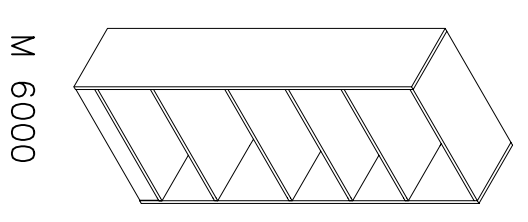
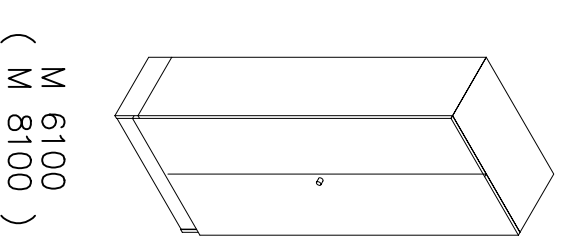
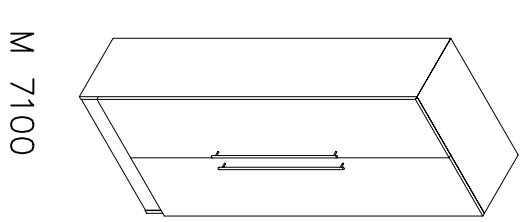
5



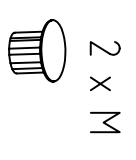
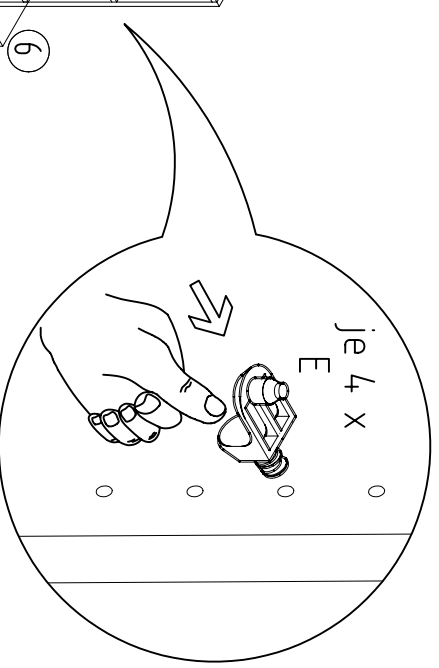
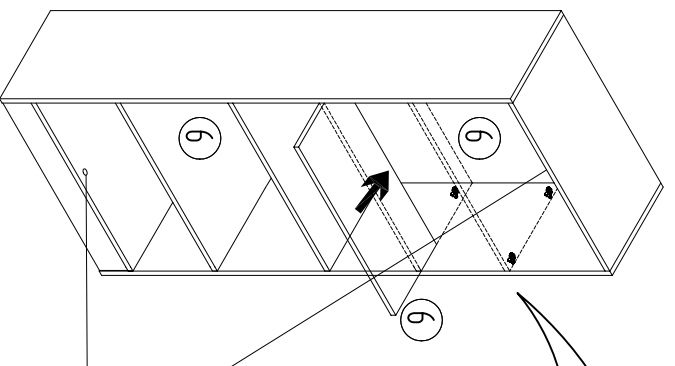
7



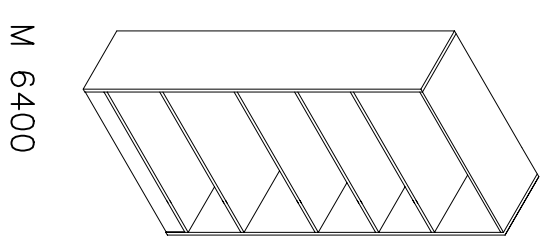
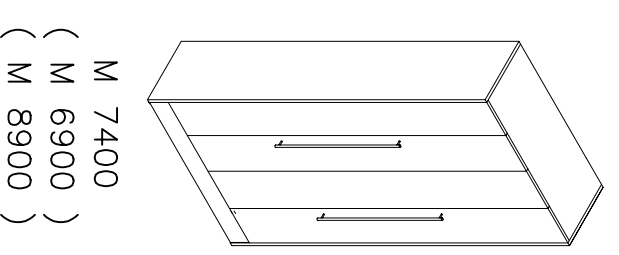
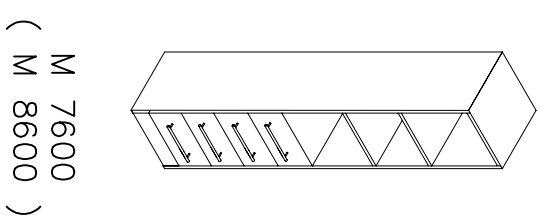
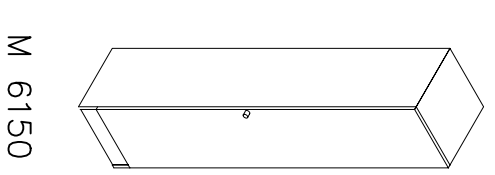
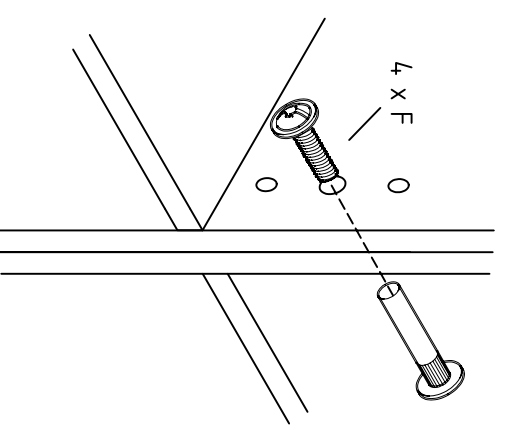
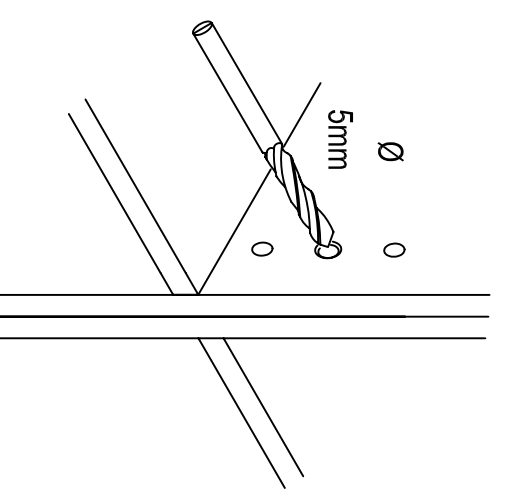
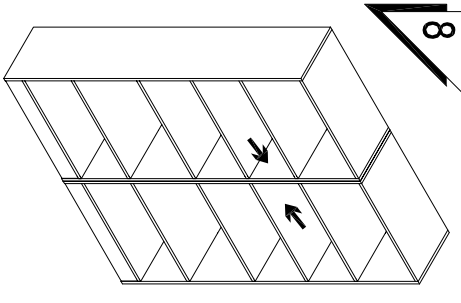
Montageanleitung :
Korpus - Regalserie M6.../M7.../M8...
Assembly instruction : corpus - shelves M6.../M7.../M8... series



6



8

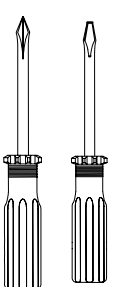
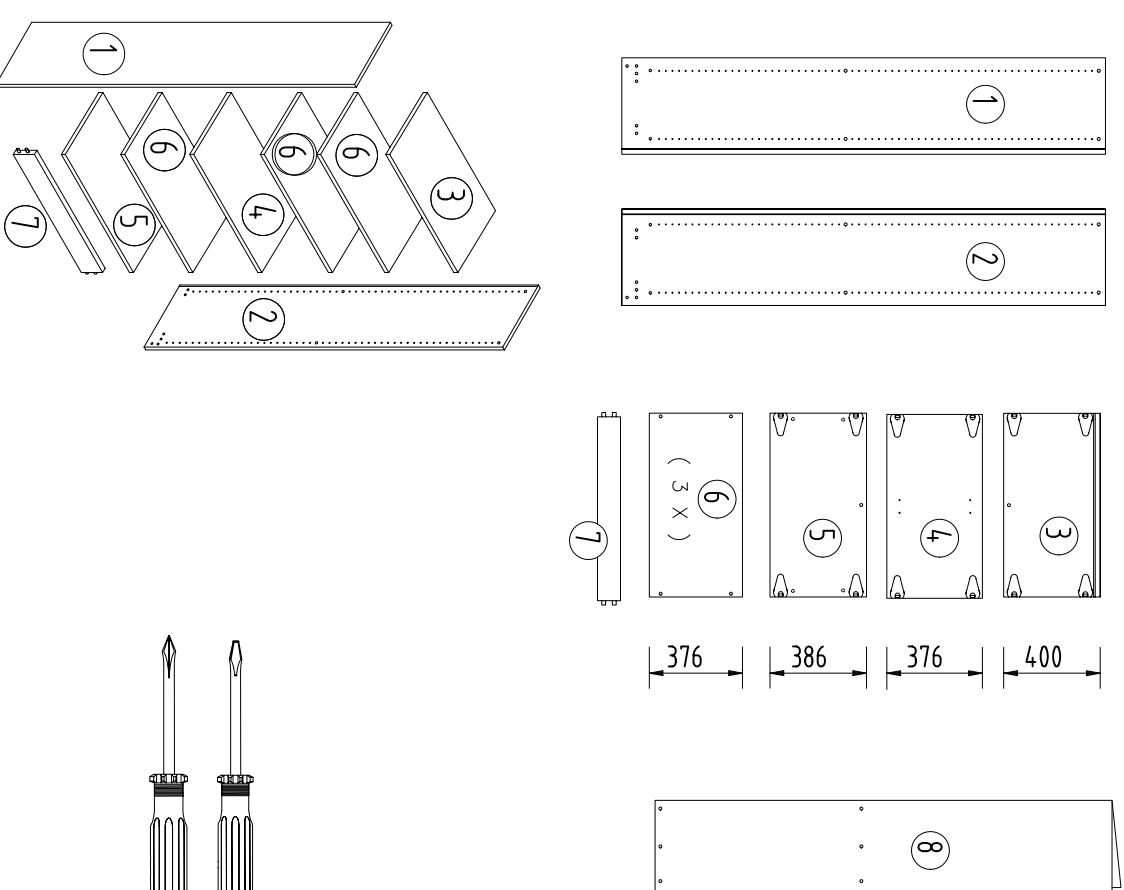


Beschlagbeutel 1: / fittings 1

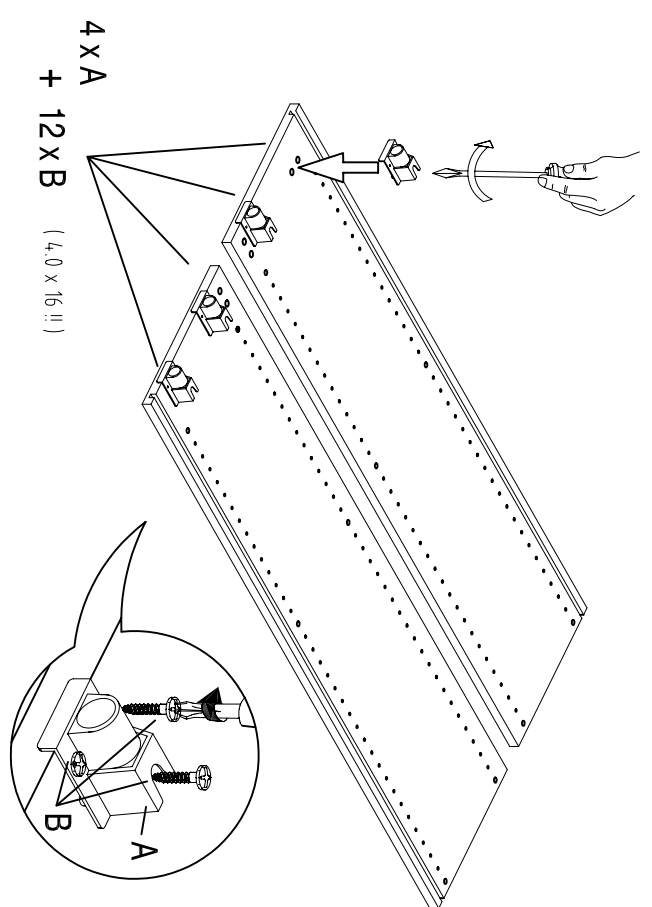
4 x A	12 x B	12 x C	12 x D	12 x E
	(4.0 x 16 mm)		(3.5 x 25 mm)	

Beschlagbeutel 2: / fittings 2

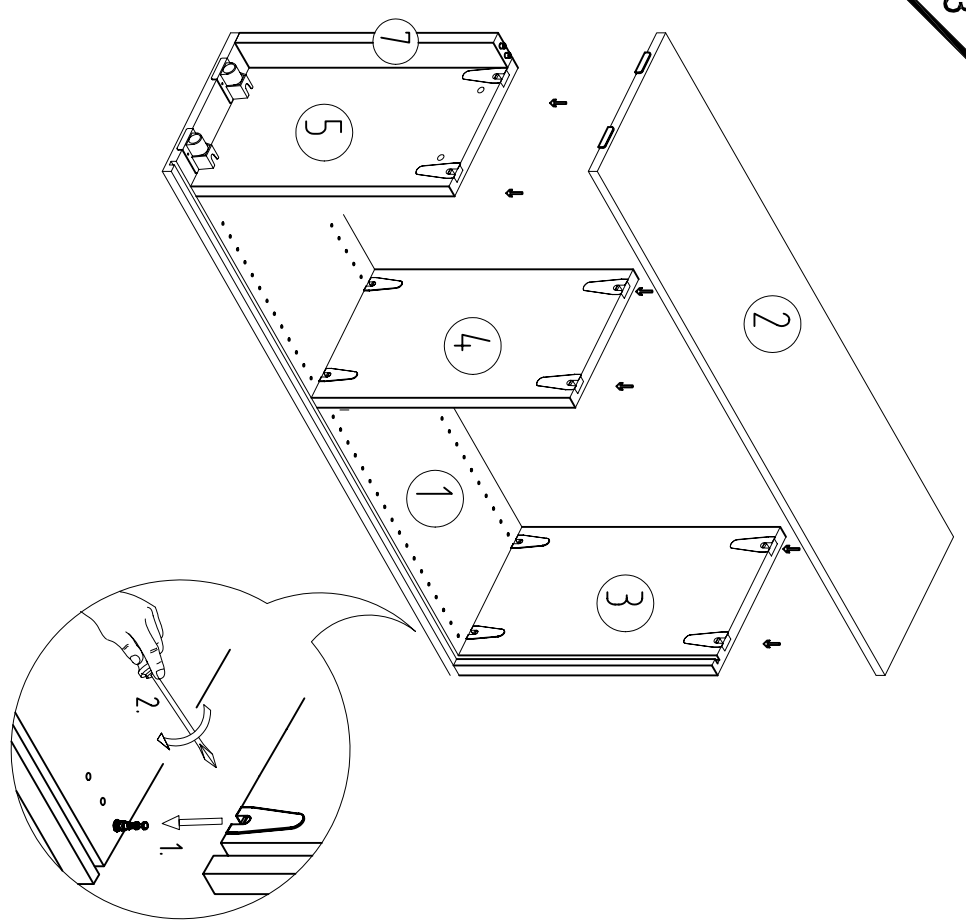
4 x F	2 x G	2 x H	2 x J
		(3.5 x 20 mm)	
2 x K	4 x L	2 x M	
(4.5 x 4.0 mm)			



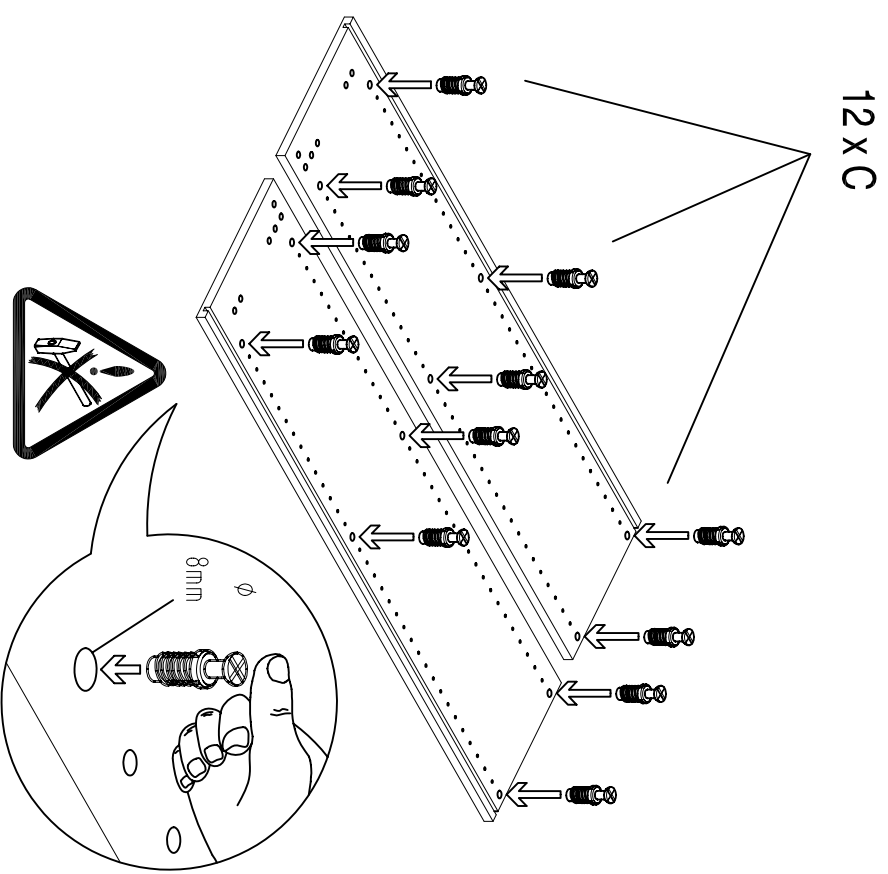
1



3



2



4

