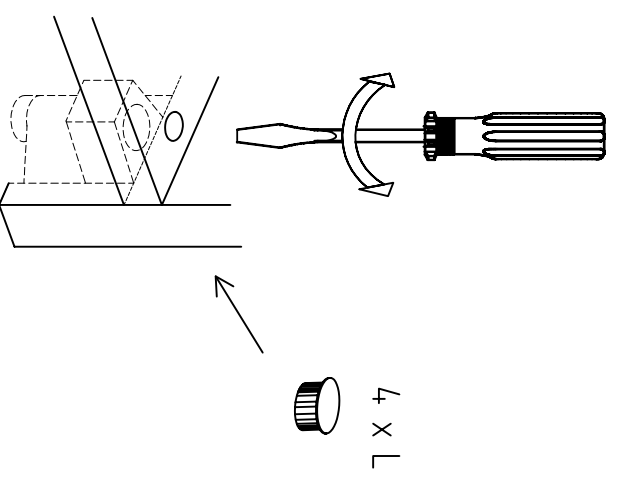
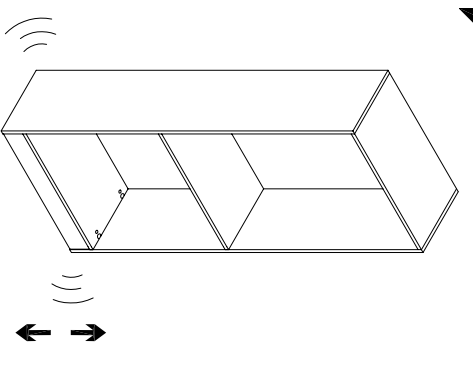
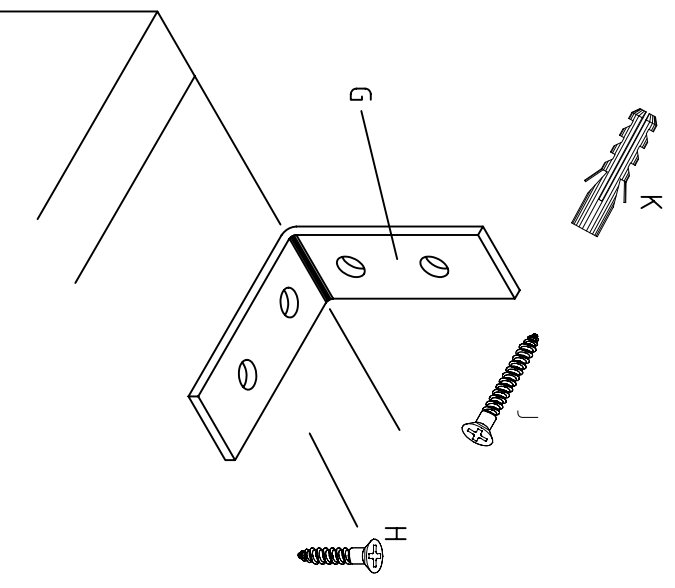
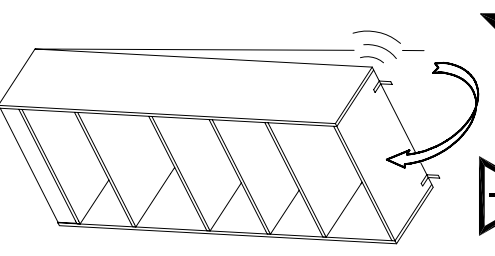


5



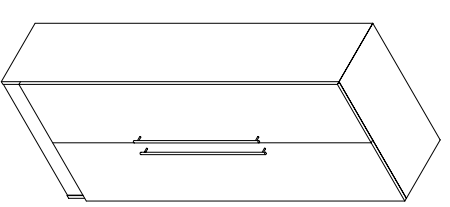
7



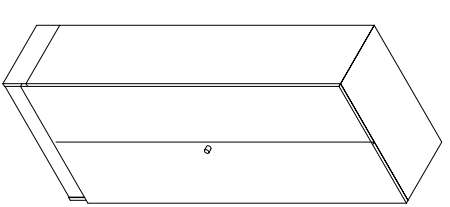
Montageanleitung :
Korpus - Regalserie M6.../M7.../M8...

Assembly instruction : corpus - shelves M6.../M7.../M8... series

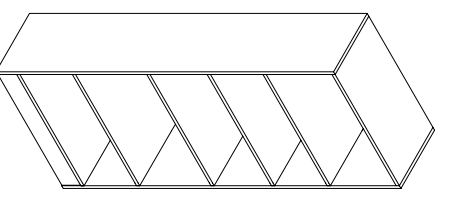
M 7100



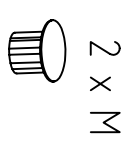
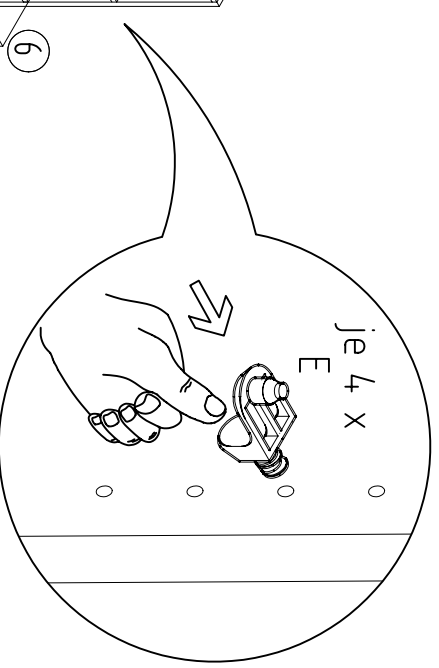
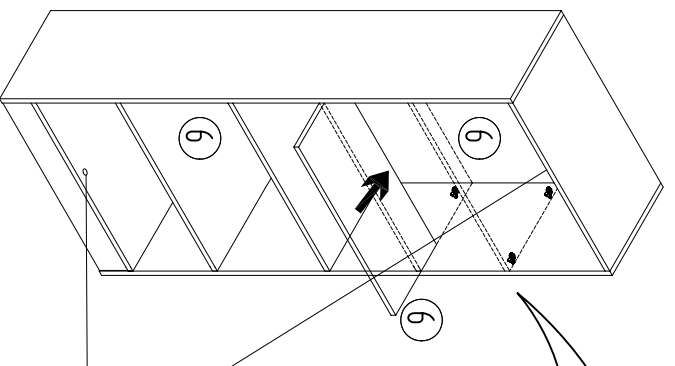
(M 6100
M 8100)



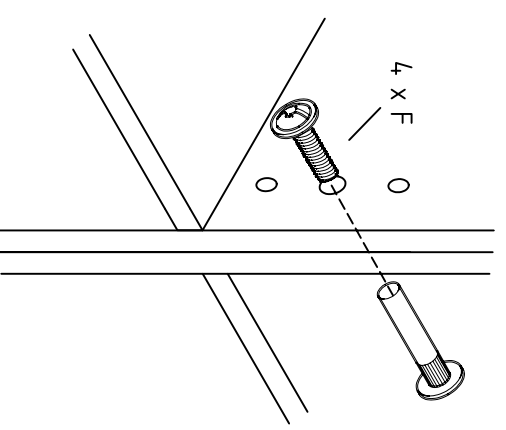
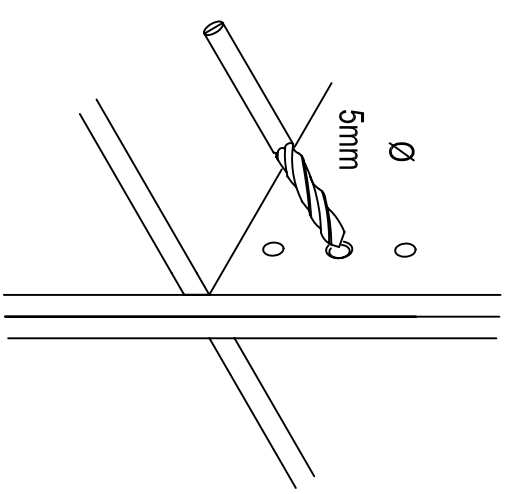
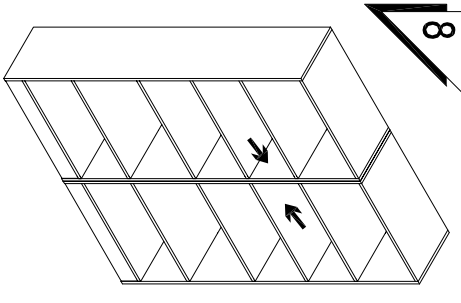
M 6000



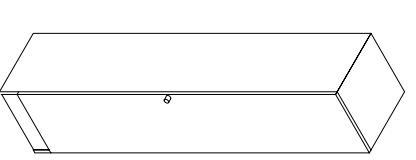
6



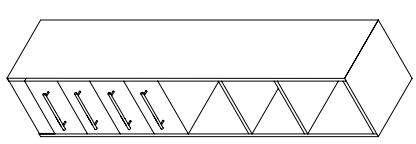
8



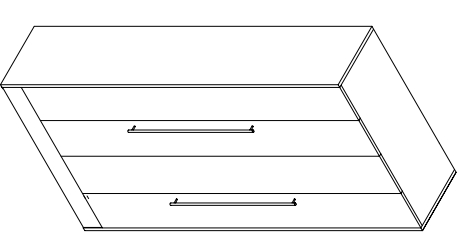
M 6150



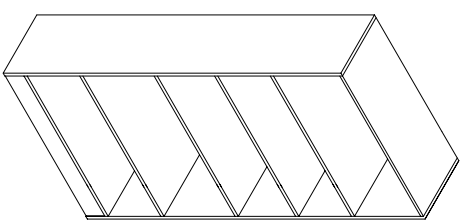
(M 7600
M 8600)



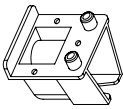
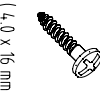



M 7400
(M 6900)
(M 8900)



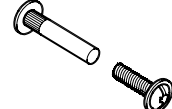
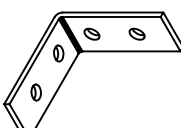
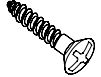
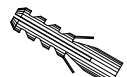



M 6400

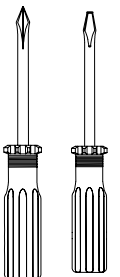
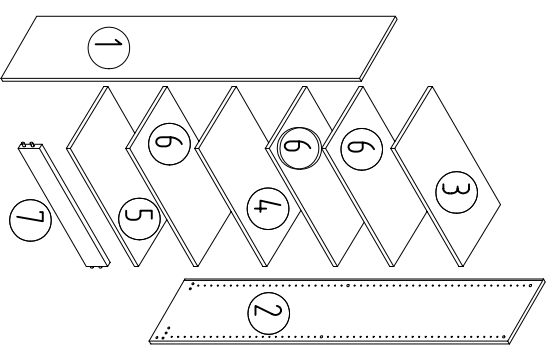
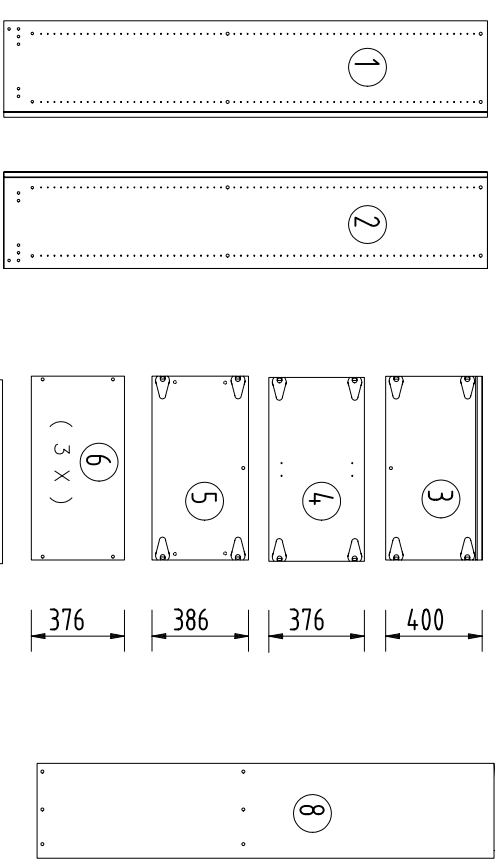


Beschlagbeutel 1: / fittings 1

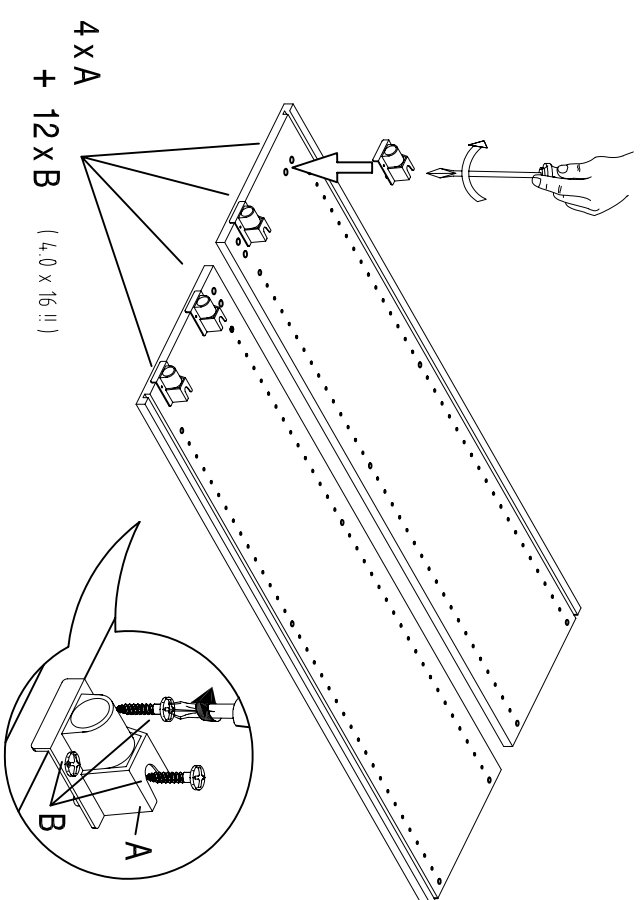
4 x A 	12 x B  (4.0 x 16 mm)	12 x C 	12 x D  (3.5 x 25 mm)	12 x E 
---	--	---	--	---

Beschlagbeutel 2: / fittings 2

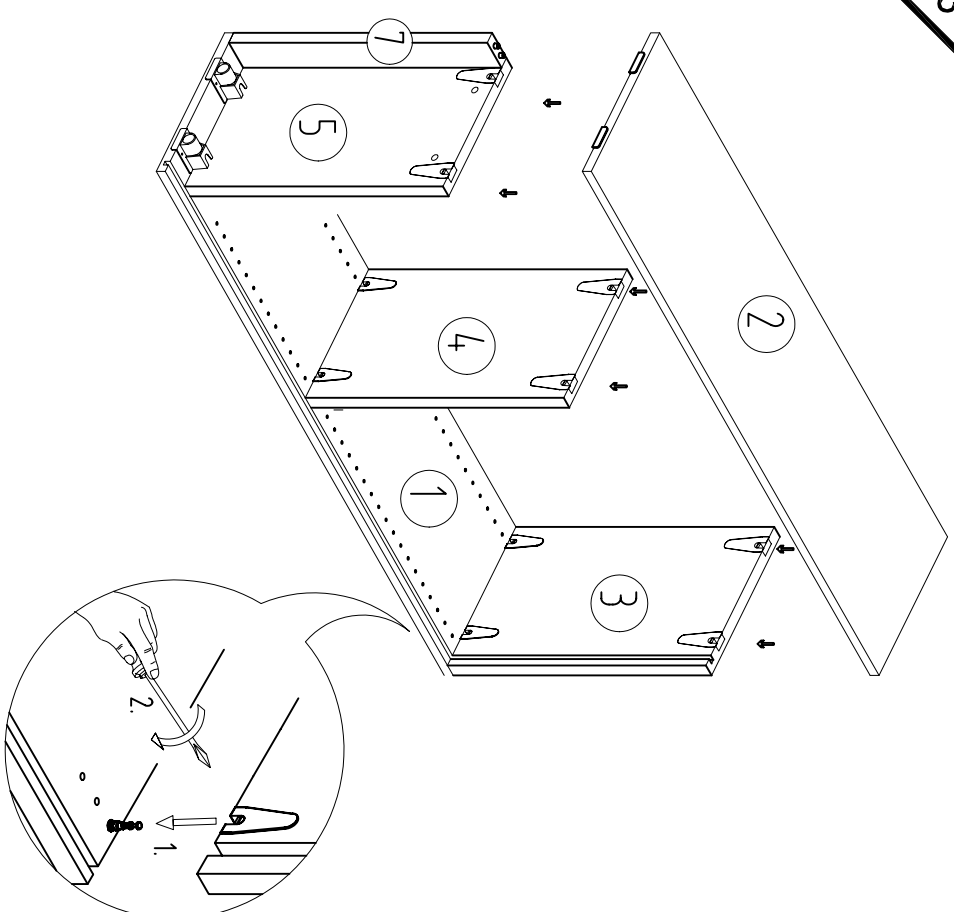
4 x F 	2 x G 	2 x H  (3.5 x 20 mm)	2 x J 
2 x K  (4.5 x 40 mm)	4 x L 	2 x M 	



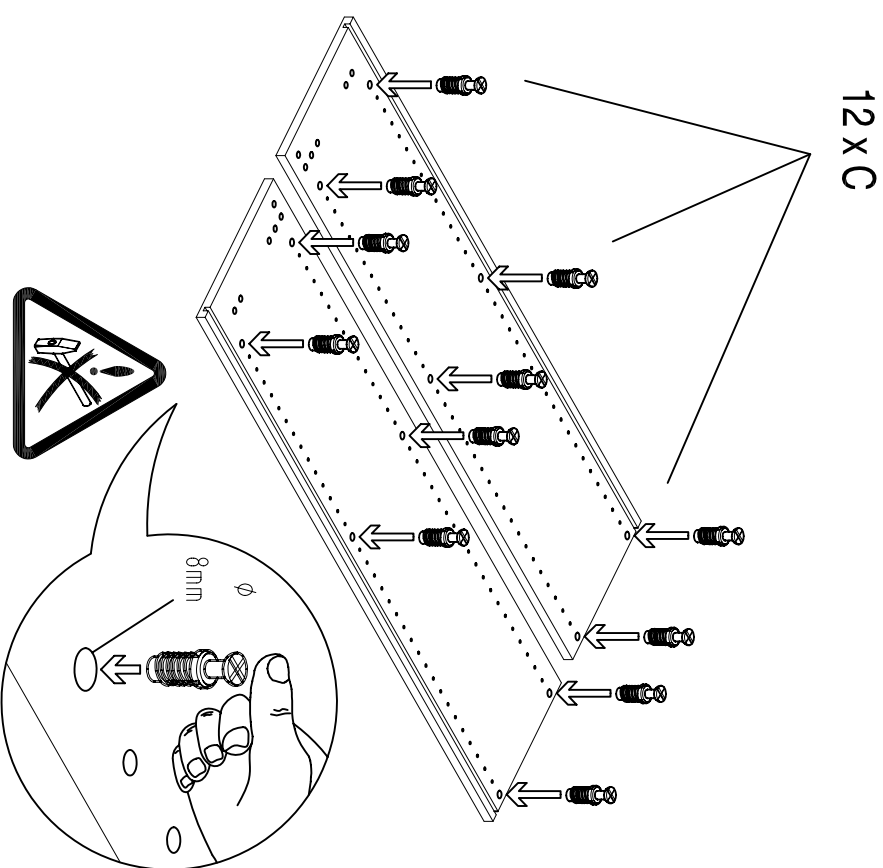
1



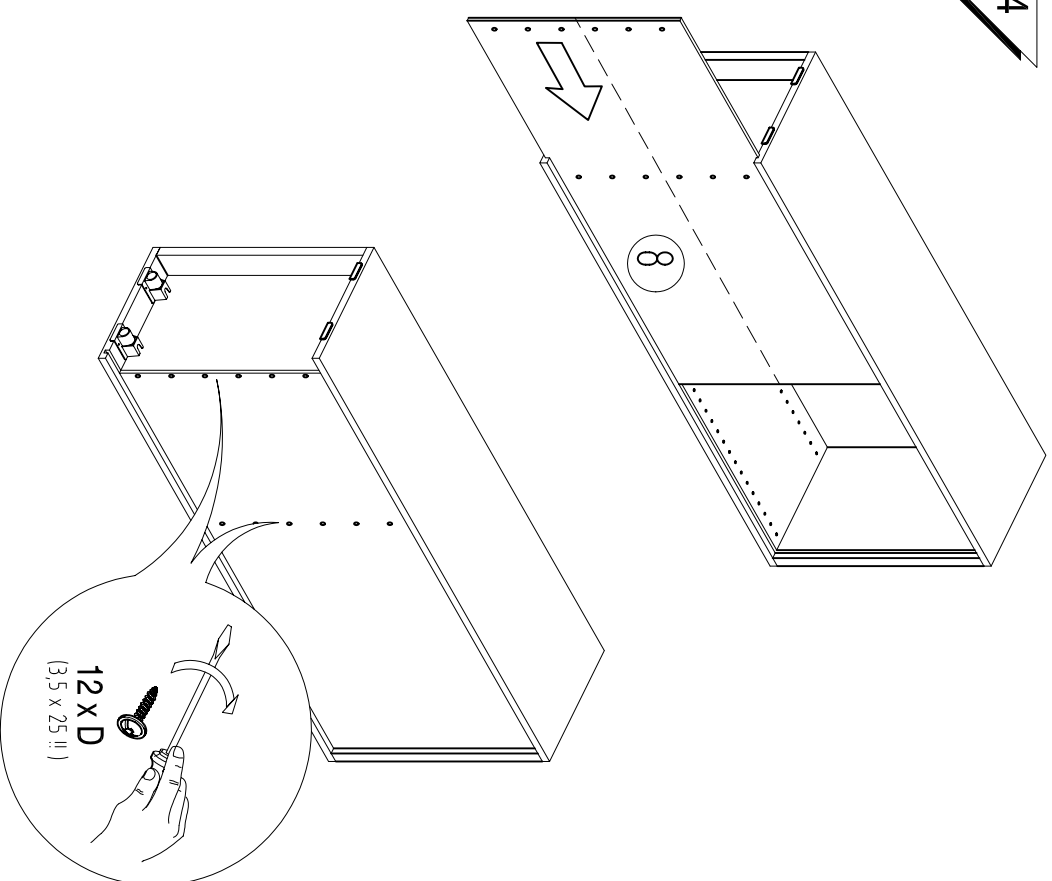
3



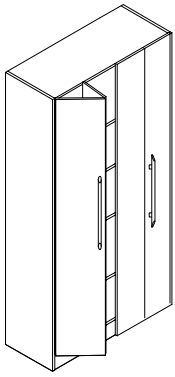
2



4



Assembly instruction : folding doors 7400



6 x A 	24 x B 4,5 x 16 mm	6 x C 	6 x D
4 x E 	2 x F 	4 x G M4 x 25 mm	4 x H
			4 x J 6,3 x 16 mm

• Sie benötigen dieses Werkzeug (tools):

