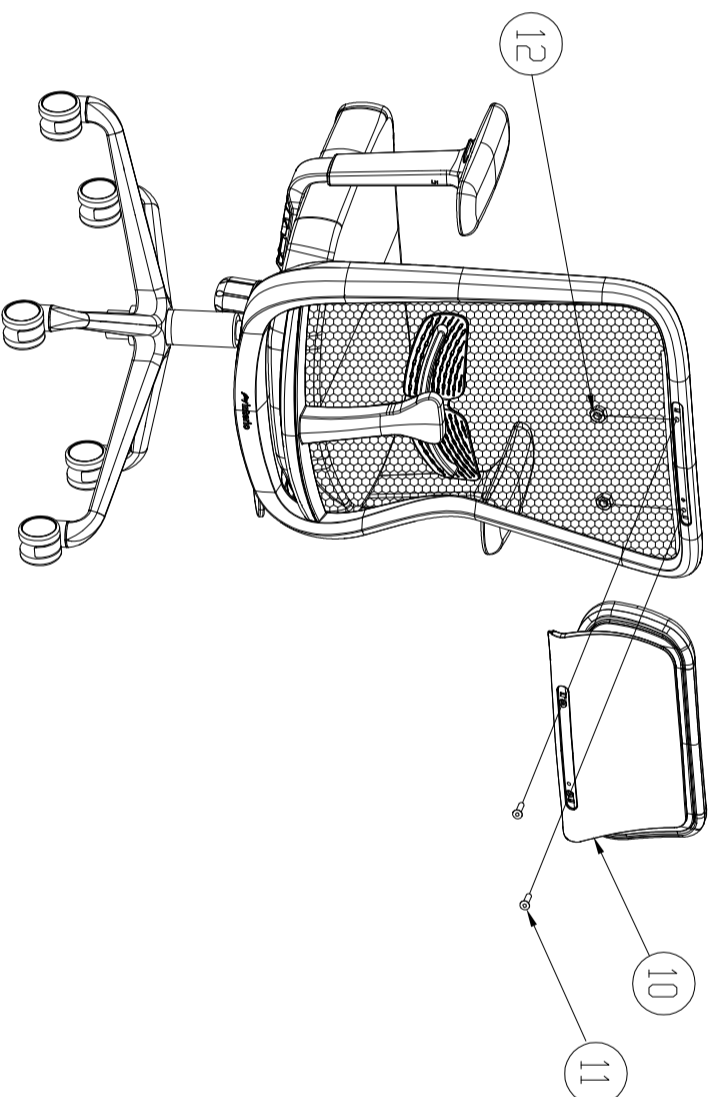
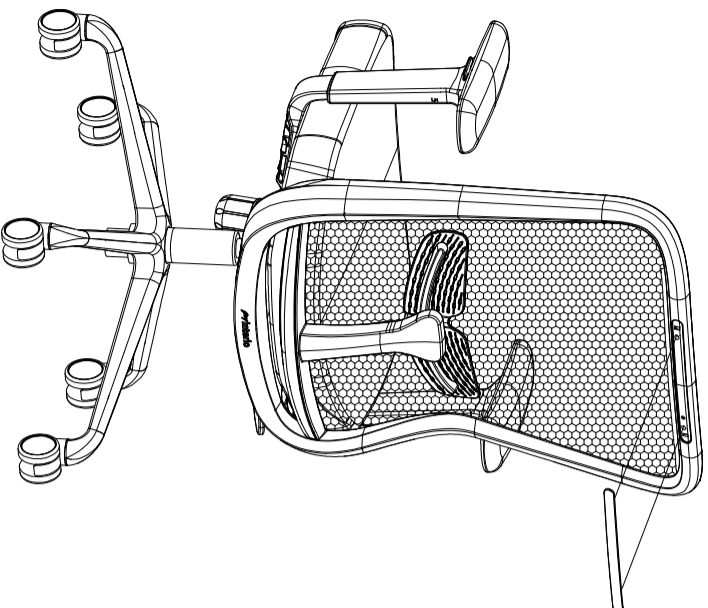
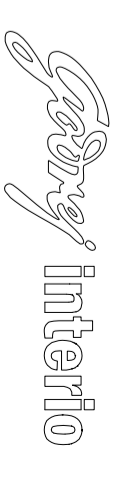
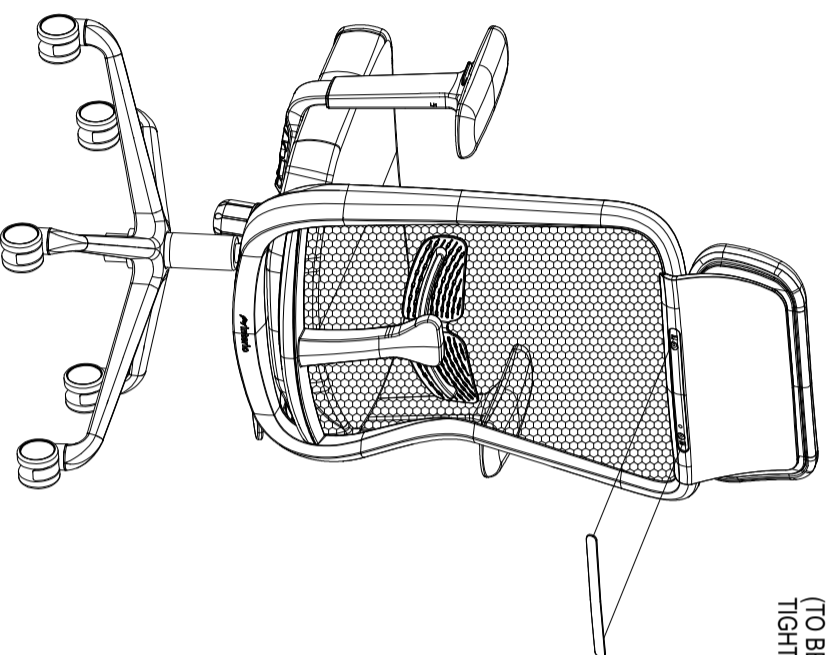
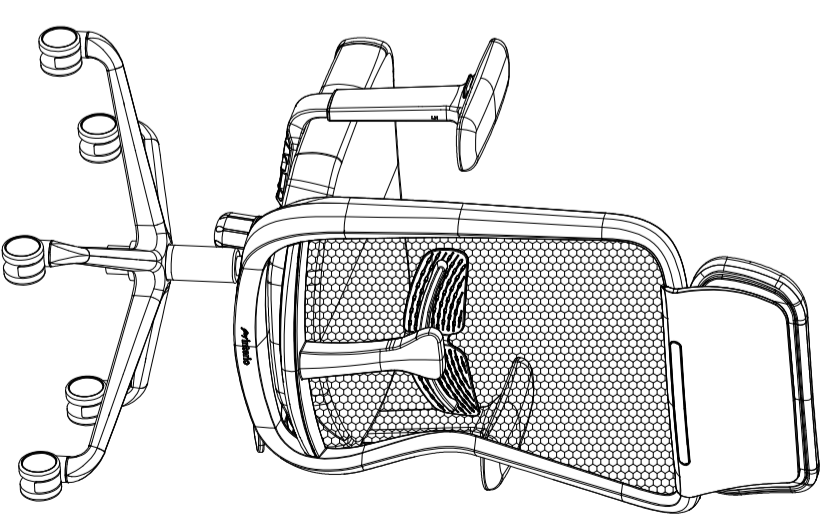


PRODUCT/MODEL: THRILL MESH PLUS CHAIR WITH HEADREST



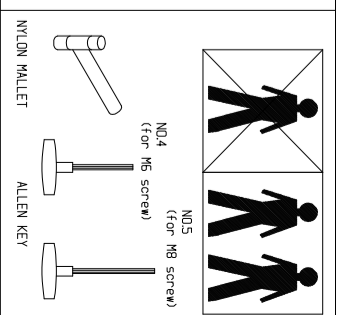
**STEP-5**  
REMOVE THE TOP TRIM FROM THE FRAME.

**STEP-6**  
FIX THE HEADREST ASSEMBLY ON THE FRAME AS SHOWN IN FIGURE.  
(TO BE ASSEMBLED USING A TORQUE WRENCH WITH TIGHTENING TORQUE 6 N-m Max)



**STEP-7**  
FIT THE TOP TRIM ON THE HEADREST AS SHOWN IN THE FIGURE.

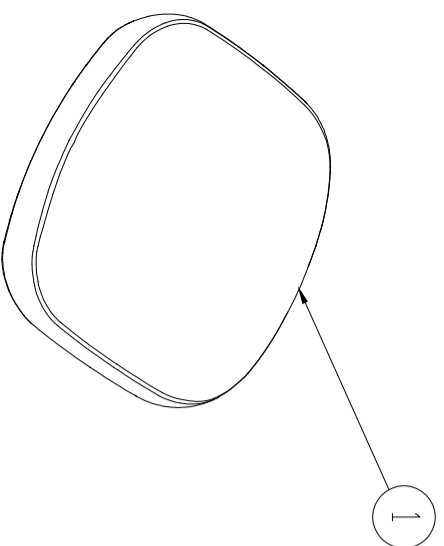
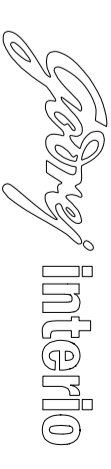
\* PLEASE STUDY THE ASSEMBLY INSTRUCTION CAREFULLY & FAMILIARISE YOURSELF WITH THE PARTS BEFORE ASSEMBLY.  
\* WORK AREA: TABLE TOP WITH CARTON LAID DOWN TO PROTECT THE SUB ASSEMBLY AND OTHER COMPONENTS  
\* ENSURE THAT ALL THE ITEMS LISTED IN PART LIST ARE PRESENT BEFORE ASSEMBLY



REV.	MODIFICATION	MOD. BY	DATE	CH. NOTE NO.

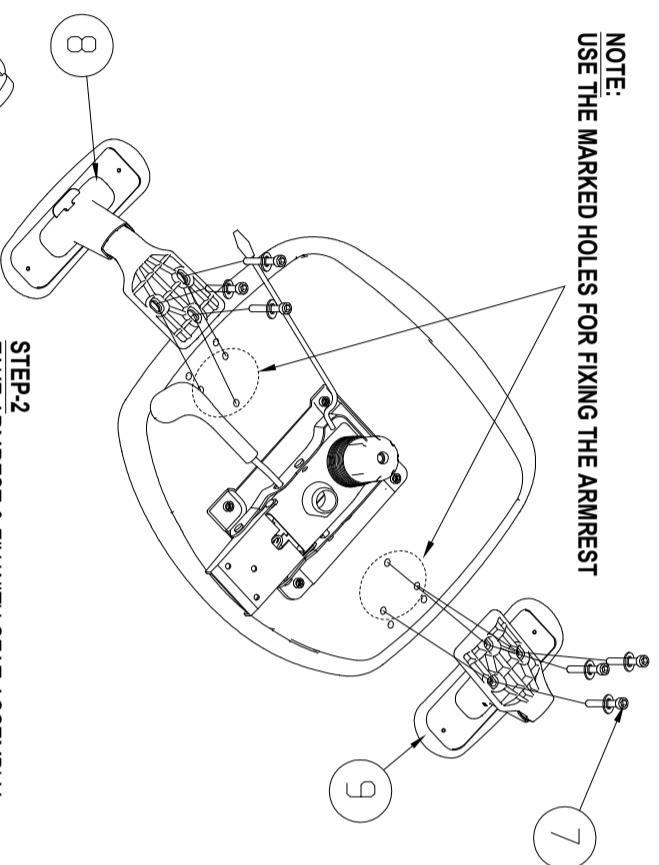
This Document is the copyrighted works of Godrej & Boyce Mfg. Co. Ltd. Godrej & Boyce Mfg. Co. Ltd. reserves all rights whatsoever in the document. Godrej & Boyce Mfg. Co. Ltd. asserts its rights over this document that has been conceived by the dint of its efforts and also views reproduction of this document, as it is or by making cosmetic or other changes, as a violation of its copyright. No part of this document shall be copied or reproduced without the written approval of Godrej & Boyce Mfg. Co. Ltd.

PRODUCT/MODEL: THRILL PLUS MESH CHAIR

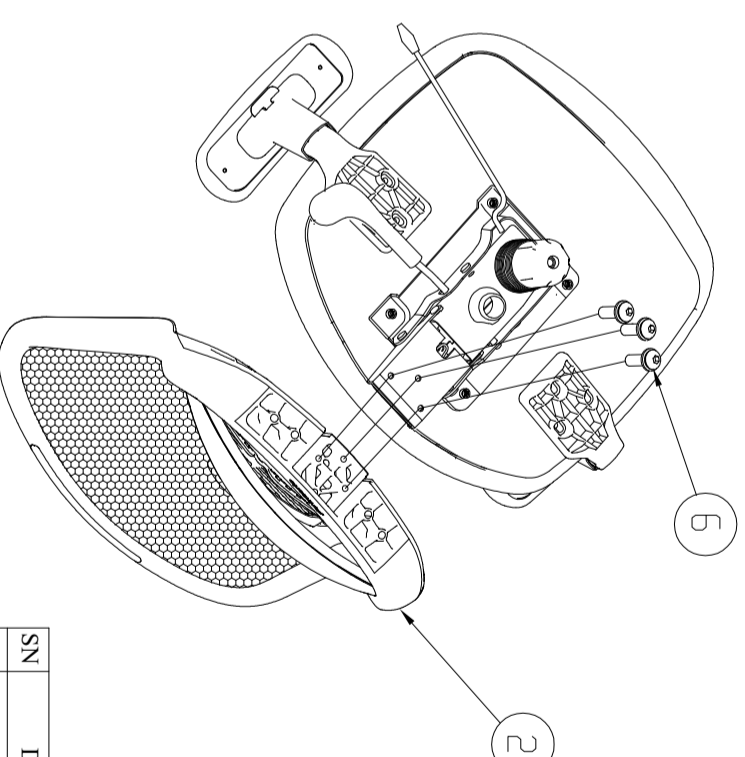


**STEP-1**  
TAKE SEAT ASSEMBLY WITH MECHANISM.  
(MULTI POSITION LOCK WITH SEAT SLIDE FOR  
THRILL PLUS CHAIR)

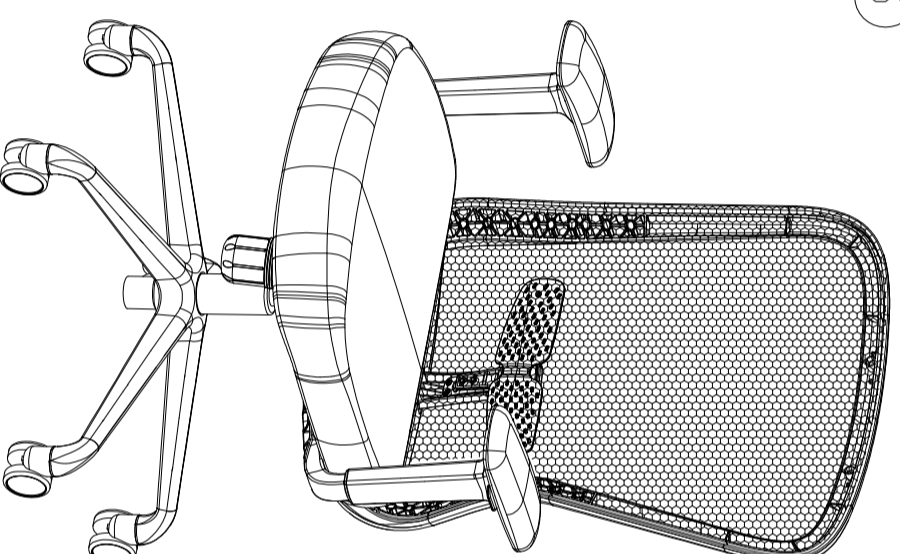
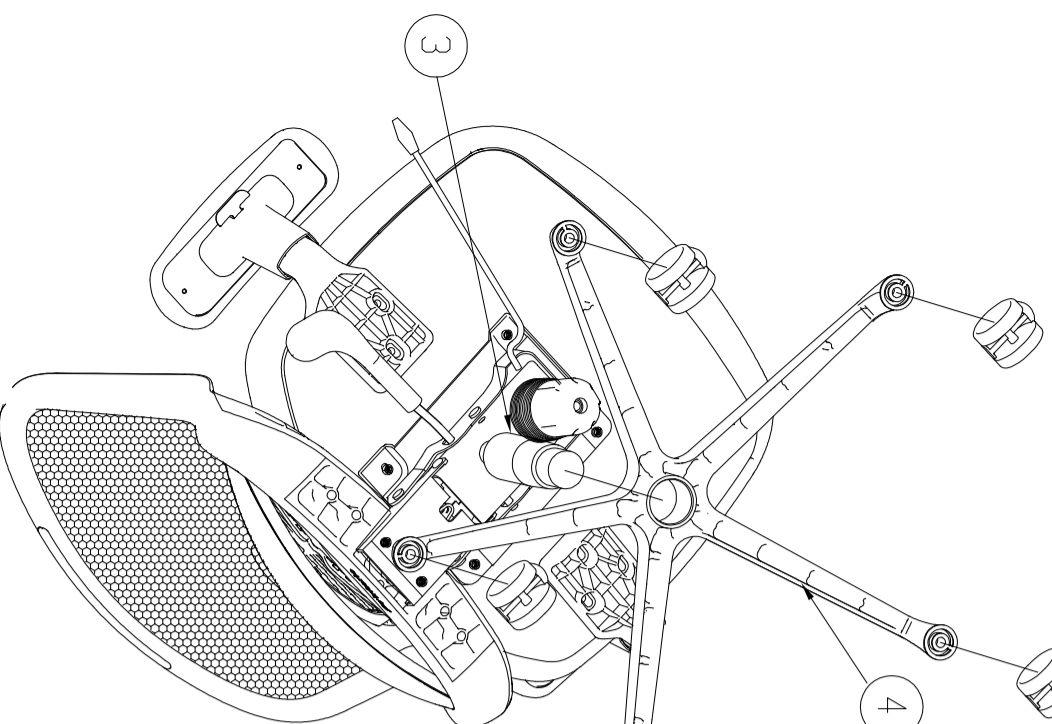
**NOTE:**  
USE THE MARKED HOLES FOR FIXING THE ARMREST



**STEP-2**  
TAKE ARMREST & FIX WITH SEAT ASSEMBLY  
(@SCREW PREFITTED TO SEAT)  
(TO BE ASSEMBLED USING A TORQUE WRENCH WITH  
TIGHTENING TORQUE 6 N-m Max)



**STEP-3**  
TAKE BACK ASSEMBLY & FIX WITH SEAT ASSEMBLY  
(@SCREW PREFITTED TO BACKFRAME)  
(TO BE ASSEMBLED USING A TORQUE WRENCH WITH  
TIGHTENING TORQUE 8 N-m Max)



SN	DESCRIPTION	QTY.
1	THRILL UPH. SEAT WITH CTS MULTI POSITION LOCK AND SEAT SLIDE	1
2	THRILL UPH. BACKFRAME	1
3	GAS LIFT T2	1
4	ALUMINIUM DIE CAST PEDESTAL	1
5	SOFT CASTOR REGAL PU60 HUB DIA 38	5
6	INTEGRATED SOC. BUTTON HD M/C SCREW M8x20	3
7	INTEGRATED SOC. BUTTON HD M/C SCREW M6x30	6
8	THRILL 3D ARMREST	1 RH
9	THRILL 3D ARMREST	1 LH
10	THRILL HEADREST ASSEMBLY	1
11	SOC. BUTTON HD M/C SCREW M6x20	2
12	M6 HEX NUT	2

\* PLEASE STUDY THE ASSEMBLY INSTRUCTION CAREFULLY & FAMILIARISE YOURSELF WITH THE PARTS BEFORE ASSEMBLY.

\* WORK AREA: TABLE TOP WITH CARTON LAID DOWN TO PROTECT THE SUB ASSEMBLY AND OTHER COMPONENTS

\* ENSURE THAT ALL THE ITEMS LISTED IN PART LIST ARE PRESENT BEFORE ASSEMBLY

N4  
(for M6 screw)

N05  
(for M8 screw)

**STEP-4**  
FIT GASLIFT, PEDESTAL & CASTORS.

This Document is the copyrighted works of Godrej & Boyce Mfg. Co. Ltd. Godrej & Boyce Mfg. Co. Ltd. reserves all rights whatsoever in the document. Godrej & Boyce Mfg. Co. Ltd. asserts its rights over this document that has been conceived by the dint of its efforts and also views reproduction of this document, as it is or by making cosmetic or other changes, as a violation of its copyright. No part of this document shall be copied or reproduced without the written approval of Godrej & Boyce Mfg. Co. Ltd.

REV.	MODIFICATION	MOD. BY	DATE	CH.NOTE NO.
A2	CHANGED THE SCREW LENGTH FOR BACK FRAME	SUMIT	03-08-23	
A1	ADDED M6x30 ARMREST SCREWS	SUMIT	24-02-23	DEV.REV.