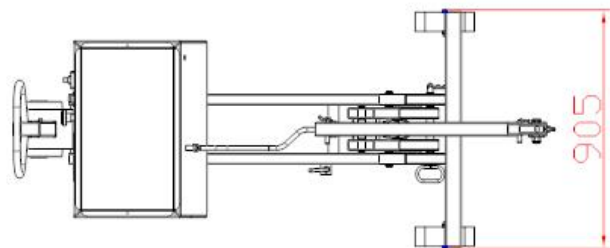
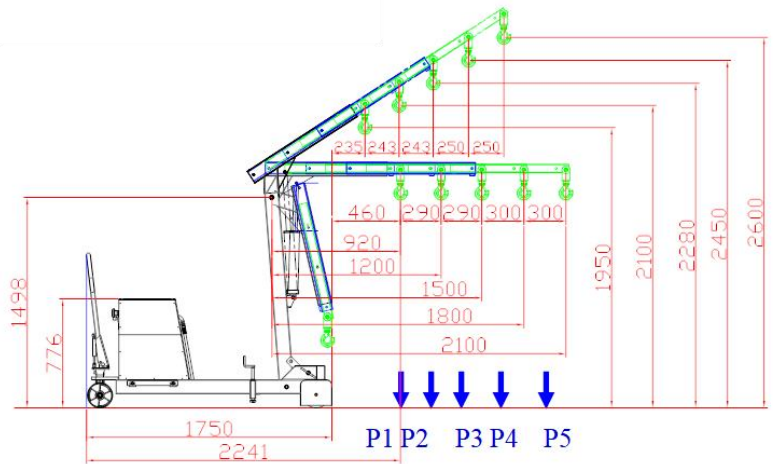
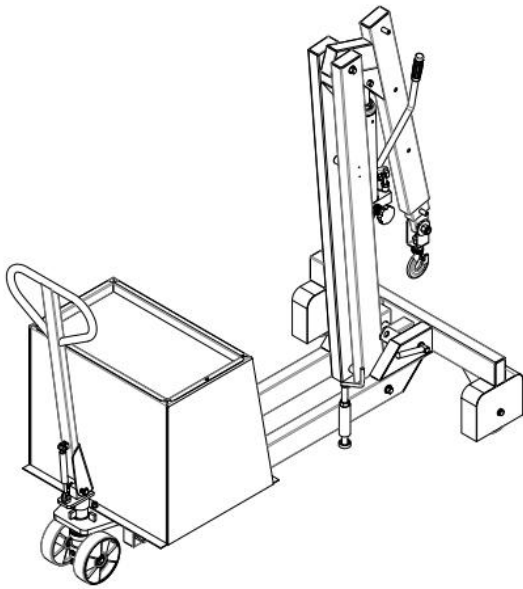


# Manual Balanced Crane

Model: SD-0.55



Model	SD0.55	
Rated Capacity (KG)	P1	550
	P2	400
	P3	300
	P4	220
	P5	150
Net Weight (KG)	530	