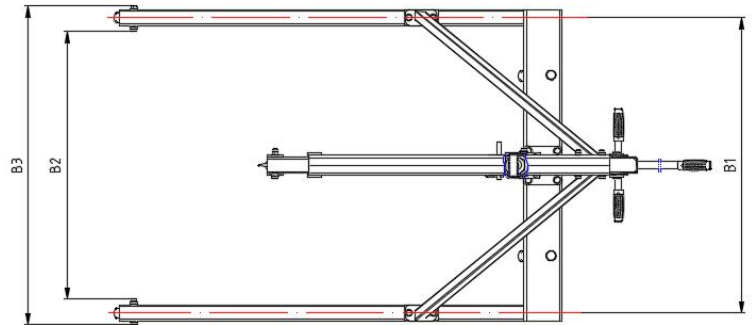
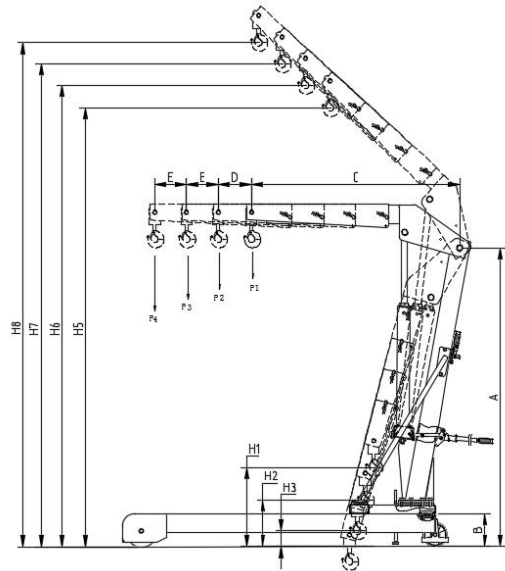


Workshop Crane

Parallel Frame, with double action Pump

Model: SA-2000C



| Model | | SA2000C |
|----------------------------|-----|---------|
| Rated Capacity (KG) | P1 | 2000 |
| | P2 | 1650 |
| | P3 | 1400 |
| | P4 | 1200 |
| Dimensions Parameters (MM) | A | 1882 |
| | B | 209 |
| | C | 1310 |
| | D | 210 |
| | E | 200 |
| | H1 | 440 |
| | H2 | 507 |
| | H3 | 575 |
| | H4 | 643 |
| | H5 | 2225 |
| | H6 | 2310 |
| | H7 | 2400 |
| | H8 | 2475 |
| | B1 | 915 |
| | B2 | 830 |
| B3 | 985 | |