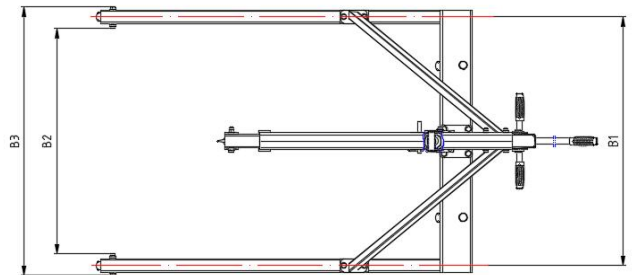
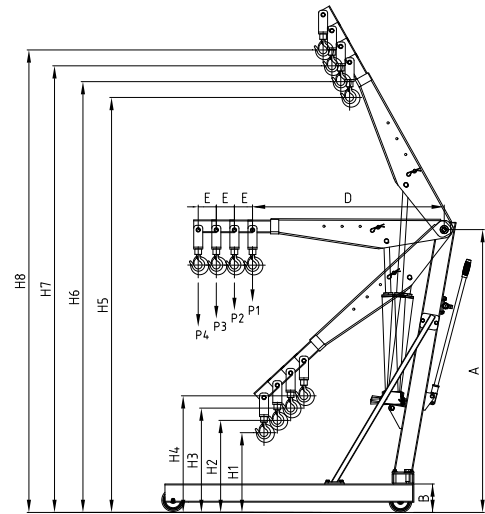


Workshop Crane

Parallel Frame, with double action Pump

Model: SA-1000C



Model		SA1000C
Rated Capacity (KG)	P1	1000
	P2	900
	P3	800
	P4	700
Dimensions Parameters (MM)	A	1596
	B	157
	D	1060
	E	100
	H1	440
	H2	507
	H3	575
	H4	643
	H5	2225
	H6	2310
	H7	2400
	H8	2475
	B1	915
B2	830	
B3	985	