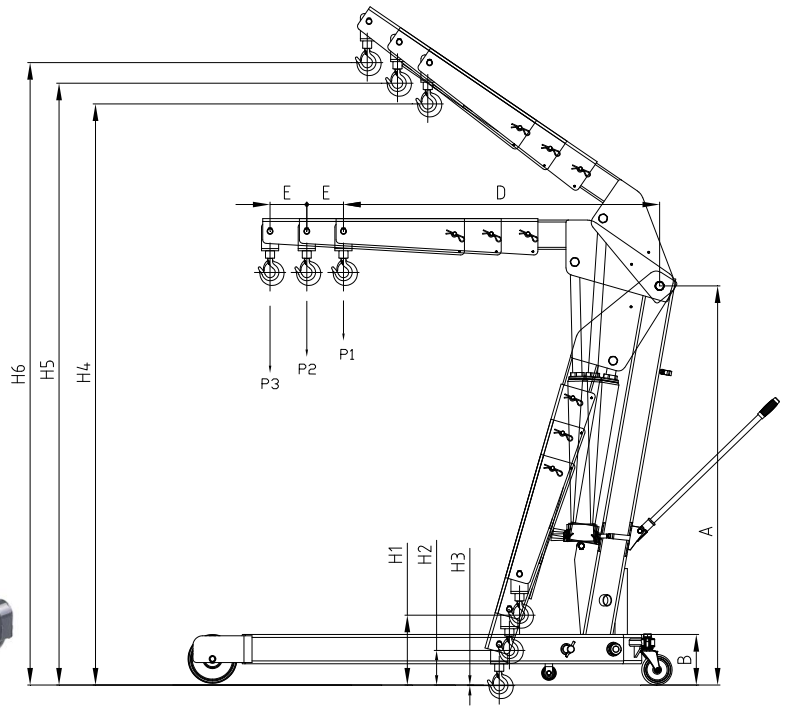


Workshop Crane

Angled Frame, with double action Pump

Model: SC-2000C



Model	SC-2000C	
Rated Capacity (KG)	P1	2000
	P2	1700
	P3	1500
Dimensions Parameters (MM)	A	1635
	B	207
	D	1293
	E	150
	H1	286
	H2	142
	H3	0
	H4	2351
	H5	2436
H6	2520	