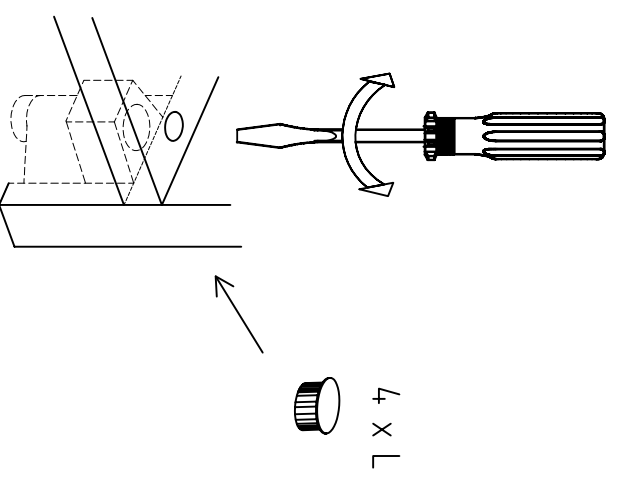
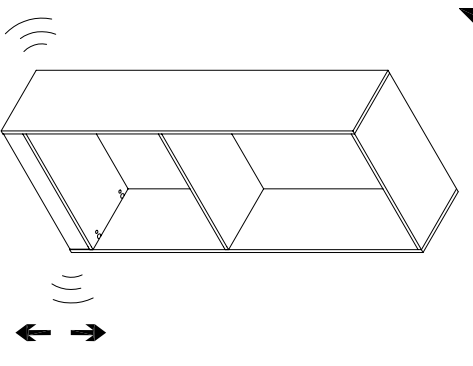
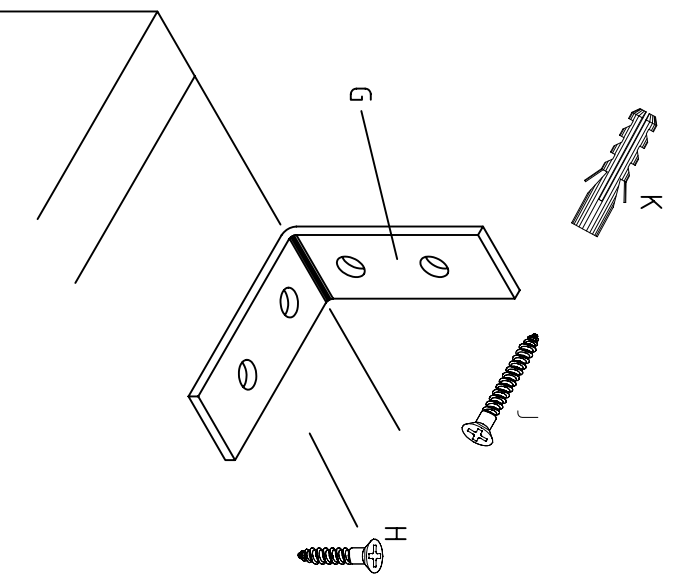
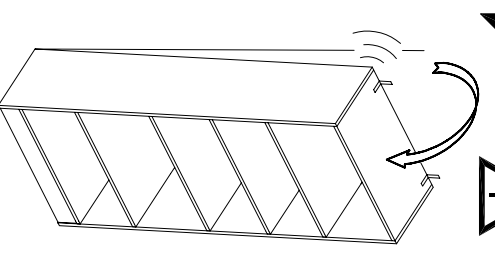


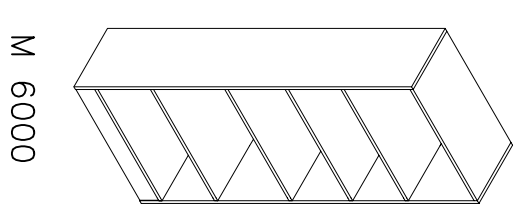
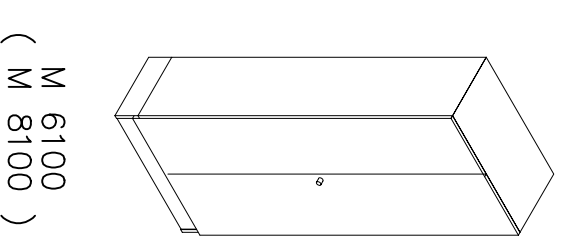
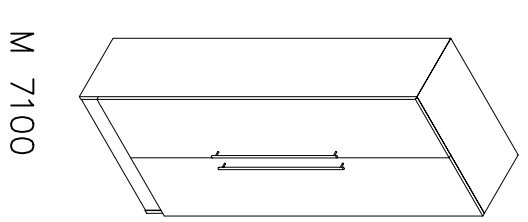
5



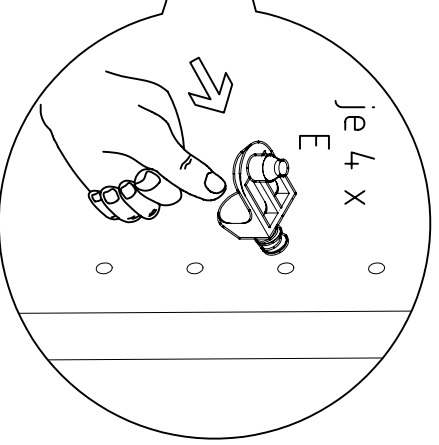
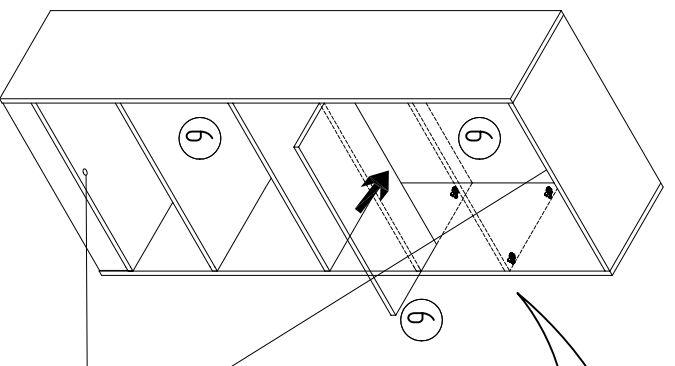
7



Montageanleitung :
Korpus - Regalserie M6.../M7.../M8...
Assembly instruction : corpus - shelves M6.../M7.../M8... series

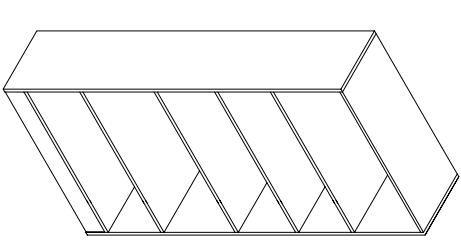
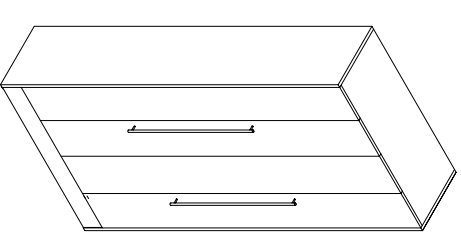
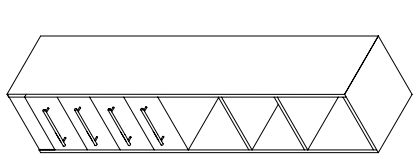
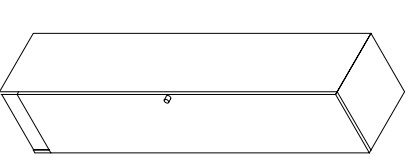
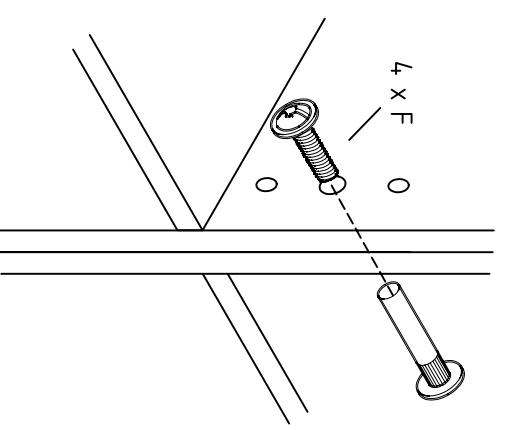
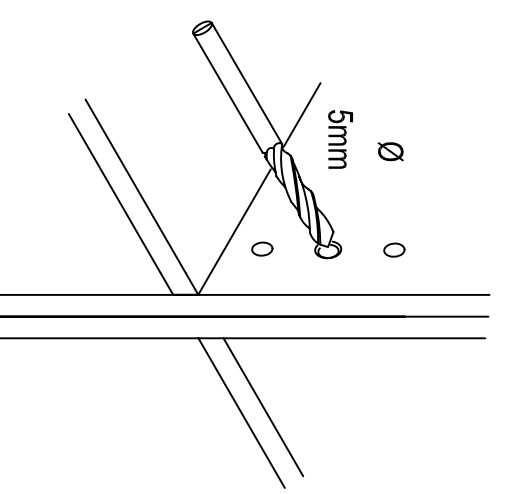
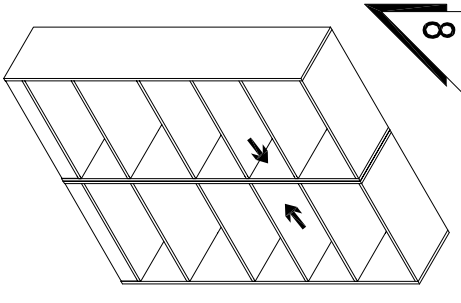


6



2 x M

8

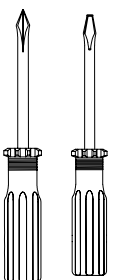
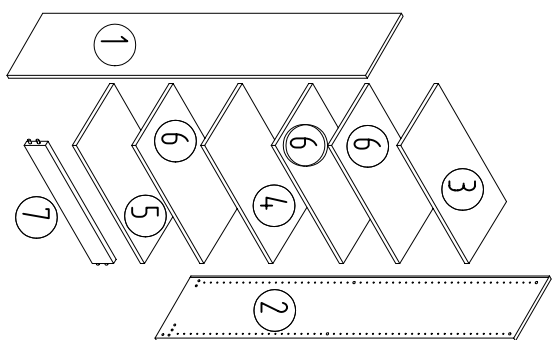
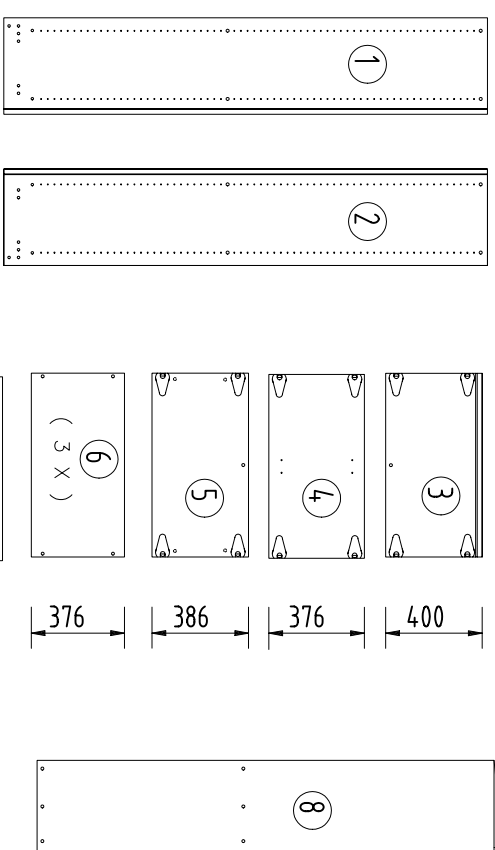


Beschlagbeutel 1: / fittings 1

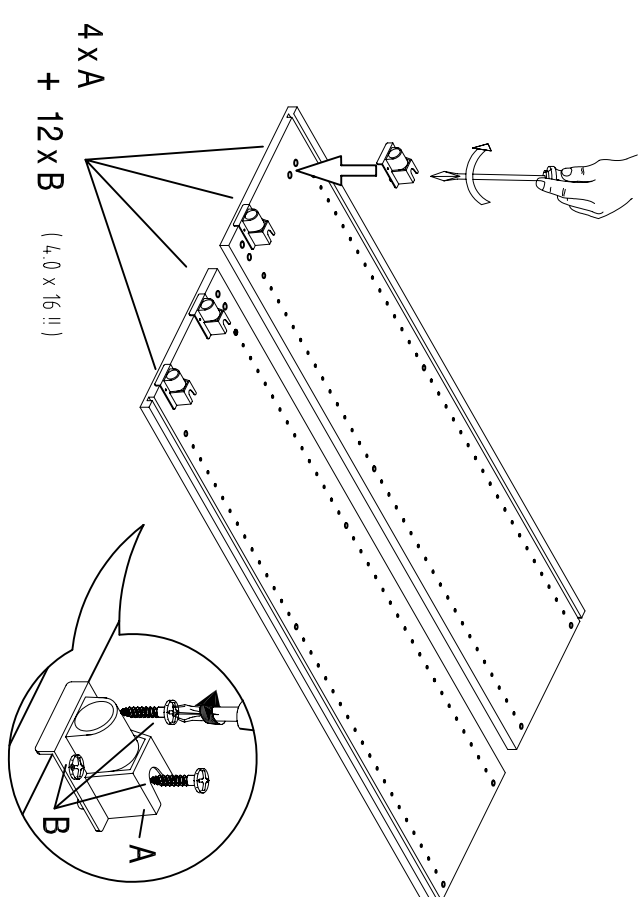
4 x A	12 x B	12 x C	12 x D	12 x E
	(4.0 x 16 mm)		(3.5 x 25 mm)	

Beschlagbeutel 2: / fittings 2

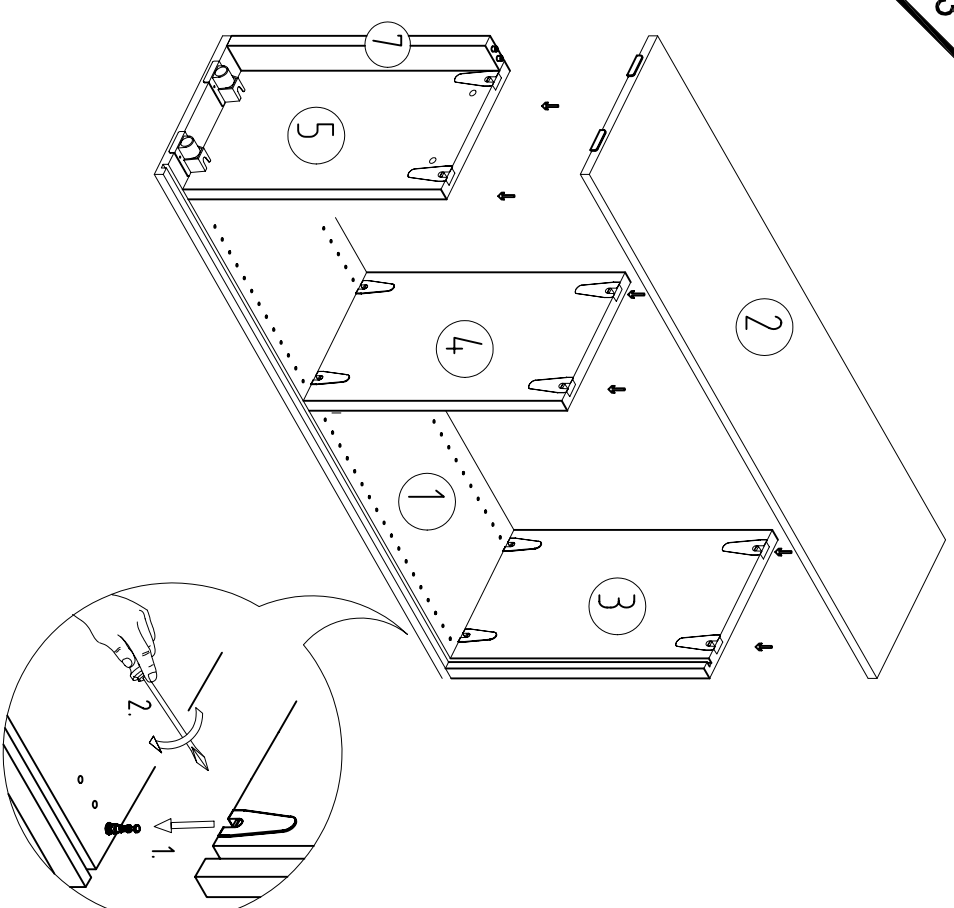
4 x F	2 x G	2 x H	2 x J
		(3.5 x 20 mm)	
2 x K	4 x L	2 x M	
(4.5 x 40 mm)			



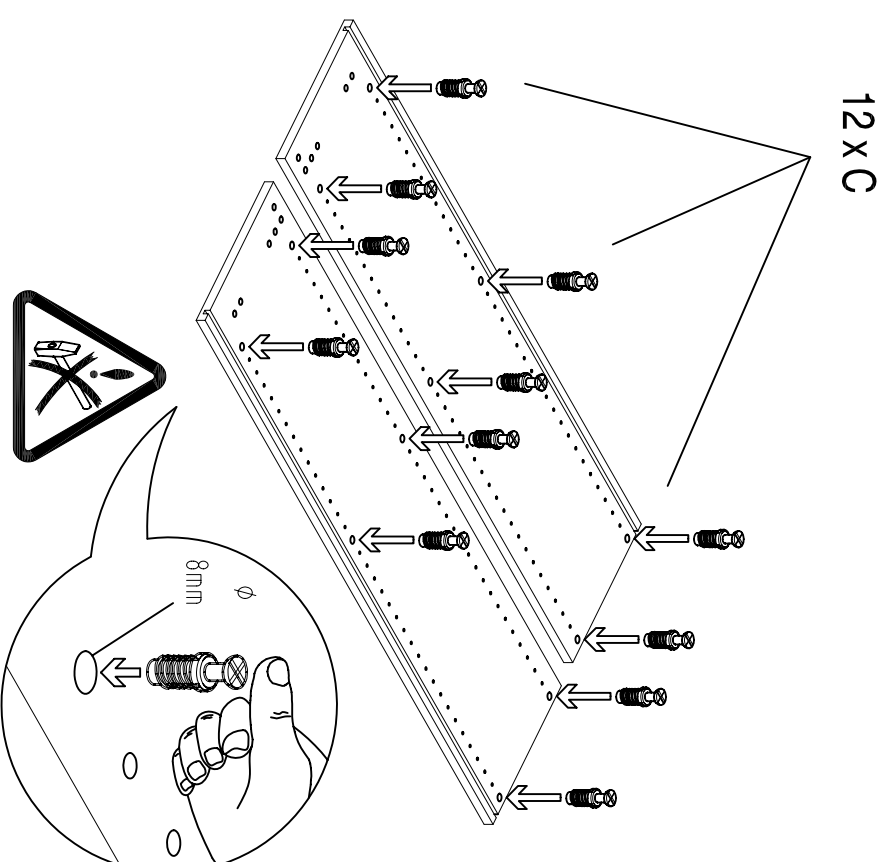
1



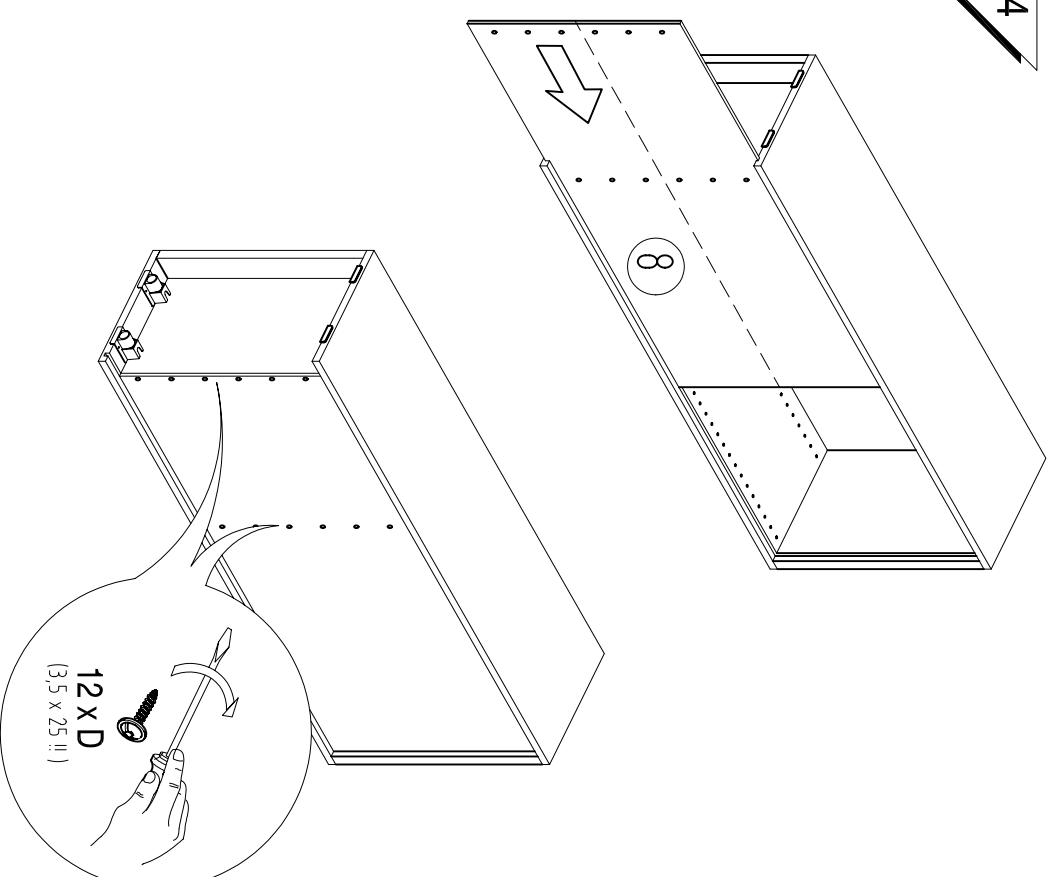
3



2

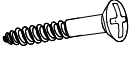
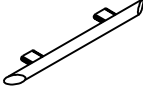



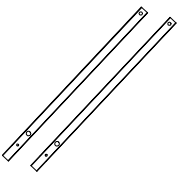

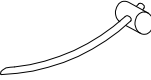


4



Montageanleitung : Schubkästen 7600 / 8600

Assembly instruction : drawers 760../860..

8 x A  (4 x 35 mm)	4 x B 	16 x C  (6,2 x 11 mm)	8 x D  (M4 x 9)	2 x E 	4 x Paar F 
4 x A1 (4 x 23 mm) 	4 x B 				
4 x A2 (4 x 45 mm) 