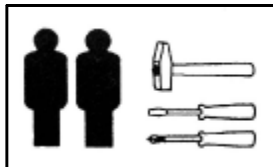
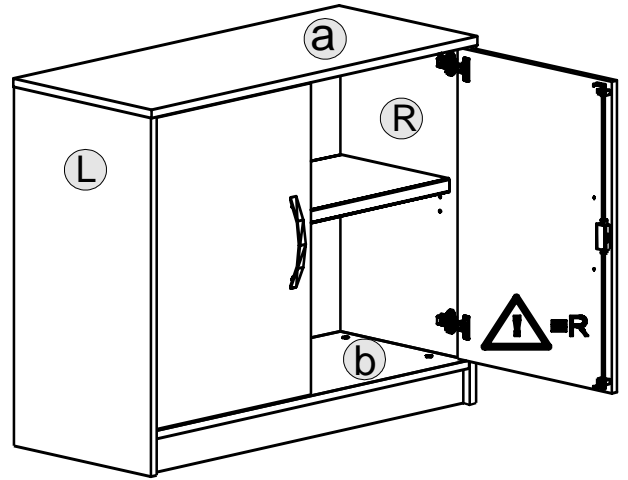


# Flügelürenschrank, 2 OH

Art. Nr. 2381/2381.1/2391

## Montageanleitung



|        |        |        |        |        |        |        |        |        |     |
|--------|--------|--------|--------|--------|--------|--------|--------|--------|-----|
| (A)    | (B) 8x | (C) 8x | (D) 4x | (E) 4x | (F) 4x | (G) 2x | (H) 2x | (I) 1x |     |
|        |        |        |        |        |        |        |        |        |     |
| (K) 4x | (L) 2x | (M)    | (N) 4x | (O) 2x | (P) 1x | (S)    |        |        | (V) |
|        |        |        |        |        |        |        |        |        |     |
| 4x22   | 4.8x16 | 3.5x16 | 6x10   |        | 4x35   | 3.5x20 |        |        |     |

