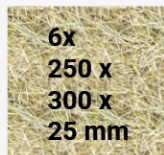
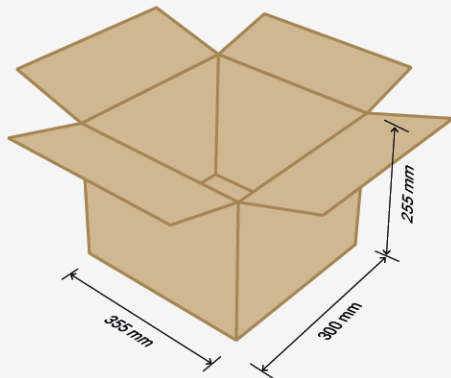


Aufbau/Assembly

Landbox® 15 l



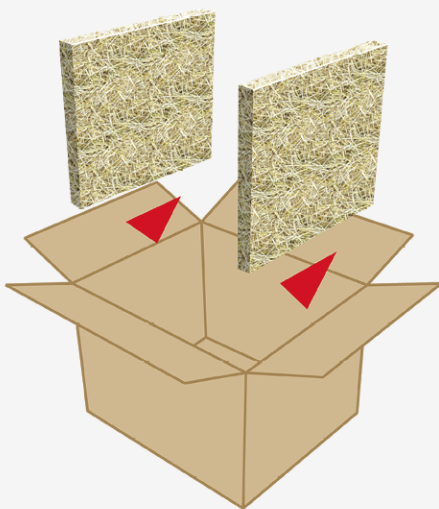
Stroh/straw



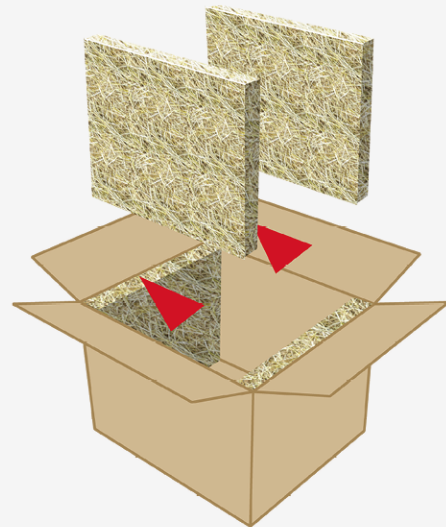
Lieferumfang/ Items included

- **Karton/Box**
(355mm x 300mm x 255mm)
- **6 x Paneel/Panel**
(250mm x 300mm x 25mm)

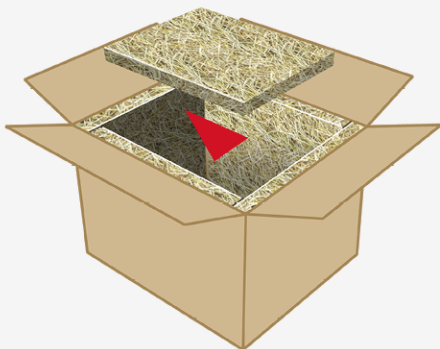
1



2

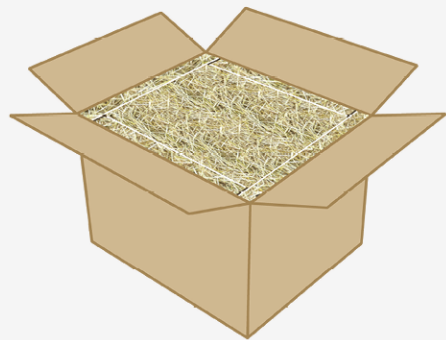


3



Boden/Bottom

4



Deckel/Lid