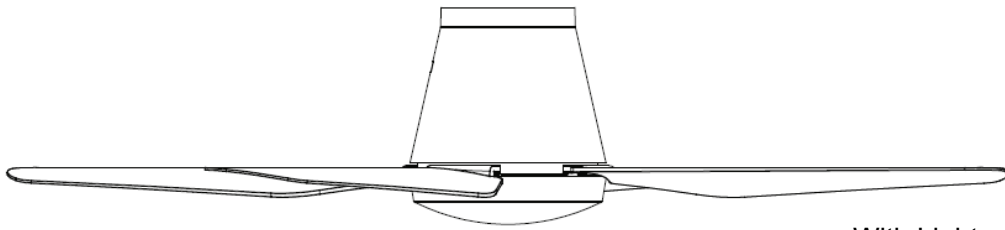


Without Light



With Light

LUCCI AIR ARIA CTC CEILING FAN

- INSTALLATION
- OPERATION
- MAINTENANCE
- WARRANTY INFORMATION

CAUTION

**READ INSTRUCTIONS CAREFULLY FOR SAFE
INSTALLATION AND FAN OPERATION.**



CONTENTS

GB	Installation instruction manual	2
D	Installationsanleitung	13
F	Guide d'installation.....	25
E	Manual de instrucciones de instalación.....	37
I	Manuale delle istruzioni di installazione.....	49
NL	Installatiehandleiding.....	61
EL	Εγχειρίδιο οδηγιών εγκατάστασης	73

Contact:**Beacon International Ltd**

Hong Kong Head Office: Room 05, 18/F, Kimberland Center, 55 Wing Hong Street, Cheung Sha Wan Kowloon, Hong Kong
Tel +852 34915904 Fax +852 34915917

China showroom / Office: 11/FI, Guzhen Lighting Building B, Mid Zhongxing Road, Guzhen, Zhongshan, GuangDong, China.

Tel: +86 760 8986 6388 Fax: +86 760 8986 6380

info@beaconinternational.com

www.beaconinternational.com

Beacon Lighting Europe GmbH

Campus Fichtenhain 42, 47807 Krefeld, Germany

TEL +49 (2151) 325 82 39 FAX +49 (2151) 325 70 65

sales@beaconlighting.eu

www.beaconlighting.eu




GB**THANK YOU FOR PURCHASING**


Thank you for purchasing this quality Lucci product. To ensure correct function and safety, please read and follow all instructions carefully before assembly, installation and use of this ceiling fan. Please keep instructions for future reference.

SAFETY PRECAUTIONS

1. This appliance can be used by children aged from 8 years and above and persons with reduced physical, sensory or mental capabilities or lack of experience and knowledge if they have been given supervision or instruction concerning the use of the appliance in a safe way and understand the hazards involved. Cleaning and maintenance shall not be undertaken by children without supervision.
2. Children should be supervised to ensure that they do not play with the appliance.
3. An all-pole disconnection switch must be incorporated into the fixed wiring, in accordance with local wiring rules.



4.  Do not dispose of electrical appliances as unsorted municipal waste, use separate collection facilities. Contact your local government for information regarding the collection systems available. If electrical appliances are disposed of in landfills or dumps, hazardous substances can leak into the ground water and get into the food chain, damaging your health and well-being.
5. The structure to which the fan is to be mounted must be capable of supporting a weight of 23kg.
6. The fan should be mounted so that the blades are more than 2.3 m above the floor in Europe
7. This fan is suitable for indoor, alfresco and coastal areas where the fan is fully undercover with a minimum of 1 wall. This fan is not waterproof. When installed in an alfresco or coastal area, the ceiling fan must be positioned in a location protected from water, wind and dust. Exposure to these elements will void the warranty. Mounting the fan in a situation where it is subject to water or moisture is dangerous and may increase the risk of damage, injury or electrical shock and will void the warranty.
8. Electrical installation should be performed by a qualified licensed electrician.
9. **WARNING:** If unusual wobbling or oscillating movement is observed, immediately stop using the ceiling fan and contact the manufacturer, its service agent or suitably qualified persons.
10. The replacement of parts of the safety suspension system device shall be performed by the manufacturer, its service agent or suitably qualified persons.
11. The fixing means for attachment to the ceiling such as hooks or other devices shall be fixed with a sufficient strength to withstand 4 times the weight of the ceiling fan; that the mounting of the suspension system shall be performed by the manufacturer, its service agent or suitably qualified persons.


12.  caution, risk of electric shock



PARTS LIST

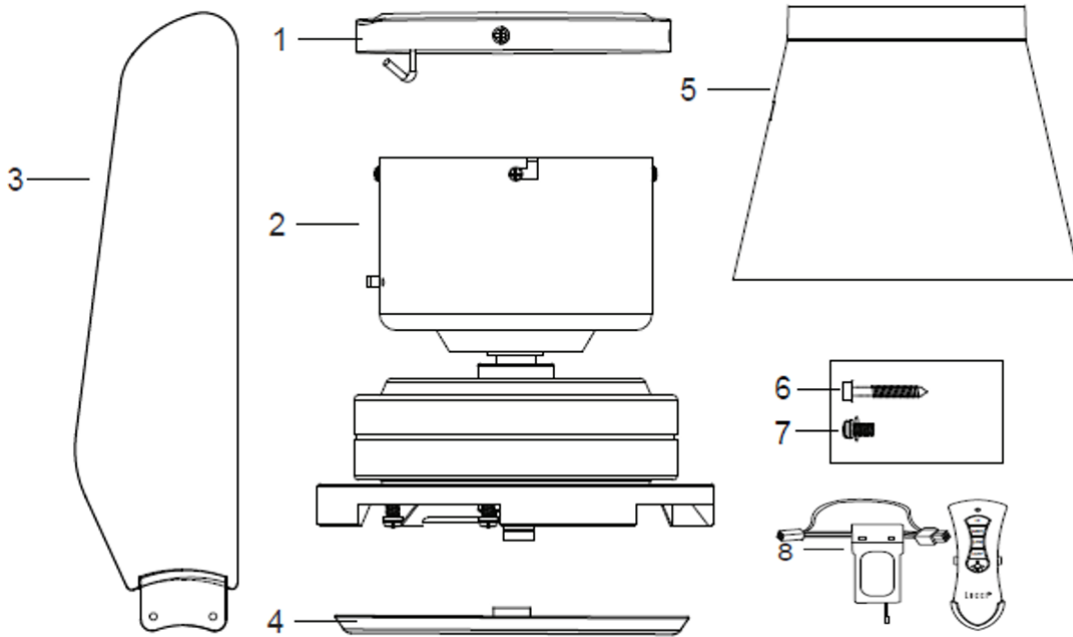
- Unpack your ceiling fan carefully. Remove all parts and hardware.
- Lay out all the components on a smooth surface and make sure there are no components missing before assembling. If parts are missing, return the complete product to the place of purchase for inspection or replacement.
- Check whether the ceiling fan has been damaged during transport. Do not operate/install any product which appears damaged in any way. Return the complete product to the place of purchase for inspection, repair or replacement.
- Examine all parts, you should have the following list and Fig.1:

Fan with remote controller (no light kit) (SKU# 212999 & 213000)		Fan with remote controller (with light kit) (SKU# 213001 & 213002)	
1	Mounting bracket x 1	1	Mounting bracket x 1
2	Motor assembly x 1	2	Motor assembly x 1
3	Blades x 4	3	Blades x 4
4	Bottom motor cover x 1	4	LED light kit x 1
5	Motor housing cover x 1	5	Motor housing cover x 1
6	Mounting screws x 4	6	Mounting screws x 4
7	Spare screw for fan blade x 1	7	Spare screw for fan blade x 1
8	Remote receiver and remote x 1 set	8	Remote Receiver and Remote x 1 set



This fan is suitable for indoor, alfresco and coastal areas where the fan is fully undercover with a minimum of 1 walls. This fan is not waterproof. When installed in an alfresco or coastal area, the ceiling fan must be positioned in a location protected from water, wind and dust. Exposure to these elements will void the warranty. Mounting the fan in a situation where it is subject to water or moisture is dangerous.

Fan with remote controller (no light kit) SKU# 212999 & 213000



Fan with remote controller (with light kit) SKU# 213001 & 213002

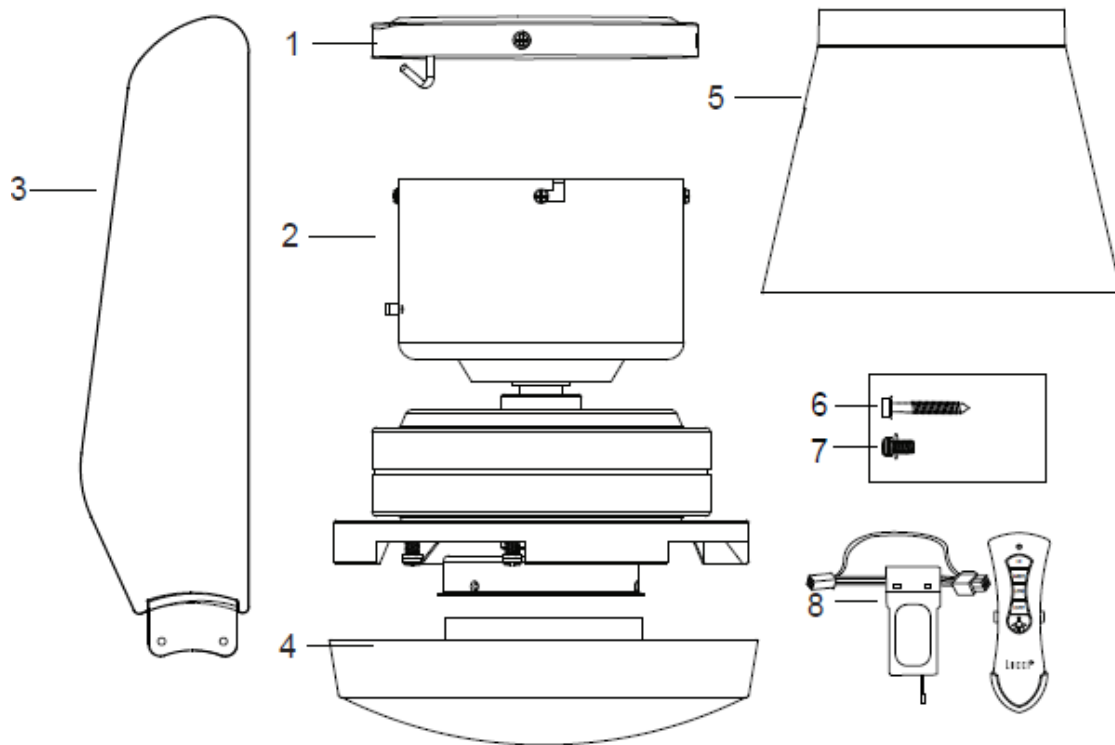



Fig. 1

 This fan is suitable for indoor, alfresco and coastal areas where the fan is fully undercover with a minimum of 1 walls. This fan is not waterproof. When installed in an alfresco or coastal area, the ceiling fan must be positioned in a location protected from water, wind and dust. Exposure to these elements will void the warranty. Mounting the fan in a situation where it is subject to water or moisture is dangerous.

INSTALLING THE MOUNTING BRACKET

- The ceiling fan must be installed in a location so that the blades are spaced 300mm from the tip of the blade to the nearest objects or walls.
- Install the hanging bracket to the ceiling joist or structure that is capable of carrying a load of at least 23kg, with the 4 long screws provided. Ensure at least 30mm of the screw is threaded into the support. (Fig. 2)

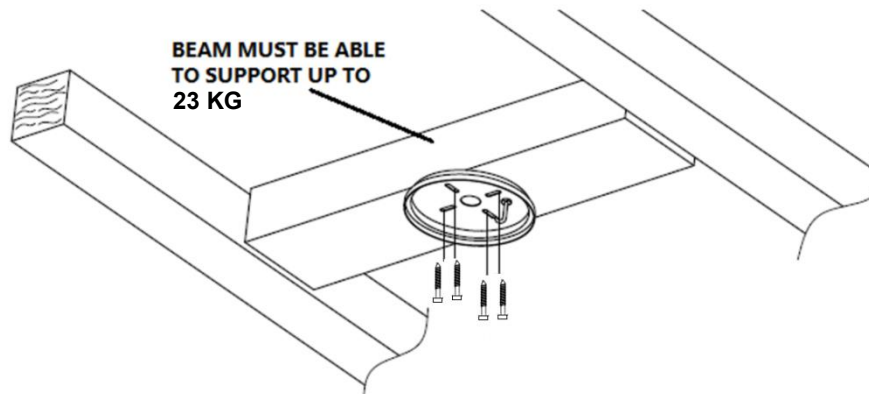


Fig. 2

NOTE: The bracket screws provided are for use with wooden structures only. For structures other than wood, the appropriate screw type **MUST** be used. Ensure the screws used are suitable for the mounting surface and the surrounding environment.

ANGLED CEILING INSTALLATION

This fan hanging system **DOES NOT** support a degree angled ceiling installation.

HANGING THE FAN TO MOTOR ASSEMBLY

- Install the motor housing (1) onto the motor assembly. (Fig.3)
- Lift the fan assembly up to the mounting bracket. Hang the fan assembly onto the J-hook (2) of the mounting bracket. (Fig.4)
- Complete the electrical wiring according to the 'ELECTRICAL WIRING DIAGRAM' section below.

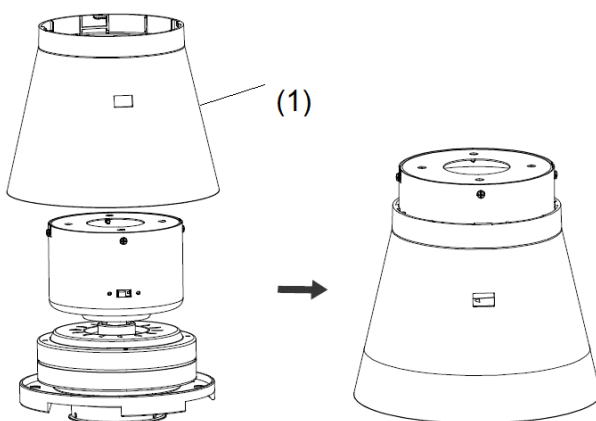


Fig. 3

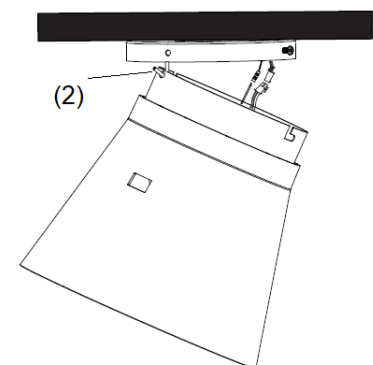


Fig. 4

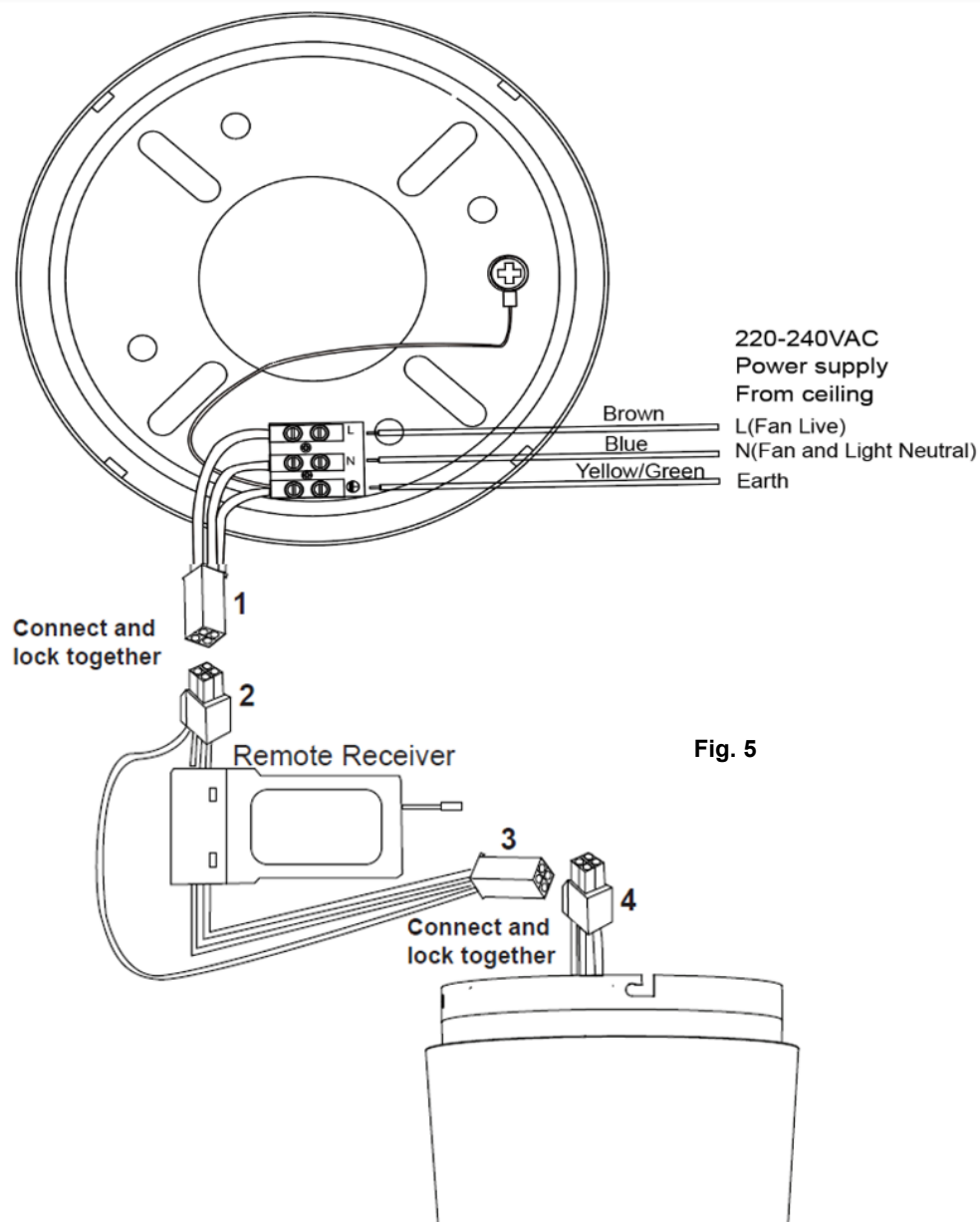


ELECTRICAL WIRING THE FAN

NOTE: Wiring diagram includes the light kit wiring. The light wiring diagram and switch is omitted when no light kit is used with the ceiling fan.

MODELS WITH REMOTE CONTROLLER WIRING DIAGRAM (Fig.5):

- Make the wire connection L, N, and Earth to the mounting bracket terminal block as shown the diagram below in Fig. 5.
- Plug the quick connectors from the mounting bracket (1) and from the Remote receiver (2) together and ensure they lock.
- Plug the quick connectors from the remote receiver (3) and from the Fan (4) together and ensure they lock.
- Place the Remote receiver into the hanging canopy cavity of the motor assembly with the other internal wiring.



INSTALL THE FAN ASSEMBLY TO THE MOUNTING BRACKET

- After completing the electrical connection at the mounting bracket terminal block;
 - connect the remote receiver, and ceiling fan via the quick connector;
- Ensure the earth wiring is secure and correct, by performing an earthing continuity test from the fan's accessible metal body back to the earth terminal at the terminal block on the mounting bracket.

Install the fan assembly to the mounting bracket (Fig.6)

- There are 4 screws pre-installed on the mounting bracket:
 - Loosen two canopy screws with star washer (2) by half thread from the mounting bracket. (For L-shape slot on canopy to be mounted).
 - Loosen two canopy screws (1) and remove from the mounting bracket.
- Lift the hanging canopy of the fan assembly up to the mounting bracket and let the L-shape slot on the hanging canopy go through the two canopy screws with star washer (2).
- Turn the hanging canopy until it locks in place at the end section of the L-shape slot, ensure the star washer are between the hanging canopy (3) and screw head. Secure it by tightening the two canopy screws with star washer (2).
- Secure and tighten the canopy screws (1) to the mounting bracket. The hanging canopy (3) shall have 4 screws (1) & (2) in total. Avoid damaging the electrical wiring prepared previously when hanging the canopy.
- Finally attach the canopy cover (4) to the mounting bracket, secure it by pushing the hooks of the canopy cover into the slot holes of the hanging canopy and turn it anti clockwise.

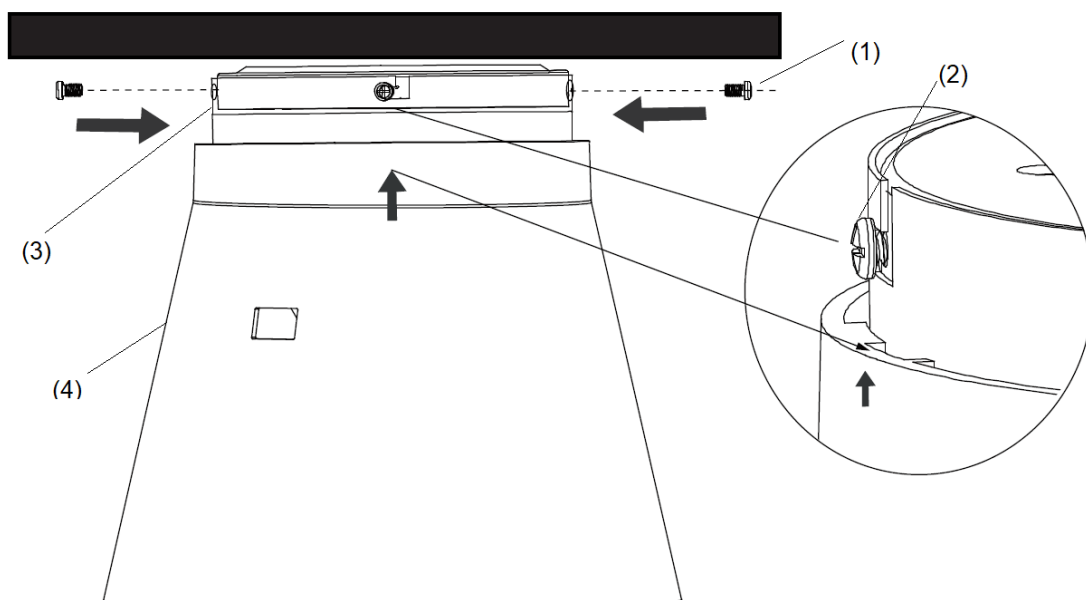


Fig. 6



INSTALLING THE FAN BLADE AND LIGHT KIT**BLADE ATTACHMENT (Fig.7)**

1. Before installing the blades, remove the blade screws and flat washers from the bottom of fan motor.
2. Align the 2 holes on the blade with the 2 holes on the rotating member of fan motor assembly and using the 2 blade screws in step 1, to secure the blade to the fan motor assembly.
Ensure all screws are tightened evenly to reduce the chance of warping or unbalancing. Take care not to over tighten the screws, as this can damage the blades.
3. Once completed, repeat the process on the remaining blades.

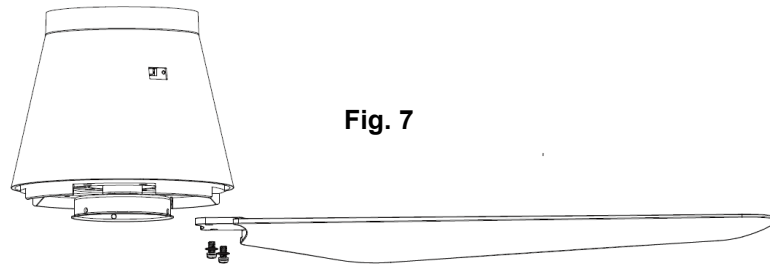


Fig. 7

INSTALLING THE BOTTOM COVER (FOR FAN WITHOUT LIGHT Fig.8)

Secure the bottom motor cover to the fan by turning it clockwise.

FOR SKU# 212999 & 213000

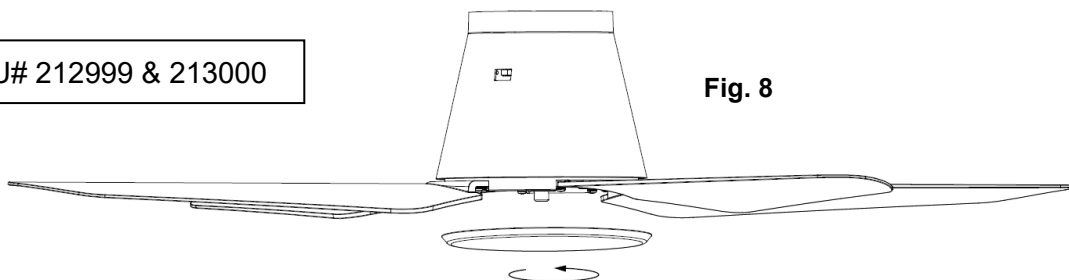


Fig. 8

INSTALLING THE LED LIGHT KIT (FOR FAN WITH LIGHT Fig.9)

- Attach the LED light kit to the lamp base and connect wires to the LED light kit via the quick connectors.
- Secure the LED light kit on the lamp base by turning the LED light kit body clockwise. Take care not to cross thread or twist and damage the wires.

FOR SKU# 213001 & 213002

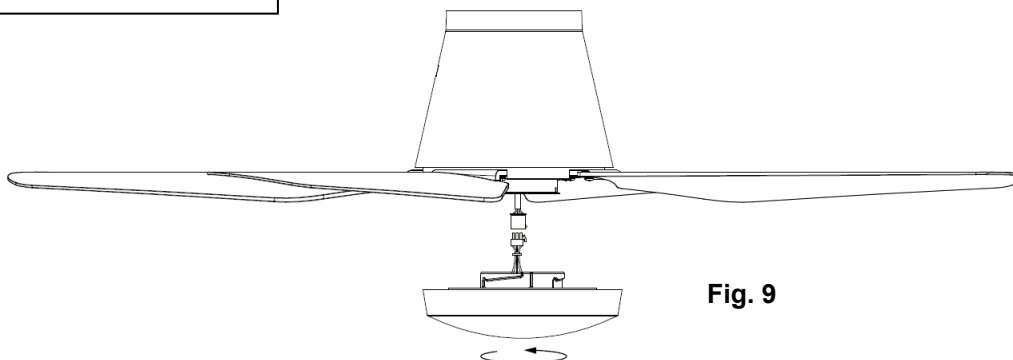


Fig. 9



USING YOUR CEILING FAN – REMOTE CONTROLLER

Your ceiling fan is controlled via the remote control. There are 4 buttons (HI, MED, LOW, OFF) to control the fan speed and one button to control light on/off. **Fig. 10**

Before operating the remote, the following must be considered.

- 2 x AAA 1.5V (size) batteries are required to operate the remote control. Remove the battery cover from the back of the remote and insert 2 x AAA batteries. Ensure the polarities are correct as shown in the battery compartment. **(Fig.11)** (Batteries not included.)
- The remote (transmitter) and receiver must be configured so that communication between each other is paired up. This is achieved by setting the DIP switch on the receiver and remote on the same setting. **(Fig. 12)**

Note: The DIP switch assembly has 4 switches which can be setup to 16 different transmitting code combinations. This is practical when there is more than 1 remote/receiver pair operating locally or in the same room.

Note: To access the receiver DIP switches, remove the DIP switch cover.



Fig. 11 Remote battery compartment

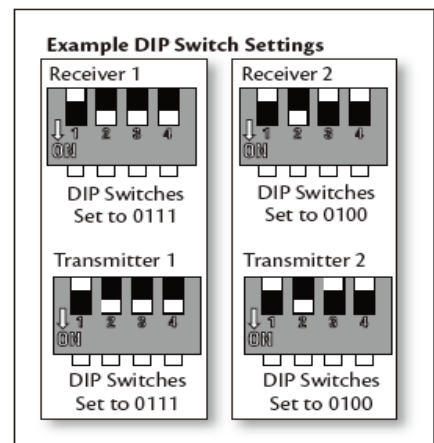


Fig. 12 Receiver DIP switch

OPERATING THE REMOTE:

Before you start using the remote, take the time to read through this section and get familiar with the buttons and function of each button.

LED Indicator

The red LED indicator on the top of the transmitter will flash when the buttons are active.

BUTTONS ON THE REMOTE

- HI:** Press the button to set fan running at High speed.
- MED:** Press the button to set fan running at Medium speed.
- LOW:** Press the button to set fan running at Low speed.
- OFF:** Press the button to turn OFF the fan.



Fig. 10

LIGHT CONTROL



: Press the button to turn ON/ OFF the light.

The remote has memory function. If the fan or light is turned off by the isolating switch, it will memorize and recover the last status when turned on next.

The LED Light Kit has a 3-step dimmable function which is controlled by an ON/OFF switch. Toggle the switch ON/OFF to the luminaire 4 times within 5 seconds, the globe will light up in the following order:

100% brightness → 40% brightness → 13% brightness → 100% brightness

To switch back to 100% brightness at any stage, turn OFF the luminaire, and then after 5 seconds turn ON the luminaire, it will reset to 100% brightness.

INSTALLATION OF THE REMOTE CONTROL HOLDER (Fig. 13)

1. Locate a suitable wall or surface to fix the remote control wall holder.
2. Remove the screw cover and install the holder using the 2 screws and re-install the screw cover. (Fig.13a).
3. Slide the remote into the holder. (Fig. 13b).

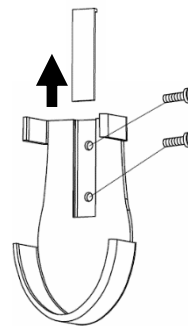


Fig. 13a

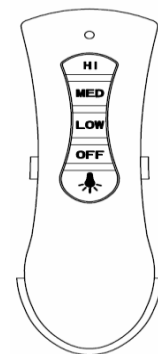


Fig. 13b

REVERSING SWITCH (Fig. 14)

Your ceiling fan can operate in either summer or winter mode.

SUMMER Mode: The reverse switch shall be in the SUMMER position to make the fan rotate in an anticlockwise direction. The airflow will be directed downwards, for cooling in summer.

WINTER Mode: The reverse switch shall be in the WINTER position to make the fan rotate in a clockwise direction. The airflow will be directed upwards assisting in the circulation of warm air, for energy conservation in winter.

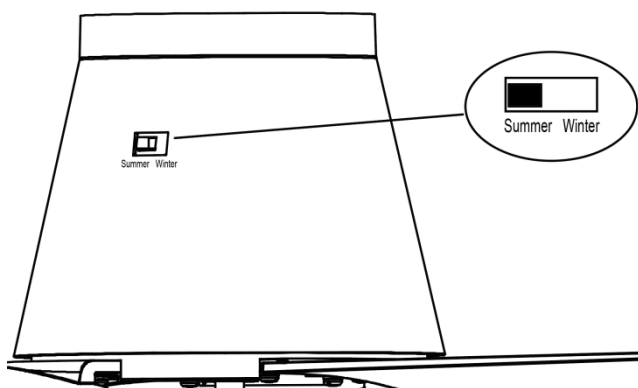
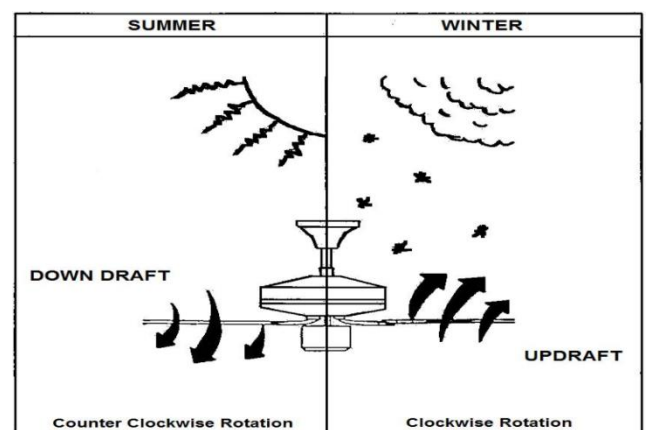


Fig. 14



AFTER INSTALLATION

TO REDUCE THE FAN WOBBLE: Please check that all screws which fix the mounting bracket and blades are secure.

BALANCING KIT: A balancing kit is provided to balance the ceiling fan on initial installation. Please refer to the instruction on how to use the balancing kit. The balancing kit can be used to assist re-balancing should the ceiling fan become un-balanced again. Store your balancing kit away after installation for future use if required.

CARE & CLEANING

NOTE: Always turn OFF the power at the mains switch before performing any maintenance or attempting to clean your fan.

- Every 6 months periodic cleaning of your ceiling fan is the only maintenance required. Use a soft brush or lint free cloth to avoid scratching the paint finish. Please turn off electricity power when you do so.
- Do not soak or immerse your ceiling fan in the water or other liquids. It could damage the motor or the blades and create the possibility of an electrical shock.
- Ensure that the fitting does not come in contact with any organic solvents or cleaners.
- To clean the fan blade, wipe with only a damp clean cloth with NO organic solvents or cleaners.
- The motor has a permanently lubricated ball bearing so there is no need to oil.

SAFETY PRECAUTIONS FOR BATTERY


- **WARNING** – Keep new and used batteries away from children.
- **CAUTION** – Do not ingest battery—Chemical burn hazard.
- Always use 2 x AAA battery type with this ceiling fan remote controller.
- Ensure the batteries are inserted with the correct polarity.
- To prevent false operation during battery insertion or replacement, this ceiling fan must be disconnected from the supply mains.
- non-rechargeable batteries are not to be recharged;
- different types of batteries or new and used batteries are not to be mixed;
- Remove batteries from the product when not in use for long periods of time.
- Batteries must be removed from the remote transmitter before it is discarded.
- Dispose of exhausted batteries immediately and safely (so they cannot be retrieved by children). Batteries can still be dangerous. Contact your local council to safely dispose of the battery.
- Regularly check the product and make sure the battery box lid is correctly secured. If the battery compartment does not close securely, stop using the product and keep it away from children.
- If you think batteries might have been swallowed or placed inside any part of the body, seek immediate medical attention. If you suspect your child has swallowed or inserted a button battery, call the emergency number of your country if you are in Europe for fast, expert advice.
- Battery Leaks: Battery contains chemicals and should be treated as any chemical would. Take precautions when handling leaked battery chemicals. Battery chemicals should not be placed near the eyes or ingested. call the emergency number of your country if you are in Europe for fast, expert advice.



TECHNICAL INFORMATION		
Fan	48" fan – Aria CTC without light	48" fan – Aria CTC with light
SKU#	SKU# 212999, 213000	SKU# 213001, 213002
Rated Voltage	220-240V~ 50Hz	
Rated Wattage (Motor)	50W	
Lighting source	N/A	This product contains a light source of energy efficiency class E
Rated wattage (Light Kit)	N/A	18W, 3000K, Dimmable (3-step dimming)
Weight	5.6 kg	
Canopy Dimensions	H:95mm Dia:130mm	

WARRANTY INFORMATION

IN EUROPE – If you are a European customer please contact the retail outlet where the fan was purchased for warranty service.




This fan is suitable for indoor, alfresco and coastal areas where the fan is fully undercover with a minimum of 1 walls. This fan is not waterproof. When installed in an alfresco or coastal area, the ceiling fan must be positioned in a location protected from water, wind and dust. Exposure to these elements will void the warranty. Mounting the fan in a situation where it is subject to water or moisture is dangerous.

D

DANKE FÜR DEN KAUF


Vielen Dank, dass Sie sich für dieses Qualitätsprodukt von Lucci entschieden haben. Um eine korrekte Funktion und Sicherheit zu gewährleisten, lesen und befolgen Sie bitte alle Anweisungen sorgfältig vor der Montage, Installation und Verwendung dieses Deckenventilators. Bitte bewahren Sie die Anleitung zum späteren Nachschlagen auf.

SICHERHEITSVORKEHRUNGEN

1. Dieses Gerät kann von Kindern ab 8 Jahren und darüber sowie von Personen mit verringerten physischen, sensorischen oder mentalen Fähigkeiten oder Mangel an Erfahrung und Wissen benutzt werden, wenn sie beaufsichtigt oder bezüglich des sicheren Gebrauchs des Geräts unterwiesen wurden und die damit verbundenen Gefahren verstehen. Reinigung und Wartung dürfen nicht von Kindern ohne Aufsicht durchgeführt werden.
2. Kinder sollten beaufsichtigt werden, um sicherzustellen, dass sie nicht mit dem Gerät spielen.
3. In die feste Verdrahtung muss ein allpoliger Trennschalter gemäß den örtlichen Verdrahtungsvorschriften eingebaut werden.
4.  Entsorgen Sie Elektrogeräte nicht als unsortierten Restabfall, sondern nutzen Sie getrennte Sammelstellen. Wenden Sie sich an Ihre Gemeindeverwaltung, um Informationen über die verfügbaren Sammelsysteme zu erhalten. Wenn Elektrogeräte auf Mülldeponien oder Müllkippen entsorgt werden, können gefährliche Stoffe ins Grundwasser und in die Nahrungskette gelangen und Ihre Gesundheit und Ihr Wohlbefinden beeinträchtigen.
5. Die Struktur, an die der Ventilator montiert werden soll, muss ein Gewicht von 23 kg tragen können.
6. Der Ventilator sollte so montiert werden, dass sich die Flügel in Europa mehr als 2,3 m über dem Boden befinden.
7. Dieser Ventilator ist für Innen-, Außen- und Küstenbereiche geeignet, in denen der Ventilator vollständig mit mindestens 1 Wand abgedeckt ist. Dieser Ventilator ist nicht wasserdicht. Bei der Installation in einem Außenbereich oder an der Küste muss der Deckenventilator an einem vor Wasser, Wind und Staub geschützten Ort aufgestellt werden. Wenn er diesen Elementen ausgesetzt wird, erlischt die Garantie. Die Montage des Ventilators an einem Ort, an dem er Wasser oder Feuchtigkeit ausgesetzt ist, ist gefährlich und kann das Risiko von Schäden, Verletzungen oder Stromschlägen erhöhen und führt zum Erlöschen der Garantie.
8. Muss von einem lizenzierten Elektriker montiert und installiert werden.
9. **WARNUNG:** Sollten Sie ungewöhnliche Wackel- oder Schwingbewegungen feststellen, stellen Sie den Betrieb des Deckenventilators sofort ein und wenden Sie sich an den Hersteller, seinen Kundendienst oder an entsprechend qualifizierte Personen.



10. Der Austausch von Teilen der Sicherheitsaufhängung ist vom Hersteller, seinem Kundendienst oder entsprechend qualifizierten Personen vorzunehmen.
11. Die Befestigungsmittel für die Anbringung an der Decke, wie z. B. Haken oder andere Vorrichtungen, müssen so stark sein, dass sie das Vierfache des Gewichts des Deckenventilators aushalten.

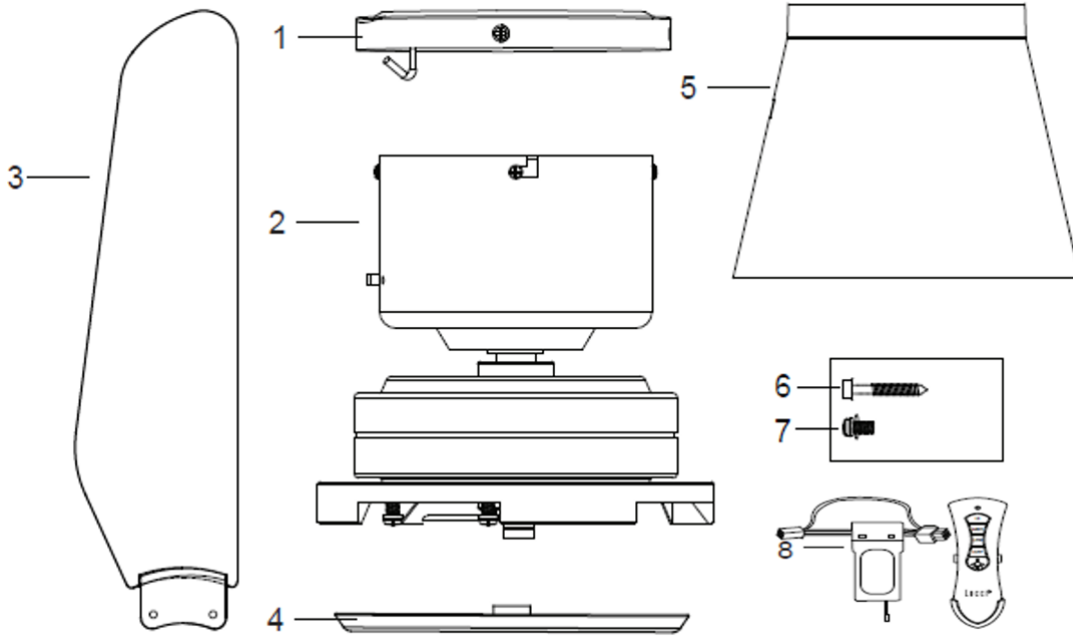
12.  Vorsicht, Gefahr eines elektrischen Schlages.

TEILELISTE

- Packen Sie Ihren Deckenventilator vorsichtig aus. Entfernen Sie alle Teile und Beschläge.
- Legen Sie alle Teile auf einer glatten Oberfläche aus und vergewissern Sie sich vor dem Zusammenbau, dass keine Teile fehlen. Wenn Teile fehlen, senden Sie das komplette Produkt zur Überprüfung oder zum Austausch an die Verkaufsstelle zurück.
- Überprüfen Sie, ob der Deckenventilator während des Transports beschädigt worden ist. Nehmen Sie kein Produkt in Betrieb, das in irgendeiner Weise beschädigt erscheint. Schicken Sie das komplette Produkt zur Überprüfung, Reparatur oder zum Austausch an die Verkaufsstelle zurück.
- Prüfen Sie alle Teile, Sie sollten die folgende Liste und Abb.1 haben:

Ventilator mit Fernbedienung (kein Beleuchtungsset) (SKU# 212999 & 213000)		Ventilator mit Fernbedienung (mit Beleuchtungsset) (SKU# 213001 & 213002)	
1	Deckenhalterung x 1	1	Deckenhalterung x 1
2	Motorbaugruppe x 1	2	Motorbaugruppe x 1
3	Flügel x 4	3	Flügel x 4
4	Untere Motorabdeckung x 1	4	LED-Beleuchtungssatz x 1
5	Motorgehäuseabdeckung x 1	5	Motorgehäuseabdeckung x 1
6	Befestigungsschrauben x 4	6	Befestigungsschrauben x 4
7	Ersatzschraube für Ventilator Flügel x 1	7	Ersatzschraube für Ventilator Flügel x 1
8	Fernbedienungsempfänger und Fernbedienung x 1 Set	8	Fernbedienungsempfänger und Fernbedienung x 1 Set

Ventilator mit Fernbedienung (kein Beleuchtungssatz) SKU# 212999 & 213000



Ventilator mit Fernbedienung (mit Beleuchtungssatz) SKU# 213001 & 213002

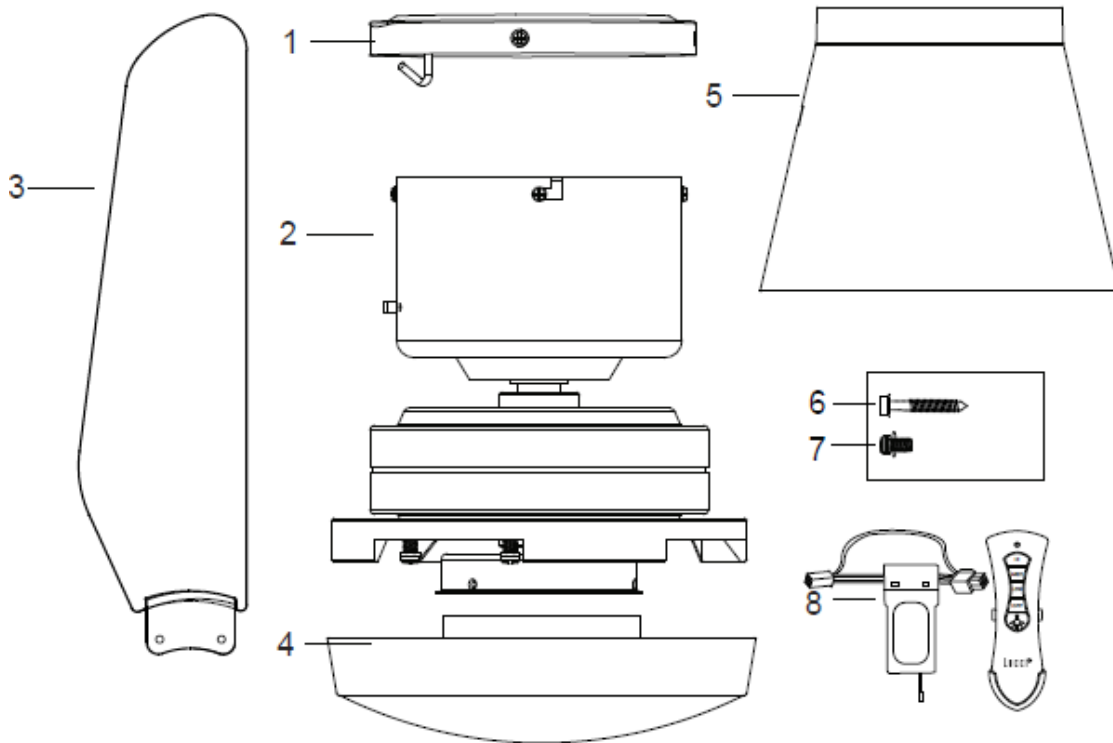
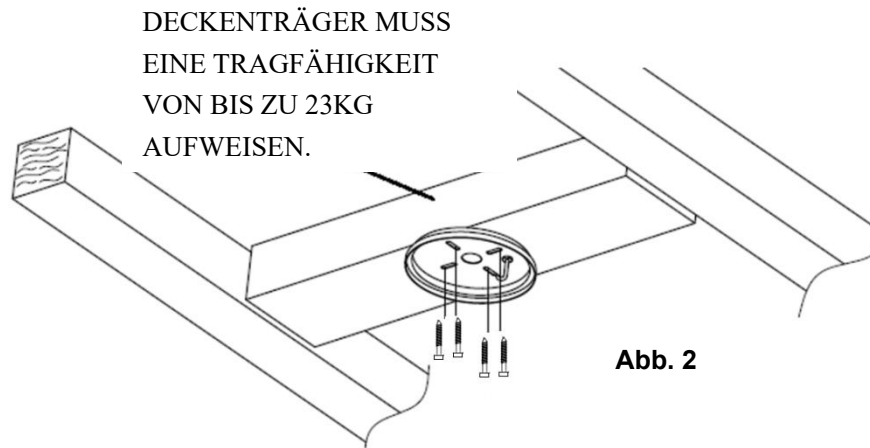


Abb. 1



MONTAGE DES BEFESTIGUNGSBÜGELS

- Der Deckenventilator muss so installiert werden, dass die Flügel einen Abstand von 300 mm zwischen der Flügelspitze und den nächstgelegenen Gegenständen oder Wänden haben.
- Befestigen Sie die Deckenhalterung mit den 4 mitgelieferten langen Schrauben an einem Deckenbalken oder einer Struktur, die eine Last von mindestens 23 kg tragen kann. Vergewissern Sie sich, dass mindestens 30 mm der Schraube in den Träger eingeschraubt sind. (Abb. 2)



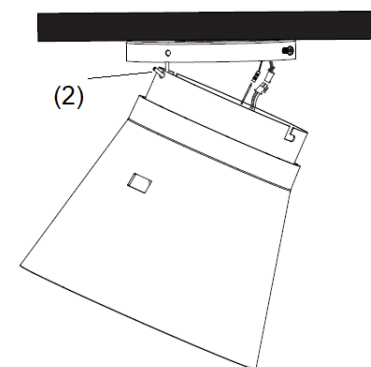
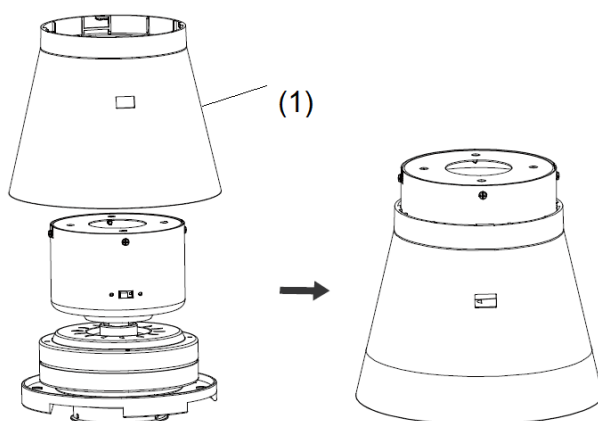
HINWEIS: Die mitgelieferten Befestigungsschrauben sind nur für Holzkonstruktionen geeignet. Für andere Strukturen als Holz MUSS der entsprechende Schraubentyp verwendet werden. Stellen Sie sicher, dass die verwendeten Schrauben für die Montagefläche und die Umgebung geeignet sind.

SCHRÄGE DECKENMONTAGE

Dieses Aufhängesystem für Ventilatoren unterstützt **NICHT** die Installation an einer um einen Grad geneigten Decke.

AUFHÄNGUNG DER VENTILATOR-MOTOR-BAUGRUPPE

- Montieren Sie das Motorgehäuse (1) auf die Motoreinheit. (Abb.3)
- Heben Sie die den Motor bis zur Deckenhalterung an. Hängen Sie den Motor in den J-Haken (2) der Deckenhalterung ein. (Abb.4)
- Vervollständigen Sie die elektrische Verkabelung gemäß dem Abschnitt "ELEKTRISCHER VERKABELUNGSPLAN" unten.



ELEKTRISCHE VERKABELUNG DES VENTILATORS

WARNUNG: ZU IHRER SICHERHEIT SOLLTEN ALLE ELEKTRISCHEN ANSCHLÜSSE VON EINEM LIZENZIERTEN ELEKTROTECHNIKER VORGENOMMEN WERDEN.

HINWEIS: EIN ZUSÄTZLICHER ALLPOLIGER TRENNNSCHALTER MUSS IN DIE FESTE VERKABELUNG EINBEZOGEN WERDEN.

MODELLE MIT FERNBEDIENUNG SCHALTPLAN (Abb.5):

- Schließen Sie die Kabel L, N und Erde an die Lüsterklemme der Deckenhalterung an, wie in Abb. 5 dargestellt.
- Stecken Sie die Schnellkupplungen von der Halterung (1) und vom Fernbedienungsempfänger (2) zusammen und vergewissern Sie sich, dass sie einrasten.
- Stecken Sie die Schnellverbinder vom Fernbedienungsempfänger (3) und vom Ventilator (4) zusammen und vergewissern Sie sich, dass sie einrasten.
- Legen Sie den Fernbedienungsempfänger zusammen mit der übrigen internen Verkabelung in die Aussparung der Motorhaube.

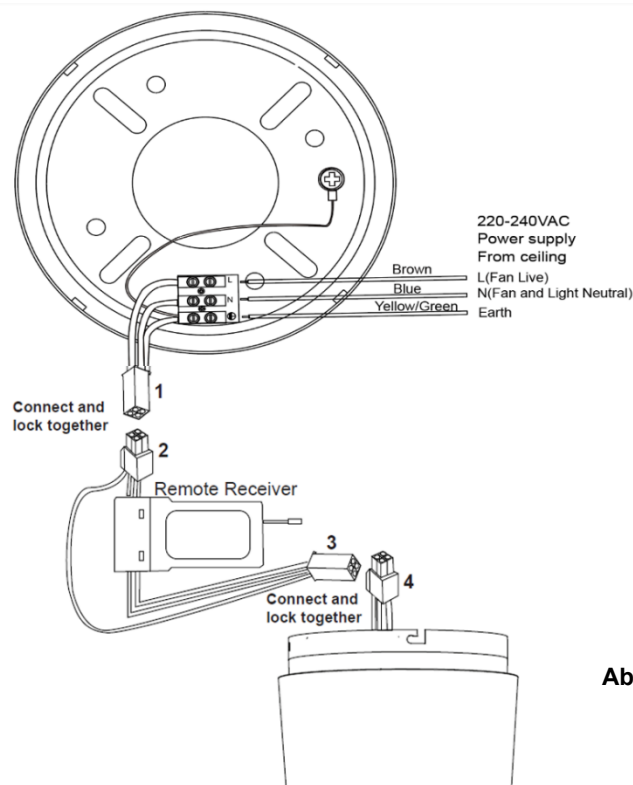



Abb. 5

220-240VAC Power supply from ceiling	220-240VAC Stromzufuhr von der Decke
L (Fan Live)	L (Phase Ventilator)
N (Fan and Light Neutral)	N (Nullleiter Ventilator und Leuchte)
Earth	Erde
Brown	Braun
Blue	Blau
Yellow/Green	Gelb/Grün
Connect and lock together	Verbinden und zusammenschließen
Remote Receiver	Fernbedienungsempfänger



This fan is suitable for indoor, alfresco and coastal areas where the fan is fully undercover with a minimum of 1 walls. This fan is not waterproof. When installed in an alfresco or coastal area, the ceiling fan must be positioned in a location protected from water, wind and dust. Exposure to these elements will void the warranty. Mounting the fan in a situation where it is subject to water or moisture is dangerous.

DEN VENTILATORMOTOR AN DER HALTERUNG MONTIEREN

Montieren Sie den Ventilatormotor an der Halterung (Abb. 6).

- An der Halterung sind 4 Schrauben vorinstalliert:
 - Zwei Schrauben mit Sternscheibe (2) um ein halbes Gewinde aus der Halterung lösen. (Für L-förmigen Schlitz an der zu montierenden Kabinenhaube).
 - Lösen Sie die beiden Schrauben der Haube (1) und nehmen Sie sie aus der Halterung.
- Heben Sie die Aufhängung des Ventilatormotors bis zur Deckenhalterung an und lassen Sie den L-förmigen Schlitz an der Aufhängung durch die beiden Schrauben mit Sternscheibe (2) laufen.
- Drehen Sie die Aufhängung, bis sie am Endabschnitt des L-förmigen Schlitzes einrastet. Achten Sie darauf, dass die Sternscheiben zwischen der Aufhängung (3) und dem Schraubenkopf liegen. Sichern Sie es, indem Sie die beiden Schrauben mit Sternscheibe (2) festziehen.
- Befestigen Sie die Schrauben (1) an der Halterung und ziehen Sie sie fest. Die Aufhängung (3) wird mit insgesamt 4 Schrauben (1) & (2) befestigt. Achten Sie darauf, dass die zuvor vorbereitete elektrische Verkabelung beim Aufhängen der Haube nicht beschädigt wird.
- Zum Schluss befestigen Sie die Motorgehäuseabdeckung (4) an der Halterung, indem Sie die Motorgehäuseabdeckung an den vorgesehenen Löchern über die Schrauben der Halterung schieben und gegen den Uhrzeigersinn drehen.

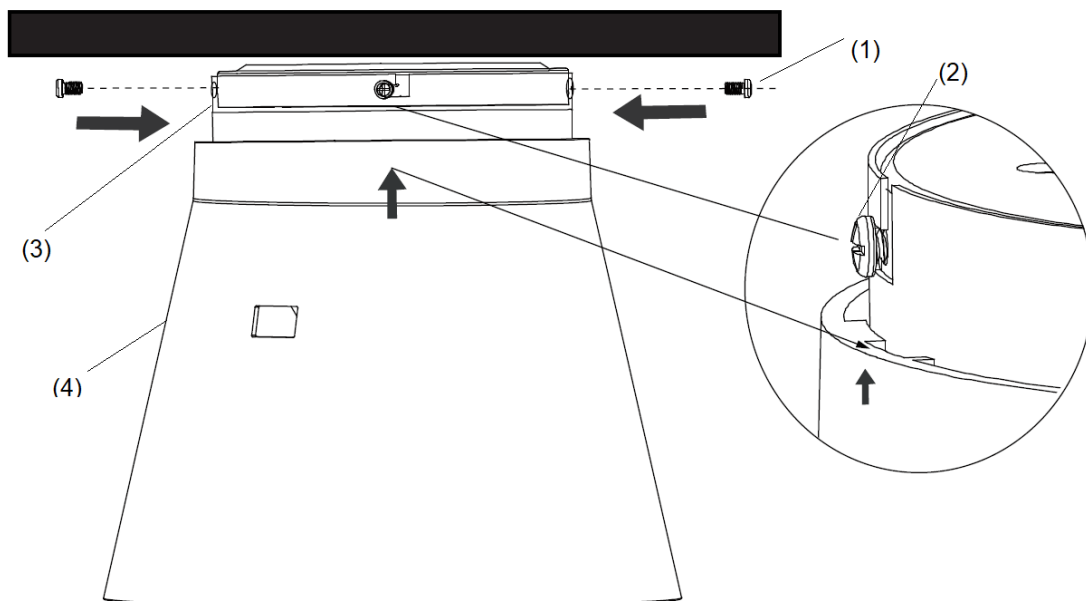


Abb. 6



EINBAU DER LÜFTERVENTILATORFLÜGEL UND DES BELEUCHTUNGSSATZES**BEFESTIGUNG (Abb.7)**

1. Entfernen Sie vor dem Einbau der Flügel die Flügelschrauben und Unterlegscheiben von der Unterseite des Ventilatormotors.
2. Richten Sie die 2 Löcher auf dem Flügel mit den 2 Löchern auf dem rotierenden Teil der Ventilatormotor aus und verwenden Sie die 2 Flügelschrauben aus Schritt 1, um den Flügel an der Ventilatormotor zu befestigen.
Achten Sie darauf, dass alle Schrauben gleichmäßig angezogen werden, um die Gefahr des Verziehens oder der Unwucht zu verringern. Achten Sie darauf, dass Sie die Schrauben nicht zu fest anziehen, da dies die Klingen beschädigen kann.
3. Wiederholen Sie den Vorgang für die übrigen Flügel.

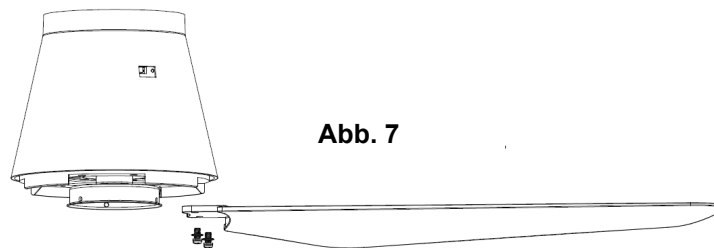


Abb. 7

ANBRINGEN DER UNTEREN ABDECKUNG (FÜR VENTILATOR OHNE LICHT Abb.8)

Befestigen Sie die untere Motorabdeckung am Ventilator, indem Sie sie im Uhrzeigersinn drehen.

FÜR ARTIKELNUMMERN
212999 UND 213000

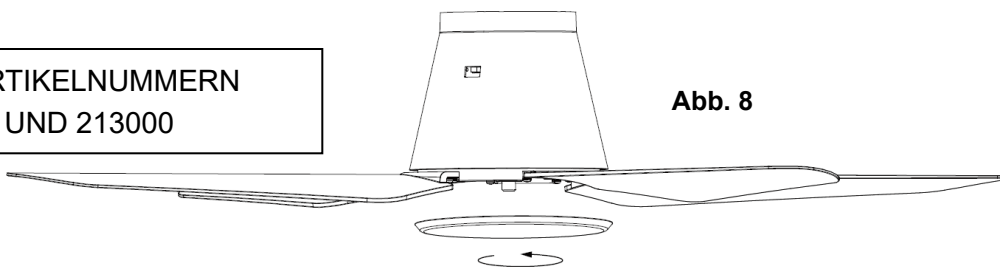


Abb. 8

INSTALLATION DES LED-BELEUCHTUNGSSATZES (FÜR VENTILATOR MIT LICHT Abb.9)

- Befestigen Sie das LED-Licht-Kit am Lampensockel und schließen Sie die Drähte über die Schnellverbinder an das LED-Licht-Kit an.
- Befestigen Sie den LED-Leuchtsatz am Lampensockel, indem Sie das Gehäuse des LED-Leuchtsatzes im Uhrzeigersinn drehen. Achten Sie darauf, die Drähte nicht über Kreuz einzufädeln oder zu verdrehen und zu beschädigen.

FÜR DIE ARTIKELNUMMERN
213001 UND 213002

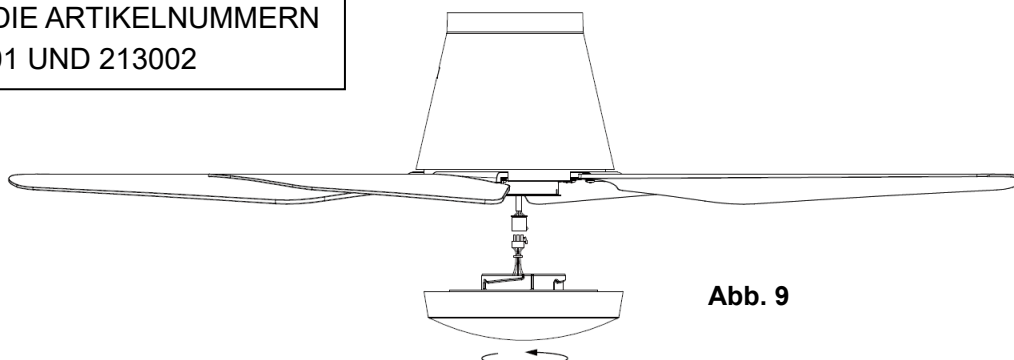


Abb. 9



BENUTZUNG IHRES DECKENVENTILATORS - FERNBEDIENUNG

Ihr Deckenventilator wird über die Fernbedienung gesteuert. Es gibt 4 Tasten (HI, MED, LOW, OFF), um die Ventilatorgeschwindigkeit zu regeln, und eine Taste, um das Licht ein-/auszuschalten. **Abb. 10**
 Bevor Sie die Fernbedienung in Betrieb nehmen, müssen Sie Folgendes beachten.

- Für den Betrieb der Fernbedienung werden 2 x AAA-Batterien (1,5 V) benötigt. Entfernen Sie die Batterieabdeckung auf der Rückseite der Fernbedienung und legen Sie 2 x AAA-Batterien ein. Vergewissern Sie sich, dass die Polarität wie im Batteriefach gezeigt korrekt ist. **(Abb.11)** (Batterien nicht im Lieferumfang enthalten.)
- Die Fernbedienung (Sender) und der Empfänger müssen so konfiguriert werden, dass die Kommunikation zwischen beiden Geräten gekoppelt ist. Dies wird erreicht, indem der DIP-Schalter am Empfänger und an der Fernbedienung auf die gleiche Einstellung gestellt wird. **(Abb. 12)**
 Hinweis: Die DIP-Schalterbaugruppe hat 4 Schalter, die auf 16 verschiedene Sendecodekombinationen eingestellt werden können. Dies ist praktisch, wenn mehr als 1 Fernbedienungs-/Empfängerpaar lokal oder im selben Raum betrieben wird.

Hinweis: Um auf die DIP-Schalter des Empfängers zugreifen zu können, müssen Sie die DIP-Schalterabdeckung entfernen.



Abb. 11 Batteriefach der Fernbedienung

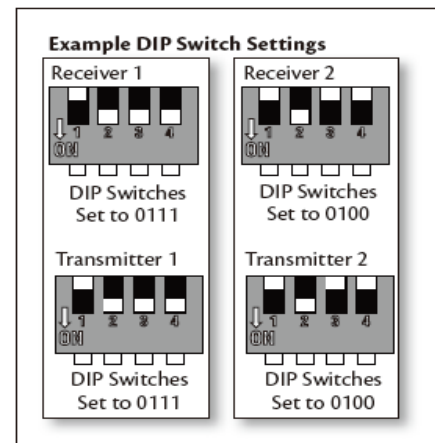


Abb. 12 DIP-Schalter des Empfängers

Example DIP Switch Settings	Beispieleinstellungen für die DIP-Schalter
Receiver 1	Empfänger 1
DIP Switches Set to 0111	DIP-Schalter auf 0111 eingestellt
Receiver 2	Empfänger 2
DIP Switches Set to 0100	DIP-Schalter auf 0100 eingestellt
Transmitter 1	Sender 1
DIP Switches Set to 0111	DIP-Schalter auf 0111 eingestellt
Transmitter 2	Sender 2
DIP Switches Set to 0100	DIP-Schalter auf 0100 eingestellt

BEDIENUNG DER FERNBEDIENUNG:

Bevor Sie die Fernbedienung benutzen, nehmen Sie sich die Zeit, diesen Abschnitt zu lesen und sich mit den Tasten und ihrer Funktion vertraut zu machen.

LED-Anzeige

Die rote LED-Anzeige auf der Oberseite des Senders blinkt, wenn die Tasten aktiv sind.

TASTEN AUF DER FERNBEDIENUNG

HI: Drücken Sie die Taste, um den Ventilator auf hohe Geschwindigkeit zu stellen.

MED: Drücken Sie die Taste, um den Ventilator auf mittlere Geschwindigkeit einzustellen.

LOW: Drücken Sie die Taste, um den Ventilator auf niedrige Geschwindigkeit zu stellen.


OFF: Drücken Sie die Taste, um den Ventilator auszuschalten.



Abb. 10

LED indicator	LED-Anzeige
Turn on the fan at high speed	Ventilator mit hoher Geschwindigkeit starten
Turn on the fan at medium speed	Ventilator mit mittlerer Geschwindigkeit starten
Turn on the fan at low speed	Ventilator mit niedriger Geschwindigkeit starten
Turn off the fan	Ventilator ausschalten
Turn on / off the light	Beleuchtung ein-/ausschalten

LICHTKONTROLLE

: Drücken Sie die Taste, um das Licht ein-/auszuschalten.

Die Fernbedienung verfügt über eine Speicherfunktion. Wenn der Ventilator oder das Licht durch den Trennschalter/Wandschalter ausgeschaltet wird, speichert sie den letzten Status und stellt ihn beim nächsten Einschalten wieder her.

Das LED Light Kit verfügt über eine 3-stufige dimmbare Funktion, die über einen ON/OFF-Schalter gesteuert wird. Schalten Sie die Leuchte 4 Mal innerhalb von 5 Sekunden ein und die Kugel wird in der folgenden Reihenfolge aufleuchten:

100% Helligkeit → 40% Helligkeit → 13% Helligkeit → 100% Helligkeit

Um jederzeit wieder auf 100 % Helligkeit zu schalten, schalten Sie die Leuchte aus und nach 5 Sekunden wieder ein, dann wird die Leuchte auf 100 % Helligkeit zurückgesetzt.

INSTALLATION DES FERNBEDIENUNGSHALTERS (Abb. 14)

1. Suchen Sie eine geeignete Wand oder Fläche, um die Wandhalterung für die Fernbedienung zu befestigen.
2. Entfernen Sie die Schraubenabdeckung, installieren Sie den Halter mit den 2 Schrauben und bringen Sie die Schraubenabdeckung wieder an. (Abb.13a).

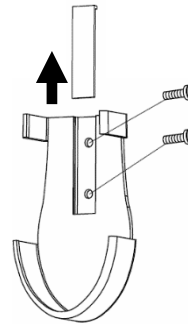


Abb. 13a

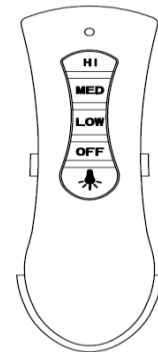


Abb. 13b

UMKEHRSCHALTER (Abb. 14)

Ihr Deckenventilator kann entweder im Sommer- oder im Winterbetrieb arbeiten.

SOMMER-Modus: Der Umkehrschalter muss sich in der Position SOMMER befinden, damit sich der Ventilator gegen den Uhrzeigersinn dreht. Der Luftstrom wird zur Kühlung im Sommer nach unten gerichtet.

WINTER-Modus: Der Umkehrschalter muss sich in der Position WINTER befinden, damit sich der Ventilator im Uhrzeigersinn dreht. Der Luftstrom wird nach oben gerichtet und unterstützt die Zirkulation der warmen Luft, um im Winter Energie zu sparen.

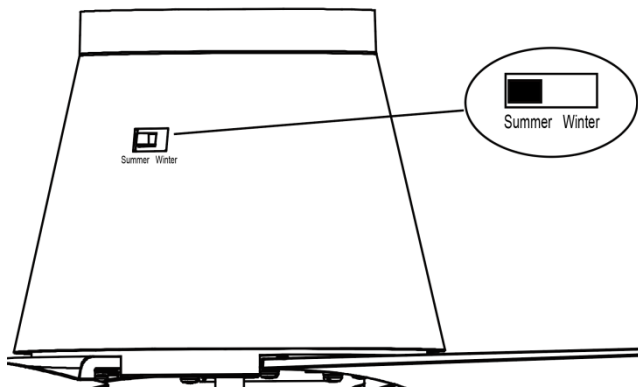
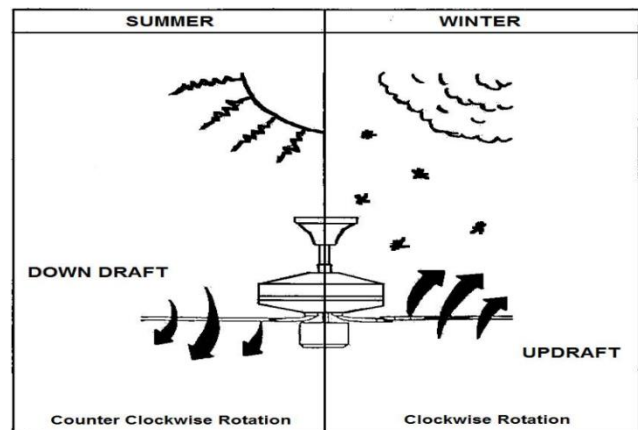


Abb. 14



SUMMER	SUMMER
WINTER	WINTER
DOWN DRAFT	ABWIND
UPDRAFT	AUFWIND
Counter Clockwise Rotation	Drehrichtung gegen den Uhrzeigersinn
Clockwise Rotation	Drehrichtung im Uhrzeigersinn

This fan is suitable for indoor, alfresco and coastal areas where the fan is fully undercover with a minimum of 1 walls. This fan is not waterproof. When installed in an alfresco or coastal area, the ceiling fan must be positioned in a location protected from water, wind and dust. Exposure to these elements will void the warranty. Mounting the fan in a situation where it is subject to water or moisture is dangerous.

NACH DER INSTALLATION

UM DAS TAUMELN DES VENTILATORS ZU VERRINGERN: Prüfen Sie, ob alle Schrauben, mit denen die Halterung und die Flügel befestigt sind, fest sitzen.

AUSGLEICHSKIT: Für den Ausgleich des Deckenventilators bei der Erstinstallation wird ein Ausgleichs-Kit mitgeliefert. Bitte lesen Sie in der Anleitung nach, wie Sie den Ausgleichs-Kit verwenden. Der Ausgleichs-Kit kann verwendet werden, um den Deckenventilator wieder auszubalancieren, sollte er erneut aus dem Gleichgewicht geraten. Bewahren Sie den Ausgleichs-Kit nach der Installation auf, damit Sie ihn bei Bedarf wieder verwenden können.

PFLEGE & REINIGUNG

HINWEIS: Schalten Sie das Gerät immer am Trenn-/Wandschalter aus, bevor Sie Wartungsarbeiten durchführen oder versuchen, den Ventilator zu reinigen.

- Eine regelmäßige Reinigung Ihres Deckenventilators alle 6 Monate ist die einzige erforderliche Wartung. Verwenden Sie eine weiche Bürste oder ein fusselfreies Tuch, um Kratzer in der Lackierung zu vermeiden. Bitte schalten Sie dabei den Strom ab.
- Tauchen Sie Ihren Deckenventilator nicht in Wasser oder andere Flüssigkeiten ein. Dies könnte den Motor oder die Flügel beschädigen und die Gefahr eines elektrischen Schlags heraufbeschwören.
- Achten Sie darauf, dass die Armatur nicht mit organischen Lösungsmitteln oder Reinigern in Berührung kommt.
- Wischen Sie die Ventilator-Flügel nur mit einem feuchten, sauberen Tuch ab, das keine organischen Lösungs- oder Reinigungsmittel enthält.
- Der Motor ist mit einem dauergeschmierten Kugellager ausgestattet, so dass kein Öl benötigt wird.

SICHERHEITSVORKEHRUNGEN FÜR DIE BATTERIE

- **WARNUNG** - Halten Sie neue und gebrauchte Batterien von Kindern fern.
- **VORSICHT** - Batterie nicht verschlucken - Verbrennungsgefahr durch Chemikalien.
- Verwenden Sie für diese Deckenventilator-Fernbedienung immer 2 x AAA-Batterien.
- Achten Sie darauf, dass die Batterien mit der richtigen Polarität eingelegt werden.
- Um einen Fehlbetrieb während des Einsetzens oder Auswechselns der Batterien zu vermeiden, muss der Deckenventilator vom Stromnetz getrennt werden.
- Nicht wiederaufladbare Batterien dürfen nicht wieder aufgeladen werden;
- verschiedene Batterietypen oder neue und gebrauchte Batterien dürfen nicht gemischt werden;
- Nehmen Sie die Batterien aus dem Gerät, wenn Sie es längere Zeit nicht benutzen.
- Die Batterien müssen aus dem Handsender entfernt werden, bevor er entsorgt wird.
- Entsorgen Sie verbrauchte Batterien sofort und sicher (so dass sie nicht von Kindern herausgeholt werden können). Batterien können immer noch gefährlich sein. Wenden Sie sich an Ihre Gemeindeverwaltung, um die Batterie sicher zu entsorgen.
- Überprüfen Sie das Produkt regelmäßig und stellen Sie sicher, dass der Deckel des Batteriefachs richtig verschlossen ist. Wenn das Batteriefach nicht sicher verschlossen ist, verwenden Sie das Produkt nicht mehr und halten Sie es von Kindern fern.




- Wenn Sie glauben, dass Batterien verschluckt oder in einen Körperteil eingeführt worden sein könnten, suchen Sie sofort einen Arzt auf. Wenn Sie den Verdacht haben, dass Ihr Kind eine Knopf-Batterie verschluckt oder eingelegt hat, rufen Sie die Notrufnummer Ihres Landes an, wenn Sie sich in Europa befinden, um schnellen, fachkundigen Rat zu erhalten.
- Die Batterie ist undicht: Die Batterie enthält Chemikalien und sollte wie jede andere Chemikalie behandelt werden. Treffen Sie Vorsichtsmaßnahmen beim Umgang mit ausgelaufenen Batteriechemikalien. Batteriechemikalien sollten nicht in die Nähe der Augen gebracht oder verschluckt werden. Rufen Sie die Notrufnummer Ihres Landes an, wenn Sie sich in Europa befinden, um schnellen, fachkundigen Rat zu erhalten.

TECHNISCHE INFORMATIONEN		
Deckenventilator	48" Ventilator - Aria CTC ohne Licht	48" Ventilator - Aria CTC mit Licht
SKU#	SKU# 212999, 213000	SKU# 213001, 213002
Nennspannung	220-240V~ 50Hz	
Nennleistung (Motor)	50W	
Lichtquelle	K.A.	Dieses Produkt enthält eine Lichtquelle der Energieeffizienzklasse E
Nennleistung (Leuchte)	K.A.	18W, 3000K, dimmbar (3-stufig dimmbar)
Gewicht	5,6 kg	
Maße des Baldachins	H:95mm Durchm.:130mm	

GARANTIEINFORMATIONEN

IN EUROPA - Wenn Sie ein europäischer Kunde sind, wenden Sie sich bitte an die Verkaufsstelle, bei der Sie den Ventilator gekauft haben, um die Garantie in Anspruch zu nehmen.




This fan is suitable for indoor, alfresco and coastal areas where the fan is fully undercover with a minimum of 1 walls. This fan is not waterproof. When installed in an alfresco or coastal area, the ceiling fan must be positioned in a location protected from water, wind and dust. Exposure to these elements will void the warranty. Mounting the fan in a situation where it is subject to water or moisture is dangerous.

F**MERCI D'AVOIR ACHETÉ**


Nous vous remercions d'avoir acheté ce produit Lucci de qualité. Pour garantir le bon fonctionnement et la sécurité, veuillez lire et suivre attentivement toutes les instructions avant l'assemblage, l'installation et l'utilisation de ce ventilateur de plafond. Veuillez conserver les instructions pour référence ultérieure.

PRÉCAUTIONS DE SÉCURITÉ

1. Cet appareil peut être utilisé par des enfants à partir de 8 ans et par des personnes dont les capacités physiques, sensorielles ou mentales sont réduites ou qui manquent d'expérience et de connaissances, à condition qu'elles aient reçu une surveillance ou des instructions concernant l'utilisation de l'appareil en toute sécurité et qu'elles comprennent les risques encourus. Le nettoyage et l'entretien ne doivent pas être effectués par des enfants sans surveillance.
2. Les enfants doivent être surveillés afin de s'assurer qu'ils ne jouent pas avec l'appareil.
3. Un interrupteur de déconnexion omnipolaire doit être incorporé au câblage fixe, conformément aux règles locales de câblage.
4.  Ne pas jeter les appareils électriques avec les déchets municipaux non triés, mais utiliser des installations de collecte séparée. Contactez votre administration locale pour obtenir des informations sur les systèmes de collecte disponibles. Si les appareils électriques sont jetés dans des décharges ou des dépotoirs, des substances dangereuses peuvent s'infiltrer dans la nappe phréatique et dans la chaîne alimentaire, nuisant ainsi à votre santé et à votre bien-être.
5. La structure sur laquelle le ventilateur doit être monté doit pouvoir supporter un poids de 23 kg.
6. Le ventilateur doit être monté de manière à ce que les pales se trouvent à plus de 2,3 m du sol en Europe.
7. Ce ventilateur convient pour l'intérieur, l'extérieur et les zones côtières où le ventilateur est entièrement couvert avec un minimum d'un mur. Ce ventilateur n'est pas étanche. Lorsqu'il est installé à l'extérieur ou dans une zone côtière, le ventilateur de plafond doit être placé dans un endroit protégé de l'eau, du vent et de la poussière. L'exposition à ces éléments annule la garantie. L'installation du ventilateur dans un endroit où il est exposé à l'eau ou à l'humidité est dangereuse et peut augmenter le risque de dommages, de blessures ou de chocs électriques et annulera la garantie.
8. L'installation électrique doit être effectuée par un électricien qualifié et agréé.
9. **AVERTISSEMENT** : Si vous observez des oscillations inhabituelles, cessez immédiatement d'utiliser le ventilateur de plafond et contactez le fabricant, son agent de service ou des personnes dûment qualifiées.
10. Le remplacement des pièces du système de suspension de sécurité doit être effectué par le fabricant, son agent de service ou des personnes dûment qualifiées.



11. Les moyens de fixation au plafond, tels que les crochets ou autres dispositifs, doivent être fixés avec une résistance suffisante pour supporter quatre fois le poids du ventilateur de plafond ; le montage du système de suspension doit être effectué par le fabricant, son agent de service ou des personnes dûment qualifiées.

12.  attention, risque de choc électrique.

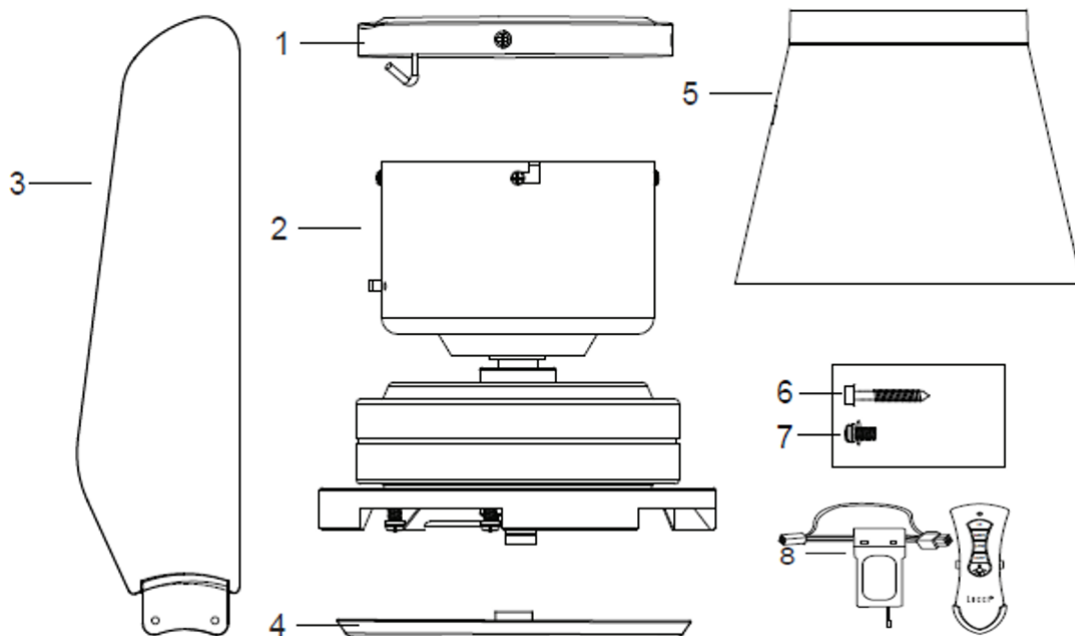
LISTE DES PIÈCES

- Déballez soigneusement votre ventilateur de plafond. Retirez toutes les pièces et la quincaillerie.
- Disposez tous les composants sur une surface lisse et assurez-vous qu'il n'en manque aucun avant de procéder à l'assemblage. S'il manque des pièces, renvoyez le produit complet au lieu d'achat pour qu'il soit inspecté ou remplacé.
- Vérifiez que le ventilateur de plafond n'a pas été endommagé pendant le transport. Ne pas utiliser/installer un produit qui semble endommagé de quelque manière que ce soit. Renvoyez le produit complet au lieu d'achat pour qu'il soit inspecté, réparé ou remplacé.
- Examinez toutes les pièces, vous devriez avoir la liste suivante et la figure 1 :

Ventilateur avec télécommande (sans kit d'éclairage) (SKU# 212999 & 213000)		Ventilateur avec télécommande (avec kit d'éclairage) (SKU# 213001 & 213002)	
1	Support de montage x 1	1	Support de montage x 1
2	Assemblage du moteur x 1	2	Assemblage du moteur x 1
3	Lames x 4	3	Lames x 4
4	Couvercle inférieur du moteur x 1	4	Kit d'éclairage LED x 1
5	Couvercle du boîtier du moteur x 1	5	Couvercle du boîtier du moteur x 1
6	Vis de montage x 4	6	Vis de montage x 4
7	Vis de rechange pour la pale du ventilateur x 1	7	Vis de rechange pour la pale du ventilateur x 1
8	Récepteur et télécommande x 1 jeu	8	Récepteur et télécommande x 1 jeu



Ventilateur avec télécommande (sans kit d'éclairage) SKU# 212999 & 213000



Ventilateur avec télécommande (avec kit d'éclairage) SKU# 213001 & 213002

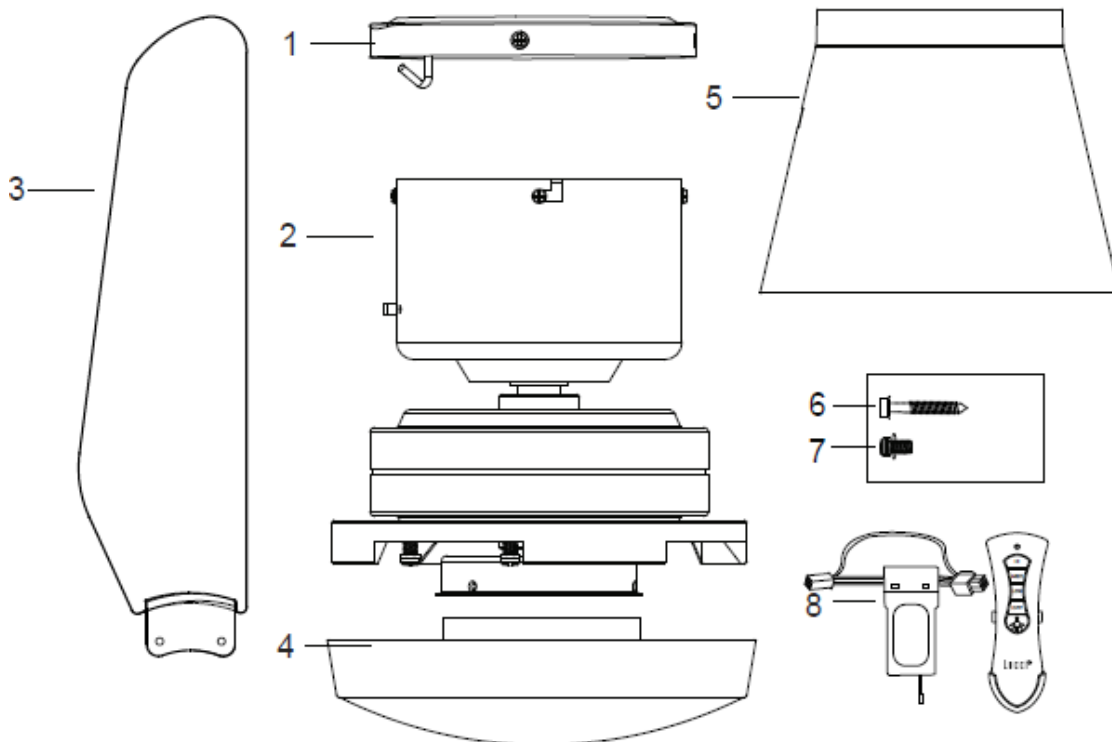


Fig. 1

INSTALLATION DU SUPPORT DE MONTAGE

- Le ventilateur de plafond doit être installé dans un endroit où les pales sont espacées de 300 mm entre leur extrémité et les objets ou les murs les plus proches.
- Installez le support de suspension sur la solive du plafond ou sur une structure capable de supporter une charge d'au moins 23 kg, à l'aide des 4 longues vis fournies. Veillez à ce qu'au moins 30 mm de la vis soient vissés dans le support. (Fig. 2)

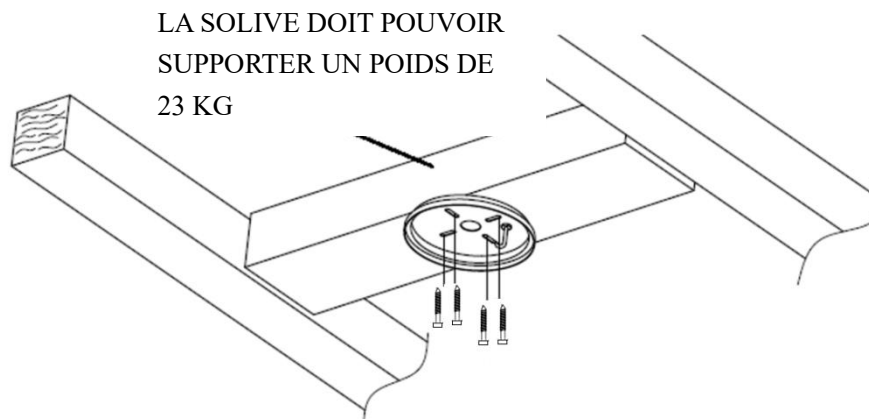


Fig. 2

REMARQUE : Les vis de fixation fournies sont destinées aux structures en bois uniquement. Pour les structures autres qu'en bois, le type de vis approprié DOIT être utilisé. Assurez-vous que les vis utilisées sont adaptées à la surface de montage et à l'environnement.

INSTALLATION D'UN PLAFOND EN ANGLE

Ce système de suspension de ventilateur **n'est pas** compatible avec une installation en angle au plafond.

SUSPENDRE L'ENSEMBLE VENTILATEUR-MOTEUR

- Installer le carter du moteur (1) sur l'ensemble du moteur. (Fig.3)
- Soulever le ventilateur jusqu'au support de montage. Accrocher le ventilateur au crochet en J (2) du support de montage. (Fig.4)
- Complétez le câblage électrique conformément à la section "SCHÉMA DE CÂBLAGE ÉLECTRIQUE" ci-dessous.

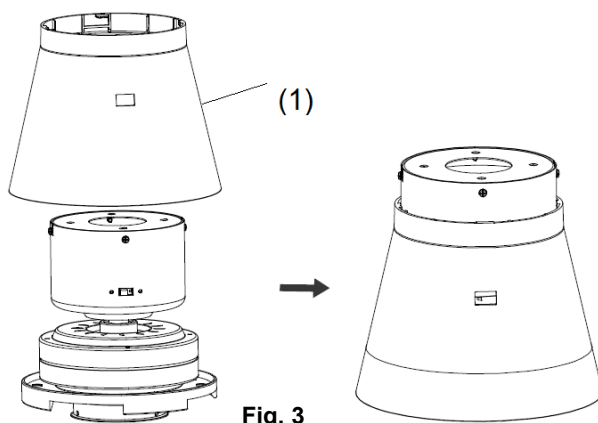


Fig. 3

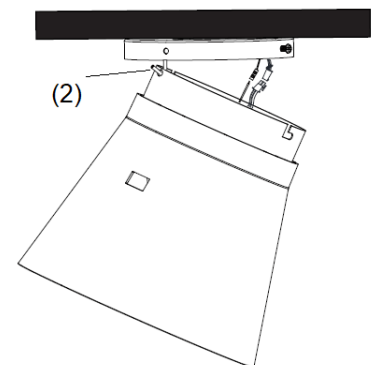


Fig. 4



CÂBLAGE ÉLECTRIQUE DU VENTILATEUR

REMARQUE : Le schéma de câblage comprend le câblage du kit d'éclairage. Le schéma de câblage de l'éclairage et l'interrupteur sont omis lorsqu'aucun kit d'éclairage n'est utilisé avec le ventilateur de plafond.

MODÈLES AVEC TÉLÉCOMMANDE SCHÉMA DE CÂBLAGE (Fig.5) :

- Raccordez les fils L, N et la terre au bornier du support de montage, comme indiqué dans le diagramme de la Fig. 5.
- Branchez les connecteurs rapides du support de montage (1) et du récepteur à distance (2) et assurez-vous qu'ils se verrouillent.
- Branchez les connecteurs rapides du récepteur à distance (3) et du ventilateur (4) et assurez-vous qu'ils se verrouillent.
- Placez le récepteur de télécommande dans la cavité de l'auvent de suspension de l'ensemble moteur avec le reste du câblage interne.

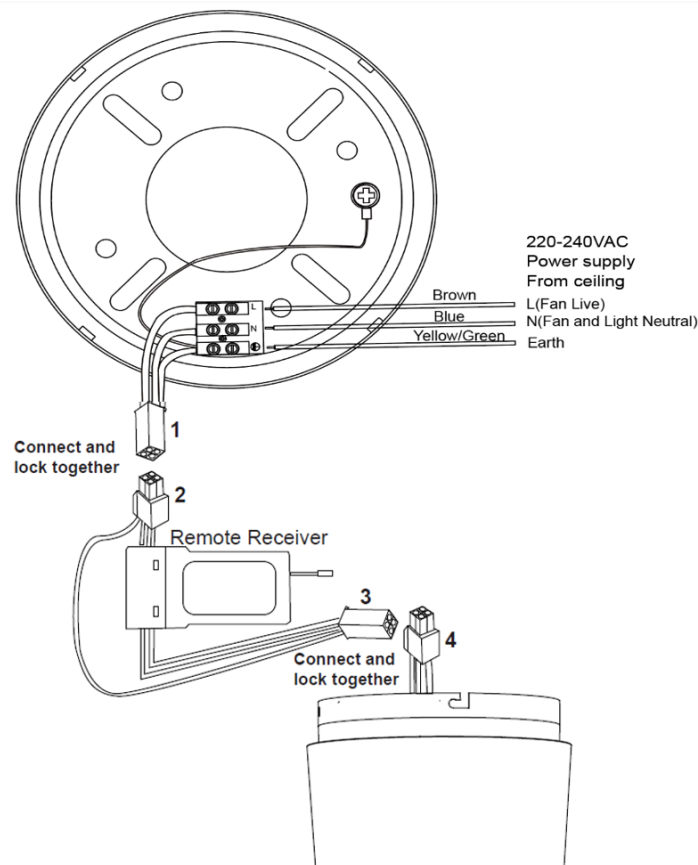


Fig. 5

220-240VAC Power supply from ceiling	220-240VAC Alimentation électrique depuis le plafond
L (Fan Live)	L (Phase du ventilateur)
N (Fan and Light Neutral)	N (Neutre du ventilateur et de l'éclairage)
Earth	Terre
Brown	Marron
Blue	Bleu
Yellow/Green	Jaune/vert
Connect and lock together	Se connecter et se verrouiller
Remote Receiver	Récepteur



INSTALLER LE VENTILATEUR SUR LE SUPPORT DE MONTAGE

- Après avoir effectué la connexion électrique au niveau du bornier du support de montage ;
- connecter le récepteur à distance et le ventilateur de plafond à l'aide du connecteur rapide ;
- Assurez-vous que le câblage de mise à la terre est sûr et correct, en effectuant un test de continuité de la mise à la terre depuis le corps métallique accessible du ventilateur jusqu'à la borne de mise à la terre située sur le bornier du support de montage.

Installer le ventilateur sur le support de montage (Fig.6).

- Quatre vis sont préinstallées sur le support de montage :
- Desserrer les deux vis de l'auvent avec la rondelle étoilée (2) d'un demi-taraudage par rapport au support de montage. (Pour la fente en forme de L sur l'auvent à monter).
- Desserrer les deux vis de l'auvent (1) et les retirer du support de montage.
- Soulever l'auvent du ventilateur jusqu'au support de montage et laisser la fente en forme de L de l'auvent passer à travers les deux vis de l'auvent avec la rondelle étoilée (2).
- Tourner le baldaquin jusqu'à ce qu'il s'enclenche à l'extrémité de la fente en forme de L, en veillant à ce que la rondelle étoilée se trouve entre le baldaquin (3) et la tête de vis. Fixez-le en serrant les deux vis de l'auvent avec la rondelle étoilée (2).
- Fixez et serrez les vis de l'auvent (1) au support de montage. L'auvent de suspension (3) doit comporter 4 vis (1) et (2) au total. Évitez d'endommager le câblage électrique préparé précédemment lorsque vous suspendez l'auvent.
- Enfin, fixez le couvercle de l'auvent (4) au support de montage, en poussant les crochets du couvercle de l'auvent dans les trous de la fente de l'auvent suspendu et en le tournant dans le sens inverse des aiguilles d'une montre.

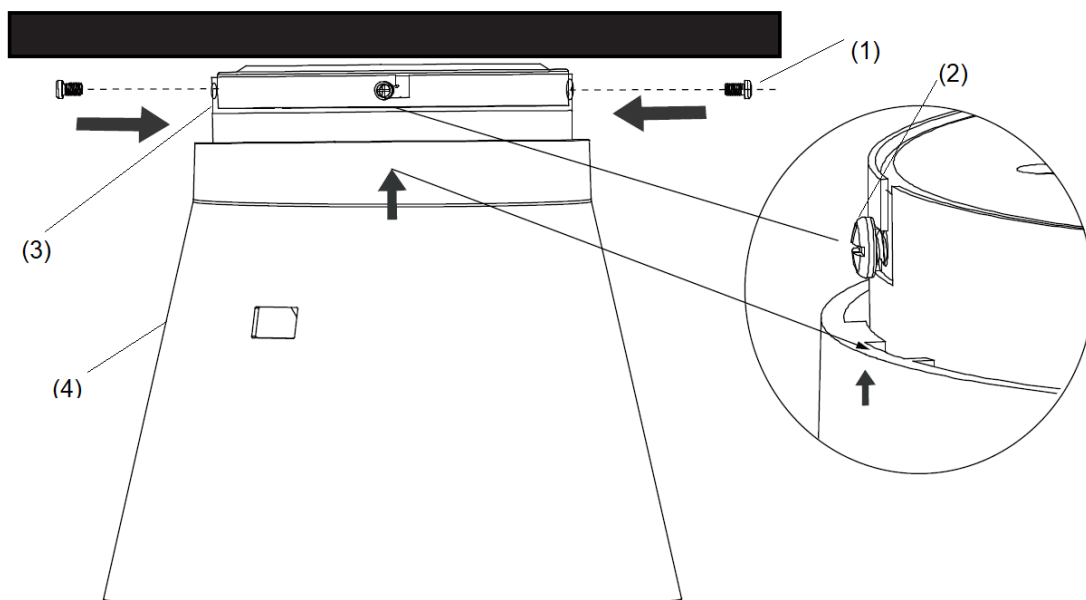


Fig. 6



INSTALLATION DU VENTILATEUR ET DU KIT D'ÉCLAIRAGE**Fixation de la lame (Fig.7)**

4. Avant d'installer les pales, retirez les vis et les rondelles plates de la partie inférieure du moteur du ventilateur.
5. Aligner les 2 trous de la pale avec les 2 trous de l'élément rotatif du moteur du ventilateur et utiliser les 2 vis de pale de l'étape 1 pour fixer la pale au moteur du ventilateur.
Veillez à ce que toutes les vis soient serrées uniformément afin de réduire le risque de déformation ou de déséquilibre. Veillez à ne pas trop serrer les vis, car cela pourrait endommager les lames.
6. Une fois l'opération terminée, répétez le processus pour les autres lames.

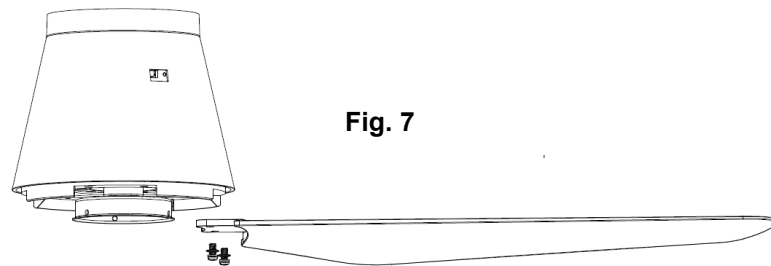


Fig. 7

INSTALLATION DU COUVERCLE INFÉRIEUR (POUR LE VENTILATEUR SANS LUMIÈRE Fig.8)

Fixez le couvercle inférieur du moteur au ventilateur en le tournant dans le sens des aiguilles d'une montre.

POUR SKU# 212999 & 213000

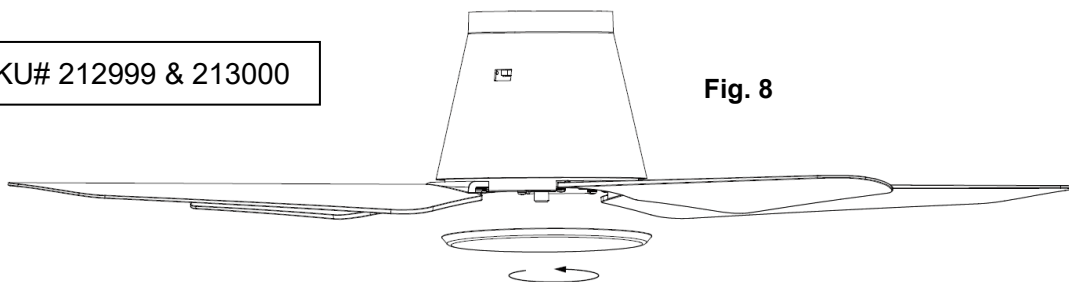


Fig. 8

INSTALLATION DU KIT DE LUMIÈRE LED (POUR LE VENTILATEUR AVEC LUMIÈRE Fig.9)

- Fixez le kit d'éclairage LED à la base de la lampe et connectez les fils au kit d'éclairage LED à l'aide des connecteurs rapides.
- Fixez le kit d'éclairage LED sur la base de la lampe en tournant le corps du kit d'éclairage LED dans le sens des aiguilles d'une montre. Veillez à ne pas croiser ou tordre les fils et à ne pas les endommager.

POUR SKU# 213001 & 213002

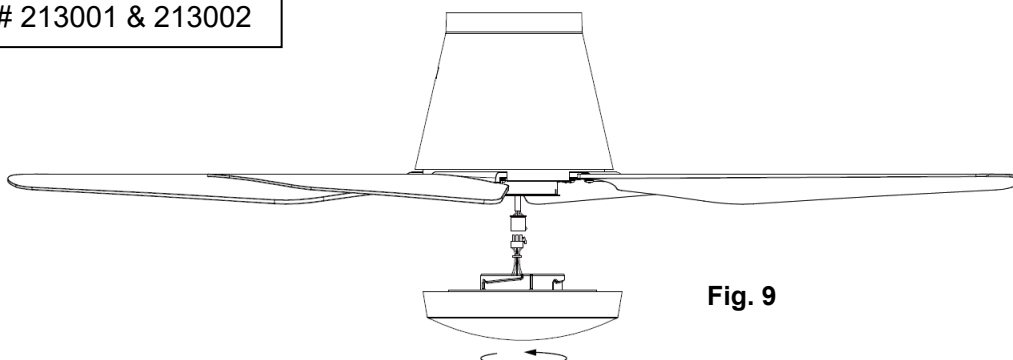


Fig. 9



UTILISATION DE VOTRE VENTILATEUR DE PLAFOND - TÉLÉCOMMANDE

Votre ventilateur de plafond est contrôlé par la télécommande. Quatre boutons (HI, MED, LOW, OFF) permettent de contrôler la vitesse du ventilateur et un bouton permet d'allumer et d'éteindre la lumière.

Fig. 10

Avant d'utiliser la télécommande, il faut tenir compte des points suivants.

- 2 piles AAA 1,5V (taille) sont nécessaires pour faire fonctionner la télécommande. Retirez le couvercle du compartiment à piles à l'arrière de la télécommande et insérez 2 piles AAA. Veillez à ce que les polarités soient correctes, comme indiqué dans le compartiment à piles. (Fig.11) (Les piles ne sont pas incluses.)
- La télécommande (émetteur) et le récepteur doivent être configurés de manière à ce que la communication entre eux soit appariée. Pour ce faire, le commutateur DIP du récepteur et de la télécommande doit être réglé sur la même position. (Fig. 12)

Remarque : L'ensemble de commutateurs DIP comporte 4 commutateurs qui peuvent être configurés pour 16 combinaisons différentes de codes de transmission. Ceci est pratique lorsqu'il y a plus d'une paire télécommande/récepteur fonctionnant localement ou dans la même pièce.

Remarque : Pour accéder aux commutateurs DIP du récepteur, retirez le couvercle des commutateurs DIP.

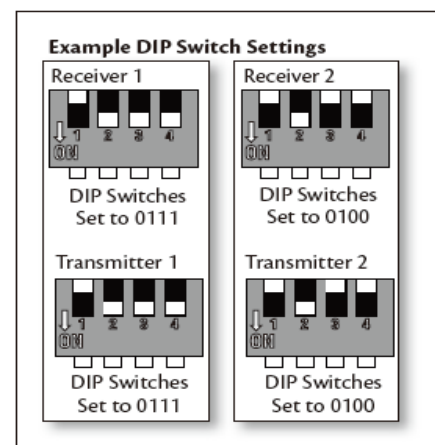
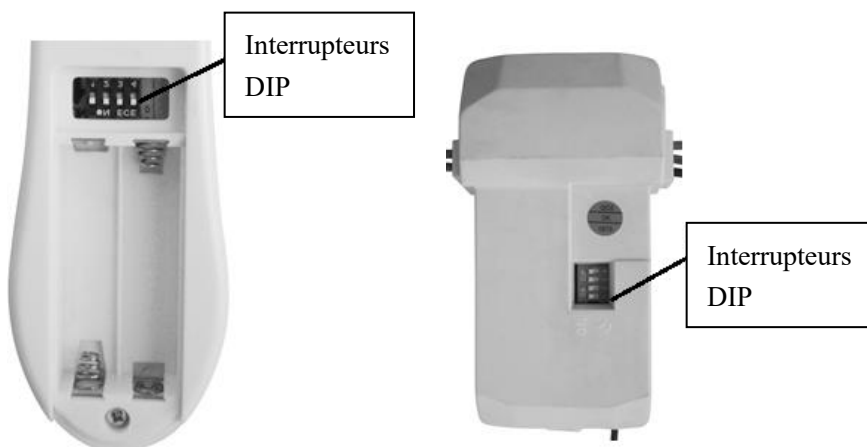


Fig. 11 Compartiment des piles de la télécommande

Fig. 12 Interrupteur DIP du récepteur

Example DIP Switch Settings	Exemples de réglages des interrupteurs DIP
Receiver 1	Récepteur 1
DIP Switches Set to 0111	Interrupteurs DIP configurés sur 0111
Receiver 2	Récepteur 2
DIP Switches Set to 0100	Interrupteurs DIP configurés sur 0100
Transmitter 1	Télécommande 1
DIP Switches Set to 0111	Interrupteurs DIP configurés sur 0111
Transmitter 2	Télécommande 2
DIP Switches Set to 0100	Interrupteurs DIP configurés sur 0100

L'UTILISATION DE LA TÉLÉCOMMANDE :

Avant de commencer à utiliser la télécommande, prenez le temps de lire cette section et de vous familiariser avec les touches et leur fonction.

Indicateur LED

L'indicateur LED rouge situé sur le dessus de l'émetteur clignote lorsque les boutons sont actifs.

DE LA TÉLÉCOMMANDE

HI : Appuyer sur la touche pour faire fonctionner le ventilateur à grande vitesse.

MED : Appuyer sur la touche pour régler le ventilateur sur une vitesse moyenne.

LOW : Appuyer sur la touche pour faire fonctionner le ventilateur à basse vitesse.

OFF : Appuyez sur le bouton pour éteindre le ventilateur.



Fig. 10

LED indicator	Indicateur LED
Turn on the fan at high speed	Allumer le ventilateur à vitesse rapide
Turn on the fan at medium speed	Allumer le ventilateur à vitesse intermédiaire
Turn on the fan at low speed	Allumer le ventilateur à vitesse lente
Turn off the fan	Éteindre le ventilateur
Turn on / off the light	Allumer/éteindre l'éclairage

CONTRÔLE DE LA LUMIÈRE

 : Appuyez sur le bouton pour allumer/éteindre la lumière.

La télécommande est dotée d'une fonction de mémorisation. Si le ventilateur ou la lumière est éteint(e) par l'interrupteur d'isolement, il/elle mémorisera et retrouvera son dernier état lors de la prochaine mise en marche.

Le kit d'éclairage LED est doté d'une fonction de gradation à 3 niveaux, contrôlée par un interrupteur ON/OFF. Il suffit de basculer l'interrupteur ON/OFF du luminaire 4 fois en 5 secondes pour que le globe s'allume dans l'ordre suivant :

100 % de luminosité → 40 % de luminosité → 13 % de luminosité → 100 % de luminosité

Pour revenir à une luminosité de 100 % à n'importe quel moment, éteignez le luminaire, puis rallumez-le après 5 secondes, il se réinitialisera à une luminosité de 100 %.

INSTALLATION DU PORTE-TÉLÉCOMMANDE (Fig. 13)

1. Repérez un mur ou une surface appropriée pour fixer le support mural de la télécommande.
2. Retirez le cache-vis et installez le support à l'aide des deux vis, puis réinstallez le cache-vis. (Fig.13a).
3. Faites glisser la télécommande dans le support. (Fig. 13b).

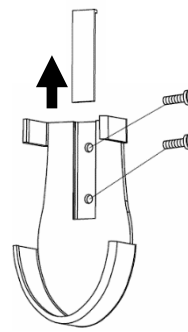


Fig. 13a

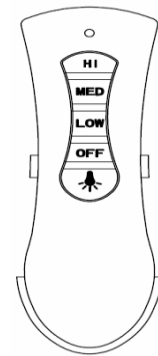


Fig. 13b

INTERRUPTEUR DE REVERSEMENT (Fig. 14)

Votre ventilateur de plafond peut fonctionner en mode été ou en mode hiver.

Mode ETE : L'interrupteur de marche arrière doit être en position ÉTÉ pour que le ventilateur tourne dans le sens inverse des aiguilles d'une montre. Le flux d'air sera dirigé vers le bas, pour un refroidissement en été.

Mode Hiver : L'inverseur doit être en position Hiver pour que le ventilateur tourne dans le sens des aiguilles d'une montre. Le flux d'air est dirigé vers le haut, ce qui favorise la circulation de l'air chaud et permet d'économiser de l'énergie en hiver.

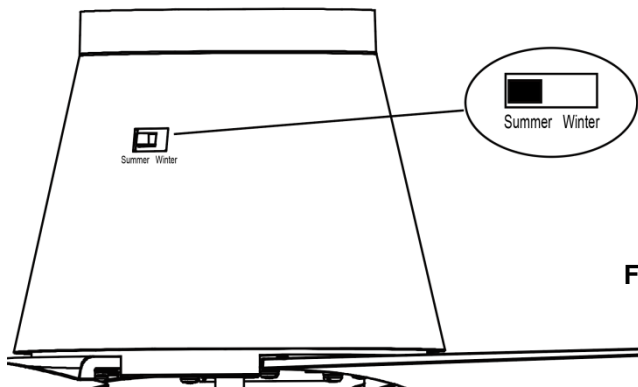
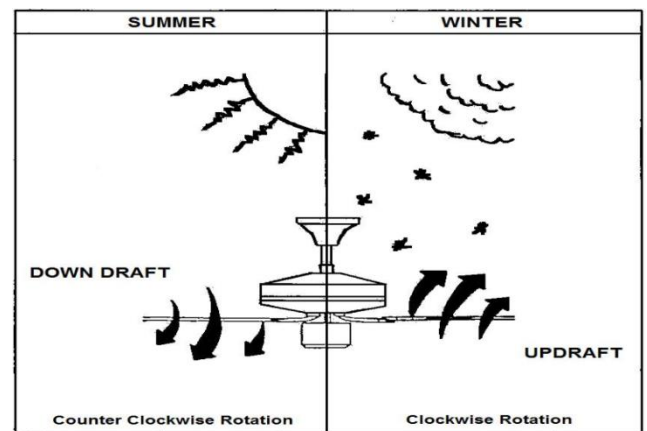


Fig. 14



SUMMER	SUMMER
WINTER	WINTER
DOWN DRAFT	COURANT D’AIR VERS LE BAS
UPDRAFT	COURANT D’AIR VERS LE HAUT
Counter Clockwise Rotation	Rotation dans le sens inverse des aiguilles d’une montre
Clockwise Rotation	Rotation dans le sens des aiguilles d’une montre

APRÈS L'INSTALLATION

POUR RÉDUIRE L'OSCILLATION DU VENTILATEUR : Vérifiez que toutes les vis qui fixent le support de montage et les pales sont bien serrées.

KIT D'ÉQUILIBRAGE : Un kit d'équilibrage est fourni pour équilibrer le ventilateur de plafond lors de l'installation initiale. Veuillez consulter les instructions pour savoir comment utiliser le kit d'équilibrage. Le kit d'équilibrage peut être utilisé pour aider à rééquilibrer le ventilateur de plafond s'il se déséquilibre à nouveau. Après l'installation, rangez le kit d'équilibrage pour pouvoir l'utiliser ultérieurement si nécessaire.

ENTRETIEN ET NETTOYAGE

REMARQUE : Coupez toujours l'alimentation électrique au niveau de l'interrupteur principal avant d'effectuer toute opération d'entretien ou de nettoyage de votre ventilateur.

- Le nettoyage périodique de votre ventilateur de plafond tous les 6 mois est le seul entretien nécessaire. Utilisez une brosse douce ou un chiffon non pelucheux pour éviter de rayer la peinture. Pour ce faire, veuillez couper l'alimentation électrique.
- Ne trempez pas ou n'immergez pas votre ventilateur de plafond dans l'eau ou dans d'autres liquides. Cela pourrait endommager le moteur ou les pales et créer un risque d'électrocution.
- Veillez à ce que le raccord n'entre pas en contact avec des solvants ou des nettoyeurs organiques.
- Pour nettoyer les pales du ventilateur, utilisez uniquement un chiffon humide et propre, sans aucun solvant ou nettoyeur organique.
- Le moteur est équipé d'un roulement à billes lubrifié en permanence, ce qui évite d'avoir à l'huiler.

PRÉCAUTIONS DE SÉCURITÉ POUR LA BATTERIE

- **AVERTISSEMENT** - Conservez les piles neuves et usagées hors de portée des enfants.
- **ATTENTION** - Ne pas ingérer la batterie - Risque de brûlure chimique.
- Utilisez toujours 2 piles de type AAA avec cette télécommande de ventilateur de plafond.
- Assurez-vous que les piles sont insérées en respectant la polarité.
- Pour éviter toute fausse manœuvre lors de l'insertion ou du remplacement des piles, ce ventilateur de plafond doit être déconnecté du réseau d'alimentation.
- les piles non rechargeables ne doivent pas être rechargées ;
- les différents types de piles ou les piles neuves et usagées ne doivent pas être mélangés ;
- Retirez les piles du produit lorsqu'il n'est pas utilisé pendant de longues périodes.
- Les piles doivent être retirées de l'émetteur à distance avant qu'il ne soit mis au rebut.
- Jetez les piles épuisées immédiatement et en toute sécurité (de manière à ce qu'elles ne puissent pas être récupérées par des enfants). Les piles peuvent encore être dangereuses. Contactez votre mairie pour vous débarrasser de la pile en toute sécurité.
- Vérifiez régulièrement le produit et assurez-vous que le couvercle du compartiment à piles est correctement fixé. Si le compartiment à piles ne ferme pas correctement, cessez d'utiliser le produit et tenez-le hors de portée des enfants.
- Si vous pensez que des piles ont été avalées ou placées à l'intérieur d'une partie du corps, consultez immédiatement un médecin. Si vous pensez que votre enfant a avalé ou inséré une pile bouton,



appelez le numéro d'urgence de votre pays si vous êtes en Europe pour obtenir rapidement les conseils d'un expert.

- Fuites de la batterie : Les piles contiennent des produits chimiques et doivent être traitées comme n'importe quel produit chimique. Prenez des précautions lorsque vous manipulez des produits chimiques de la batterie qui ont fui. Les produits chimiques de la batterie ne doivent pas être placés près des yeux ou ingérés. Appelez le numéro d'urgence de votre pays si vous êtes en Europe pour obtenir rapidement les conseils d'un expert.

INFORMATIONS TECHNIQUES

Ventilateur	Ventilateur 48" - Aria CTC sans lumière	Ventilateur 48" - Aria CTC avec lumière
SKU#	SKU# 212999, 213000	SKU# 213001, 213002
Tension nominale	220-240V~ 50Hz	
Puissance nominale (moteur)	50W	
Source d'éclairage	N/A	Ce produit contient une source lumineuse de classe d'efficacité énergétique E
Puissance nominale (kit d'éclairage)	N/A	18W, 3000K, gradable (gradation à 3 niveaux)
Poids	5,6 kg	
Dimensions de l'auvent	H:95mm Dia:130mm	

INFORMATIONS SUR LA GARANTIE


EN EUROPE - Si vous êtes un client européen, veuillez contacter le point de vente où le ventilateur a été acheté pour bénéficier de la garantie.



E**GRACIAS POR COMPRAR**


Gracias por adquirir este producto de calidad Lucci. Para garantizar el correcto funcionamiento y la seguridad, lea y siga atentamente todas las instrucciones antes de montar, instalar y utilizar este ventilador de techo. Conserve las instrucciones para futuras consultas.

PRECAUCIONES DE SEGURIDAD

1. Este aparato puede ser utilizado por niños a partir de 8 años y por personas con capacidades físicas, sensoriales o mentales reducidas o con falta de experiencia y conocimientos, si han recibido supervisión o instrucciones sobre el uso del aparato de forma segura y comprenden los peligros que conlleva. La limpieza y el mantenimiento no deben ser realizados por niños sin supervisión.
2. Los niños deben ser vigilados para evitar que jueguen con el aparato.
3. Debe incorporarse un interruptor de desconexión omnipolar en el cableado fijo, de acuerdo con las normas locales de cableado.
4.  No elimine los aparatos eléctricos como residuos urbanos sin clasificar, utilice instalaciones de recogida selectiva. Póngase en contacto con la administración local para obtener información sobre los sistemas de recogida disponibles. Si los aparatos eléctricos se eliminan en vertederos o basureros, las sustancias peligrosas pueden filtrarse a las aguas subterráneas e introducirse en la cadena alimentaria, perjudicando su salud y bienestar.
5. La estructura en la que se va a montar el ventilador debe poder soportar un peso de 23 kg.
6. El ventilador debe montarse de modo que las aspas estén a más de 2,3 m del suelo en Europa.
7. Este ventilador es adecuado para interiores, al aire libre y zonas costeras en las que el ventilador está totalmente cubierto con un mínimo de 1 pared. Este ventilador no es impermeable. Cuando se instale en una zona al aire libre o costera, el ventilador de techo debe colocarse en un lugar protegido del agua, el viento y el polvo. La exposición a estos elementos anulará la garantía. Montar el ventilador en una situación en la que esté expuesto al agua o a la humedad es peligroso y puede aumentar el riesgo de daños, lesiones o descargas eléctricas y anulará la garantía.
8. La instalación eléctrica debe ser realizada por un electricista cualificado con licencia.
9. **ADVERTENCIA:** Si se observa un bamboleo o movimiento oscilatorio inusual, deje de utilizar inmediatamente el ventilador de techo y póngase en contacto con el fabricante, su agente de servicio o personas debidamente cualificadas.
10. La sustitución de piezas del dispositivo del sistema de suspensión de seguridad deberá ser realizada por el fabricante, su agente de servicio o personas debidamente cualificadas.
11. Los medios de fijación para la sujeción al techo, como ganchos u otros dispositivos, se fijarán con una resistencia suficiente para soportar 4 veces el peso del ventilador de techo; que el montaje del



sistema de suspensión será realizado por el fabricante, su agente de servicio o personas debidamente cualificadas.

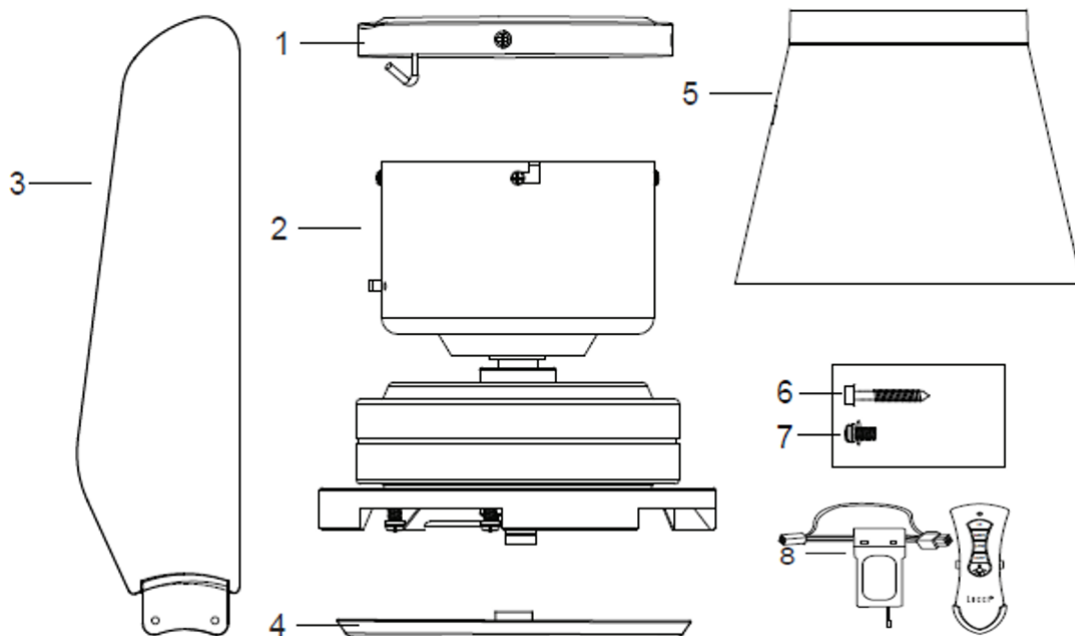
12.  precaución, riesgo de descarga eléctrica.

LISTA DE PIEZAS

- Desembale el ventilador de techo con cuidado. Retire todas las piezas y herrajes.
- Coloque todos los componentes sobre una superficie lisa y asegúrese de que no falte ningún componente antes de proceder al montaje. Si faltan piezas, devuelva el producto completo al lugar de compra para su inspección o sustitución.
- Compruebe si el ventilador de techo ha sufrido daños durante el transporte. No utilice ni instale ningún producto que parezca estar dañado de algún modo. Devuelva el producto completo al lugar de compra para su inspección, reparación o sustitución.
- Examine todas las piezas, debe tener la siguiente lista y Fig.1:

Ventilador con mando a distancia (sin kit de iluminación) (SKU# 212999 & 213000)		Ventilador con mando a distancia (con kit de iluminación) (SKU# 213001 & 213002)	
1	Soporte de montaje x 1	1	Soporte de montaje x 1
2	Conjunto motor x 1	2	Conjunto motor x 1
3	Cuchillas x 4	3	Cuchillas x 4
4	Tapa inferior del motor x 1	4	Kit de luces LED x 1
5	Tapa de la carcasa del motor x 1	5	Tapa de la carcasa del motor x 1
6	Tornillos de montaje x 4	6	Tornillos de montaje x 4
7	Tornillo de repuesto para el aspa del ventilador x 1	7	Tornillo de repuesto para el aspa del ventilador x 1
8	Receptor remoto y mando a distancia x 1 juego	8	Receptor remoto y mando a distancia x 1 juego

Ventilador con mando a distancia (sin juego de luces) SKU# 212999 & 213000



Ventilador con mando a distancia (con kit de luz) SKU# 213001 & 213002

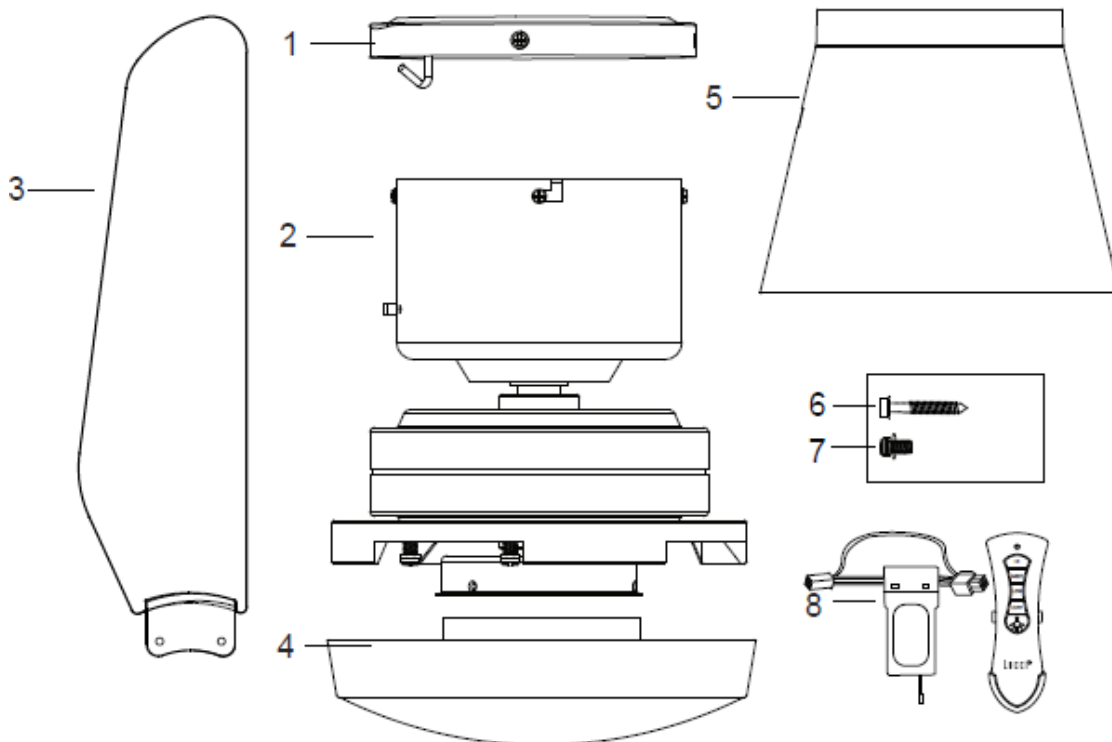



Fig. 1

 This fan is suitable for indoor, alfresco and coastal areas where the fan is fully undercover with a minimum of 1 walls. This fan is not waterproof. When installed in an alfresco or coastal area, the ceiling fan must be positioned in a location protected from water, wind and dust. Exposure to these elements will void the warranty. Mounting the fan in a situation where it is subject to water or moisture is dangerous.

INSTALACIÓN DEL SOPORTE DE MONTAJE

- El ventilador de techo debe instalarse en un lugar en el que las aspas queden a una distancia de 300 mm desde la punta de las aspas hasta los objetos o paredes más cercanos.
- Instale el soporte colgante en la vigueta del techo o en una estructura capaz de soportar una carga de al menos 23 kg, con los 4 tornillos largos suministrados. Asegúrese de que al menos 30 mm del tornillo queden roscados en el soporte. (Fig. 2)

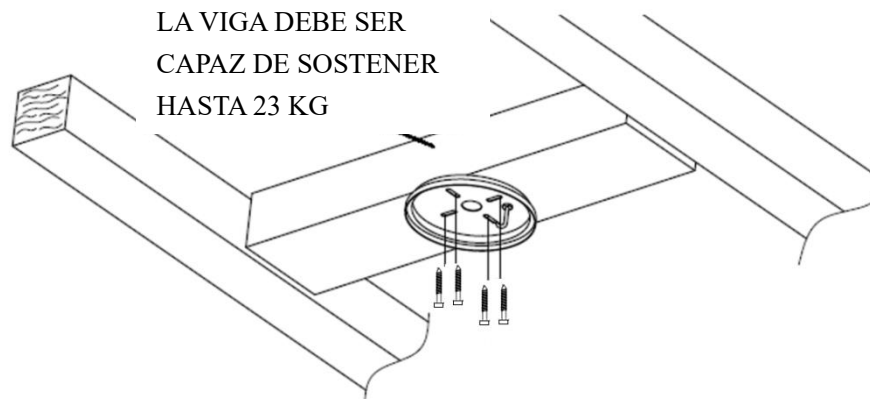


Fig. 2

NOTA: Los tornillos de soporte suministrados son para uso exclusivo con estructuras de madera. Para estructuras que no sean de madera, **DEBE** utilizarse el tipo de tornillo adecuado. Asegúrese de que los tornillos utilizados son adecuados para la superficie de montaje y el entorno circundante.

INSTALACIÓN DE TECHOS INCLINADOS

Este sistema para colgar ventiladores **NO** admite la instalación en el techo con un ángulo de un grado.

COLGAR EL CONJUNTO VENTILADOR-MOTOR

- Instale la carcasa del motor (1) en el conjunto del motor. (Fig.3)
- Levante el conjunto del ventilador hasta el soporte de montaje. Cuelgue el conjunto del ventilador en el gancho en J (2) del soporte de montaje. (Fig.4)
- Complete el cableado eléctrico de acuerdo con la sección "DIAGRAMA DE CABLEADO ELÉCTRICO" que figura a continuación.

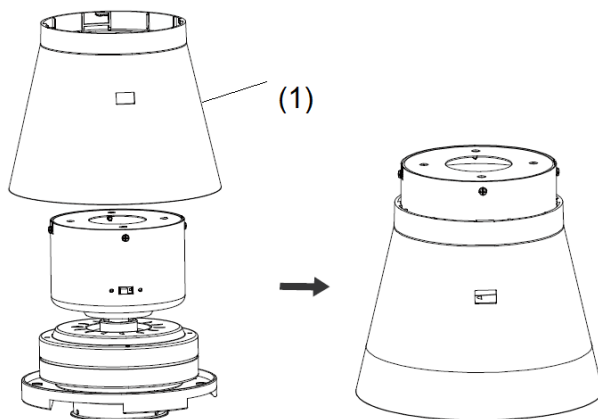


Fig. 3

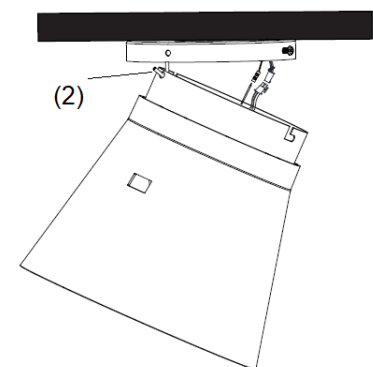


Fig. 4

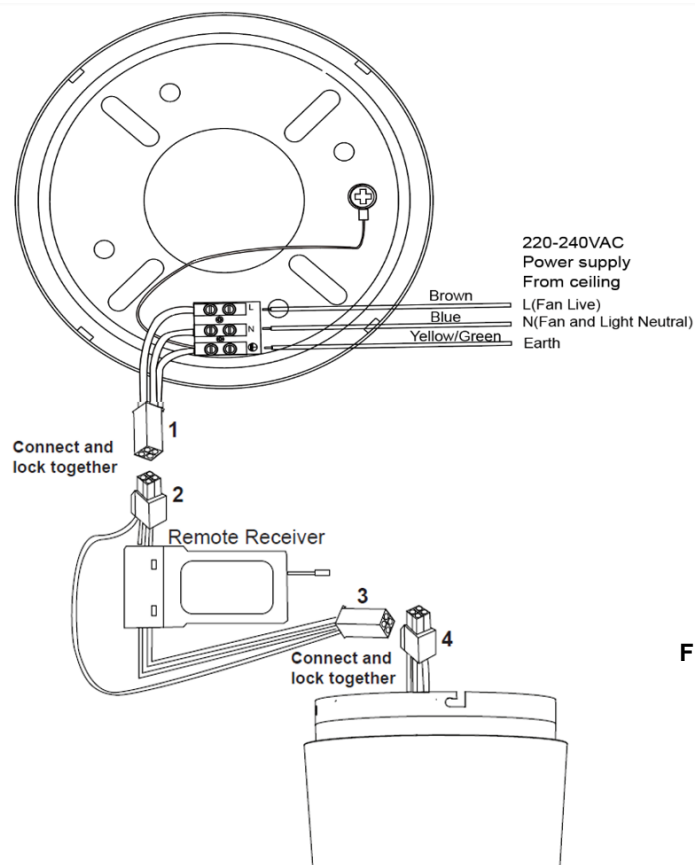


CABLEADO ELÉCTRICO DEL VENTILADOR


NOTA: El diagrama de cableado incluye el cableado del kit de luz. El diagrama de cableado de la luz y el interruptor se omiten cuando no se utiliza un kit de luz con el ventilador de techo.

DIAGRAMA DE CABLEADO DE LOS MODELOS CON CONTROLADOR REMOTO (Fig.5):

- Realice la conexión de los cables L, N y Tierra al bloque de terminales del soporte de montaje como se muestra en el diagrama de la Fig. 5.
- Enchufe los conectores rápidos del soporte de montaje (1) y del receptor remoto (2) y asegúrese de que encajan.
- Enchufe los conectores rápidos del receptor remoto (3) y del ventilador (4) y asegúrese de que encajan.
- Coloque el receptor remoto en la cavidad de la cubierta colgante del conjunto del motor con el resto del cableado interno.



220-240VAC Power supply from ceiling	220-240VAC Alimentación desde el techo
L (Fan Live)	L (fase del ventilador)
N (Fan and Light Neutral)	N (neutro del ventilador y la luz)
Earth	Tierra
Brown	Marrón
Blue	Azul
Yellow/Green	Amarillo y verde
Connect and lock together	Conectar y bloquear
Remote Receiver	Receptor de la señal remota



This fan is suitable for indoor, alfresco and coastal areas where the fan is fully undercover with a minimum of 1 walls. This fan is not waterproof. When installed in an alfresco or coastal area, the ceiling fan must be positioned in a location protected from water, wind and dust. Exposure to these elements will void the warranty. Mounting the fan in a situation where it is subject to water or moisture is dangerous.

INSTALE EL CONJUNTO DEL VENTILADOR EN EL SOPORTE DE MONTAJE

- Después de completar la conexión eléctrica en el bloque de terminales del soporte de montaje;
- conecte el receptor remoto y el ventilador de techo a través del conector rápido;
- Asegúrese de que el cableado de tierra es seguro y correcto, realizando una prueba de continuidad de tierra desde el cuerpo metálico accesible del ventilador hasta el terminal de tierra en el bloque de terminales del soporte de montaje.

Instale el conjunto del ventilador en el soporte de montaje (Fig.6)

- Hay 4 tornillos preinstalados en el soporte de montaje:
- Afloje dos tornillos de la marquesina con arandela de estrella (2) media rosca del soporte de montaje. (Para la ranura en forma de L en el dosel a montar).
- Afloje los dos tornillos del tejadillo (1) y retírelo del soporte de montaje.
- Levante el tejadillo colgante del conjunto del ventilador hasta el soporte de montaje y deje que la ranura en forma de L del tejadillo colgante pase a través de los dos tornillos del tejadillo con arandela de estrella (2).
- Gire el toldo colgante hasta que encaje en la sección final de la ranura en forma de L, asegúrese de que la arandela de estrella esté entre el toldo colgante (3) y la cabeza del tornillo. Fíjela apretando los dos tornillos de la capota con la arandela de estrella (2).
- Fije y apriete los tornillos del tejadillo (1) al soporte de montaje. La marquesina colgante (3) tendrá 4 tornillos (1) y (2) en total. Evite dañar el cableado eléctrico preparado previamente al colgar la marquesina.
- Por último, coloque la cubierta de la capota (4) en el soporte de montaje, fíjela introduciendo los ganchos de la cubierta de la capota en los orificios de la ranura de la capota colgante y gírela en el sentido contrario a las agujas del reloj.

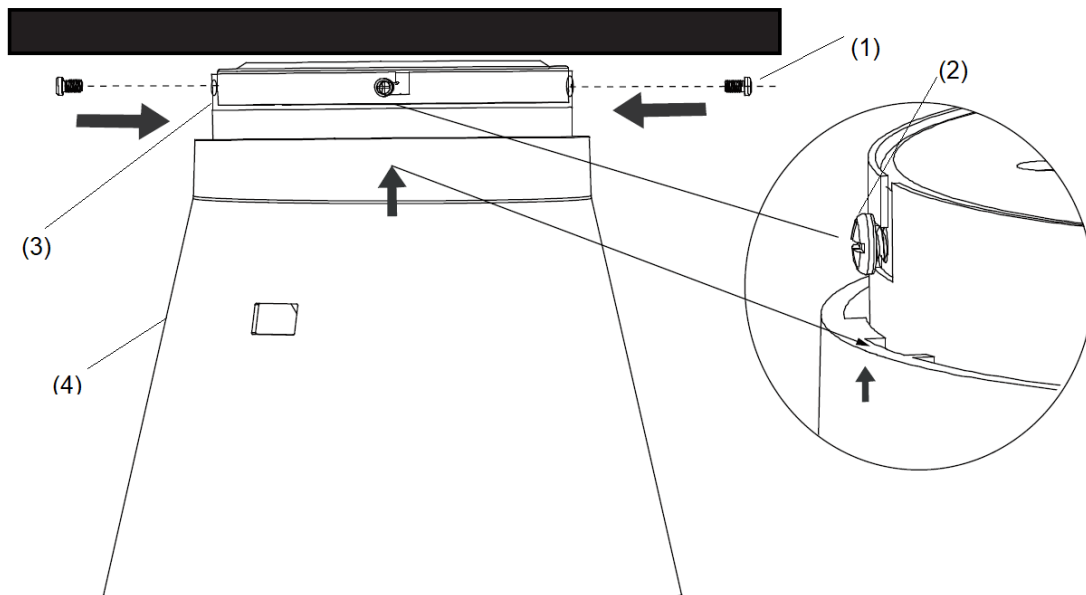


Fig. 6



INSTALACIÓN DEL ASPA DEL VENTILADOR Y DEL KIT DE LUZ**SUJECIÓN DE LA HOJA (Fig.7)**

1. Antes de instalar las aspas, retire los tornillos de las aspas y las arandelas planas de la parte inferior del motor del ventilador.
2. Alinee los 2 orificios del aspa con los 2 orificios del elemento giratorio del conjunto del motor del ventilador y, utilizando los 2 tornillos del aspa del paso 1, fije el aspa al conjunto del motor del ventilador.
Asegúrese de que todos los tornillos estén apretados uniformemente para reducir la posibilidad de alabeo o desequilibrio. Tenga cuidado de no apretar demasiado los tornillos, ya que podría dañar las cuchillas.
3. Una vez terminado, repita el proceso en las cuchillas restantes.

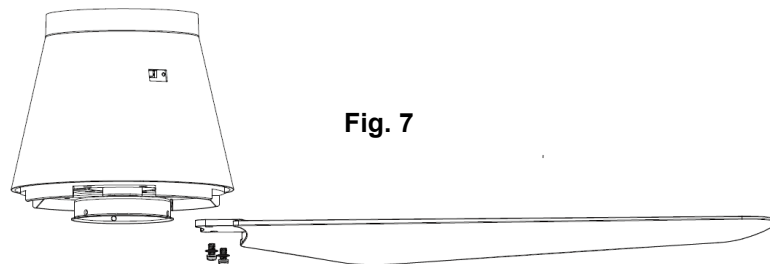


Fig. 7

INSTALACIÓN DE LA TAPA INFERIOR (PARA VENTILADOR SIN LUZ Fig.8)

Fije la cubierta inferior del motor al ventilador girándola en el sentido de las agujas del reloj.

PARA SKU# 212999 & 213000

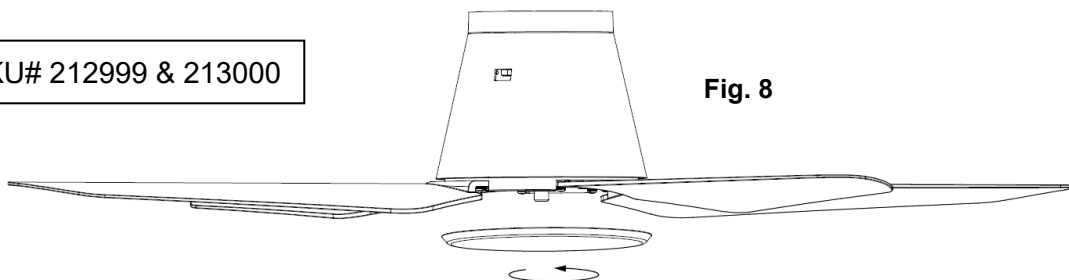


Fig. 8

INSTALACIÓN DEL KIT DE LUZ LED (PARA VENTILADOR CON LUZ Fig.9)

- Fije el kit de luz LED a la base de la lámpara y conecte los cables al kit de luz LED mediante los conectores rápidos.
- Fije el kit de luz LED en la base de la lámpara girando el cuerpo del kit de luz LED en el sentido de las agujas del reloj. Tenga cuidado de no cruzar o retorcer y dañar los cables.

PARA SKU# 213001 & 213002

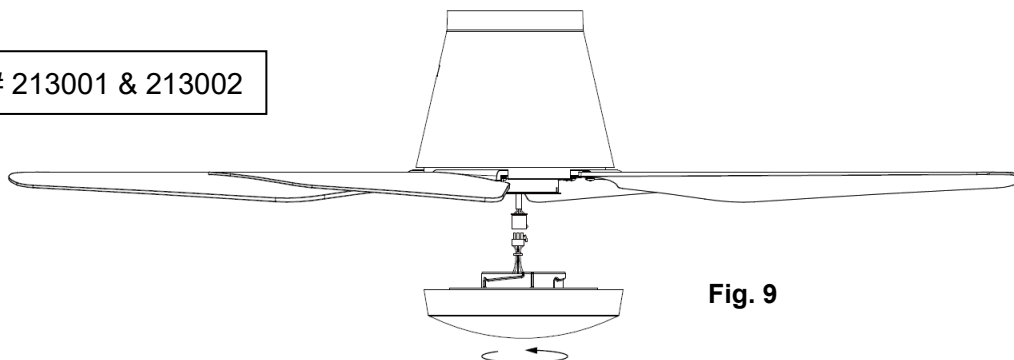


Fig. 9



UTILIZACIÓN DEL VENTILADOR DE TECHO - MANDO A DISTANCIA

El ventilador de techo se controla con el mando a distancia. Dispone de 4 botones (HI, MED, LOW, OFF) para controlar la velocidad del ventilador y un botón para controlar el encendido/apagado de la luz. **Fig. 10**

Antes de utilizar el mando a distancia, hay que tener en cuenta lo siguiente.

- Para utilizar el mando a distancia se necesitan 2 pilas AAA de 1,5 V (tamaño). Retire la tapa del compartimento de las pilas de la parte posterior del mando a distancia e inserte 2 pilas AAA. Asegúrese de que las polaridades son las correctas, tal y como se muestra en el compartimento de las pilas. **(Fig.11)** (Pilas no incluidas.)
- El mando a distancia (transmisor) y el receptor deben estar configurados de forma que la comunicación entre ellos esté emparejada. Esto se consigue poniendo el interruptor DIP del receptor y del mando a distancia en la misma posición. **(Fig. 12)**

Nota: El conjunto de interruptores DIP tiene 4 interruptores que pueden configurarse para 16 combinaciones de códigos de transmisión diferentes. Esto es práctico cuando hay más de 1 par remoto/receptor operando localmente o en la misma habitación.

Nota: Para acceder a los interruptores DIP del receptor, retire la tapa de los interruptores DIP.

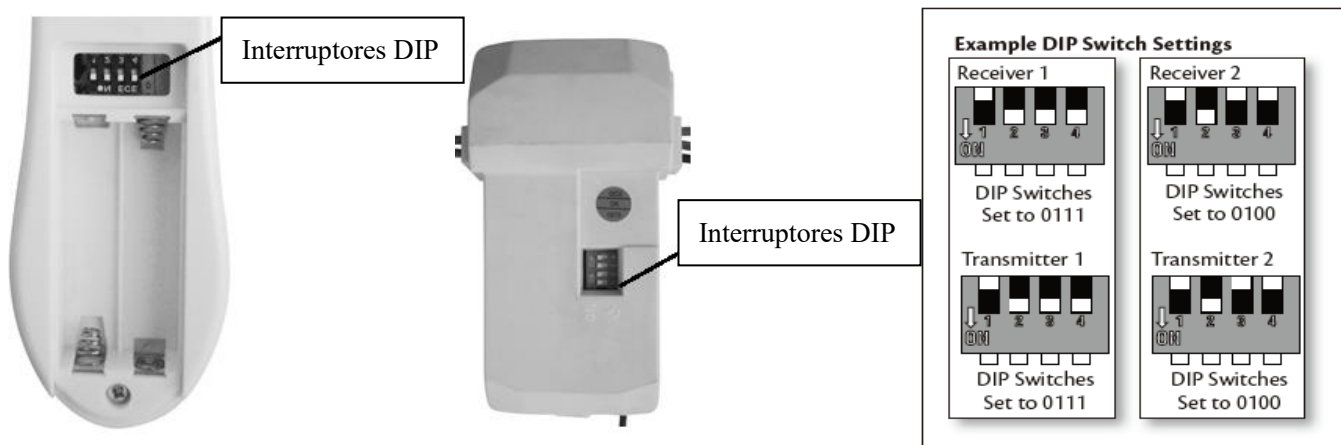


Fig. 11 Compartimento de las pilas del mando **Fig. 12** Interruptor DIP del receptor

Example DIP Switch Settings	Ejemplo de ajustes de interruptores DIP
Receiver 1	Receptor 1
DIP Switches Set to 0111	Interruptores DIP ajustados a 0111
Receiver 2	Receptor 2
DIP Switches Set to 0100	Interruptores DIP ajustados a 0100
Transmitter 1	Transmisor 1
DIP Switches Set to 0111	Interruptores DIP ajustados a 0111
Transmitter 2	Transmisor 2
DIP Switches Set to 0100	Interruptores DIP ajustados a 0100

MANEJAR EL MANDO A DISTANCIA:

Antes de empezar a utilizar el mando a distancia, tómesese su tiempo para leer esta sección y familiarizarse con los botones y la función de cada uno de ellos.

Indicador LED

El indicador LED rojo de la parte superior del transmisor parpadeará cuando los botones estén activos.

DEL MANDO A DISTANCIA

HI: Pulse el botón para poner el ventilador a alta velocidad.

MED: Pulse el botón para ajustar el ventilador a velocidad media.

BAJA: Pulse el botón para poner el ventilador a baja velocidad.

OFF: Pulse el botón para apagar el ventilador.



Fig. 10

LED indicator	Indicador led
Turn on the fan at high speed	Enciende el ventilador con una velocidad alta
Turn on the fan at medium speed	Enciende el ventilador con una velocidad moderada
Turn on the fan at low speed	Enciende el ventilador con una velocidad baja
Turn off the fan	Apaga el ventilador
Turn on / off the light	Enciende o apaga la luz

CONTROL DE LA LUZ



Pulse el botón para encender o apagar la luz.

El mando a distancia tiene función de memoria. Si el ventilador o la luz se apagan mediante el interruptor de aislamiento, memorizarán y recuperarán el último estado cuando se enciendan de nuevo.

El kit de iluminación LED tiene una función de regulación en 3 pasos que se controla mediante un interruptor ON/OFF. Accione el interruptor ON/OFF de la luminaria 4 veces en 5 segundos, el globo se iluminará en el siguiente orden:

100% de luminosidad → 40% de luminosidad → 13% de luminosidad → 100% de luminosidad.

Para volver al 100% de luminosidad en cualquier momento, apague la luminaria y, transcurridos 5 segundos, vuelva a encenderla para que vuelva al 100% de luminosidad.

INSTALACIÓN DEL PORTACONTROL REMOTO (Fig. 13)

1. Localice una pared o superficie adecuada para fijar el soporte mural del mando a distancia.
2. Retire la tapa de tornillos e instale el soporte utilizando los 2 tornillos y vuelva a instalar la tapa de tornillos. (Fig.13a).
3. Deslice el mando a distancia en el soporte.

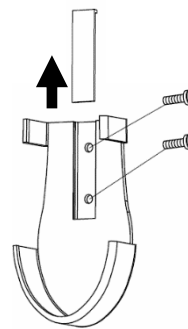


Fig. 13a

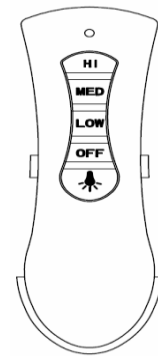


Fig. 13b

INTERRUPTOR DE GIRO (Fig. 14)

Su ventilador de techo puede funcionar en modo verano o invierno.

Modo VERANO: El interruptor de inversión estará en la posición VERANO para que el ventilador gire en sentido contrario a las agujas del reloj. El flujo de aire se dirigirá hacia abajo, para refrigerar en verano.

Modo INVIERNO: El interruptor de inversión estará en la posición INVIERNO para que el ventilador gire en el sentido de las agujas del reloj. El flujo de aire se dirigirá hacia arriba ayudando a la circulación de aire caliente, para la conservación de energía en invierno.

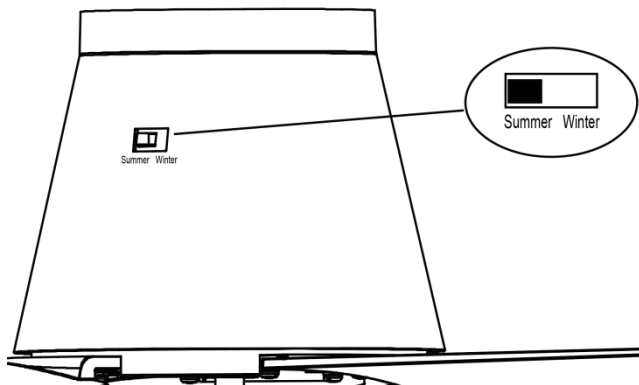
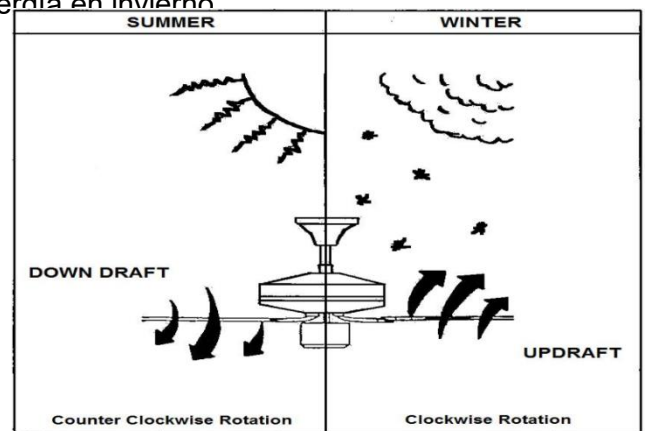


Fig. 14



SUMMER	SUMMER
WINTER	WINTER
DOWN DRAFT	CORRIENTE DESCENDENTE
UPDRAFT	CORRIENTE ASCENDENTE
Counter Clockwise Rotation	Rotación en sentido horario
Clockwise Rotation	Rotación en sentido antihorario

DESPUÉS DE LA INSTALACIÓN

PARA REDUCIR EL BAMBOLEO DEL VENTILADOR: Compruebe que todos los tornillos que fijan el soporte de montaje y las aspas estén bien apretados.

KIT DE EQUILIBRIO: Se suministra un kit de equilibrado para equilibrar el ventilador de techo en la instalación inicial. Consulte las instrucciones de uso del kit de equilibrado. El kit de equilibrado puede utilizarse para ayudar a reequilibrar el ventilador de techo en caso de que vuelva a desequilibrarse. Guarde el kit de equilibrado después de la instalación para utilizarlo en el futuro si es necesario.

CUIDADO Y LIMPIEZA

NOTA: Desconecte siempre la alimentación en el interruptor de red antes de realizar cualquier tarea de mantenimiento o intentar limpiar el ventilador.

- La limpieza periódica de su ventilador de techo cada 6 meses es el único mantenimiento necesario. Utilice un cepillo suave o un paño que no suelte pelusa para evitar rayar el acabado de pintura. Por favor, desconecte la corriente eléctrica cuando lo haga.
- No remoje ni sumerja su ventilador de techo en el agua u otros líquidos. Podría dañar el motor o las aspas y crear la posibilidad de una descarga eléctrica.
- Asegúrese de que el accesorio no entre en contacto con disolventes o limpiadores orgánicos.
- Para limpiar el aspa del ventilador, límpiela sólo con un paño limpio y húmedo SIN disolventes ni limpiadores orgánicos.
- El motor tiene un rodamiento de bolas de lubricación permanente, por lo que no es necesario engrasarlo.

PRECAUCIONES DE SEGURIDAD PARA LA BATERÍA

- **ADVERTENCIA** - Mantenga las pilas nuevas y usadas fuera del alcance de los niños.
- **PRECAUCIÓN** - No ingerir la pila-Peligro de quemaduras químicas.
- Utilice siempre 2 pilas de tipo AAA con este mando a distancia de ventilador de techo.
- Asegúrese de que las pilas están insertadas con la polaridad correcta.
- Para evitar un funcionamiento incorrecto durante la inserción o sustitución de la batería, este ventilador de techo debe desconectarse de la red eléctrica.
- las pilas no recargables no deben recargarse;
- no deben mezclarse distintos tipos de pilas o pilas nuevas y usadas;
- Retire las pilas del producto cuando no vaya a utilizarlo durante períodos prolongados.
- Las pilas deben retirarse del transmisor remoto antes de desecharlo.
- Deshágase de las pilas gastadas inmediatamente y de forma segura (para que no puedan ser recuperadas por los niños). Las pilas pueden seguir siendo peligrosas. Ponte en contacto con tu ayuntamiento para deshacerte de la pila de forma segura.
- Compruebe periódicamente el producto y asegúrese de que la tapa del compartimento de las pilas está correctamente cerrada. Si el compartimento de las pilas no cierra bien, deje de utilizar el producto y manténgalo alejado de los niños.
- Si cree que las pilas pueden haber sido ingeridas o introducidas en cualquier parte del cuerpo, solicite atención médica inmediata. Si sospecha que su hijo se ha tragado o introducido una pila de botón,



llame al número de emergencias de su país si se encuentra en Europa para obtener asesoramiento rápido y experto.

- Fugas en la batería: La batería contiene productos químicos y debe tratarse como cualquier producto químico. Tome precauciones al manipular los productos químicos de la batería que se hayan derramado. Los productos químicos de la batería no deben colocarse cerca de los ojos ni ingerirse. llame al número de emergencias de su país si se encuentra en Europa para obtener asesoramiento rápido y experto.

INFORMACIÓN TÉCNICA		
Ventilador	Ventilador de 48" - Aria CTC sin luz	Ventilador de 48" - Aria CTC con luz
SKU	SKU# 212999, 213000	SKU# 213001, 213002
Tensión nominal	220-240V~ 50Hz	
Potencia nominal (motor)	50W	
Fuente de luz	N/A	Este producto contiene una fuente luminosa de clase de eficiencia energética E
Potencia nominal (kit de iluminación)	N/A	18 W, 3000 K, regulable (regulación en 3 niveles)
Peso	5,6 kg	
Dimensiones del tejadillo	H:95mm Dia:130mm	

INFORMACIÓN SOBRE LA GARANTÍA

EN EUROPA - Si es un cliente europeo, póngase en contacto con el punto de venta donde adquirió el ventilador para solicitar el servicio de garantía.



This fan is suitable for indoor, alfresco and coastal areas where the fan is fully undercover with a minimum of 1 walls. This fan is not waterproof. When installed in an alfresco or coastal area, the ceiling fan must be positioned in a location protected from water, wind and dust. Exposure to these elements will void the warranty. Mounting the fan in a situation where it is subject to water or moisture is dangerous.

I


GRAZIE PER L'ACQUISTO

Grazie per aver acquistato questo prodotto di qualità Lucci. Per garantire il corretto funzionamento e la sicurezza, si prega di leggere e seguire attentamente tutte le istruzioni prima del montaggio, dell'installazione e dell'uso di questo ventilatore da soffitto. Conservare le istruzioni per riferimenti futuri.

PRECAUZIONI DI SICUREZZA


1. Questo apparecchio può essere utilizzato da bambini a partire dagli 8 anni di età e da persone con ridotte capacità fisiche, sensoriali o mentali o con mancanza di esperienza e conoscenza, a condizione che abbiano ricevuto supervisione o istruzioni sull'uso dell'apparecchio in modo sicuro e che comprendano i pericoli connessi. La pulizia e la manutenzione non devono essere eseguite da bambini senza supervisione.
2. I bambini devono essere sorvegliati per evitare che giochino con l'apparecchio.
3. Un sezionatore onnipolare deve essere incorporato nel cablaggio fisso, in conformità con le norme di cablaggio locali.



4.  Non smaltire gli apparecchi elettrici come rifiuti urbani indifferenziati, ma utilizzare i centri di raccolta differenziata. Contattare l'amministrazione locale per informazioni sui sistemi di raccolta disponibili. Se gli apparecchi elettrici vengono smaltiti in discarica, le sostanze pericolose possono infiltrarsi nelle falde acquifere e nella catena alimentare, danneggiando la salute e il benessere dei cittadini.
5. La struttura su cui deve essere montato il ventilatore deve essere in grado di sostenere un peso di 23 kg.
6. Il ventilatore deve essere montato in modo che le pale si trovino a un'altezza superiore a 2,3 m dal pavimento in Europa.
7. Questo ventilatore è adatto per aree interne, all'aperto e costiere dove il ventilatore è completamente coperto con un minimo di 1 parete. Questo ventilatore non è impermeabile. Se installato in un'area all'aperto o costiera, il ventilatore da soffitto deve essere posizionato in un luogo protetto da acqua, vento e polvere. L'esposizione a questi elementi invalida la garanzia. Il montaggio del ventilatore in una situazione in cui è soggetto ad acqua o umidità è pericoloso e può aumentare il rischio di danni, lesioni o scosse elettriche e invalida la garanzia.
8. L'installazione elettrica deve essere eseguita da un elettricista qualificato.
9. **AVVERTENZA:** se si notano oscillazioni o movimenti insoliti, interrompere immediatamente l'uso del ventilatore a soffitto e contattare il produttore, il suo agente di assistenza o persone adeguatamente qualificate.
10. La sostituzione di parti del dispositivo del sistema di sospensione di sicurezza deve essere effettuata dal produttore, dal suo agente di assistenza o da persone adeguatamente qualificate.



11. I mezzi di fissaggio al soffitto, come ganci o altri dispositivi, devono essere fissati con una resistenza sufficiente a sopportare 4 volte il peso del ventilatore da soffitto; il montaggio del sistema di sospensione deve essere eseguito dal produttore, dal suo agente di assistenza o da persone adeguatamente qualificate.

12.  attenzione, rischio di scosse elettriche.

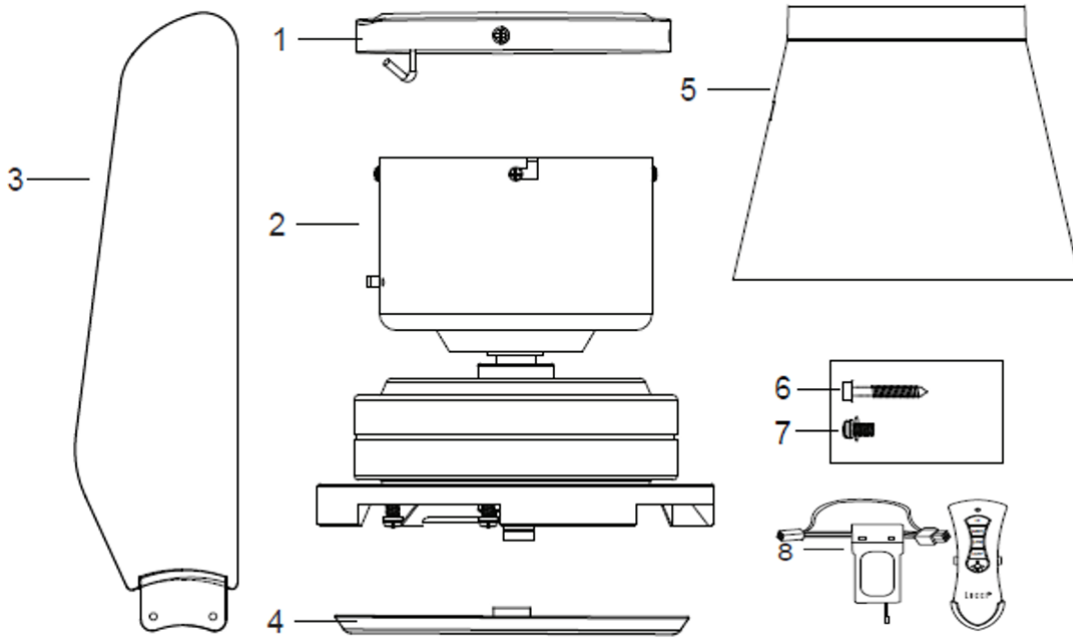
ELENCO PARTI

- Disimballare con cura il ventilatore da soffitto. Rimuovere tutte le parti e la ferramenta.
- Disporre tutti i componenti su una superficie liscia e assicurarsi che non vi siano componenti mancanti prima di assemblarli. Se mancano dei componenti, restituire il prodotto completo al luogo di acquisto per il controllo o la sostituzione.
- Verificare se il ventilatore a soffitto è stato danneggiato durante il trasporto. Non mettere in funzione/installare alcun prodotto che appaia in qualche modo danneggiato. Restituire il prodotto completo al luogo di acquisto per l'ispezione, la riparazione o la sostituzione.
- Esamine tutte le parti, dovrete avere il seguente elenco e la Fig.1:

Ventilatore con telecomando (senza kit luci) (SKU# 212999 E 213000)		Ventilatore con telecomando (con kit luce) (SKU# 213001 E 213002)	
1	Staffa di montaggio x 1	1	Staffa di montaggio x 1
2	Gruppo motore x 1	2	Gruppo motore x 1
3	Lame x 4	3	Lame x 4
4	Coperchio motore inferiore x 1	4	Kit luce LED x 1
5	Coperchio della carcassa del motore x 1	5	Coperchio della carcassa del motore x 1
6	Viti di montaggio x 4	6	Viti di montaggio x 4
7	Vite di ricambio per la pala del ventilatore x 1	7	Vite di ricambio per la pala del ventilatore x 1
8	Ricevitore e telecomando x 1 set	8	Ricevitore e telecomando x 1 set



Ventilatore con telecomando (senza kit luci) SKU# 212999 e 213000



Ventilatore con telecomando (con kit luce) SKU# 213001 e 213002

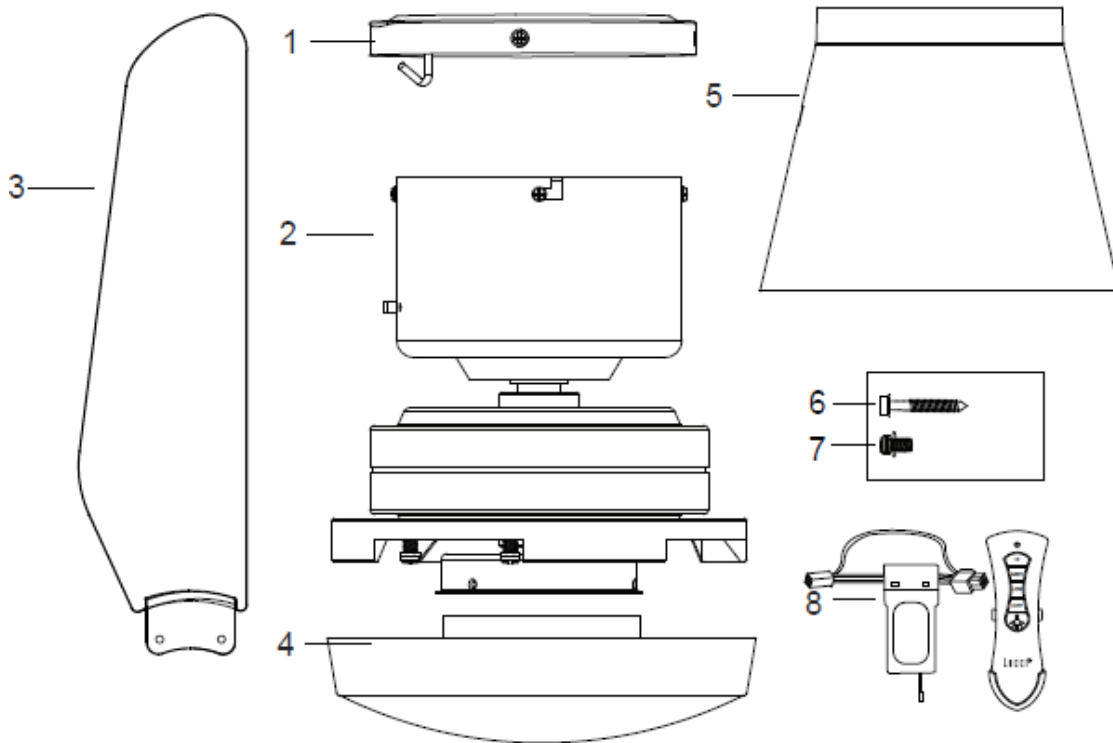


Fig. 1



This fan is suitable for indoor, alfresco and coastal areas where the fan is fully undercover with a minimum of 1 walls. This fan is not waterproof. When installed in an alfresco or coastal area, the ceiling fan must be positioned in a location protected from water, wind and dust. Exposure to these elements will void the warranty. Mounting the fan in a situation where it is subject to water or moisture is dangerous.

INSTALLAZIONE DELLA STAFFA DI MONTAGGIO

- Il ventilatore da soffitto deve essere installato in una posizione tale che le pale siano distanziate di 300 mm dalla punta della pala agli oggetti o alle pareti più vicine.
- Installare la staffa di sospensione al travetto del soffitto o a una struttura in grado di sopportare un carico di almeno 23 kg, con le 4 viti lunghe in dotazione. Assicurarsi che almeno 30 mm della vite siano infilati nel supporto. (Fig. 2)

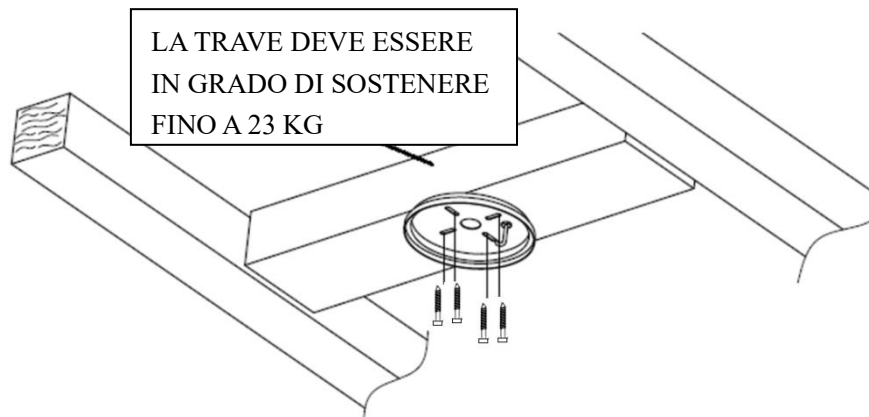


Fig. 2

NOTA: Le viti della staffa fornite sono destinate esclusivamente all'uso con strutture in legno. Per strutture diverse dal legno, si **DEVE** utilizzare il tipo di vite appropriato. Assicurarsi che le viti utilizzate siano adatte alla superficie di montaggio e all'ambiente circostante.

INSTALLAZIONE A SOFFITTO ANGOLARE

Questo sistema di sospensione del ventilatore **NON** supporta l'installazione a soffitto con angolo di un grado.

APPENDERE IL GRUPPO VENTILATORE-MOTORE

- Installare l'alloggiamento del motore (1) sul gruppo motore. (Fig. 3)
- Sollevare il gruppo ventilatore fino alla staffa di montaggio. Agganciare il gruppo ventilatore al gancio a J (2) della staffa di montaggio. (Fig. 4)
- Completare il cablaggio elettrico secondo la sezione "Schema elettrico" riportata di seguito.

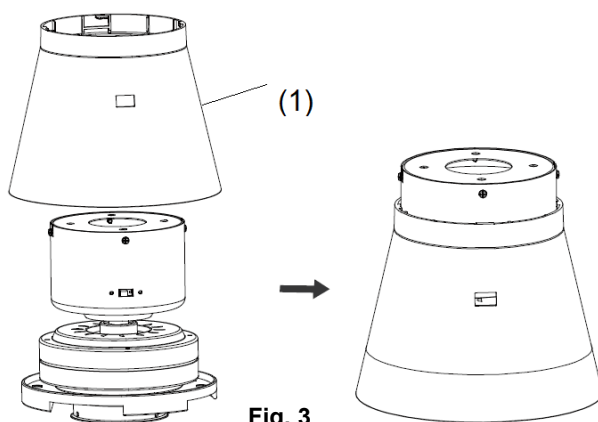


Fig. 3

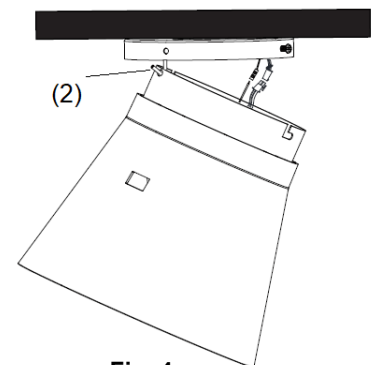


Fig. 4



CABLAGGIO ELETTRICO DEL VENTILATORE

NOTA: lo schema di cablaggio include il cablaggio del kit luce. Lo schema di cablaggio della luce e dell'interruttore viene omesso quando non si utilizza il kit luce con il ventilatore a soffitto.

MODELLI CON CONTROLLORE REMOTO SCHEMA DI CABLAGGIO (Fig. 5):

- Eseguire il collegamento dei fili L, N e Terra alla morsetteria della staffa di montaggio, come illustrato nel diagramma della Fig. 5.
- Collegare i connettori rapidi della staffa di montaggio (1) e del ricevitore remoto (2) e assicurarsi che si aggancino.
- Collegare i connettori rapidi del ricevitore remoto (3) e del ventilatore (4) e assicurarsi che si aggancino.
- Posizionare il ricevitore remoto nella cavità del tettuccio di sospensione del gruppo motore insieme agli altri cavi interni.

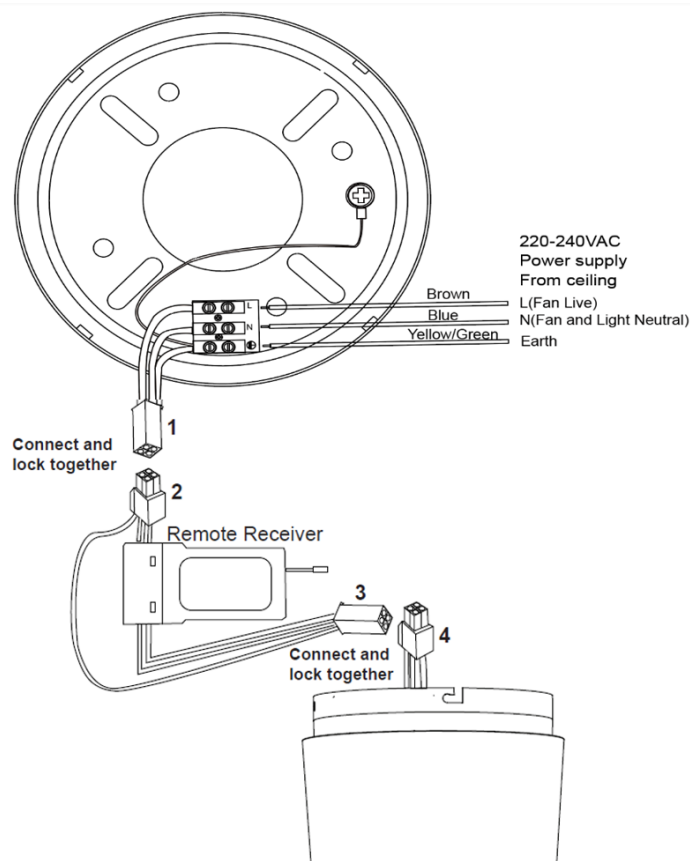


Fig. 5

220-240VAC Power supply from ceiling	220-240VAC Alimentazione dal soffitto
L (Fan Live)	L (fase ventilatore)
N (Fan and Light Neutral)	N (neutro fase e luce)
Earth	Terra
Brown	Marrone
Blue	Blu
Yellow/Green	Giallo/Verde
Connect and lock together	Collegare e bloccare insieme
Remote Receiver	Ricevitore del telecomando

This fan is suitable for indoor, alfresco and coastal areas where the fan is fully undercover with a minimum of 1 walls. This fan is not waterproof. When installed in an alfresco or coastal area, the ceiling fan must be positioned in a location protected from water, wind and dust. Exposure to these elements will void the warranty. Mounting the fan in a situation where it is subject to water or moisture is dangerous.

INSTALLARE IL GRUPPO VENTILATORE SULLA STAFFA DI MONTAGGIO

- Dopo aver completato il collegamento elettrico alla morsettiera della staffa di montaggio;
 - collegare il ricevitore remoto e il ventilatore a soffitto tramite il connettore rapido;
- Assicurarsi che il cablaggio di terra sia sicuro e corretto, eseguendo un test di continuità della messa a terra dal corpo metallico accessibile del ventilatore fino al terminale di terra della morsettiera sulla staffa di montaggio.

Installare il gruppo ventilatore sulla staffa di montaggio (Fig. 6).

- Sulla staffa di montaggio sono preinstallate 4 viti:
 - Allentare le due viti del tettuccio con rondella a stella (2) di mezzo filetto dalla staffa di montaggio. (Per la fessura a L sul tettuccio da montare).
 - Allentare le due viti del tettuccio (1) e rimuoverlo dalla staffa di montaggio.
- Sollevare il tettuccio sospeso del gruppo ventilatore fino alla staffa di montaggio e far passare la fessura a L del tettuccio sospeso attraverso le due viti del tettuccio con rondella a stella (2).
- Ruotare il tettuccio sospeso finché non si blocca nella parte finale della scanalatura a L, assicurandosi che la rondella a stella si trovi tra il tettuccio sospeso (3) e la testa della vite. Fissare il tutto stringendo le due viti del tettuccio con la rondella a stella (2).
- Fissare e stringere le viti del tettuccio (1) alla staffa di montaggio. Il tettuccio appeso (3) deve avere 4 viti (1) e (2) in totale. Evitare di danneggiare il cablaggio elettrico preparato in precedenza quando si appende il tettuccio.
- Infine, fissare la copertura del tettuccio (4) alla staffa di montaggio, fissandola spingendo i ganci della copertura del tettuccio nei fori della fessura del tettuccio sospeso e ruotandola in senso antiorario.

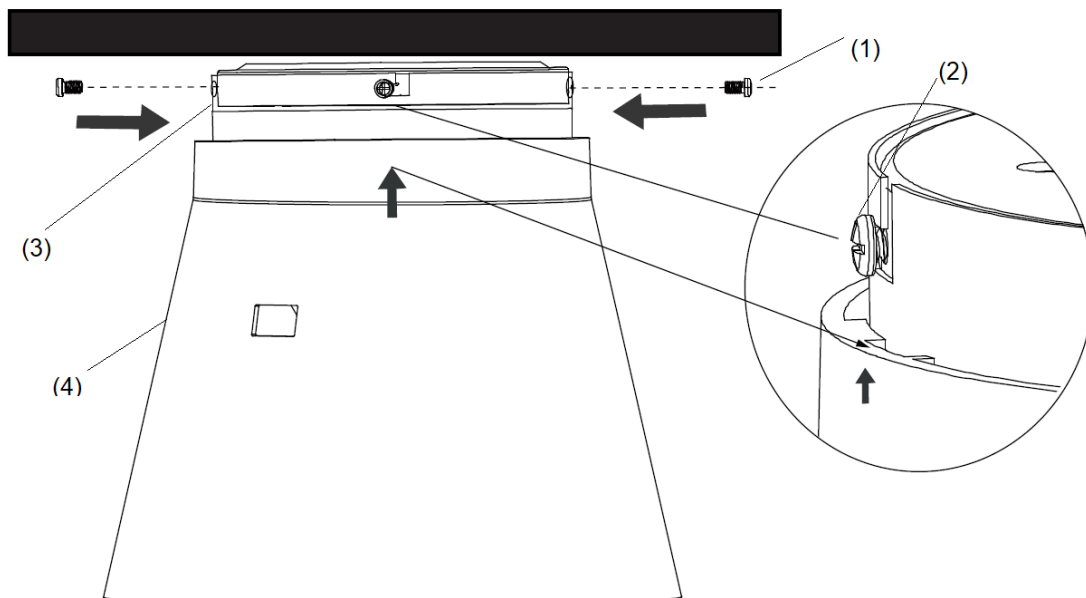


Fig. 6



INSTALLAZIONE DELLA PALA DEL VENTILATORE E DEL KIT LUCI**ATTACCO DELLA LAMA (Fig. 7)**

1. Prima di installare le pale, rimuovere le viti delle pale e le rondelle piatte dalla parte inferiore del motore del ventilatore.
2. Allineare i 2 fori sulla lama con i 2 fori sull'elemento rotante del gruppo motore del ventilatore e, utilizzando le 2 viti della lama al punto 1, fissare la lama al gruppo motore del ventilatore. Assicurarsi che tutte le viti siano serrate in modo uniforme per ridurre la possibilità di deformazioni o sbilanciamenti. Fare attenzione a non stringere troppo le viti per non danneggiare le lame.
3. Una volta completato, ripetere il processo sulle altre lame.

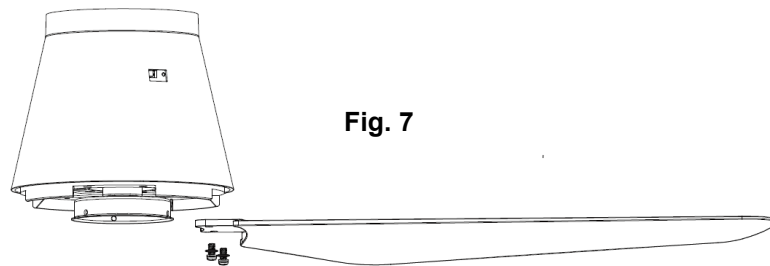


Fig. 7

INSTALLAZIONE DEL COPERCHIO INFERIORE (PER VENTILATORI SENZA LUCE Fig.8)

Fissare il coperchio inferiore del motore alla ventola ruotandolo in senso orario.

PER SKU# 212999 E 213000

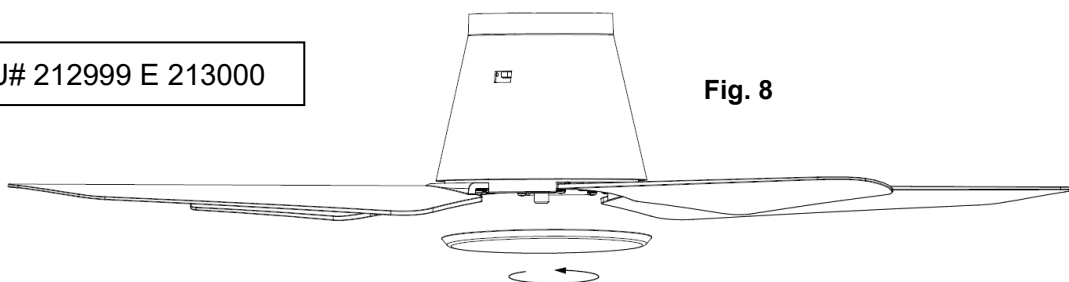


Fig. 8

INSTALLAZIONE DEL KIT LUCE LED (PER VENTILATORE CON LUCE Fig.9)

- Fissare il kit di luci LED alla base della lampada e collegare i fili al kit di luci LED tramite i connettori rapidi.
- Fissare il kit luci LED sulla base della lampada ruotando il corpo del kit luci LED in senso orario. Fare attenzione a non incrociare i fili, a non attorcigliarli e a non danneggiarli.

PER SKU# 213001 E 213002

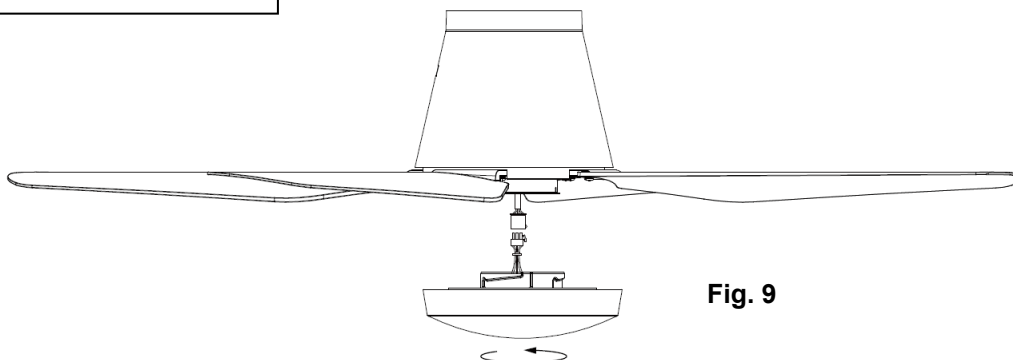


Fig. 9



UTILIZZO DEL VENTILATORE A SOFFITTO - TELECOMANDO

Il ventilatore da soffitto è controllato dal telecomando. Ci sono 4 pulsanti (HI, MED, LOW, OFF) per controllare la velocità del ventilatore e un pulsante per controllare l'accensione e lo spegnimento della luce. **Fig. 10**

Prima di utilizzare il telecomando, è necessario tenere presente quanto segue.

- Per il funzionamento del telecomando sono necessarie 2 batterie AAA da 1,5 V (formato). Rimuovere il coperchio del vano batterie dal retro del telecomando e inserire 2 batterie AAA. Assicurarsi che le polarità siano corrette come indicato nel vano batterie. **(Fig.11)** (Le batterie non sono incluse).
- Il telecomando (trasmettitore) e il ricevitore devono essere configurati in modo che la comunicazione tra loro sia accoppiata. A tal fine, l'interruttore DIP del ricevitore e del telecomando deve essere impostato sullo stesso valore. **(Fig. 12)**

Nota: Il gruppo di interruttori DIP ha 4 interruttori che possono essere impostati su 16 diverse combinazioni di codici di trasmissione. Questo è pratico quando c'è più di una coppia telecomando/ricevitore che opera localmente o nella stessa stanza.

Nota: per accedere agli interruttori DIP del ricevitore, rimuovere il coperchio dell'interruttore DIP.



Fig. 11 Vano batterie del telecomando Fig. 12 Interruttore DIP del ricevitore

Example DIP Switch Settings	Esempi di impostazione dei DIP switch
Receiver 1	Ricevitore 1
DIP Switches Set to 0111	DIP switch impostati su 0111
Receiver 2	Ricevitore 2
DIP Switches Set to 0100	DIP switch impostati su 0100
Transmitter 1	Trasmittitore 1
DIP Switches Set to 0111	DIP switch impostati su 0111
Transmitter 2	Trasmittitore 2
DIP Switches Set to 0100	DIP switch impostati su 0100

FUNZIONAMENTO DEL TELECOMANDO:

Prima di iniziare a usare il telecomando, leggere questa sezione e familiarizzare con i pulsanti e la loro funzione.

Indicatore LED

L'indicatore LED rosso sulla parte superiore del trasmettitore lampeggia quando i pulsanti sono attivi.

SUL TELECOMANDO

HI: premere il pulsante per impostare il funzionamento del ventilatore ad alta velocità.

MED: premere il pulsante per impostare il funzionamento del ventilatore a velocità media.

BASSO: Premere il pulsante per impostare il funzionamento del ventilatore a bassa velocità.


OFF: premere il pulsante per spegnere la ventola.



Fig. 10

LED indicator	Indicatore luminoso
Turn on the fan at high speed	Accensione del ventilatore ad alta velocità
Turn on the fan at medium speed	Accensione del ventilatore a velocità intermedia
Turn on the fan at low speed	Accensione del ventilatore a bassa velocità
Turn off the fan	Spegnimento del ventilatore
Turn on / off the light	Accensione/spegnimento della luce

CONTROLLO DELLA LUCE

: Premere il pulsante per accendere/spegnere la luce.

Il telecomando è dotato di funzione di memoria. Se il ventilatore o la luce vengono spenti dal sezionatore, il telecomando memorizza e ripristina l'ultimo stato alla successiva accensione.

Il kit di illuminazione a LED è dotato di una funzione dimmerabile in 3 fasi, controllata da un interruttore ON/OFF. Se si inserisce l'interruttore ON/OFF nell'apparecchio per 4 volte entro 5 secondi, il globo si accenderà nell'ordine seguente:

100% di luminosità → 40% di luminosità → 13% di luminosità → 100% di luminosità

Per tornare al 100% della luminosità in qualsiasi momento, spegnere l'apparecchio e poi, dopo 5 secondi, accenderlo.

INSTALLAZIONE DEL SUPPORTO DEL TELECOMANDO (Fig. 13)

1. Individuare una parete o una superficie adatta per fissare il supporto a parete del telecomando.
2. Rimuovere il coperchio a vite e installare il supporto utilizzando le 2 viti e reinstallare il coperchio a vite. (Fig. 13a).
3. Far scorrere il telecomando nel supporto.

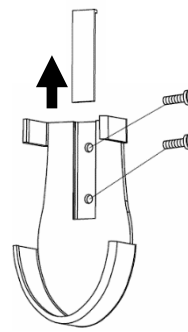


Fig. 13a

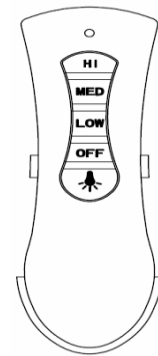


Fig. 13b

Interruttore di inversione (Fig. 14)

Il ventilatore da soffitto può funzionare in modalità estiva o invernale.

Modalità ESTATE: L'interruttore di inversione deve essere in posizione ESTATE per far ruotare il ventilatore in senso antiorario. Il flusso d'aria sarà diretto verso il basso, per il raffreddamento in estate.

Modalità INVERNO: L'interruttore di inversione deve essere in posizione WINTER per far ruotare il ventilatore in senso orario. Il flusso d'aria sarà diretto verso l'alto, favorendo la circolazione dell'aria calda, per risparmiare energia in inverno.

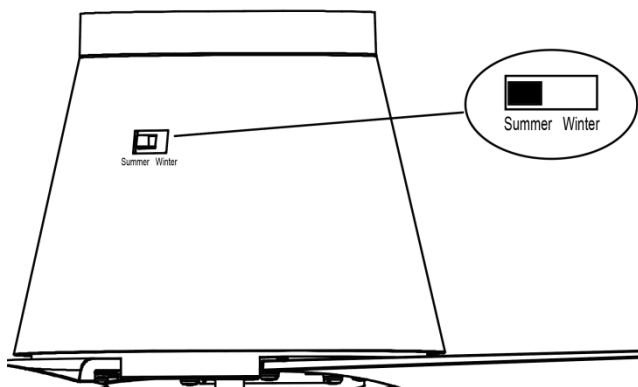
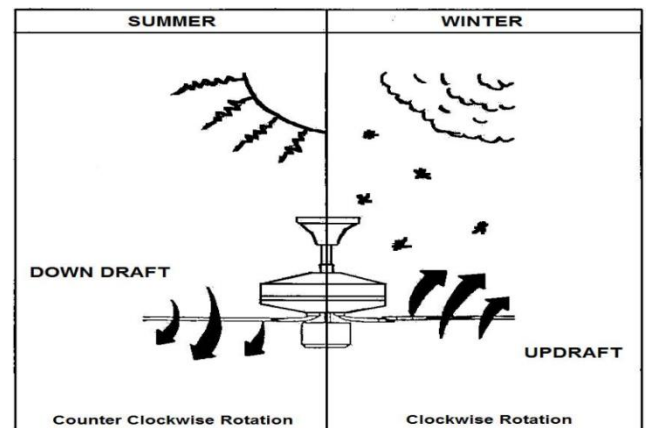


Fig. 14



SUMMER	SUMMER
WINTER	WINTER
DOWN DRAFT	FLUSSO D'ARIA VERSO IL BASSO
UPDRAFT	FLUSSO D'ARIA VERSO L'ALTO
Counter Clockwise Rotation	Rotazione in senso antiorario
Clockwise Rotation	Rotazione in senso orario

DOPO L'INSTALLAZIONE

PER RIDURRE L'OSCILLAZIONE DEL VENTILATORE: Verificare che tutte le viti che fissano la staffa di montaggio e le pale siano ben salde.

KIT DI BILANCIAMENTO: viene fornito un kit di bilanciamento per bilanciare il ventilatore a soffitto al momento dell'installazione iniziale. Consultare le istruzioni per l'uso del kit di bilanciamento. Il kit di bilanciamento può essere utilizzato per facilitare il ribilanciamento nel caso in cui il ventilatore a soffitto si sbilanci di nuovo. Dopo l'installazione, conservare il kit di bilanciamento per utilizzarlo in futuro, se necessario.

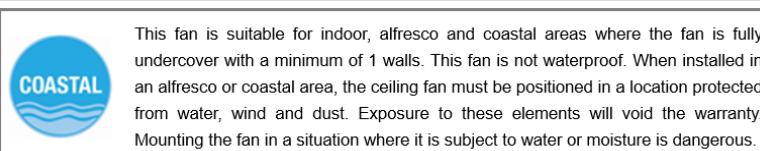
CURA E PULIZIA

NOTA: spegnere sempre l'interruttore di rete prima di eseguire qualsiasi intervento di manutenzione o di pulizia del ventilatore.

- L'unica manutenzione necessaria è la pulizia periodica del ventilatore da soffitto ogni 6 mesi. Utilizzare una spazzola morbida o un panno privo di lanugine per evitare di graffiare la vernice. In questo caso, spegnere l'alimentazione elettrica.
- Non immergere o immergere il ventilatore a soffitto nell'acqua o in altri liquidi. Potrebbe danneggiare il motore o le pale e creare la possibilità di una scossa elettrica.
- Assicurarsi che il raccordo non venga a contatto con solventi o detergenti organici.
- Per pulire la pala della ventola, utilizzare solo un panno umido e pulito, senza solventi o detergenti organici.
- Il motore è dotato di un cuscinetto a sfera a lubrificazione permanente, per cui non è necessario oliarlo.

PRECAUZIONI DI SICUREZZA PER LA BATTERIA

- **AVVERTENZA** - Tenere le batterie nuove e usate lontano dalla portata dei bambini.
- **ATTENZIONE** - Non ingerire la batteria: rischio di ustioni chimiche.
- Utilizzare sempre 2 batterie AAA con questo telecomando per ventilatori da soffitto.
- Assicurarsi che le batterie siano inserite con la corretta polarità.
- Per evitare un funzionamento errato durante l'inserimento o la sostituzione delle batterie, questo ventilatore da soffitto deve essere scollegato dalla rete di alimentazione.
- le batterie non ricaricabili non devono essere ricaricate;
- Non è consentito mescolare tipi diversi di batterie o batterie nuove e usate;
- Rimuovere le batterie dal prodotto quando non viene utilizzato per lunghi periodi di tempo.
- Le batterie devono essere rimosse dal trasmettitore remoto prima di essere gettate.
- Smaltire immediatamente e in modo sicuro le batterie esaurite (in modo che non possano essere recuperate dai bambini). Le batterie possono ancora essere pericolose. Contattare il comune di residenza per smaltire le batterie in modo sicuro.
- Controllare regolarmente il prodotto e verificare che il coperchio del vano batterie sia fissato correttamente. Se il vano batterie non si chiude bene, smettere di usare il prodotto e tenerlo lontano dalla portata dei bambini.
- Se si pensa che le batterie possano essere state ingerite o inserite in una parte del corpo, rivolgersi immediatamente a un medico. Se si sospetta che il bambino abbia inghiottito o inserito una batteria



a bottone, chiamare il numero di emergenza del proprio Paese, se ci si trova in Europa, per ottenere una consulenza rapida ed esperta.

- Perdite dalla batteria: La batteria contiene sostanze chimiche e deve essere trattata come qualsiasi altra sostanza chimica. Prendete le dovute precauzioni quando maneggiate le sostanze chimiche della batteria fuoriuscite. Le sostanze chimiche della batteria non devono essere avvicinate agli occhi o ingerite. Se vi trovate in Europa, chiamate il numero di emergenza del vostro paese per ottenere una consulenza rapida e competente.

INFORMAZIONI TECNICHE		
Ventilatore	Ventilatore 48" - Aria CTC senza luce	Ventilatore da 48" - Aria CTC con luce
SKU#	SKU# 212999, 213000	SKU# 213001, 213002
Tensione nominale	220-240V~ 50Hz	
Potenza nominale (motore)	50W	
Fonte di illuminazione	N/D	Questo prodotto contiene una sorgente luminosa di classe di efficienza energetica E
Potenza nominale (kit luce)	N/D	18W, 3000K, dimmerabile (dimmerazione a 3 livelli)
Peso	5,6 kg	
Dimensioni del baldacchino	H:95mm Dia:130mm	

INFORMAZIONI SULLA GARANZIA

IN EUROPA - Se siete clienti europei, contattate il punto vendita in cui è stato acquistato il ventilatore per richiedere l'assistenza in garanzia.




NL**BEDANKT VOOR UW AANKOOP**

Bedankt voor de aankoop van dit kwaliteitsproduct van Lucci. Om de juiste werking en veiligheid te garanderen, dient u alle instructies zorgvuldig te lezen en op te volgen voordat u deze plafondventilator monteert, installeert en gebruikt. Bewaar de instructies voor toekomstig gebruik.

VEILIGHEIDSMATREGELEN


1. Dit apparaat kan worden gebruikt door kinderen vanaf 8 jaar en personen met verminderde fysieke, zintuiglijke of mentale capaciteiten of gebrek aan ervaring en kennis, als ze onder toezicht staan of instructies hebben gekregen over het veilige gebruik van het apparaat en de gevaren begrijpen. Reiniging en onderhoud mogen niet worden uitgevoerd door kinderen zonder toezicht.
2. Kinderen moeten onder toezicht staan om ervoor te zorgen dat ze niet met het apparaat spelen.
3. Een alpolige uitschakelaar moet worden opgenomen in de vaste bedrading, in overeenstemming met de plaatselijke bedradingsvoorschriften.



4.  Gooi elektrische apparaten niet weg als ongesorteerd huishoudelijk afval, maar gebruik gescheiden inzamelingsvoorzieningen. Neem contact op met uw gemeente voor informatie over de beschikbare inzamelingsystemen. Als elektrische apparaten op vuilnisbelten of stortplaatsen terechtkomen, kunnen gevaarlijke stoffen in het grondwater lekken en in de voedselketen terechtkomen, wat schadelijk is voor uw gezondheid en welzijn.
5. De structuur waarop de ventilator wordt gemonteerd, moet een gewicht van 23 kg kunnen dragen.
6. De ventilator moet zo worden gemonteerd dat de bladen zich meer dan 2,3 m boven de vloer bevinden in Europa.
7. Deze ventilator is geschikt voor binnen-, buiten- en kustgebieden waar de ventilator volledig overdekt is met minimaal 1 muur. Deze ventilator is niet waterdicht. Als de ventilator wordt geïnstalleerd in een openluchtruimte of aan de kust, moet hij worden geplaatst op een plaats die beschermd is tegen water, wind en stof. Blootstelling aan deze elementen doet de garantie vervallen. Het monteren van de ventilator in een situatie waar deze wordt blootgesteld aan water of vocht is gevaarlijk en kan het risico op schade, letsel of elektrische schokken verhogen en maakt de garantie ongeldig.
8. De elektrische installatie moet worden uitgevoerd door een bevoegde elektricien.
9. **WAARSCHUWING:** Als een ongewone wiebelende of oscillerende beweging wordt waargenomen, stop dan onmiddellijk met het gebruik van de plafondventilator en neem contact op met de fabrikant, diens serviceagent of geschikt gekwalificeerd personeel.
10. De vervanging van onderdelen van het veersysteem moet worden uitgevoerd door de fabrikant, zijn serviceagent of voldoende gekwalificeerde personen.
11. De bevestigingsmiddelen voor bevestiging aan het plafond zoals haken of andere voorzieningen moeten worden bevestigd met een sterkte die voldoende is om 4 keer het gewicht van de



plafondventilator te weerstaan; dat de montage van het ophangstelsel wordt uitgevoerd door de fabrikant, zijn serviceagent of voldoende gekwalificeerde personen.

12.  let op, risico op elektrische schokken.

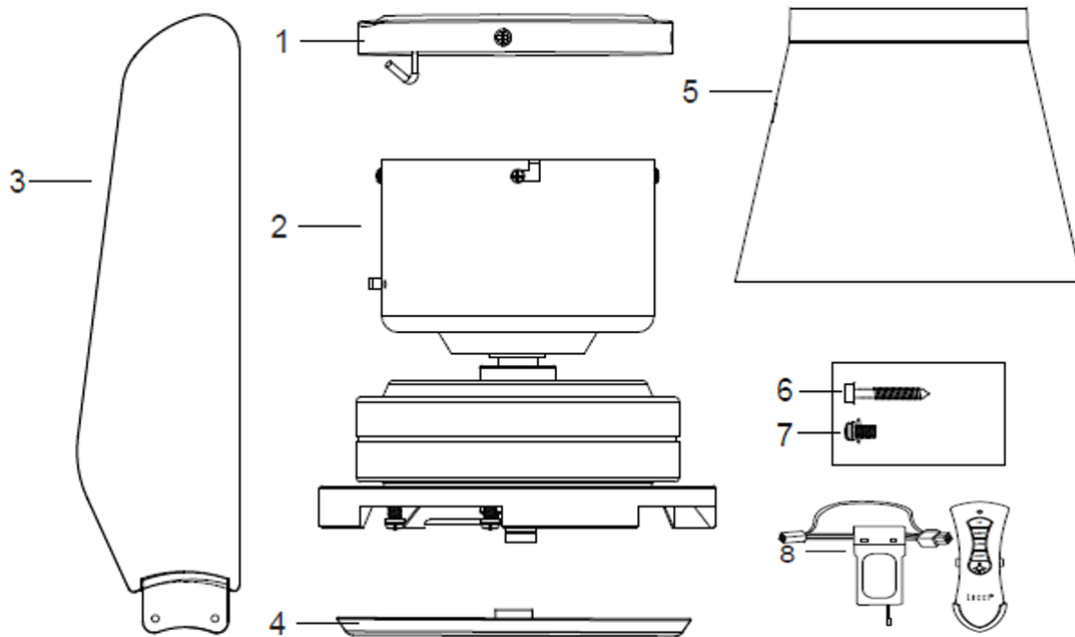
ONDERDELENLIJST

- Pak je plafondventilator voorzichtig uit. Verwijder alle onderdelen en hardware.
- Leg alle onderdelen op een glad oppervlak en controleer of er geen onderdelen ontbreken voordat u ze in elkaar zet. Als er onderdelen ontbreken, retourneer het volledige product dan naar de plaats van aankoop voor inspectie of vervanging.
- Controleer of de plafondventilator tijdens het transport is beschadigd. Gebruik/installeer geen producten die beschadigd lijken te zijn. Breng het volledige product terug naar de plaats van aankoop voor inspectie, reparatie of vervanging.
- Bestudeer alle onderdelen en je zou de volgende lijst en Fig.1 moeten hebben:

Ventilator met afstandsbediening (geen verlichtingskit) (SKU# 212999 & 213000)		Ventilator met afstandsbediening (met verlichtingsset) (SKU# 213001 & 213002)	
1	Montagebeugel x 1	1	Montagebeugel x 1
2	Montage motor x 1	2	Montage motor x 1
3	Messen x 4	3	Messen x 4
4	Motorkap onderzijde x 1	4	LED-lichtset x 1
5	Deksel motorbehuizing x 1	5	Deksel motorbehuizing x 1
6	Montageschroeven x 4	6	Montageschroeven x 4
7	Reserveschroef voor ventilatorblad x 1	7	Reserveschroef voor ventilatorblad x 1
8	Afstandsbediening en ontvanger x 1 set	8	Ontvanger en afstandsbediening x 1 set



Ventilator met afstandsbediening (geen verlichtingsset) SKU# 212999 & 213000



Ventilator met afstandsbediening (met verlichtingsset) SKU# 213001 & 213002

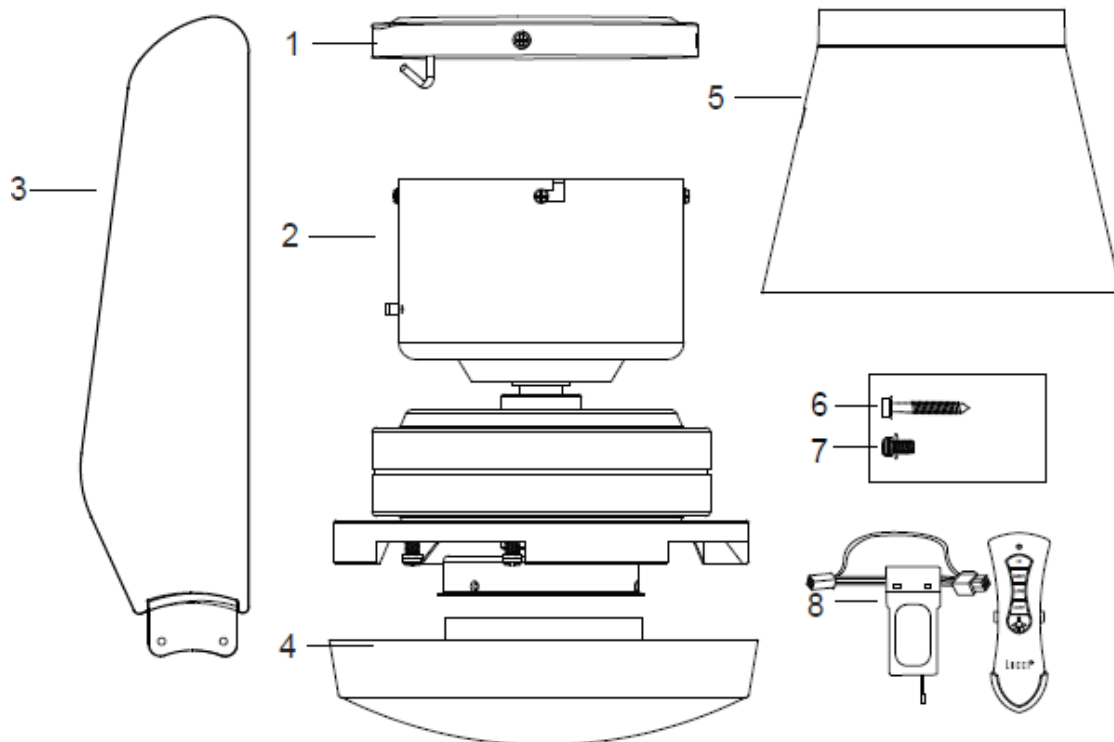


Fig. 1

DE MONTAGEBEUGEL INSTALLEREN

- De plafondventilator moet zo worden geïnstalleerd dat de bladen een afstand van 300 mm hebben vanaf het uiteinde van het blad tot de dichtstbijzijnde objecten of muren.
- Installeer de ophangbeugel aan de plafondbalk of -constructie die minstens 23 kg kan dragen, met de 4 meegeleverde lange schroeven. Zorg ervoor dat ten minste 30 mm van de schroef in de steun zit. (Fig. 2)

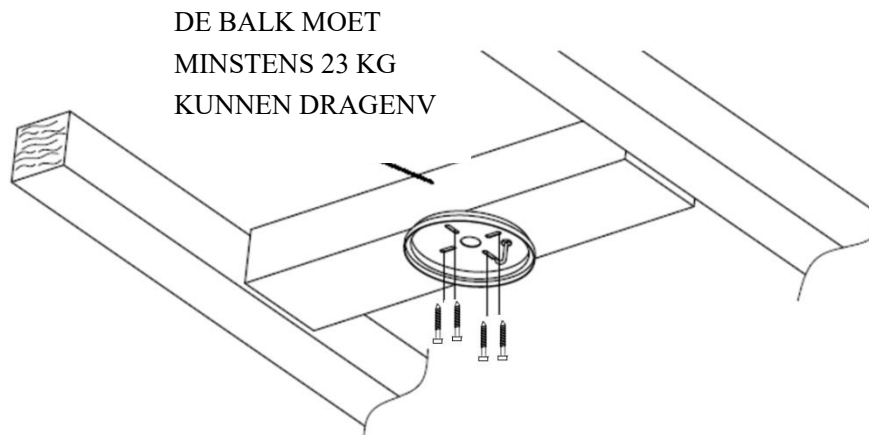


Fig. 2

OPMERKING: De meegeleverde beugelschroeven zijn alleen voor gebruik met houten constructies. Voor andere constructies dan hout **MOET** het juiste schroeftype worden gebruikt. Zorg ervoor dat de gebruikte schroeven geschikt zijn voor het montageoppervlak en de omgeving.

INSTALLATIE SCHUIN PLAFOND

Dit ophangstelsel voor ventilatoren ondersteunt **GEEN** plafondinstallatie onder een hoek van een graad.

VENTILATOR AAN MOTOR OPHANGEN

- Monteer de motorbehuizing (1) op de motor. (Afb.3)
- Til de ventilator omhoog naar de montagebeugel. Hang de ventilator aan de J-haak (2) van de montagebeugel. (Afb.4)
- Voltooi de elektrische bedrading volgens het hoofdstuk 'ELEKTRISCH AANSLUITSCHEMA' hieronder.

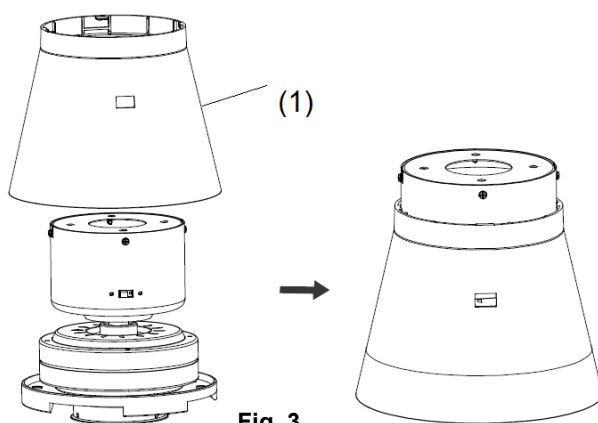


Fig. 3

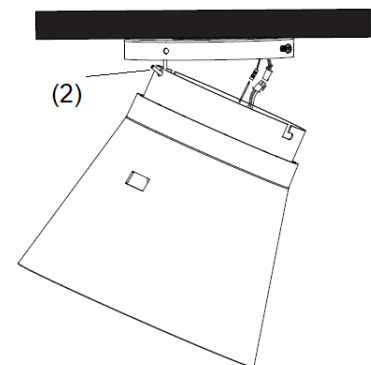


Fig. 4



ELEKTRISCHE BEDRADING VAN DE VENTILATOR

OPMERKING: Het bedradingsschema is inclusief de bedrading van de verlichtingsset. Het bedradingsschema van het licht en de schakelaar worden weggelaten als er geen verlichtingskit wordt gebruikt met de plafondventilator.

MODELLEN MET AFSTANDBEDIENING DIAGRAM (Fig.5):

- Sluit de draden L, N en Aarde aan op het klemmenblok van de montagebeugel volgens het onderstaande schema in Fig. 5.
- Steek de snelkoppelingen van de montagebeugel (1) en van de afstandsontvanger (2) in elkaar en zorg ervoor dat ze vergrendelen.
- Sluit de snelkoppelingen van de ontvanger op afstand (3) en van de ventilator (4) op elkaar aan en zorg dat ze vergrendelen.
- Plaats de afstandsbedieningsontvanger in de hangende luifelholte van de motor samen met de andere interne bedrading.

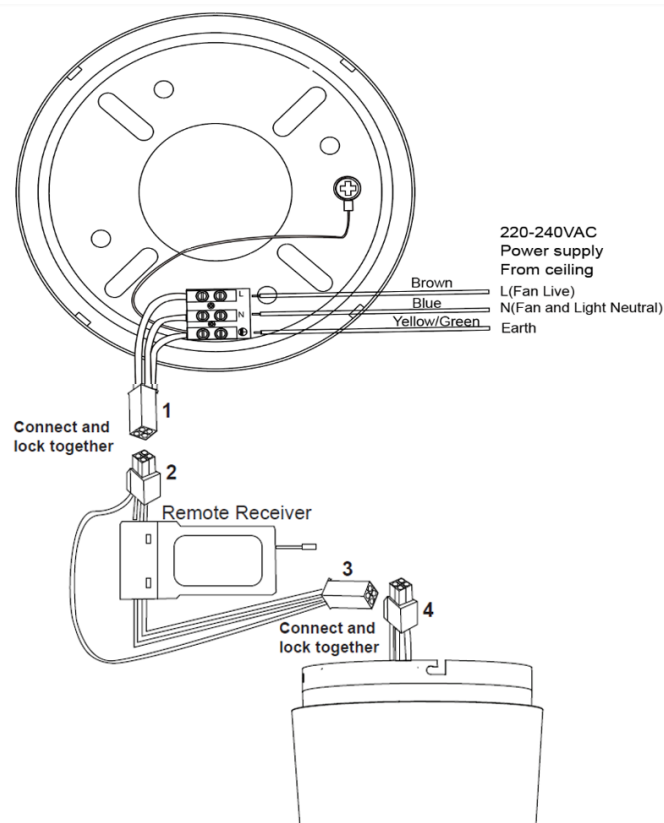


Fig. 5

220-240VAC Power supply from ceiling	220-240VAC Stroomvoorziening via plafond
L (Fan Live)	L (Ventilator onder stroom)
N (Fan and Light Neutral)	N (Ventilator en licht neutraal)
Earth	Aarding
Brown	Bruin
Blue	Blauw
Yellow/Green	Geel/Groen
Connect and lock together	Verbinden en vergrendelen
Remote Receiver	Afstandsbedieningsontvanger



INSTALLEER DE VENTILATORCONSTRUCTIE OP DE MONTAGEBEUGEL

- Na het voltooiën van de elektrische aansluiting op het klemmenblok van de montagebeugel;
- Sluit de ontvanger van de afstandsbediening en de plafondventilator aan via de snelkoppeling;
- Controleer of de aardingsbedrading veilig en correct is door een continuïteitstest van de aarding uit te voeren van het toegankelijke metalen ventilatorhuis terug naar de aardklem op het klemmenblok op de montagebeugel.

Installeer de ventilatoreenheid op de montagebeugel (Afb.6)

- Er zijn 4 schroeven vooraf geïnstalleerd op de montagebeugel:
 - Draai twee luifelschroeven met sterring (2) met een halve schroefdraad los van de montagebeugel. (Voor L-vormige sleuf op de te monteren kap).
 - Draai twee kapschroeven (1) los en verwijder ze van de montagebeugel.
- Til de hangende kap van de ventilatoreenheid omhoog naar de montagebeugel en laat de L-vormige sleuf op de hangende kap door de twee kapschroeven met sterring (2) gaan.
- Draai de hangende kap tot hij vastklikt aan het eind van de L-vormige sleuf, zorg ervoor dat de sterring tussen de hangende kap (3) en de schroefkop zit. Zet het vast door de twee luifelschroeven met de sterring (2) vast te draaien.
- Bevestig en draai de schroeven (1) van de kap vast aan de montagebeugel. De hangende kap (3) heeft in totaal 4 schroeven (1) & (2). Voorkom beschadiging van de elektrische bedrading die eerder is voorbereid bij het ophangen van de kap.
- Bevestig ten slotte de luifelafdekking (4) aan de bevestigingsbeugel, zet hem vast door de haken van de luifelafdekking in de sleufgaten van de hangende luifel te duwen en tegen de klok in te draaien.

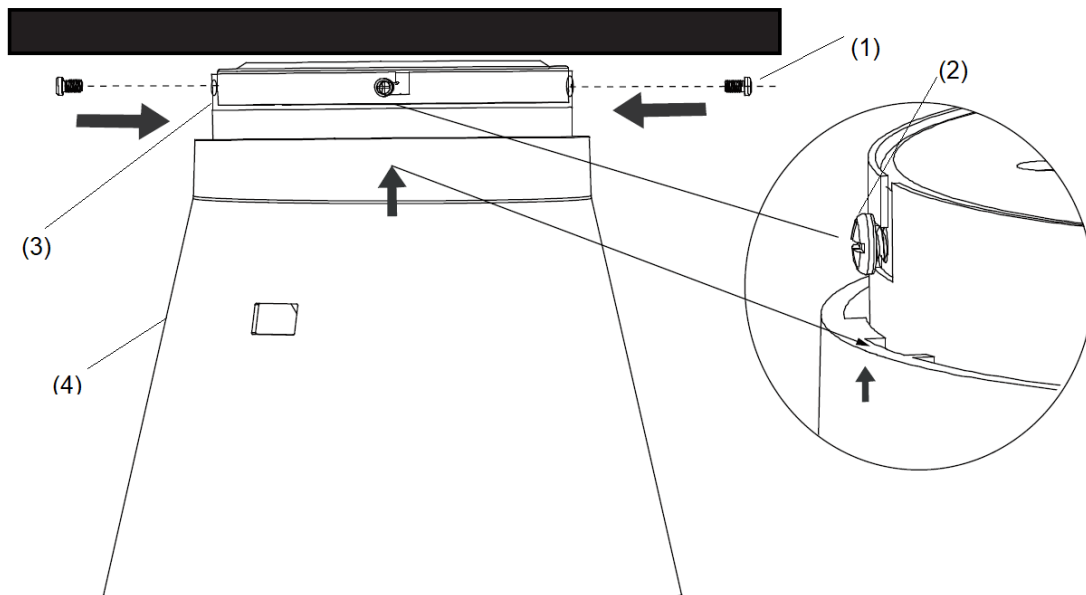


Fig. 6



HET VENTILATORBLAD EN DE VERLICHTINGSSET INSTALLEREN**mesbevestiging (Fig.7)**

1. Verwijder de schroeven en vlakke sluitringen van de onderkant van de ventilatormotor voordat u de bladen installeert.
2. Lijn de 2 gaten op het blad uit met de 2 gaten op het draaiende deel van de ventilatormotor en gebruik de 2 bladschroeven uit stap 1 om het blad vast te zetten op de ventilatormotor. Zorg ervoor dat alle schroeven gelijkmatig zijn aangedraaid om de kans op kromtrekken of uit balans raken te verkleinen. Draai de schroeven niet te vast aan, want dit kan de bladen beschadigen.
3. Herhaal dit proces voor de resterende bladen.

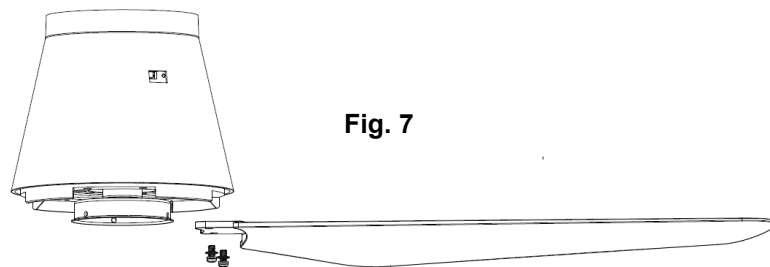


Fig. 7

DE ONDERSTE KAP PLAATSEN (VOOR VENTILATOR ZONDER LICHT Fig.8)

Bevestig het onderste motordeksel aan de ventilator door het met de klok mee te draaien.

VOOR SKU# 212999 & 213000

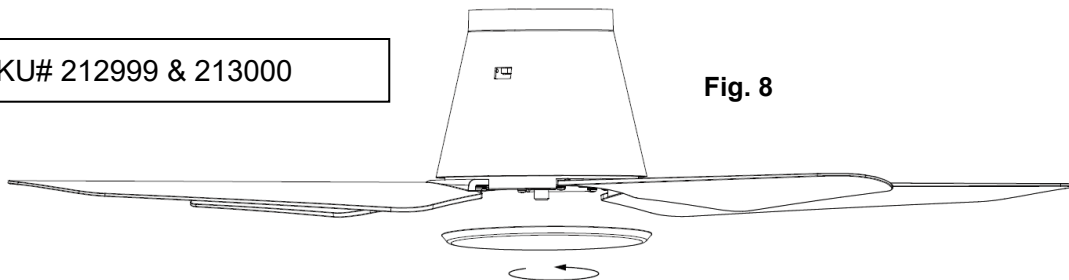


Fig. 8

DE LED-LICHT-SET INSTALLEREN (VOOR VENTILATOR MET LICHT Fig.9)

- Bevestig de LED-lichtkit aan de lampvoet en sluit de draden aan op de LED-lichtkit via de snelconnectoren.
- Zet de LED-lichtset vast op de lampvoet door de behuizing van de LED-lichtset rechtsom te draaien. Zorg ervoor dat u de draden niet kruist of verdraait en beschadigt.

VOOR SKU# 213001 & 213002

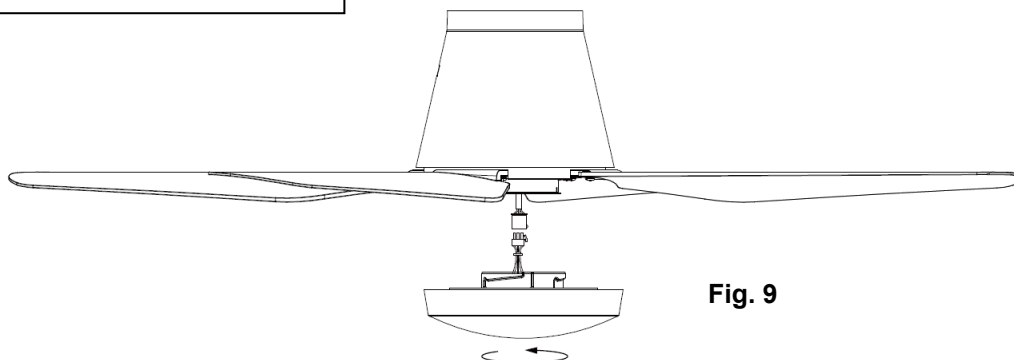


Fig. 9



UW PLAFONDVENTILATOR GEBRUIKEN - AFSTANDBEDIENING

Je plafondventilator wordt bediend met de afstandsbediening. Er zijn 4 knoppen (HI, MED, LOW, OFF) om de ventilatorsnelheid te regelen en één knop om het licht aan/uit te zetten. **Afb. 10**

Voordat u de afstandsbediening gebruikt, moet u rekening houden met het volgende.

- 2 x AAA 1,5V (formaat) batterijen zijn nodig om de afstandsbediening te gebruiken. Verwijder het batterijklepje aan de achterkant van de afstandsbediening en plaats 2 x AAA batterijen. Zorg ervoor dat de polariteiten correct zijn zoals aangegeven in het batterijklepje. **(Fig.11)** (Batterijen niet meegeleverd.)
- De afstandsbediening (zender) en ontvanger moeten zo worden geconfigureerd dat de communicatie tussen elkaar wordt gekoppeld. Dit wordt bereikt door de DIP-schakelaar op de ontvanger en de afstandsbediening op dezelfde stand te zetten. **(Afb. 12)**

Opmerking: De DIP-schakelaars hebben 4 schakelaars waarmee je 16 verschillende zendcodecombinaties kunt instellen. Dit is praktisch als er meer dan 1 afstands/ontvangerpaar lokaal of in dezelfde kamer werkt.

Opmerking: Om toegang te krijgen tot de DIP-schakelaars van de ontvanger, verwijdert u het deksel van de DIP-schakelaars.



Fig. 11 Batterijklepje afstandsbediening

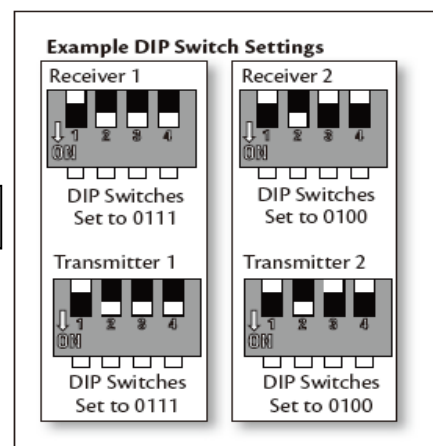


Fig. 12 DIP-schakelaar ontvanger

Example DIP Switch Settings	Voorbeeld van DIP-schakelaar instellingen
Receiver 1	Ontvanger 1
DIP Switches Set to 0111	DIP-schakelaars ingesteld op 0111
Receiver 2	Ontvanger 2
DIP Switches Set to 0100	DIP-schakelaars ingesteld op 0100
Transmitter 1	Zender 1
DIP Switches Set to 0111	DIP-schakelaars ingesteld op 0111
Transmitter 2	Zender 2
DIP Switches Set to 0100	DIP-schakelaars ingesteld op 0100

DE AFSTANDBEDIENING TE BEDIENEN:

Neem de tijd om dit hoofdstuk door te lezen voordat u de afstandsbediening gaat gebruiken en raak vertrouwd met de knoppen en de functie van elke knop.

LED-indicator

De rode LED-indicator op de bovenkant van de zender knippert wanneer de knoppen actief zijn.

KNOPPEN OP DE AFSTANDBEDIENING

HI: Druk op de knop om de ventilator op hoge snelheid te laten draaien.

MED: Druk op de knop om de ventilator in te stellen op gemiddelde snelheid.

LAAG: Druk op de knop om de ventilator op lage snelheid te laten draaien.


OFF: Druk op de knop om de ventilator uit te schakelen.



Fig. 10

LED indicator	LED-controlelampje
Turn on the fan at high speed	De ventilator op hoge snelheid inschakelen
Turn on the fan at medium speed	De ventilator op medium snelheid inschakelen
Turn on the fan at low speed	De ventilator op lage snelheid inschakelen
Turn off the fan	De ventilator uitschakelen
Turn on / off the light	Het licht in-/uitschakelen

LICHT REGELEN

: Druk op de knop om het licht AAN/UIT te zetten.

De afstandsbediening heeft een geheugenfunctie. Als de ventilator of het licht wordt uitgeschakeld door de werkschakelaar, wordt de laatste status opgeslagen en hersteld wanneer deze de volgende keer wordt ingeschakeld.

De LED Light Kit heeft een 3-staps dimfunctie die wordt geregeld door een AAN/UIT-schakelaar. Als u binnen 5 seconden 4 keer met de AAN/UIT-schakelaar op het armatuur drukt, gaat de bol in onderstaande volgorde branden:

100% helderheid → 40% helderheid → 13% helderheid → 100% helderheid

Om op elk moment terug te schakelen naar 100% helderheid, schakelt u de armatuur UIT en na 5 seconden schakelt u de armatuur weer AAN.

installatie van de houder voor de afstandsbediening (fig. 13)

1. Zoek een geschikte muur of oppervlak om de wandhouder voor de afstandsbediening te bevestigen.
2. Verwijder het schroefdeksel en installeer de houder met behulp van de 2 schroeven en installeer het schroefdeksel opnieuw. (Afb. 13a).
3. Schuif de afstandsbediening in de houder.

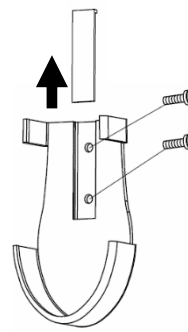


Fig. 13a

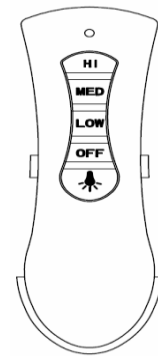


Fig. 13b

omkeerschakelaar (fig. 14)

Je plafondventilator kan in zomer- of wintermodus werken.

ZOMER-modus: De omkeerschakelaar moet in de stand ZOMER staan om de ventilator tegen de wijzers van de klok in te laten draaien. De luchtstroom wordt naar beneden gericht, voor koeling in de zomer.

WINTERMODUS: De omkeerschakelaar moet in de stand WINTER staan om de ventilator met de klok mee te laten draaien. De luchtstroom wordt naar boven gericht om te helpen bij de circulatie van warme lucht, voor energiebesparing in de winter.

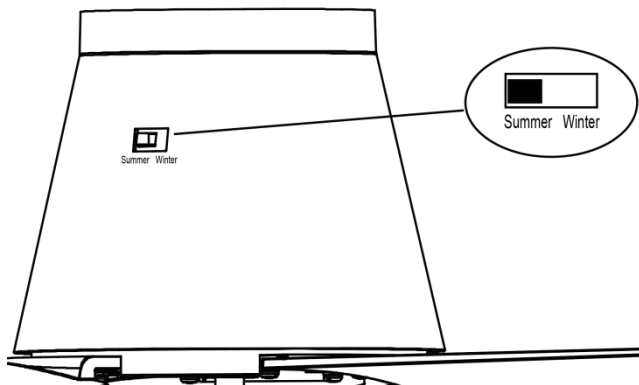
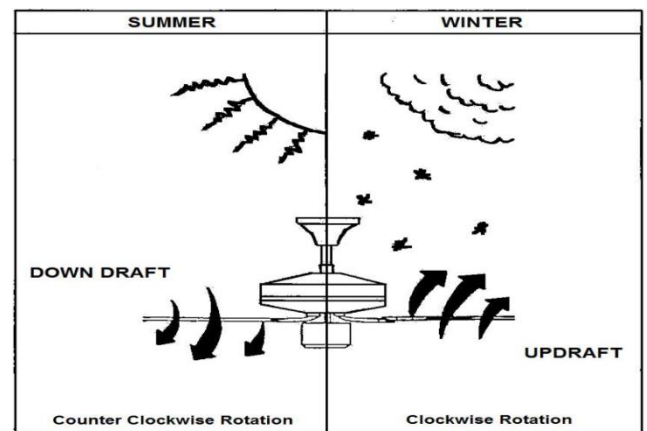


Fig. 14



SUMMER	SUMMER
WINTER	WINTER
DOWN DRAFT	NEERWAARTSE LUCHTSTROOM
UPDRAFT	OPWAARTSE LUCHTSTROOM
Counter Clockwise Rotation	Tegen de klok in draaien
Clockwise Rotation	Met de klok mee draaien



NA INSTALLATIE

OM HET WIEBELEN VAN DE VENTILATOR TE VERMINDEREN: Controleer of alle schroeven waarmee de montagebeugel en de bladen zijn bevestigd, goed vastzitten.

Balanceringsset: Er wordt een balanceringsset meegeleverd om de plafondventilator bij de eerste installatie in balans te brengen. Raadpleeg de instructies voor het gebruik van de balanceerset. De balanceerset kan worden gebruikt om te helpen bij het opnieuw uitbalanceren als de plafondventilator weer uit balans raakt. Bewaar uw balanceerset na installatie voor toekomstig gebruik indien nodig.

ONDERHOUD EN REINIGING

OPMERKING: Schakel altijd de stroom uit met de hoofdschakelaar voordat u onderhoud uitvoert of uw ventilator probeert schoon te maken.

- Om de 6 maanden is een periodieke reiniging van je plafondventilator het enige onderhoud dat nodig is. Gebruik een zachte borstel of pluivrije doek om krassen op de laklaag te voorkomen. Schakel de elektriciteit uit wanneer u dit doet.
- Dompel uw plafondventilator niet onder in water of andere vloeistoffen. Dit kan de motor of de bladen beschadigen en een elektrische schok veroorzaken.
- Zorg dat de fitting niet in contact komt met organische oplosmiddelen of reinigingsmiddelen.
- Veeg het ventilatorblad alleen schoon met een vochtige schone doek zonder organische oplosmiddelen of reinigingsmiddelen.
- De motor heeft een permanent gesmeerd kogellager, dus olie is niet nodig.

VEILIGHEIDSMATREGELEN VOOR DE BATTERIJ

- **WAARSCHUWING** - Houd nieuwe en gebruikte batterijen uit de buurt van kinderen.
- **LET OP** - Batterij niet inslikken - Gevaar voor chemische brandwonden.
- Gebruik altijd 2 x AAA-batterijen voor deze afstandsbediening voor plafondventilatoren.
- Zorg ervoor dat de batterijen met de juiste polariteit zijn geplaatst.
- Om valse werking te voorkomen tijdens het plaatsen of vervangen van de batterij, moet deze plafondventilator worden losgekoppeld van het lichtnet.
- niet-oplaadbare batterijen mogen niet worden opgeladen;
- Verschillende soorten batterijen of nieuwe en gebruikte batterijen mogen niet worden gemengd;
- Verwijder de batterijen uit het product als u het langere tijd niet gebruikt.
- De batterijen moeten uit de afstandsbediening worden verwijderd voordat deze wordt weggegooid.
- Gooi lege batterijen onmiddellijk op een veilige manier weg (zodat kinderen ze niet kunnen pakken). Batterijen kunnen nog steeds gevaarlijk zijn. Neem contact op met uw gemeente om de batterij veilig weg te gooien.
- Controleer het product regelmatig en zorg ervoor dat het deksel van het batterijvakje goed vastzit. Als het batterijvakje niet goed sluit, gebruik het product dan niet meer en houd het uit de buurt van kinderen.
- Als u denkt dat batterijen zijn ingeslikt of in een lichaamsdeel zijn geplaatst, zoek dan onmiddellijk medische hulp. Als u vermoedt dat uw kind een knoopcelbatterij heeft ingeslikt of erin heeft gestopt, bel dan het alarmnummer van uw land als u in Europa bent voor snel en deskundig advies.



- Batterij lekt: Batterijen bevatten chemicaliën en moeten worden behandeld zoals elke andere chemische stof. Neem voorzorgsmaatregelen bij het hanteren van gelekte batterijchemicaliën. Bel het noodnummer van uw land als u in Europa bent voor snel deskundig advies.

TECHNISCHE INFORMATIE		
Ventilator	48" ventilator - Aria CTC zonder licht	48" ventilator - Aria CTC met licht
SKU#	SKU# 212999, 213000	SKU# 213001, 213002
Nominale spanning	220-240V~ 50Hz	
Nominaal vermogen (motor)	50W	
Verlichtingsbron	N.V.T.	Dit product bevat een lichtbron met energie-efficiëntieklasse E
Nominaal wattage (verlichtingsset)	N.V.T.	18W, 3000K, dimbaar (3-staps dimmen)
Gewicht	5,6 kg	
Baldakijn Afmetingen	H:95mm Dia:130mm	

GARANTIEGEGEVENS

IN EUROPA - Als u een Europese klant bent, neem dan contact op met het verkooppunt waar de ventilator is gekocht voor garantieservice.




This fan is suitable for indoor, alfresco and coastal areas where the fan is fully undercover with a minimum of 1 walls. This fan is not waterproof. When installed in an alfresco or coastal area, the ceiling fan must be positioned in a location protected from water, wind and dust. Exposure to these elements will void the warranty. Mounting the fan in a situation where it is subject to water or moisture is dangerous.

EL


ΣΑΣ ΕΥΧΑΡΙΣΤΟΥΜΕ ΓΙΑ ΤΗΝ ΑΓΟΡΑ

Σας ευχαριστούμε για την αγορά αυτού του ποιοτικού προϊόντος Lucci. Για να διασφαλίσετε τη σωστή λειτουργία και ασφάλεια, παρακαλούμε διαβάστε και ακολουθήστε προσεκτικά όλες τις οδηγίες πριν από τη συναρμολόγηση, την εγκατάσταση και τη χρήση αυτού του ανεμιστήρα οροφής. Παρακαλούμε φυλάξτε τις οδηγίες για μελλοντική αναφορά.

ΠΡΟΦΥΛΑΞΕΙΣ ΑΣΦΑΛΕΙΑΣ

1. Αυτή η συσκευή μπορεί να χρησιμοποιηθεί από παιδιά ηλικίας από 8 ετών και άνω και από άτομα με μειωμένες σωματικές, αισθητηριακές ή διανοητικές ικανότητες ή έλλειψη εμπειρίας και γνώσεων, εφόσον έχουν λάβει επίβλεψη ή οδηγίες σχετικά με τη χρήση της συσκευής με ασφαλή τρόπο και κατανοούν τους κινδύνους που ενέχει. Ο καθαρισμός και η συντήρηση δεν πρέπει να αναλαμβάνονται από παιδιά χωρίς επίβλεψη.
2. Τα παιδιά θα πρέπει να επιβλέπονται ώστε να διασφαλίζεται ότι δεν παίζουν με τη συσκευή.
3. Ένας ολοπολικός διακόπτης αποσύνδεσης πρέπει να ενσωματωθεί στην σταθερή καλωδίωση, σύμφωνα με τους τοπικούς κανόνες καλωδίωσης.
4.  Μην απορρίπτετε τις ηλεκτρικές συσκευές ως μη διαλεγμένα αστικά απόβλητα, χρησιμοποιήστε εγκαταστάσεις χωριστής συλλογής. Επικοινωνήστε με την τοπική αυτοδιοίκηση για πληροφορίες σχετικά με τα διαθέσιμα συστήματα συλλογής. Εάν οι ηλεκτρικές συσκευές απορρίπτονται σε χωματερές ή χωματερές, επικίνδυνες ουσίες μπορεί να διαρρεύσουν στα υπόγεια ύδατα και να εισέλθουν στην τροφική αλυσίδα, βλάπτοντας την υγεία και την ευημερία σας.
5. Η κατασκευή στην οποία θα τοποθετηθεί ο ανεμιστήρας πρέπει να μπορεί να αντέξει βάρος 23 kg.
6. Ο ανεμιστήρας πρέπει να τοποθετείται έτσι ώστε τα πτερύγια να βρίσκονται πάνω από 2,3 m πάνω από το δάπεδο *σ τ η ν* Ευρώπη.
7. Αυτός ο ανεμιστήρας είναι κατάλληλος για εσωτερικούς, υπαίθριους και παράκτιους χώρους όπου ο ανεμιστήρας είναι πλήρως καλυμμένος με τουλάχιστον 1 τοίχο. Αυτός ο ανεμιστήρας δεν είναι αδιάβροχος. Όταν εγκαθίσταται σε υπαίθριο ή παράκτιο χώρο, ο ανεμιστήρας οροφής πρέπει να τοποθετείται σε θέση προστατευμένη από το νερό, τον άνεμο και τη σκόνη. Η έκθεση σε αυτά τα στοιχεία θα ακυρώσει την εγγύηση. Η τοποθέτηση του ανεμιστήρα σε μια κατάσταση όπου υπόκειται σε νερό ή υγρασία είναι επικίνδυνη και μπορεί να αυξήσει τον κίνδυνο ζημιάς, τραυματισμού ή ηλεκτροπληξίας και θα ακυρώσει την εγγύηση.
8. Η ηλεκτρική εγκατάσταση πρέπει να εκτελείται από εξειδικευμένο αδειούχο ηλεκτρολόγο.
9. ΠΡΟΕΙΔΟΠΟΙΗΣΗ: Εάν παρατηρηθεί ασυνήθιστη ταλάντωση ή ταλαντευόμενη κίνηση, σταματήστε αμέσως τη χρήση του ανεμιστήρα οροφής και επικοινωνήστε με τον κατασκευαστή, τον αντιπρόσωπο σέρβις του ή με κατάλληλα ειδικευμένα άτομα.



10. Η αντικατάσταση των μερών της διάταξης του συστήματος ανάρτησης ασφαλείας πρέπει να πραγματοποιείται από τον κατασκευαστή, τον αντιπρόσωπο σέρβις του ή από κατάλληλα καταρτισμένα άτομα.
11. Τα μέσα στερέωσης για τη στερέωση στην οροφή, όπως άγκιστρα ή άλλες διατάξεις, πρέπει να στερεώνονται με επαρκή αντοχή ώστε να αντέχουν το τετραπλάσιο του βάρους του ανεμιστήρα οροφής- ότι η τοποθέτηση του συστήματος ανάρτησης πρέπει να πραγματοποιείται από τον κατασκευαστή, τον αντιπρόσωπο σέρβις του ή κατάλληλα καταρτισμένα άτομα.
12.  Προσοχή, κίνδυνος ηλεκτροπληξίας.

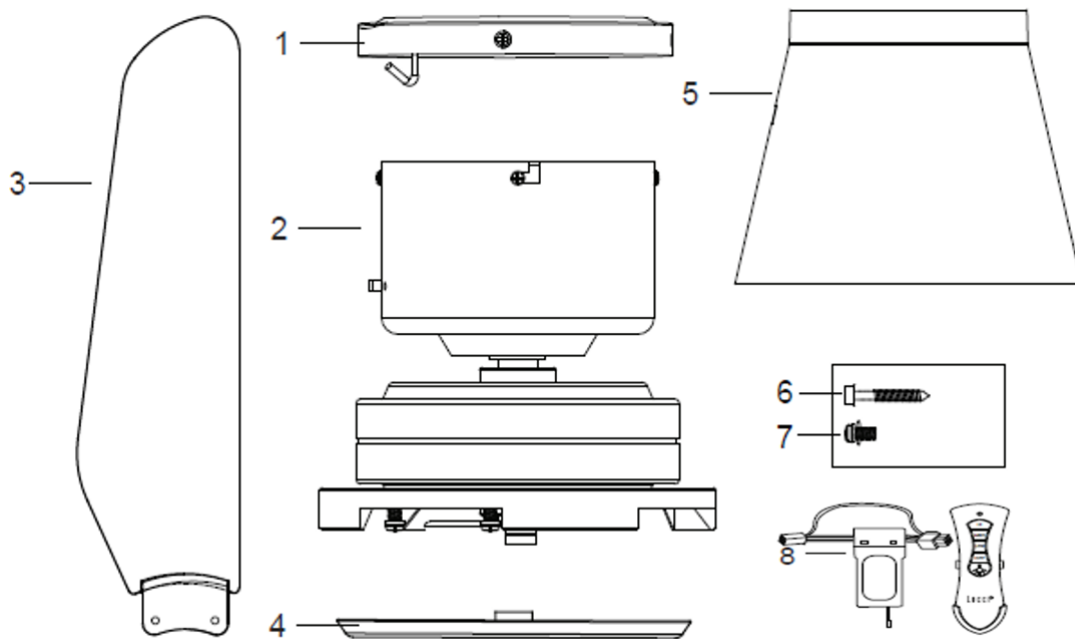
ΛΙΣΤΑ ΜΕΡΩΝ

- Αποσυνσκευάστε προσεκτικά τον ανεμιστήρα οροφής σας. Αφαιρέστε όλα τα μέρη και το υλικό.
- Τοποθετήστε όλα τα εξαρτήματα σε μια λεία επιφάνεια και βεβαιωθείτε ότι δεν λείπουν εξαρτήματα πριν από τη συναρμολόγηση. Εάν λείπουν εξαρτήματα, επιστρέψτε το πλήρες προϊόν στον τόπο αγοράς για επιθεώρηση ή αντικατάσταση.
- Ελέγξτε εάν ο ανεμιστήρας οροφής έχει υποστεί ζημιά κατά τη μεταφορά. Μην λειτουργείτε/εγκαθιστάτε οποιοδήποτε προϊόν που φαίνεται κατεστραμμένο με οποιονδήποτε τρόπο. Επιστρέψτε ολόκληρο το προϊόν στον τόπο αγοράς για επιθεώρηση, επισκευή ή αντικατάσταση.
- Εξετάστε όλα τα εξαρτήματα, θα πρέπει να έχετε τον ακόλουθο κατάλογο και Σχ.1:

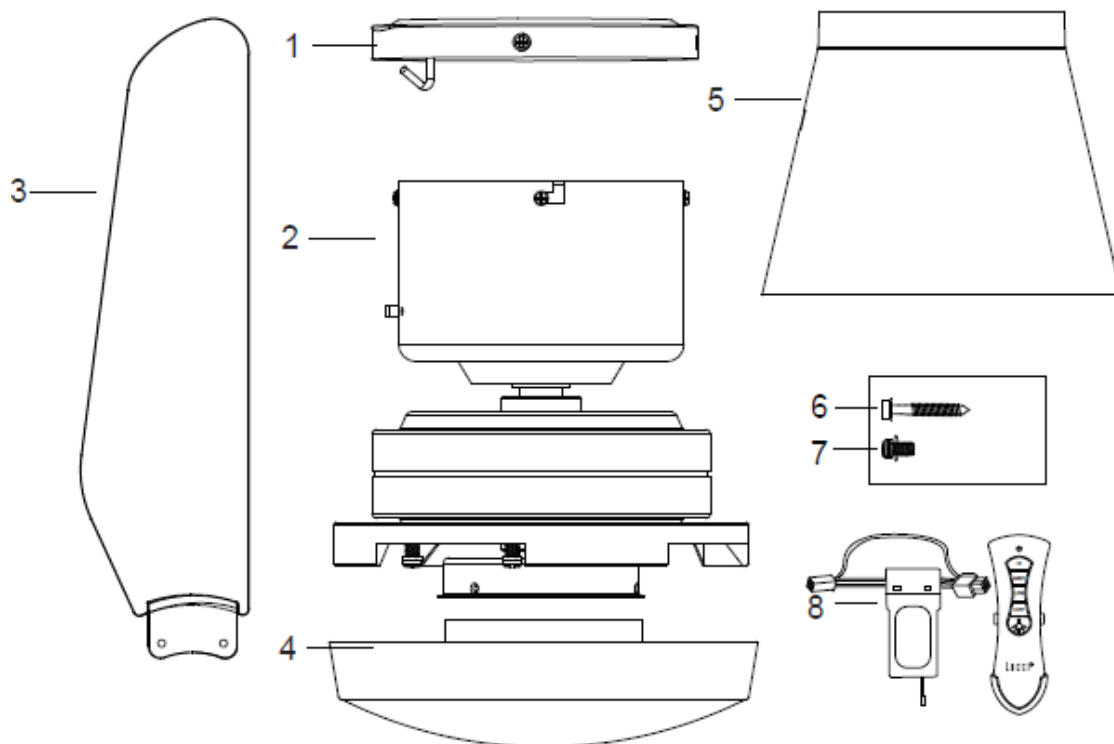
Ανεμιστήρας με επιτοίχιο πίνακα ελέγχου (χωρίς κιτ φωτισμού) (SKU# 212999 & 213000)		Ανεμιστήρας με τηλεχειριστήριο (με κιτ φωτισμού) (SKU# 213001 & 213002)	
1	Βραχίονας τοποθέτησης x 1	1	Βραχίονας τοποθέτησης x 1
2	Συγκρότημα κινητήρα x 1	2	Συγκρότημα κινητήρα x 1
3	Λεπίδες x 4	3	Λεπίδες x 4
4	Κάτω κάλυμμα κινητήρα x 1	4	Κιτ φωτισμού LED x 1
5	Κάλυμμα περιβλήματος κινητήρα x 1	5	Κάλυμμα περιβλήματος κινητήρα x 1
6	Βίδες τοποθέτησης x 4	6	Βίδες τοποθέτησης x 4
7	Ανταλλακτική βίδα για το πτερύγιο του ανεμιστήρα x 1	7	Ανταλλακτική βίδα για το πτερύγιο του ανεμιστήρα x 1
8	Τηλεχειριστήριο και τηλεχειριστήριο x 1 σετ	8	Τηλεχειριστήριο δέκτη και τηλεχειριστήριο x 1 σετ



Ανεμιστήρας με τηλεχειριστήριο (χωρίς κιτ φωτισμού) SKU# 212999 & 213000



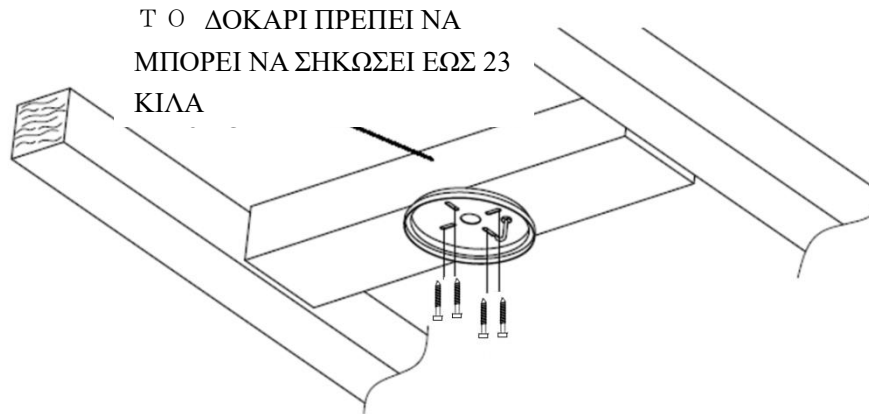
Ανεμιστήρας με τηλεχειριστήριο (με κιτ φωτισμού) SKU# 213001 & 213002



Σχήμα 1

ΤΟΠΟΘΈΤΗΣΗ ΤΟΥ ΒΡΑΧΙΟΝΑ ΣΤΗΡΙΞΗΣ

- Ο ανεμιστήρας οροφής πρέπει να εγκατασταθεί σε θέση ώστε τα πτερύγια να απέχουν 300 mm από την άκρη του πτερυγίου μέχρι τα πλησιέστερα αντικείμενα ή τοίχους.
- Εγκαταστήστε το στήριγμα ανάρτησης στη δοκό οροφής ή σε δομή που μπορεί να φέρει φορτίο τουλάχιστον 23kg, με τις 4 μεγάλες βίδες που παρέχονται. Βεβαιωθείτε ότι τουλάχιστον 30 mm της βίδας έχουν βιδωθεί στο στήριγμα. (Εικ. 2)



Σχήμα 2

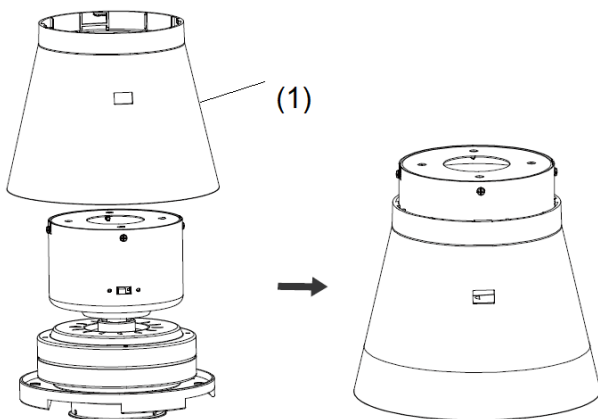
ΣΗΜΕΙΩΣΗ: Οι παρεχόμενες βίδες βραχίονα προορίζονται μόνο για χρήση με ξύλινες κατασκευές. Για κατασκευές εκτός από ξύλο, ΠΡΕΠΕΙ να χρησιμοποιηθεί ο κατάλληλος τύπος βίδας. Βεβαιωθείτε ότι οι χρησιμοποιούμενες βίδες είναι κατάλληλες για την επιφάνεια τοποθέτησης και το περιβάλλον.

ΓΩΝΙΑΚΉ ΕΓΚΑΤΑΣΤΑΣΗ ΟΡΟΦΉΣ

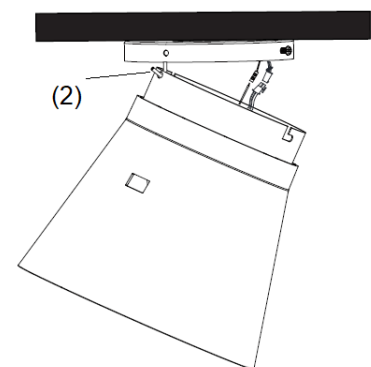
Αυτό το σύστημα ανάρτησης ανεμιστήρα ΔΕΝ υποστηρίζει εγκατάσταση σε γωνία μοίρας στην οροφή.

ΑΝΑΡΤΗΣΗ ΤΟΥ ΣΥΓΚΡΟΤΗΜΑΤΟΣ ΑΝΕΜΙΣΤΉΡΑ-ΚΙΝΗΤΉΡΑ

- Τοποθετήστε το περίβλημα του κινητήρα (1) στο συγκρότημα κινητήρα. (Σχ. 3)
- Ανασηκώστε το συγκρότημα ανεμιστήρα μέχρι το στήριγμα τοποθέτησης. Κρεμάστε το συγκρότημα ανεμιστήρα στο άγκιστρο J (2) του βραχίονα τοποθέτησης. (Σχ. 4)
- Ολοκληρώστε την ηλεκτρική καλωδίωση σύμφωνα με την ενότητα "ΔΙΑΓΡΑΜΜΑ ΗΛΕΚΤΡΙΚΗΣ ΚΑΛΩΔΙΟΔΟΤΗΣΗΣ" παρακάτω.



Σχήμα 3



Σχήμα 4

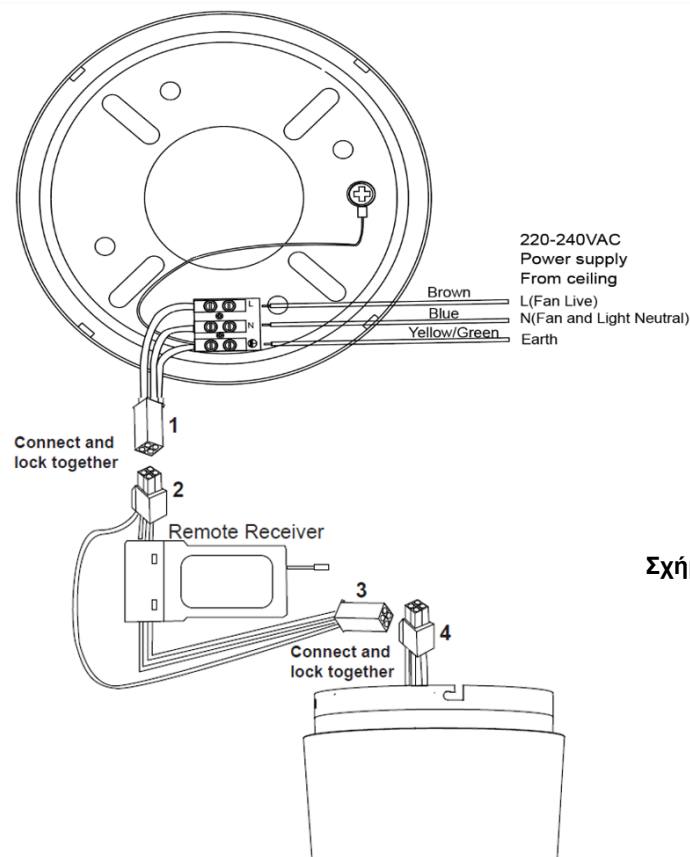


ΗΛΕΚΤΡΙΚΗ ΚΑΛΩΔΙΩΣΗ ΤΟΥ ΑΝΕΜΙΣΤΗΡΑ

ΣΗΜΕΙΩΣΗ: Το διάγραμμα καλωδίωσης περιλαμβάνει την καλωδίωση του κιτ φωτισμού. Το διάγραμμα καλωδίωσης του φωτός και του διακόπτη παραλείπεται όταν δεν χρησιμοποιείται κιτ φωτισμού με τον ανεμιστήρα οροφής.

ΜΟΝΤΕΛΑ ΜΕ ΤΗΛΕΧΕΙΡΙΣΤΗΡΙΟ ΔΙΑΓΡΑΜΜΑ ΚΑΛΩΔΙΩΣΗΣ (Σχ. 5):

- Συνδέστε τα καλώδια L, N και γείωσης στο μπλοκ ακροδεκτών του βραχίονα τοποθέτησης, όπως φαίνεται στο παρακάτω διάγραμμα της Εικ. 5.
- Συνδέστε τους ταχυσυνδέσμους από το βραχίονα στήριξης (1) και από τον τηλεχειριστήριο δέκτη (2) και βεβαιωθείτε ότι ασφαλίζουν.
- Συνδέστε τους ταχυσυνδέσμους από τον τηλεχειριστήριο δέκτη (3) και από τον ανεμιστήρα (4) και βεβαιωθείτε ότι ασφαλίζουν.
- Τοποθετήστε τον δέκτη τηλεχειριστηρίου στην κοιλότητα του κρεμαστού θόλου του συγκροτήματος κινητήρα μαζί με την υπόλοιπη εσωτερική καλωδίωση.



Σχήμα 5

220-240VAC Power supply from ceiling	220-240VAC Παροχή ρεύματος από την οροφή
L (Fan Live)	L (Φάση ανεμιστήρα)
N (Fan and Light Neutral)	N (Ουδέτερο ανεμιστήρα και φωτιστικού)
Earth	Γείωση
Brown	Καφέ
Blue	Μπλε
Yellow/Green	Κίτρινο/Πράσινο
Connect and lock together	Συνδέστε και κλειδώστε μαζί
Remote Receiver	Δέκτης τηλεχειρισμού

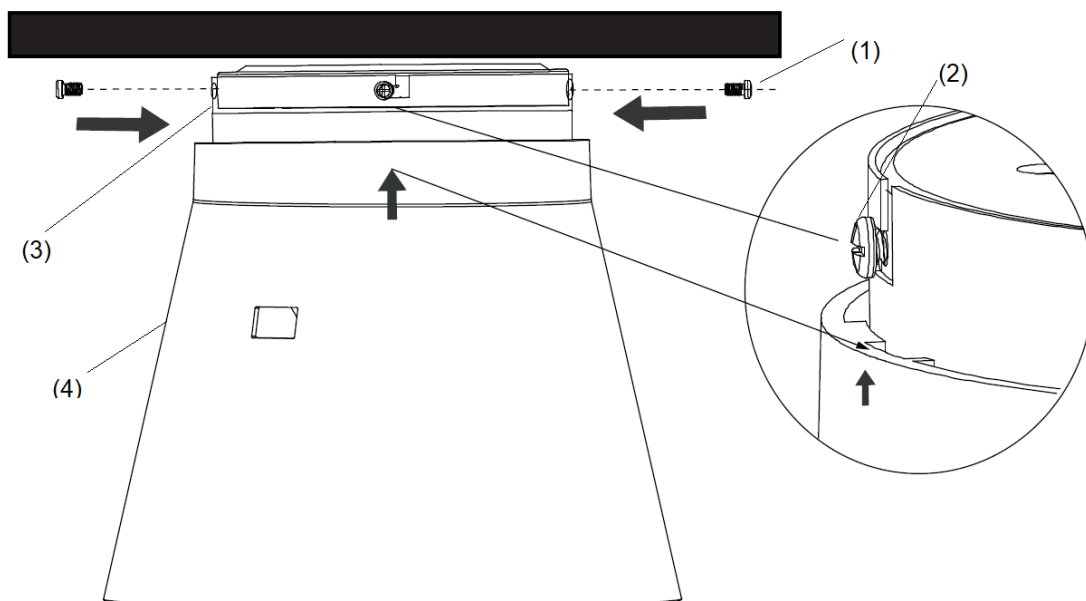


ΕΓΚΑΤΑΣΤΗΣΤΕ ΤΟ ΣΥΓΚΡΟΤΗΜΑ ΑΝΕΜΙΣΤΗΡΑ ΣΤΟ ΒΡΑΧΙΟΝΑ ΤΟΠΟΘΕΤΗΣΗΣ

- Μετά την ολοκλήρωση της ηλεκτρικής σύνδεσης στο μπλοκ ακροδεκτών του βραχίονα τοποθέτησης,
- συνδέστε τον τηλεχειριστήριο δέκτη και τον ανεμιστήρα οροφής μέσω του γρήγορου συνδέσμου,
- Βεβαιωθείτε ότι η καλωδίωση γείωσης είναι ασφαλής και σωστή, εκτελώντας δοκιμή συνέχειας γείωσης από το προσβάσιμο μεταλλικό σώμα του ανεμιστήρα πίσω στον ακροδέκτη γείωσης στο μπλοκ ακροδεκτών στο βραχίονα τοποθέτησης.

Τοποθετήστε το συγκρότημα ανεμιστήρα στο βραχίονα στήριξης (Σχ. 6).

- Υπάρχουν 4 βίδες προεγκατεστημένες στο βραχίονα στήριξης:
 - Χαλαρώστε τις δύο βίδες του θόλου με την αστεροειδή ροδέλα (2) κατά το μισό σπείρωμα από το βραχίονα στήριξης. (Για σχισμή σχήματος L στο θόλο που πρόκειται να τοποθετηθεί).
 - Χαλαρώστε τις δύο βίδες του θόλου (1) και αφαιρέστε τις από το βραχίονα τοποθέτησης.
- Ανασηκώστε το κρεμαστό κάλυμμα του συγκροτήματος ανεμιστήρα μέχρι το βραχίονα στήριξης και αφήστε την υποδοχή σχήματος L στο κρεμαστό κάλυμμα να περάσει μέσα από τις δύο βίδες του καλύμματος με τη ροδέλα αστέρα (2).
- Περιστρέψτε το κρεμαστό στεγάστρο μέχρι να ασφαλίσει στη θέση του στο τελικό τμήμα της σχισμής σχήματος L. Βεβαιωθείτε ότι η ροδέλα αστεριού βρίσκεται μεταξύ του κρεμαστού στεγαστρού (3) και της κεφαλής της βίδας. Ασφαλίστε το σφίγγοντας τις δύο βίδες του στεγαστρού με την αστεροειδή ροδέλα (2).
- Στερεώστε και σφίξτε τις βίδες του θόλου (1) στο βραχίονα στήριξης. Το κρεμαστό στεγάστρο (3) πρέπει να έχει συνολικά 4 βίδες (1) & (2). Αποφύγετε την καταστροφή της ηλεκτρικής καλωδίωσης που έχει προετοιμαστεί προηγουμένως κατά την ανάρτηση του στεγαστρού.
- Τέλος, τοποθετήστε το κάλυμμα του στεγαστρού (4) στο βραχίονα τοποθέτησης, ασφαλίστε το πιέζοντας τα άγκιστρα του καλύμματος του στεγαστρού στις οπές υποδοχής του κρεμαστού στεγαστρού και στρέψτε το αριστερόστροφα.

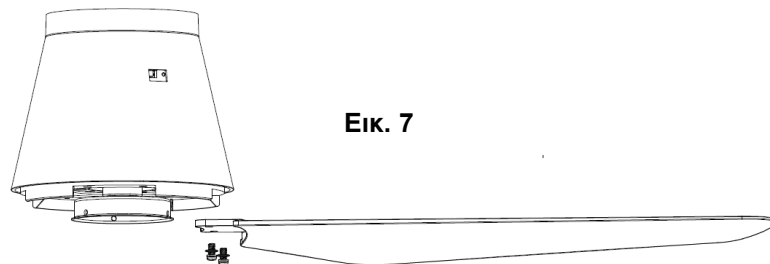


Σχήμα 6



ΤΟΠΟΘΈΤΗΣΗ ΤΟΥ ΠΤΕΡΥΓΙΟΥ ΑΝΕΜΙΣΤΗΡΑ ΚΑΙ ΤΟΥ ΚΙΤ ΦΩΤΙΣΜΟΥ**ΠΡΟΣΑΡΜΟΓΗ ΛΑΜΜΑΤΟΣ (Σχ. 7)**

1. Πριν από την τοποθέτηση των πτερυγίων, αφαιρέστε τις βίδες των πτερυγίων και τις επίπεδες ροδέλες από το κάτω μέρος του μοτέρ του ανεμιστήρα.
2. Ευθυγραμμίστε τις 2 σπές στη λεπίδα με τις 2 σπές στο περιστρεφόμενο μέλος του συγκροτήματος κινητήρα ανεμιστήρα και χρησιμοποιήστε τις 2 βίδες της λεπίδας στο βήμα 1, για να στερεώσετε τη λεπίδα στο συγκρότημα κινητήρα ανεμιστήρα.
Βεβαιωθείτε ότι όλες οι βίδες είναι ομοιόμορφα σφιγμένες για να μειωθεί η πιθανότητα στρέβλωσης ή ανισορροπίας. Προσέξτε να μην σφίξετε υπερβολικά τις βίδες, καθώς αυτό μπορεί να προκαλέσει ζημιά στις λεπίδες.
3. Μόλις ολοκληρωθεί, επαναλάβετε τη διαδικασία για τις υπόλοιπες λεπίδες.

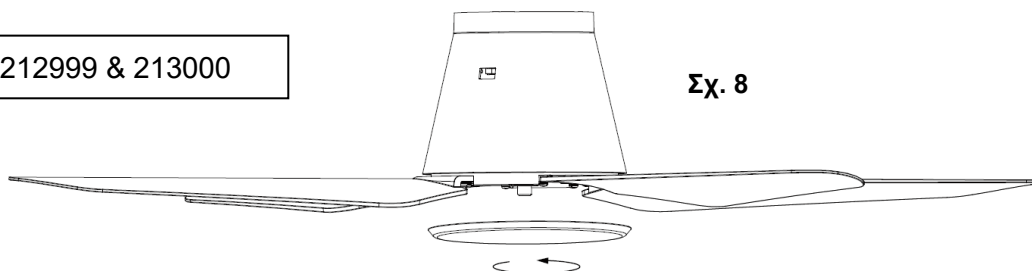


Εικ. 7

ΕΓΚΑΤΑΣΤΑΣΗ ΤΟΥ ΚΑΤΩΤΕΡΙΚΟΥ ΚΑΛΥΜΜΑΤΟΣ (ΓΙΑ ΤΟΝ ΦΙΝΕΡ ΧΩΡΙΣ ΦΩΤΙΣΜΟ Εικ.8)

Στερεώστε το κάτω κάλυμμα του μοτέρ, περιστρέφοντάς το δεξιόστροφα.

ΓΙΑ SKU# 212999 & 213000

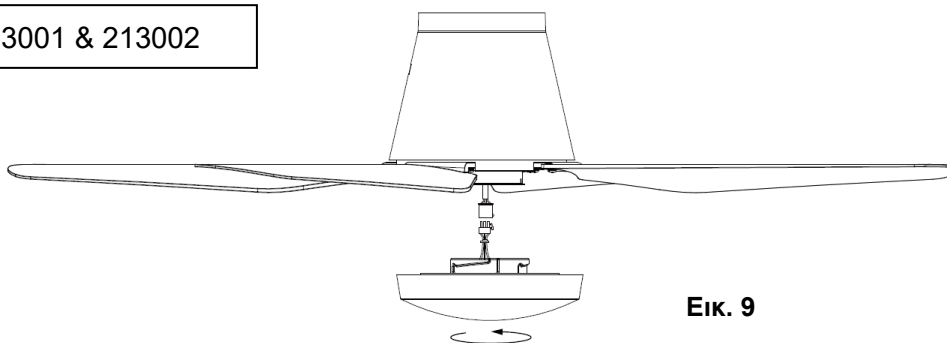


Σχ. 8

ΕΓΚΑΤΑΣΤΑΣΗ ΤΟΥ ΣΕΤ ΦΩΤΙΣΜΟΥ LED (ΓΙΑ ΤΟΝ ΦΑΝΕΛΑΙΟ ΜΕ ΦΩΤΙΣΜΟ Εικ.9)

- Τοποθετήστε το σετ φωτισμού LED στη βάση του λαμπτήρα και συνδέστε τα καλώδια στο σετ φωτισμού LED μέσω των ταχυσυνδέσμων.
- Στερεώστε το σετ φωτισμού LED στη βάση του λαμπτήρα περιστρέφοντας το σώμα του σετ φωτισμού LED δεξιόστροφα. Προσέξτε να μην διασταυρώσετε ή στρίψετε και καταστρέψετε τα καλώδια.

ΓΙΑ SKU# 213001 & 213002



Εικ. 9



ΧΡΗΣΗ ΤΟΥ ΑΝΕΜΙΣΤΗΡΑ ΟΡΟΦΗΣ - ΤΗΛΕΧΕΙΡΙΣΤΗΡΙΟ

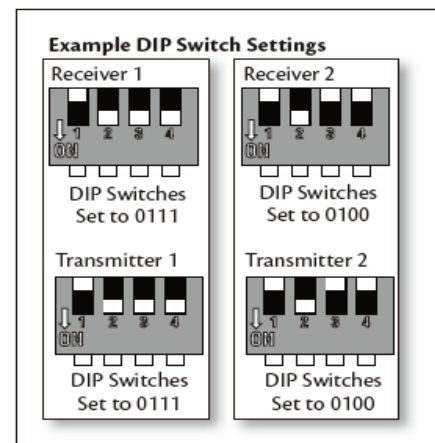
Ο ανεμιστήρας οροφής σας ελέγχεται μέσω του τηλεχειριστηρίου. Υπάρχουν 4 κουμπιά (HI, MED, LOW, OFF) για τον έλεγχο της ταχύτητας του ανεμιστήρα και ένα κουμπί για τον έλεγχο της ενεργοποίησης/απενεργοποίησης του φωτός. **Εικ. 10**

Πριν από τη λειτουργία του τηλεχειριστηρίου, πρέπει να λάβετε υπόψη τα εξής.

- Για τη λειτουργία του τηλεχειριστηρίου απαιτούνται 2 μπαταρίες AAA 1,5V (μέγεθος). Αφαιρέστε το κάλυμμα των μπαταριών από το πίσω μέρος του τηλεχειριστηρίου και τοποθετήστε 2 x μπαταρίες AAA. Βεβαιωθείτε ότι οι πολικότητες είναι σωστές, όπως φαίνεται στη θήκη των μπαταριών. **(Εικ. 11)** (Οι μπαταρίες δεν περιλαμβάνονται.)
- Το τηλεχειριστήριο (πομπός) και ο δέκτης πρέπει να διαμορφωθούν έτσι ώστε η επικοινωνία μεταξύ τους να είναι ζευγαρωμένη. Αυτό επιτυγχάνεται με τη ρύθμιση του διακόπτη DIP στο δέκτη και στο τηλεχειριστήριο στην ίδια ρύθμιση. **(Εικ. 12)**

Σημείωση: Το συγκρότημα διακοπών DIP διαθέτει 4 διακόπτες που μπορούν να ρυθμιστούν σε 16 διαφορετικούς συνδυασμούς κωδικών μετάδοσης. Αυτό είναι πρακτικό όταν υπάρχουν περισσότερα από 1 ζεύγη τηλεχειριστηρίου/δέκτη που λειτουργούν τοπικά ή στο ίδιο δωμάτιο.

Σημείωση: Για να αποκτήσετε πρόσβαση στους διακόπτες DIP του δέκτη, αφαιρέστε το κάλυμμα των διακοπών DIP.



Εικ. 11 Θήκη μπαταριών τηλεχειριστηρίου

Εικ. 12 Διακόπτης DIP δέκτη

Example DIP Switch Settings	Ενδεικτικές ρυθμίσεις διακοπών DIP
Receiver 1	Δέκτης 1
DIP Switches Set to 0111	Διακόπτες DIP Ρύθμιση 0111
Receiver 2	Δέκτης 2
DIP Switches Set to 0100	Διακόπτες DIP Ρύθμιση 0100
Transmitter 1	Τηλεχειριστήριο 1
DIP Switches Set to 0111	Διακόπτες DIP Ρύθμιση 0111
Transmitter 2	Τηλεχειριστήριο 2
DIP Switches Set to 0100	Διακόπτες DIP Ρύθμιση 0100



ΛΕΙΤΟΥΡΓΙΑ ΤΟΥ ΤΗΛΕΧΕΙΡΙΣΤΗΡΙΟΥ:

Πριν αρχίσετε να χρησιμοποιείτε το τηλεχειριστήριο, αφιερώστε χρόνο για να διαβάσετε αυτή την ενότητα και να εξοικειωθείτε με τα κουμπιά και τη λειτουργία κάθε κουμπιού.

Ένδειξη LED

Η κόκκινη ενδεικτική λυχνία LED στο επάνω μέρος του πομπού αναβοσβήνει όταν τα κουμπιά είναι ενεργά.

ΣΤΟ ΤΗΛΕΧΕΙΡΙΣΤΗΡΙΟ

HI: Πατήστε το κουμπί για να ρυθμίσετε τον ανεμιστήρα σε υψηλή ταχύτητα.

MED: Πατήστε το κουμπί για να ρυθμίσετε τη λειτουργία του ανεμιστήρα σε μεσαία ταχύτητα.

ΧΑΜΗΛΑ: Πατήστε το κουμπί για να ρυθμίσετε τον ανεμιστήρα σε χαμηλή ταχύτητα.

OFF: Πατήστε το κουμπί για να απενεργοποιήσετε τον ανεμιστήρα.



Εικ. 10

LED indicator	Λυχνία LED
Turn on the fan at high speed	Ανάβει τον ανεμιστήρα στην υψηλή ταχύτητα
Turn on the fan at medium speed	Ανάβει τον ανεμιστήρα στη μεσαία ταχύτητα
Turn on the fan at low speed	Ανάβει τον ανεμιστήρα στη χαμηλή ταχύτητα
Turn off the fan	Σβήνει τον ανεμιστήρα
Turn on / off the light	Ανάβει / σβήνει το φως

ΕΛΕΓΧΟΣ ΦΩΤΙΣΜΟΥ

Πατήστε το κουμπί για να ενεργοποιήσετε/απενεργοποιήσετε το φως.

Το τηλεχειριστήριο διαθέτει λειτουργία μνήμης. Εάν ο ανεμιστήρας ή το φως απενεργοποιηθεί από τον διακόπτη απομόνωσης, θα απομνημονεύσει και θα ανακτήσει την τελευταία κατάσταση όταν ενεργοποιηθεί ξανά.

Το σετ φωτισμού LED διαθέτει λειτουργία dimmable 3 βημάτων, η οποία ελέγχεται από έναν διακόπτη ON/OFF. Γυρίστε το διακόπτη ON/OFF στο φωτιστικό σώμα 4 φορές μέσα σε 5 δευτερόλεπτα, η σφαίρα θα ανάψει με την ακόλουθη σειρά:

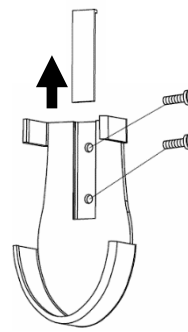
100% φωτεινότητα → 40% φωτεινότητα → 13% φωτεινότητα → 100% φωτεινότητα

Για να επανέλθετε στη φωτεινότητα 100% σε οποιοδήποτε στάδιο, απενεργοποιήστε το φωτιστικό και μετά από 5 δευτερόλεπτα ενεργοποιήστε το φωτιστικό, θα επανέλθει στη φωτεινότητα 100%.

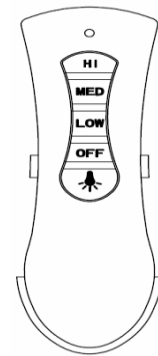


ΕΓΚΑΤΑΣΤΑΣΗ ΤΗΣ ΘΗΚΗΣ ΤΗΛΕΧΕΙΡΙΣΤΗΡΙΟΥ (Σχ. 13)

4. Εντοπίστε έναν κατάλληλο τοίχο ή επιφάνεια για να στερεώσετε τη βάση τοίχου του τηλεχειριστηρίου.
5. Αφαιρέστε το βιδωτό κάλυμμα και τοποθετήστε τη βάση με τις 2 βίδες και επανατοποθετήστε το βιδωτό κάλυμμα. (Εικ. 13α).
6. Σύρετε το τηλεχειριστήριο μέσα στη θήκη.



Σχ. 13α



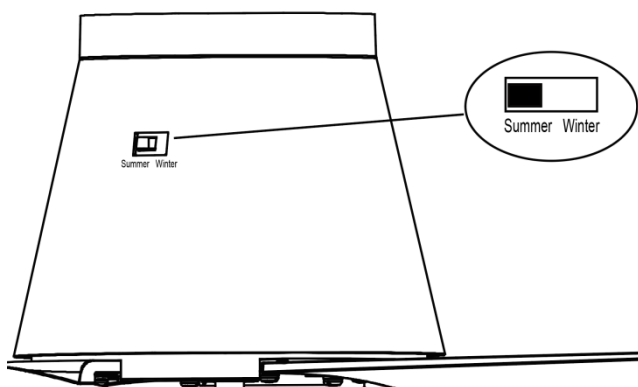
Σχ. 13β

ΔΙΑΚΟΠΤΗΣ ΑΝΤΙΣΤΡΟΦΗΣ (Σχ. 14)

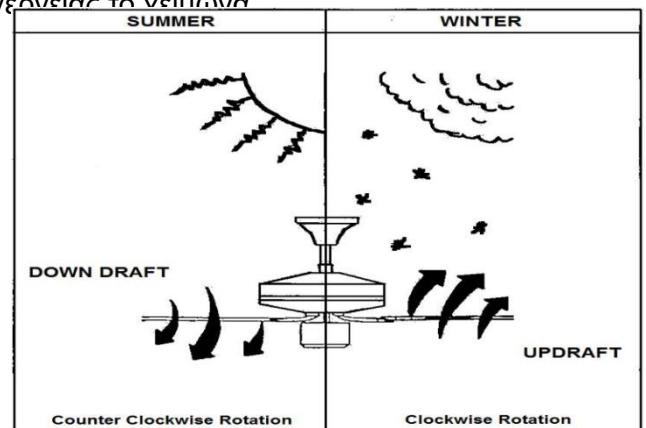
Ο ανεμιστήρας οροφής σας μπορεί να λειτουργεί είτε σε καλοκαιρινή είτε σε χειμερινή λειτουργία.

Λειτουργία SUMMER: Για να περιστρέφεται ο ανεμιστήρας αριστερόστροφα. Η ροή του αέρα θα κατευθύνεται προς τα κάτω, για ψύξη το καλοκαίρι.

Λειτουργία WINTER: Για να περιστρέφεται ο ανεμιστήρας δεξιόστροφα, ο αντίστροφος διακόπτης πρέπει να βρίσκεται στη θέση WINTER. Η ροή του αέρα θα κατευθύνεται προς τα πάνω βοηθώντας στην κυκλοφορία του θερμού αέρα, για εξοικονόμηση ενέργειας το χειμώνα.



Εικ. 14



SUMMER	SUMMER
WINTER	WINTER
DOWN DRAFT	ΚΑΘΟΔΙΚΟ ΡΕΥΜΑ
UPDRAFT	ΑΝΟΔΙΚΟ ΡΕΥΜΑ
Counter Clockwise Rotation	Αριστερόστροφη περιστροφή
Clockwise Rotation	Δεξιόστροφη περιστροφή



ΜΕΤΑ ΤΗΝ ΕΓΚΑΤΑΣΤΑΣΗ

ΓΙΑ ΝΑ ΜΕΙΩΘΕΙ Η ΤΑΛΑΝΤΩΣΗ ΤΟΥ ΑΝΕΜΙΣΤΗΡΑ: Ελέγξτε ότι όλες οι βίδες που στερεώνουν το βραχίονα στήριξης και τα πτερύγια είναι ασφαλείς.

ΚΙΤ ΕΞΙΣΟΡΡΟΠΗΣΗΣ: Παρέχεται ένα κιτ εξισορρόπησης για την εξισορρόπηση του ανεμιστήρα οροφής κατά την αρχική εγκατάσταση. Ανατρέξτε στις οδηγίες σχετικά με τη χρήση του κιτ εξισορρόπησης. Το κιτ εξισορρόπησης μπορεί να χρησιμοποιηθεί για να βοηθήσει στην εκ νέου εξισορρόπηση σε περίπτωση που ο ανεμιστήρας οροφής δεν ισορροπήσει ξανά. Αποθηκεύστε το κιτ εξισορρόπησης μετά την εγκατάσταση για μελλοντική χρήση, εάν χρειαστεί.

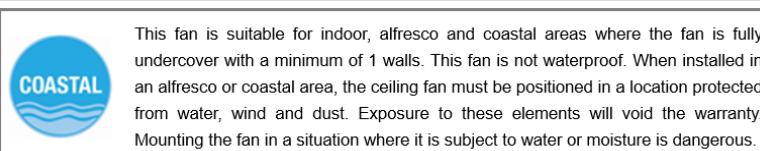
ΦΡΟΝΤΙΔΑ & ΚΑΘΑΡΙΣΜΟΣ

ΣΗΜΕΙΩΣΗ: Πάντα να απενεργοποιείτε την παροχή ρεύματος από τον κεντρικό διακόπτη πριν εκτελέσετε οποιαδήποτε συντήρηση ή επιχειρήσετε να καθαρίσετε τον ανεμιστήρα σας.

- Κάθε 6 μήνες ο περιοδικός καθαρισμός του ανεμιστήρα οροφής σας είναι η μόνη συντήρηση που απαιτείται. Χρησιμοποιήστε μια μαλακή βούρτσα ή ένα πανί χωρίς χνούδι για να αποφύγετε να γρατζουνίσετε το φινίρισμα του χρώματος. Παρακαλείστε να απενεργοποιείτε την ηλεκτρική ενέργεια όταν το κάνετε αυτό.
- Μην μουλιάζετε ή βυθίζετε τον ανεμιστήρα οροφής στο νερό ή σε άλλα υγρά. Θα μπορούσε να προκληθεί ζημιά στο μοτέρ ή στα πτερύγια και να δημιουργηθεί η πιθανότητα ηλεκτροπληξίας.
- Βεβαιωθείτε ότι το εξάρτημα δεν έρχεται σε επαφή με οργανικούς διαλύτες ή καθαριστικά.
- Για να καθαρίσετε το πτερύγιο του ανεμιστήρα, σκουπίστε το μόνο με ένα υγρό καθαρό πανί χωρίς οργανικούς διαλύτες ή καθαριστικά.
- Το μοτέρ διαθέτει ρουλεμάν με μόνιμη λίπανση, οπότε δεν υπάρχει ανάγκη για λίπανση.

ΠΡΟΦΥΛΑΞΕΙΣ ΑΣΦΑΛΕΙΑΣ ΓΙΑ ΤΗΝ ΜΠΑΤΑΡΙΑ

- **ΠΡΟΕΙΔΟΠΟΙΗΣΗ** - Κρατήστε τις νέες και χρησιμοποιημένες μπαταρίες μακριά από παιδιά.
- **ΠΡΟΣΟΧΗ** - Μην καταπίνετε την μπαταρία-Κίνδυνος χημικών εγκαυμάτων.
- Χρησιμοποιείτε πάντα μπαταρίες τύπου 2 x AAA με αυτό το τηλεχειριστήριο ανεμιστήρα οροφής.
- Βεβαιωθείτε ότι οι μπαταρίες έχουν τοποθετηθεί με τη σωστή πολικότητα.
- Για να αποφευχθεί η λανθασμένη λειτουργία κατά την τοποθέτηση ή την αντικατάσταση της μπαταρίας, αυτός ο ανεμιστήρας οροφής πρέπει να αποσυνδεθεί από το ηλεκτρικό δίκτυο.
- οι μη επαναφορτιζόμενες μπαταρίες δεν πρέπει να επαναφορτίζονται,
- δεν πρέπει να αναμειγνύονται διαφορετικοί τύποι μπαταριών ή νέες και μεταχειρισμένες μπαταρίες,
- Αφαιρέστε τις μπαταρίες από το προϊόν όταν δεν το χρησιμοποιείτε για μεγάλο χρονικό διάστημα.
- Οι μπαταρίες πρέπει να αφαιρεθούν από τον τηλεχειριστήριο πριν από την απόρριψή του.
- Απορρίψτε τις εξαντλημένες μπαταρίες αμέσως και με ασφάλεια (ώστε να μην μπορούν να τις ανακτήσουν τα παιδιά). Οι μπαταρίες μπορεί να εξακολουθούν να είναι επικίνδυνες. Επικοινωνήστε με το τοπικό σας συμβούλιο για την ασφαλή απόρριψη της μπαταρίας.
- Ελέγχετε τακτικά το προϊόν και βεβαιωθείτε ότι το καπάκι του κουτιού μπαταρίας είναι σωστά ασφαλισμένο. Εάν η θήκη μπαταριών δεν κλείνει με ασφάλεια, σταματήστε να χρησιμοποιείτε το προϊόν και κρατήστε το μακριά από παιδιά.



- Εάν πιστεύετε ότι οι μπαταρίες μπορεί να έχουν καταποθεί ή τοποθετηθεί μέσα σε οποιοδήποτε μέρος του σώματος, αναζητήστε αμέσως ιατρική βοήθεια. Εάν υποψιάζεστε ότι το παιδί σας έχει καταπιεί ή έχει τοποθετήσει μια μπαταρία, καλέστε τον αριθμό έκτακτης ανάγκης της χώρας σας, εάν βρίσκεστε στην Ευρώπη, για γρήγορη συμβουλή από ειδικούς.
- Διαρροές μπαταρίας: Η μπαταρία περιέχει χημικές ουσίες και θα πρέπει να αντιμετωπίζεται όπως κάθε χημική ουσία. Λαμβάνετε προφυλάξεις κατά το χειρισμό των χημικών ουσιών της μπαταρίας που διέρρευσαν. Τα χημικά της μπαταρίας δεν πρέπει να τοποθετούνται κοντά στα μάτια ή να καταπίνονται. καλέστε τον αριθμό έκτακτης ανάγκης της χώρας σας εάν βρίσκεστε στην Ευρώπη για γρήγορη συμβουλή από ειδικούς.

ΤΕΧΝΙΚΕΣ ΠΛΗΡΟΦΟΡΙΕΣ		
Ανεμιστήρας	Ανεμιστήρας 48" - Aria CTC χωρίς φως	Ανεμιστήρας 48" - Aria CTC με φως
SKU#	SKU# 212999, 213000	SKU# 213001, 213002
Ονομαστική τάση	220-240V~ 50Hz	
Ονομαστική ισχύς (μοτέρ)	50W	
Πηγή φωτισμού	N/A	Αυτό το προϊόν περιέχει μια πηγή φωτός κατηγορίας ενεργειακής απόδοσης E
Ονομαστική ισχύς (Light Kit)	N/A	18W, 3000K, με δυνατότητα ρύθμισης φωτισμού (ρύθμιση φωτισμού 3 βημάτων)
Βάρος	5,6 kg	
Διαστάσεις θόλου	H: 95mm Διάμετρος: 130mm	

ΠΛΗΡΟΦΟΡΙΕΣ ΕΓΓΥΗΣΗΣ

ΣΤΗΝ ΕΥΡΩΠΗ - Εάν είστε Ευρωπαίος πελάτης, παρακαλούμε επικοινωνήστε με το κατάστημα λιανικής πώλησης από όπου αγοράστηκε ο ανεμιστήρας για την υπηρεσία εγγύησης.

