

## PACKING LIST

Frame	pcs
Inner desk frame	1
Outer desk frame	1
Cable clamp	2
Hole cap	4
Column	2
End pipe	2
Feet	2
Control box / Hand control	pcs
Control box	1
Hand control	1
AC cable	1
Screw and wrench	pcs
Screw for motor house, M6x12mm	8
Screw for feet, M6x16mm	8
Screw for hand control, Ø4x22mm	2
Screw for tabletop, Ø5x20mm	20
Hexagonal wrench, 5mm	1

## Tightening torque

Screw for motor house	Maximum 6Nm
Screw for feet and tabletop	Maximum 10Nm
Screw for hand control	< 6Nm

**Make sure all screws are tightened, also after a period of use!**

## Reset the desk before use

Press both up and down buttons at the same time for 3 seconds. Continue pressing the buttons until both columns are in lowest position. When finish reset, the control box makes a sound and the buttons can be released. Now the system is operational.

## WARNING

Carefully arrange all the cables not to be damaged by tabletop screws.

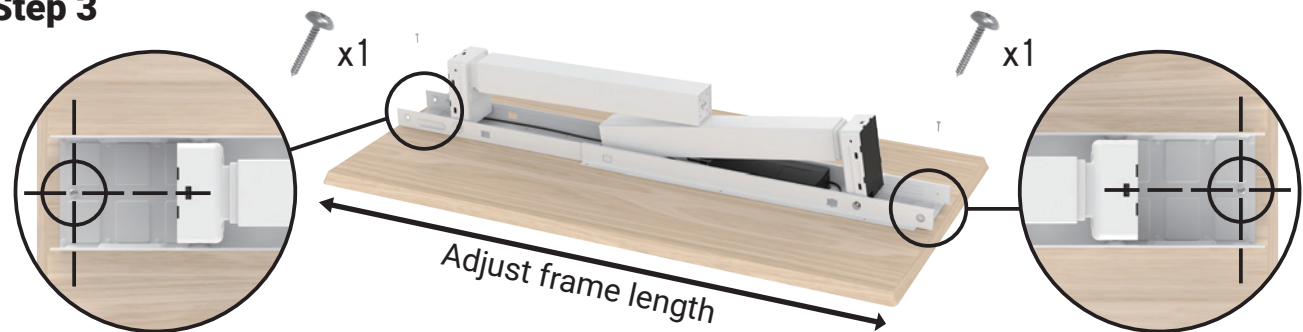
### Step 1



### Step 2



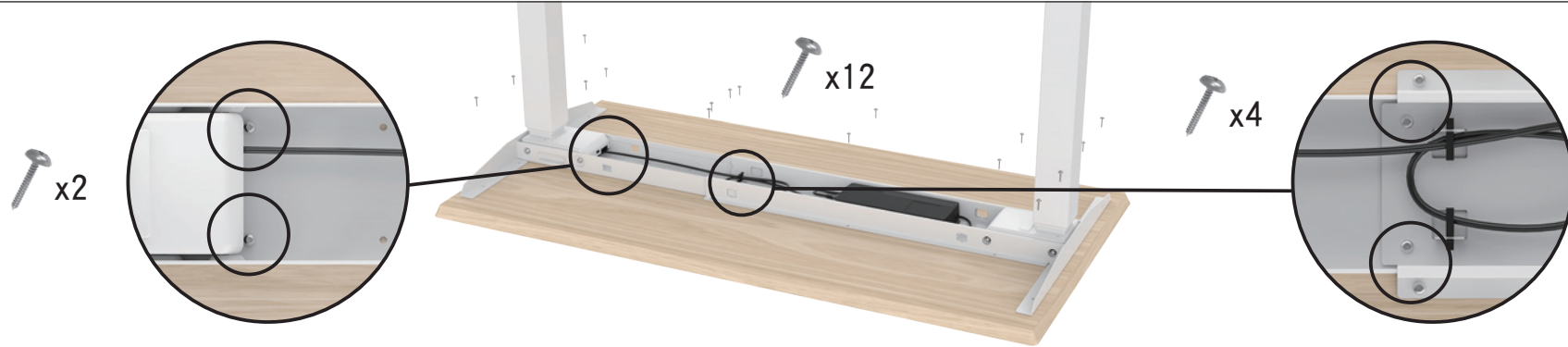
### Step 3



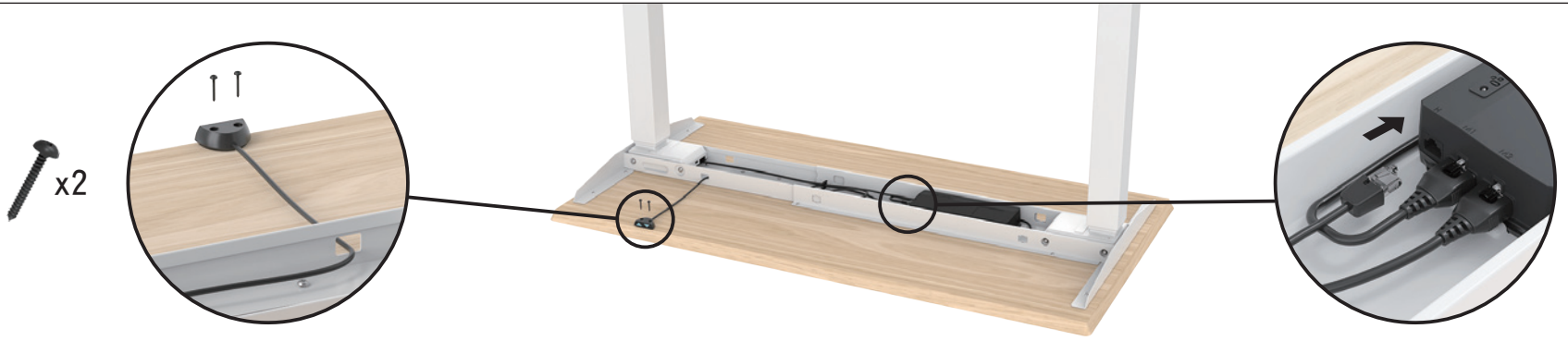
### Step 4



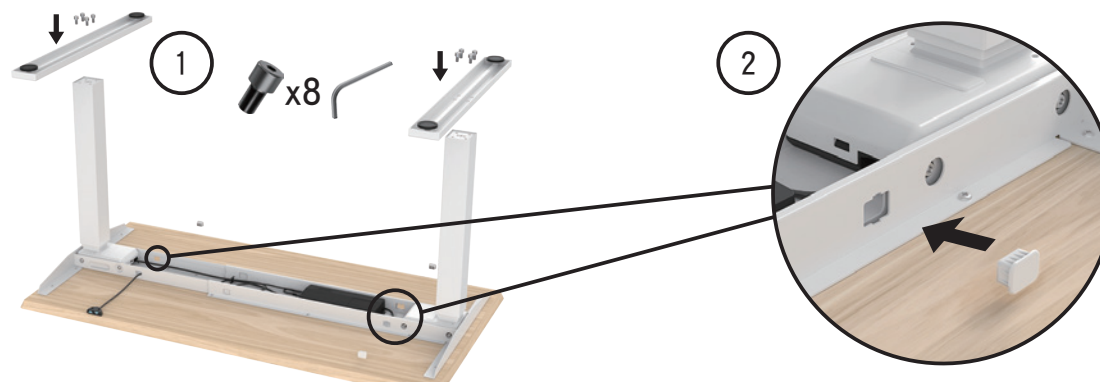
## Step 5



## Step 6



## Step 7





**TiMOTION TECHNOLOGY**

东莞堤摩讯传动科技有限公司

TEL : +86 769 8706 2055 (4 Lines) | FAX : +86 769 8706 2056

www.timotion.tw

中国广东省东莞市横沥镇石涌民营工业区

Shiyong Minyin Industrial Zone, Hengli Town, Dongguan City, GuanDong, China.

## EU Declaration of Conformity

According to 2006/42/EC; 2014/35/EU;

Hereby we declare that the concept and design of the following listed products, as well as the type of design supplied by Timotion, conform to basic requirements of the above mentioned EU Machinery regulation and LVD regulation. And modification or change of the product without our approval will void the validity of this declaration.

Manufacturer: Timotion Technology Co. Ltd.  
Shiyong Mining Industrial Zone, Hengli Town,  
Dongguan City, GuangDong, China

From date of construction: 20 Apr. 2016

### Products:

Actuators: TA Series, MA Series, JP Series, VN Series, SR Series

Columns: TL Series, TVL Series

Ergo frame kits: TEK Series

Air Massage System: TAM series

### Applied Standards:

EN 60335-1:2012/A15:2021

EN 60335-2-103:2015

EN 60204-1:2018

EN ISO 12100:2010

Jason Lin / Deputy Managing Director



Stamp:

Date: 06 May. 2022