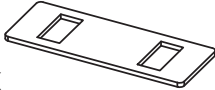
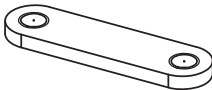
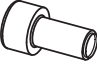
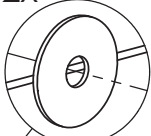


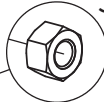
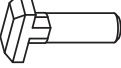

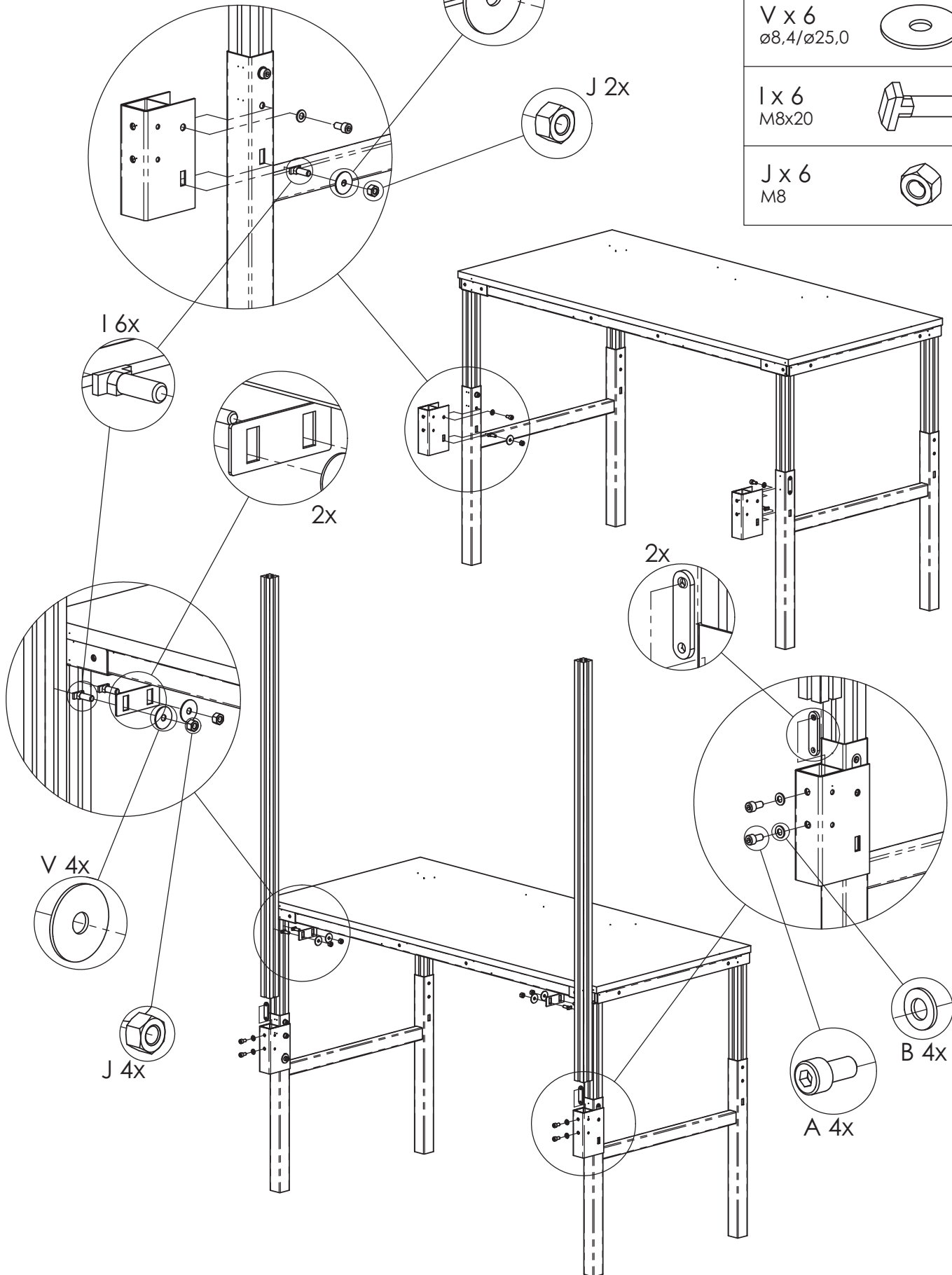
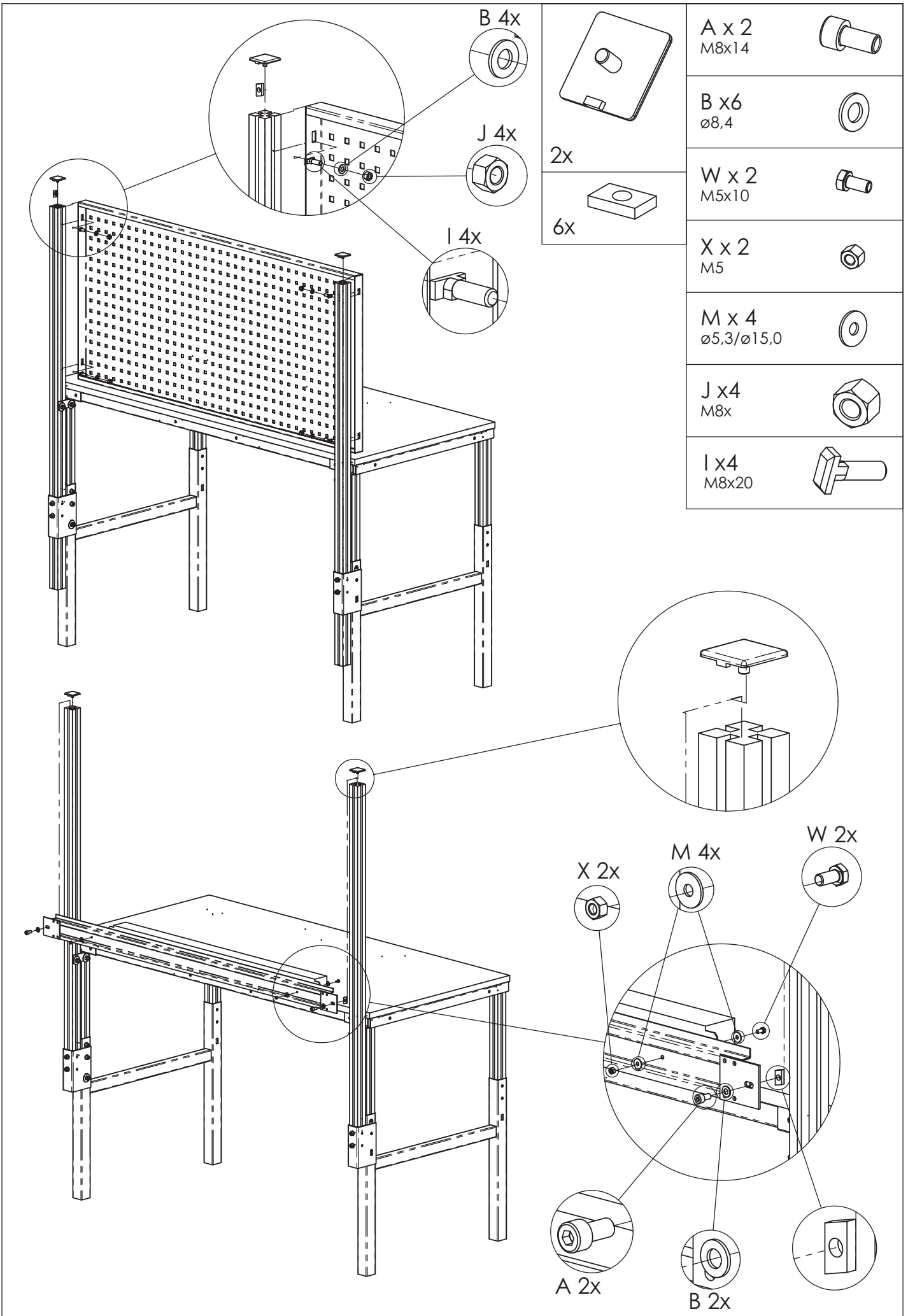
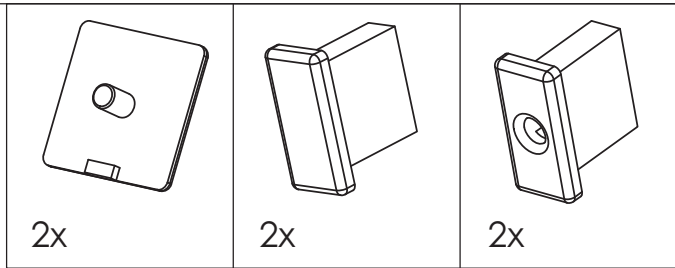


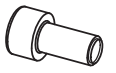
| | | |
|--|---|---|
| 2 x  | 2 x  | A x 4 M8x14  |
| V 2x  | | B x 4 ø8,4  |
| | | V x 6 ø8,4/ø25,0  |
| J 2x  | | I x 6 M8x20  |
| | | J x 6 M8  |







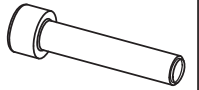
A x 2
M8x14



B x 4
ø8,4



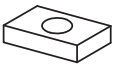
F x 2
M8x40



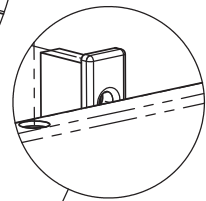
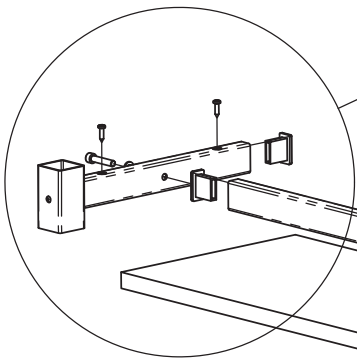
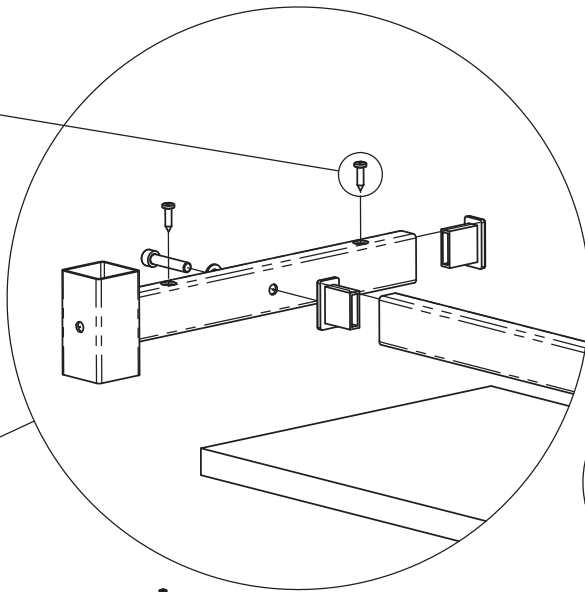
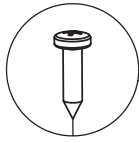
G x 5
5x20



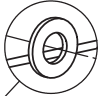
2x



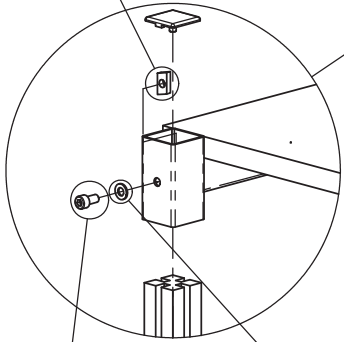
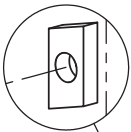
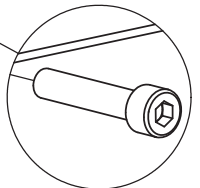
G 5x



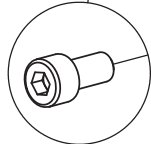
B 2x



F 2x



A 2x



B 2x

