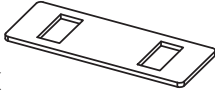
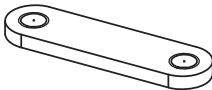
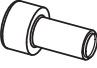
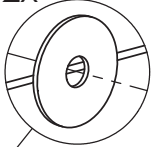


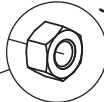
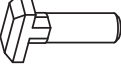

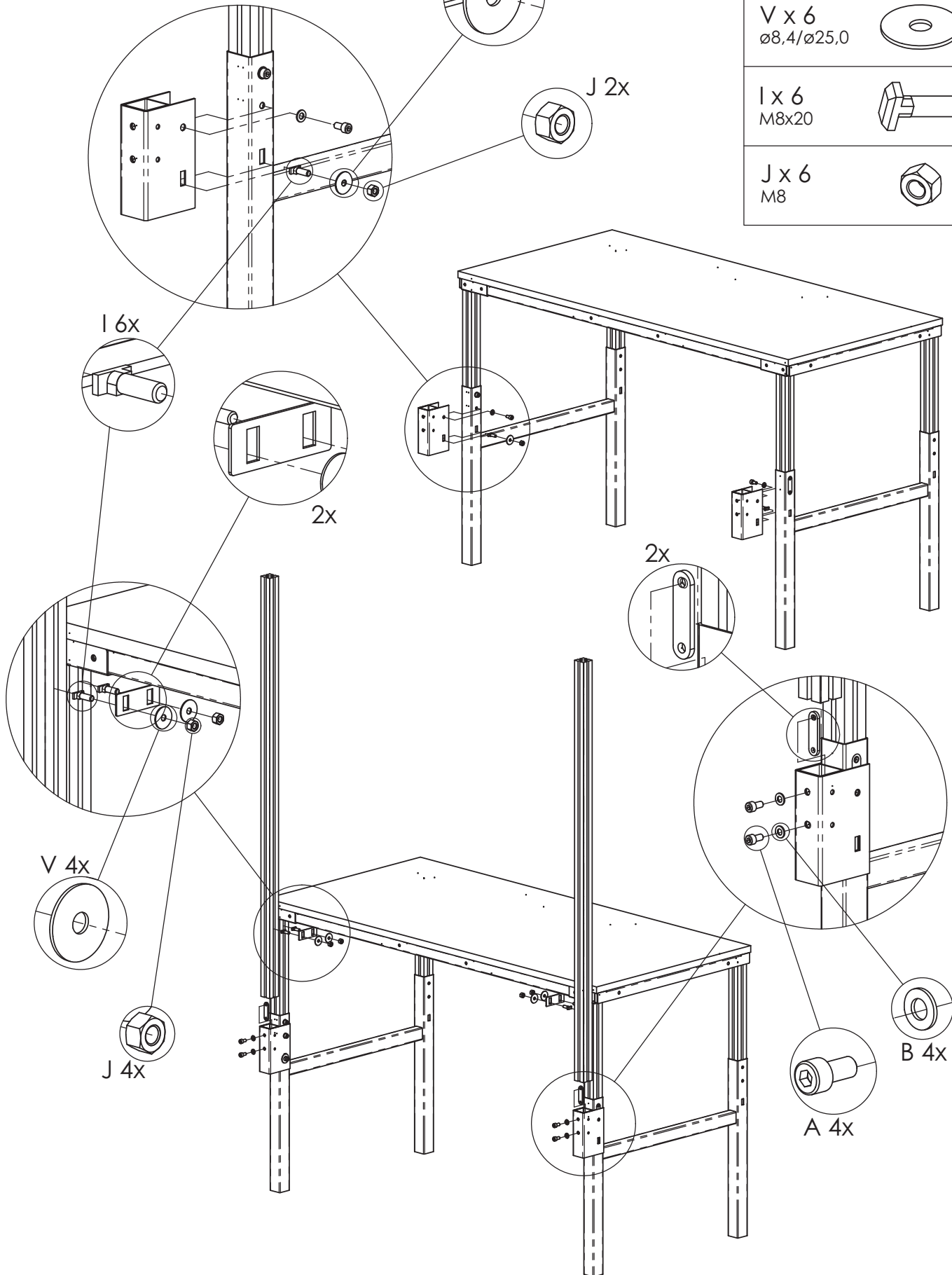
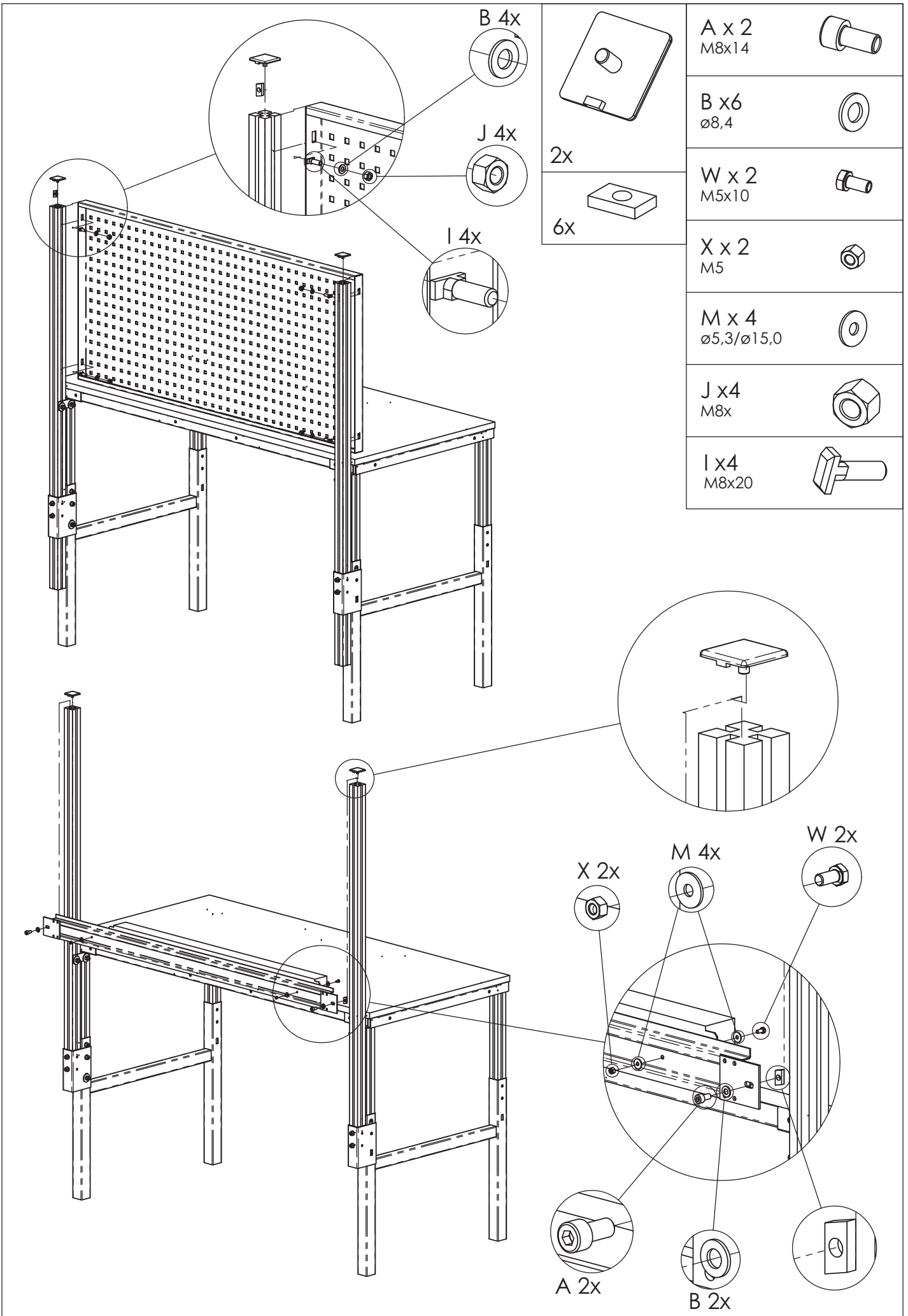
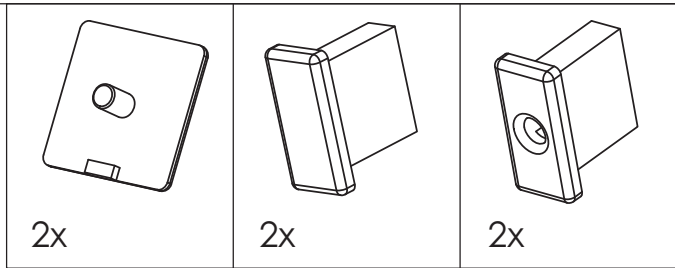


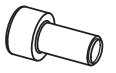
2 x 	2 x 	A x 4 M8x14 
V 2x 		B x 4 ø8,4 
		V x 6 ø8,4/ø25,0 
J 2x 		I x 6 M8x20 
		J x 6 M8 







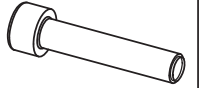
A x 2
M8x14



B x 4
ø8,4



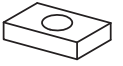
F x 2
M8x40



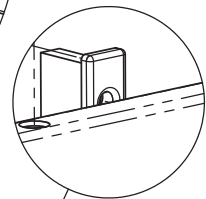
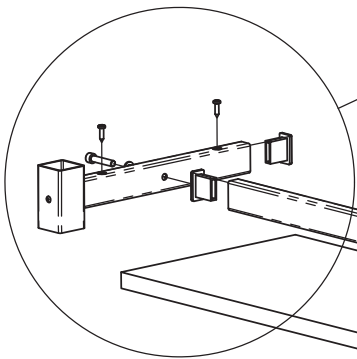
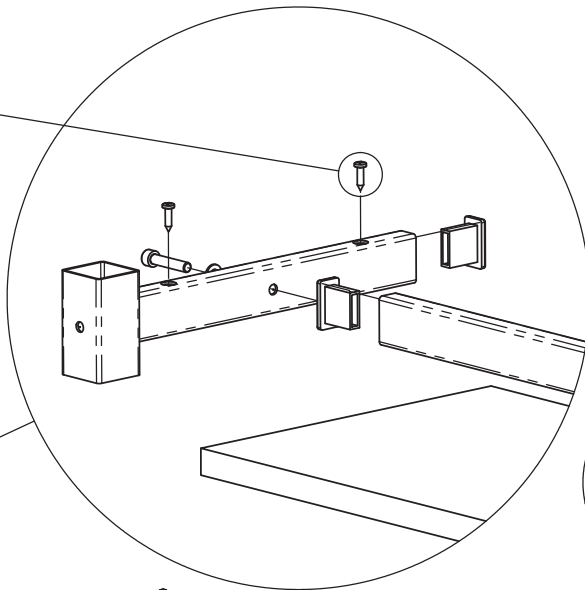
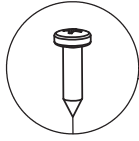
G x 5
5x20



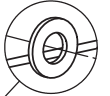
2x



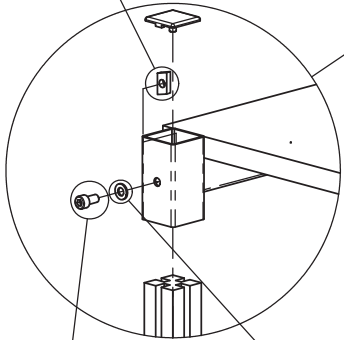
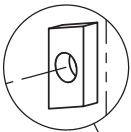
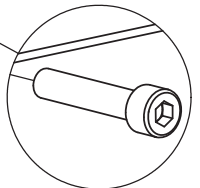
G 5x



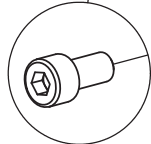
B 2x



F 2x



A 2x



B 2x

