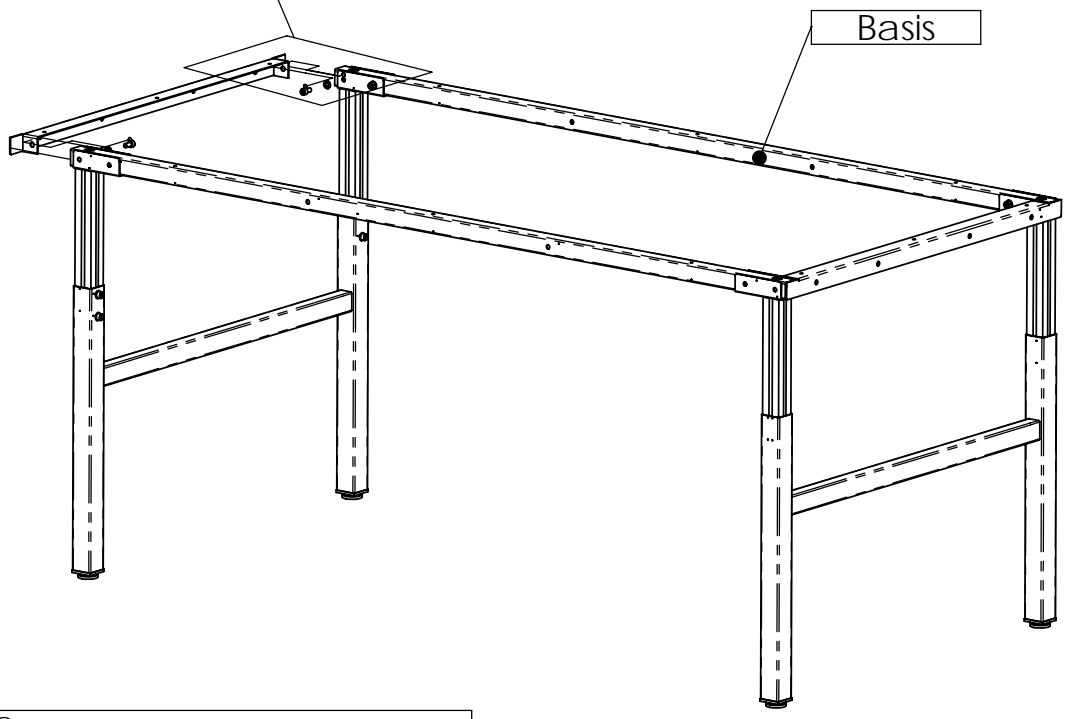
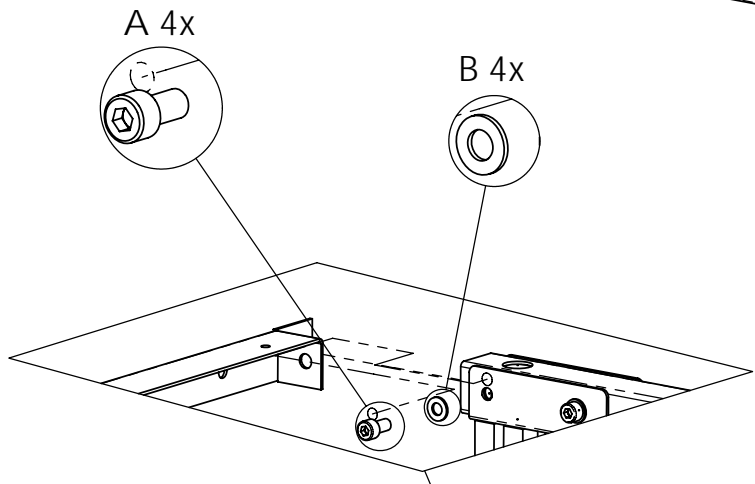
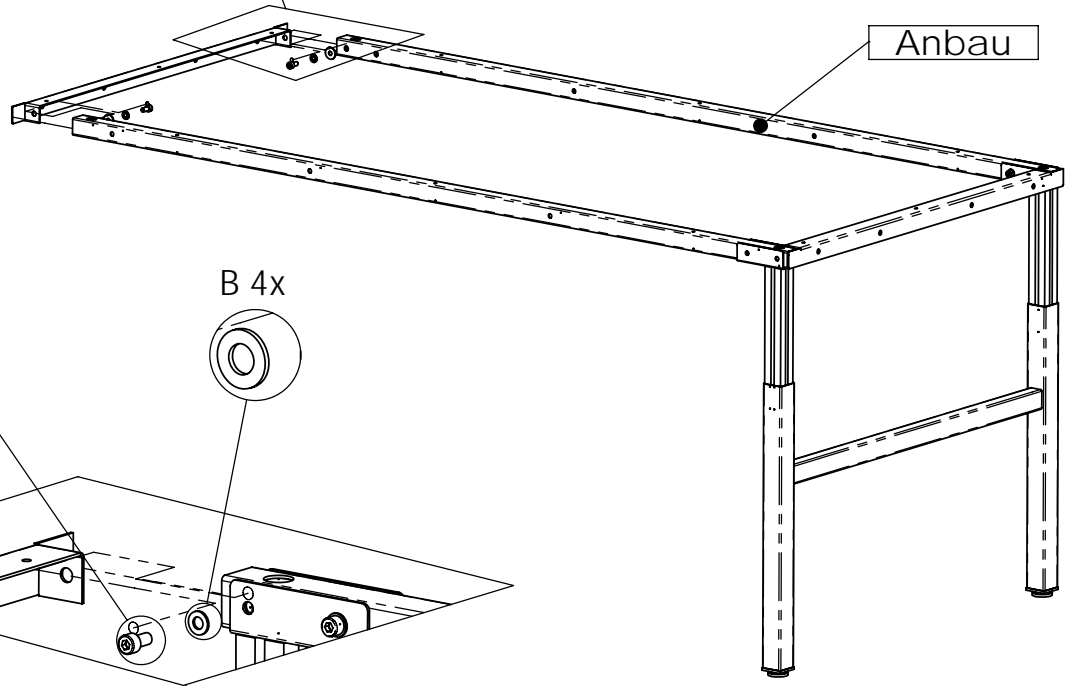
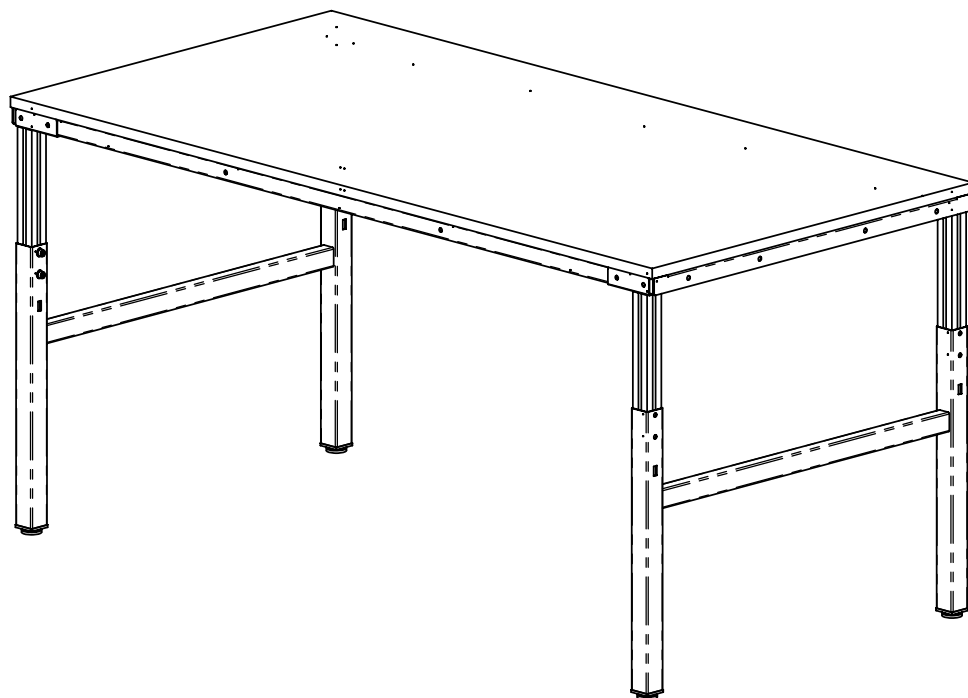
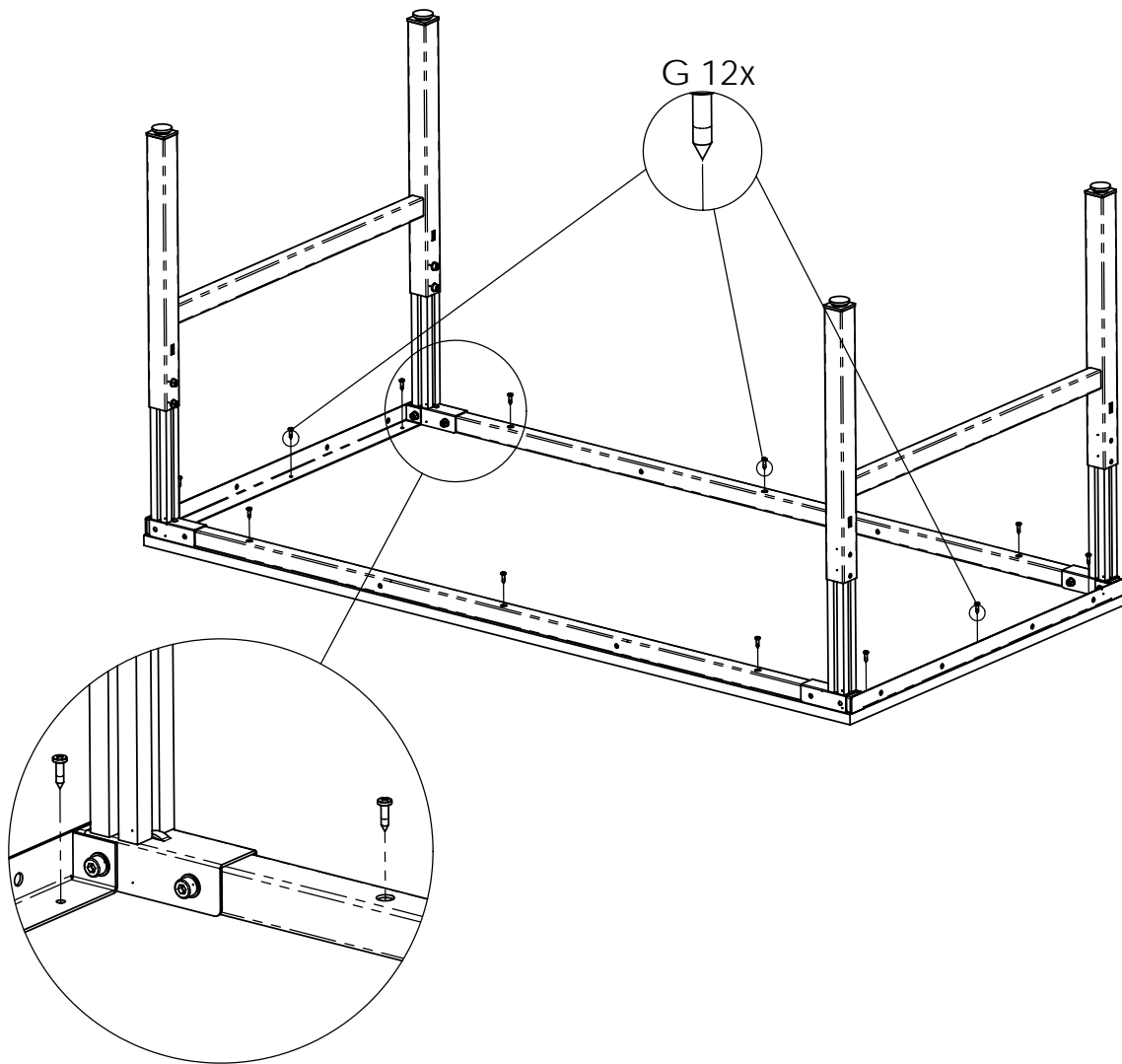
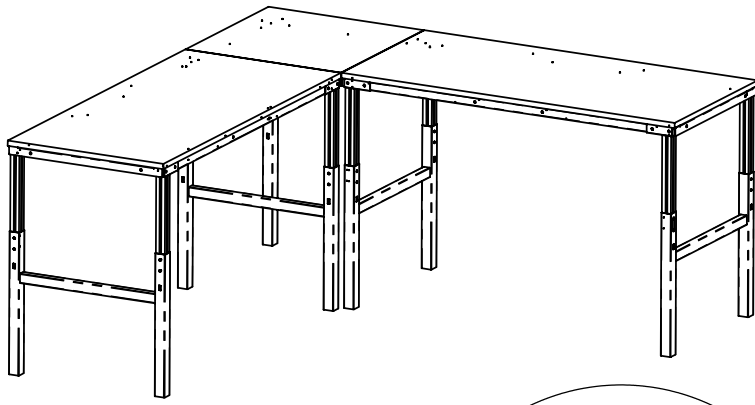


A x 8 M8x14	
B x 8 M8x14	
Y x 2 M8x14	

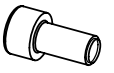


G x 12
5x20





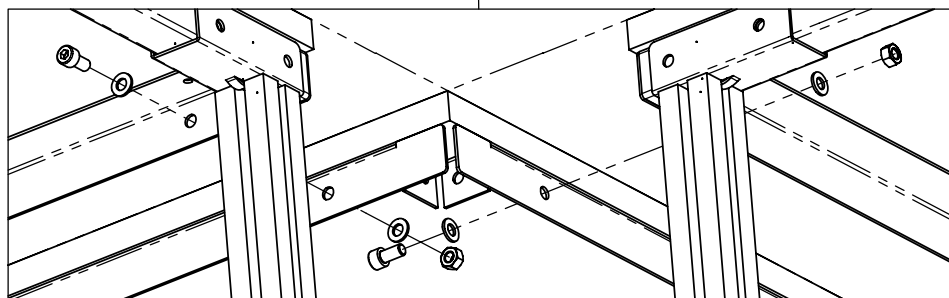
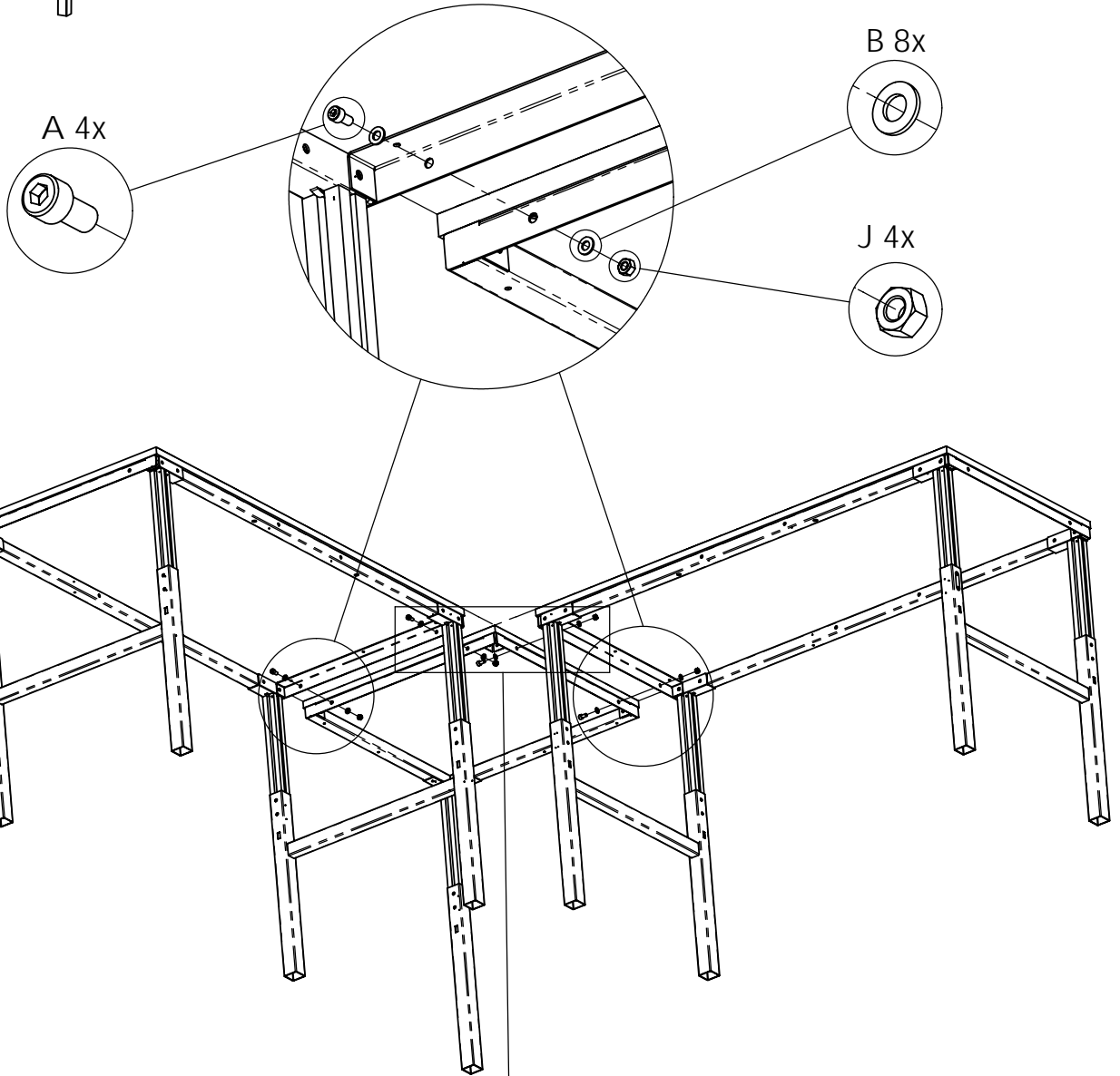
A x 4
M8x14

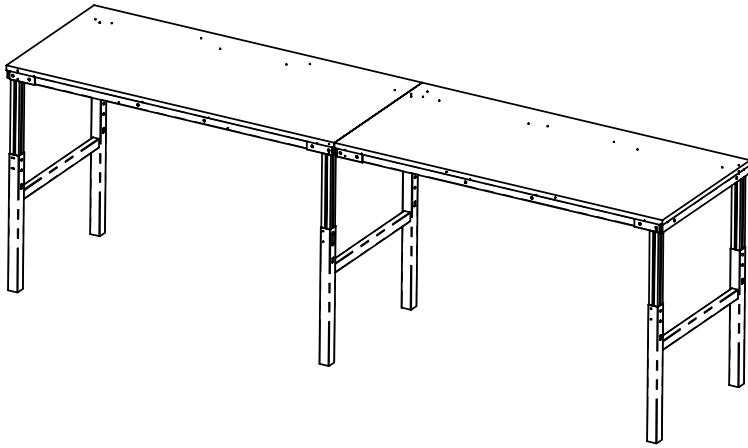


B x 8
ø8,4

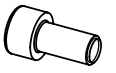


J x 4
M8





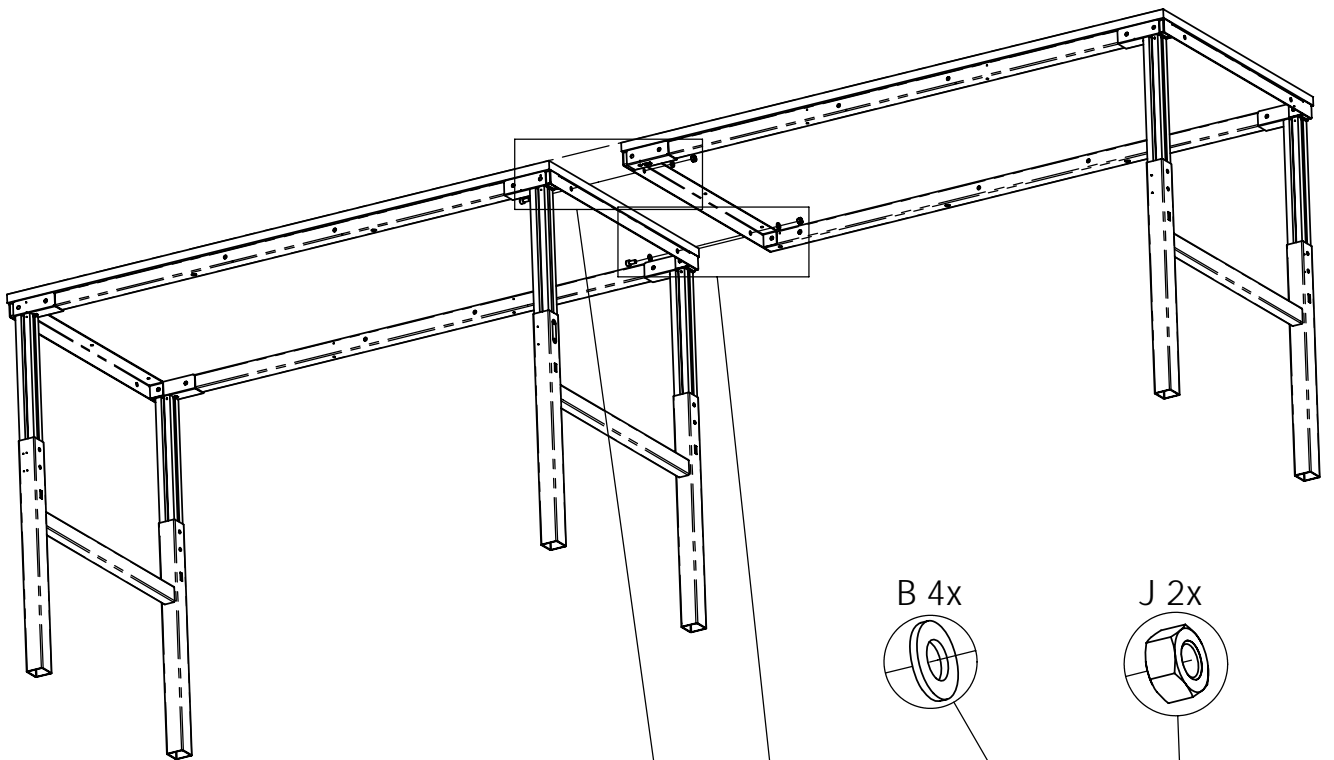
A x 2
M8x14



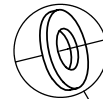
B x 4
ø8,4



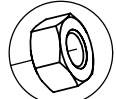
J x 2
M8



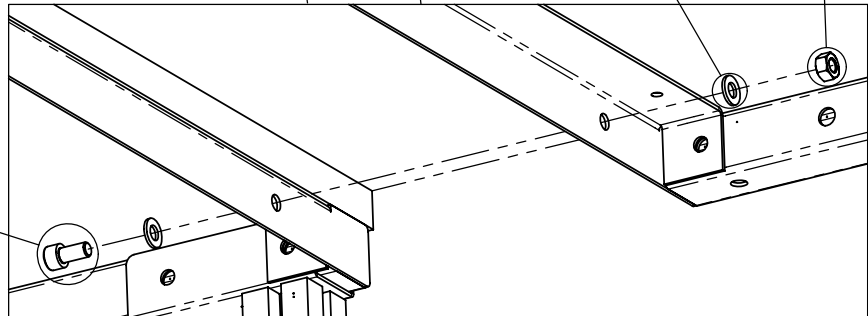
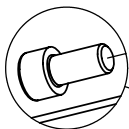
B 4x

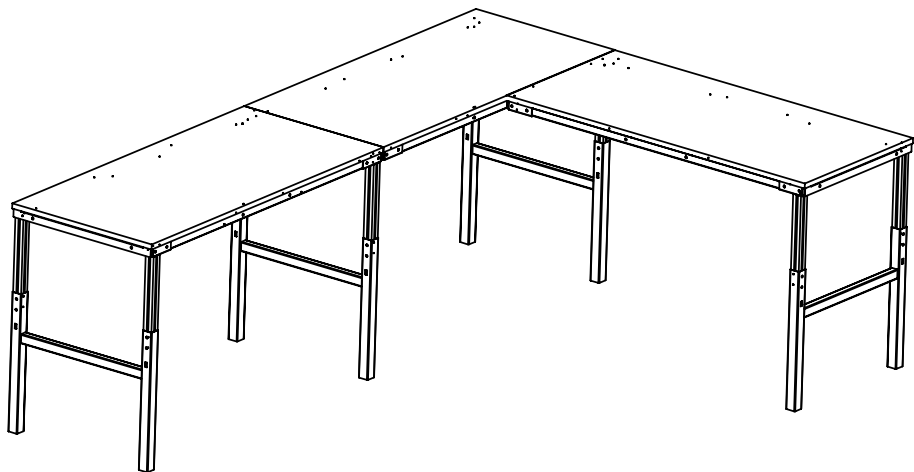




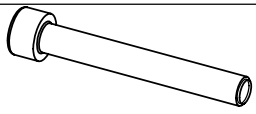
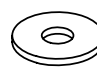
J 2x

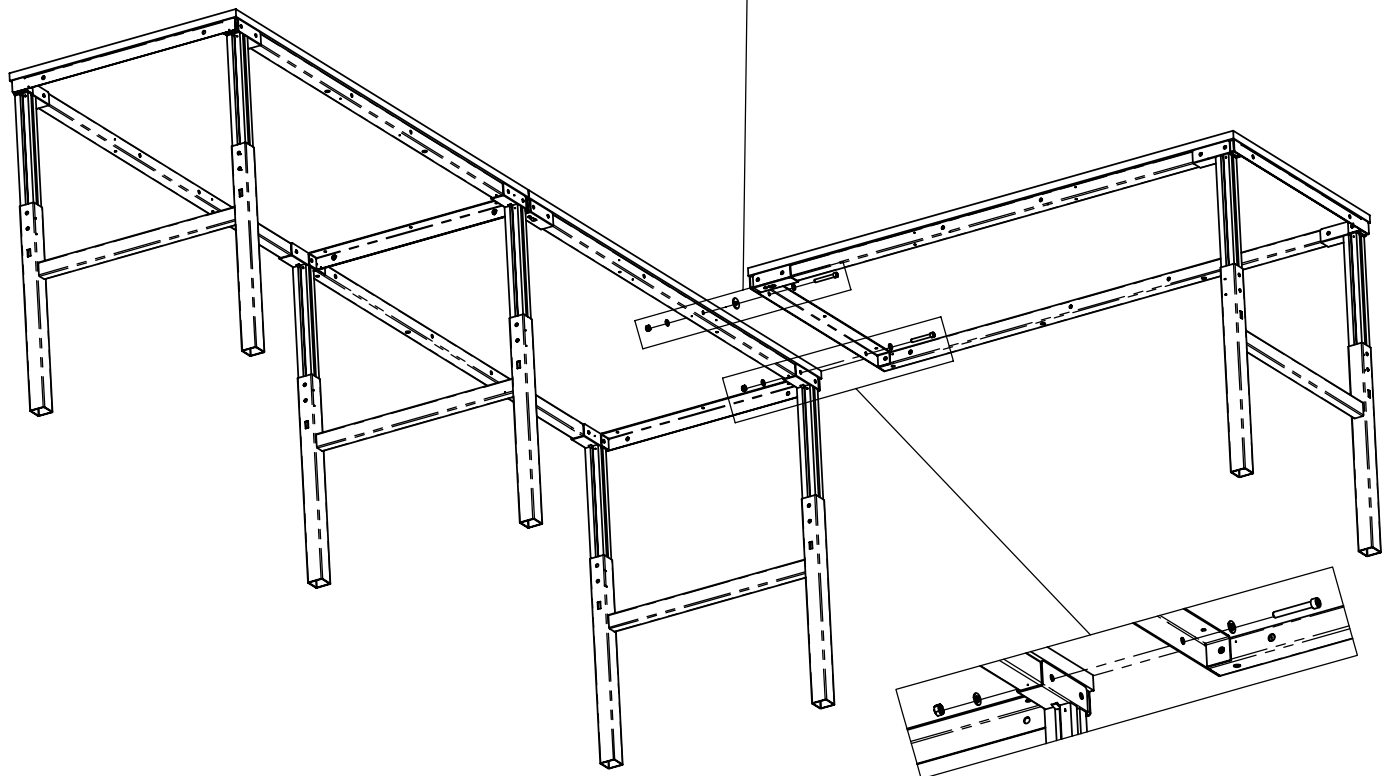
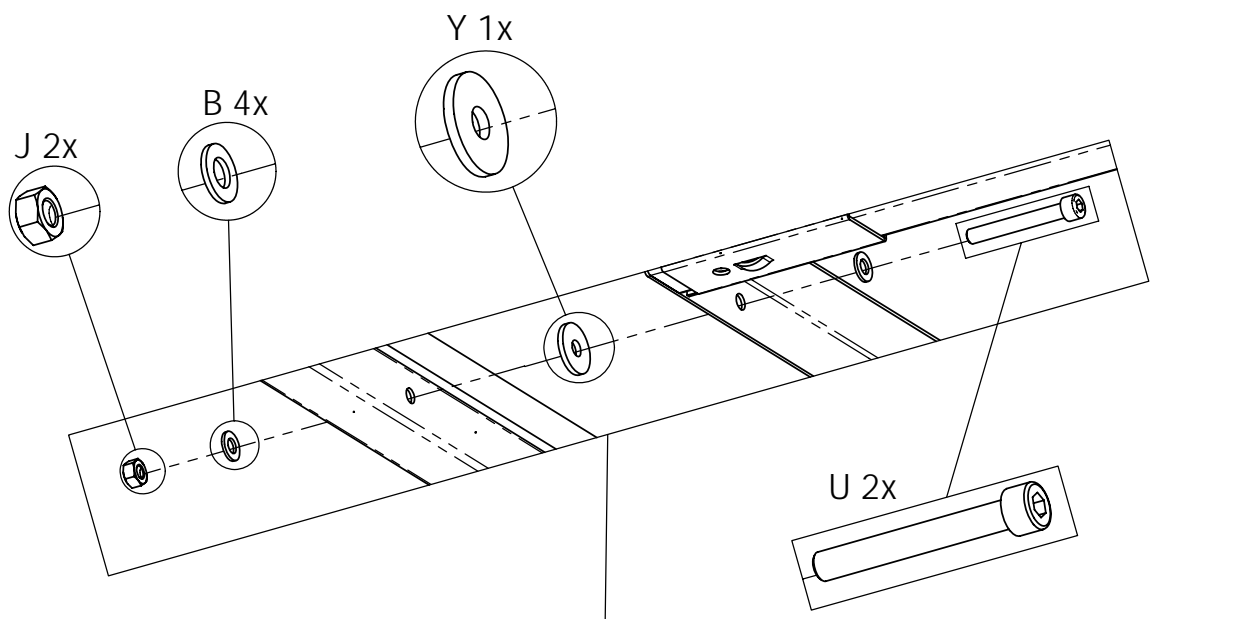


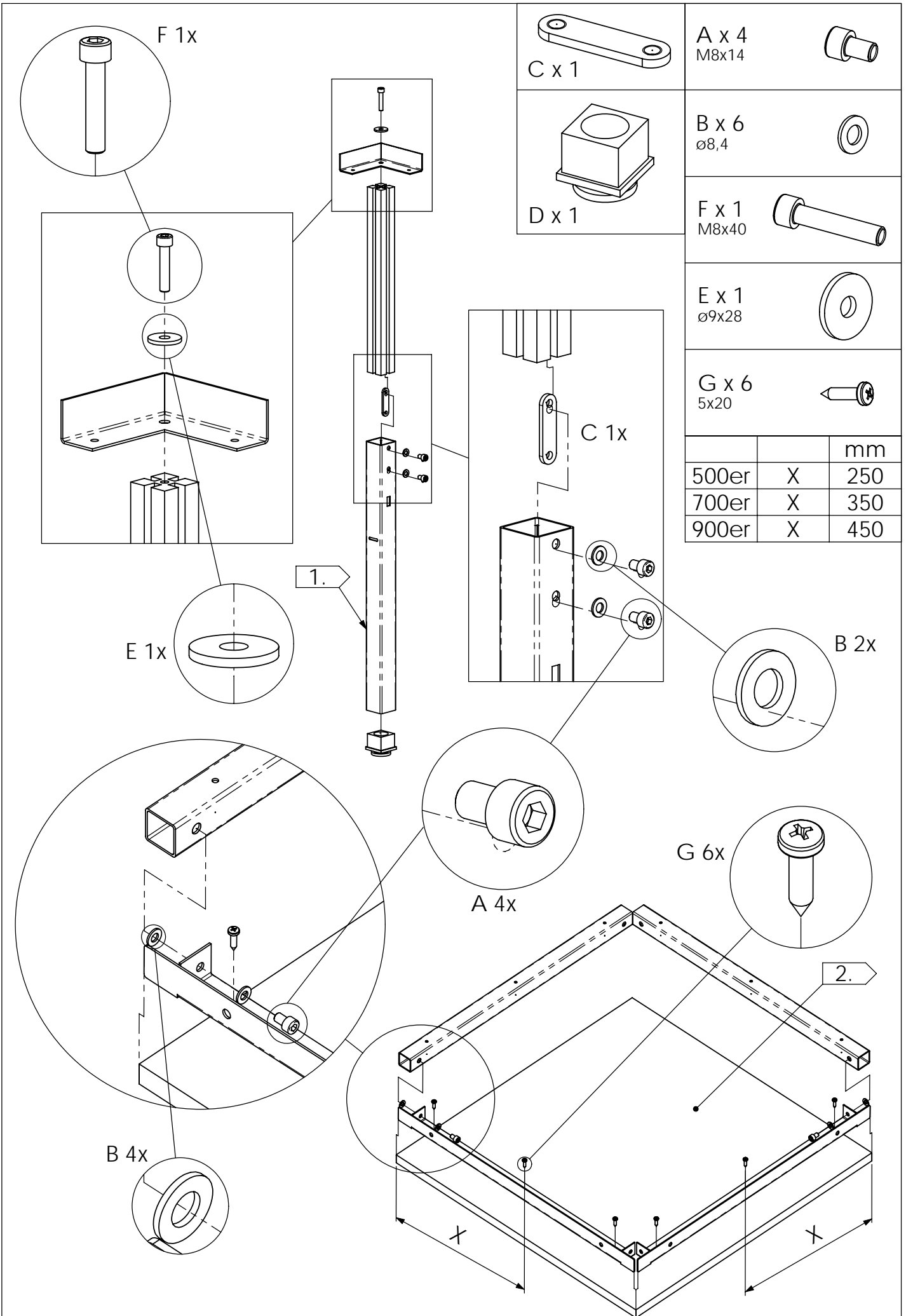
A 2x





B x 4 ø8.4	
J x 2 M8	
U x 2 M8x60	
Y x 1 ø8.4x24	





H x 6
5x50

