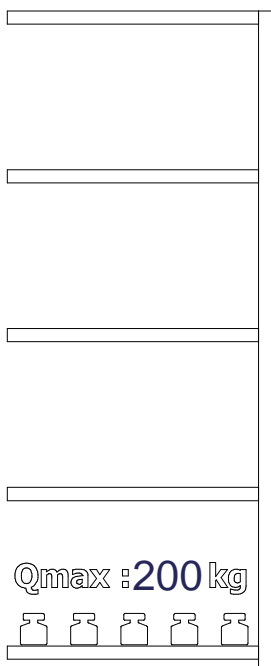


| | A=1508mm | A=1820mm | A=1974mm | A=2522mm |
|------------------|----------|----------|----------|----------|
| ΣQ_{max} | 800 kg | 1000 kg | 1200 kg | 1400 kg |
| A | 4x | 4x | 4x | 4x |
| B | 8x | 10x | 12x | 14x |
| C | 8x | 10x | 12x | 14x |
| D | 4x | 5x | 6x | 7x |
| E | 4x | 4x | 4x | 4x |
| F,G | 8x | 8x | 8x | 8x |
| H | 2x | 2x | 2x | 2x |
| J | 8x | 10x | 12x | 14x |



Trestles, a.s.
Na Skotnici 1168
735 71 Detmarovice
CZ

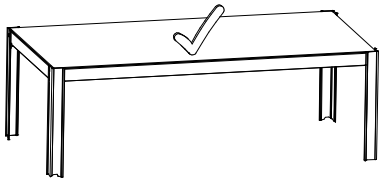


| | A=1508mm | A=1820mm | A=1976mm | A=2522mm |
|------------------|----------|----------|----------|----------|
| ΣQ_{max} | 800 kg | 1000 kg | 1200 kg | 1400 kg |
| A | 2x | 2x | 2x | 2x |
| B | 8x | 10x | 12x | 14x |
| C | 8x | 10x | 12x | 14x |
| D | 4x | 5x | 6x | 7x |
| E | 2x | 2x | 2x | 2x |
| F,G | 4x | 4x | 4x | 4x |
| H | 1x | 1x | 1x | 1x |
| J | 8x | 10x | 12x | 14x |



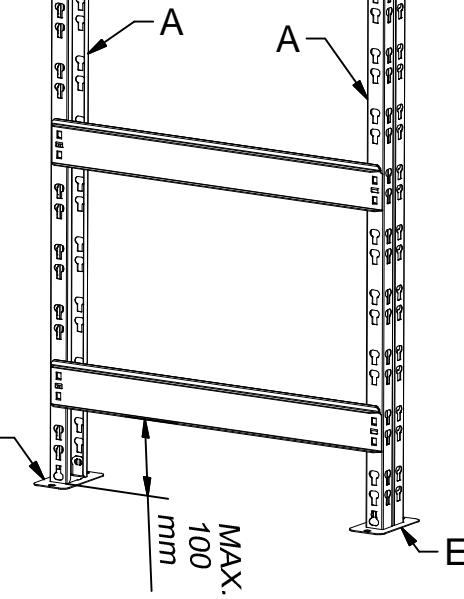
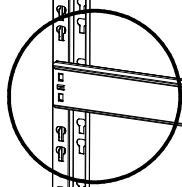
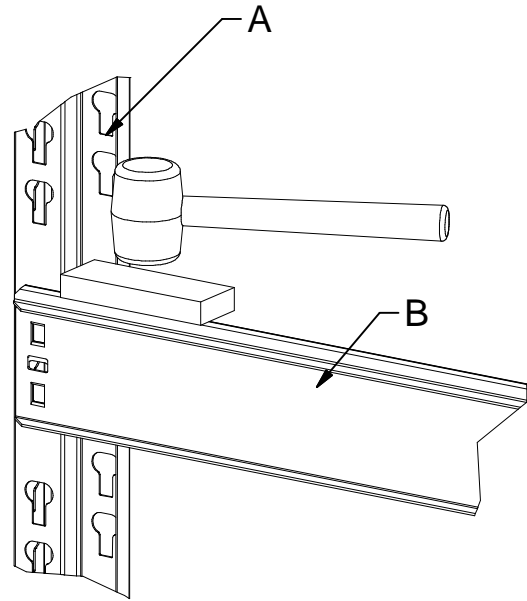
1

cca
0 mm

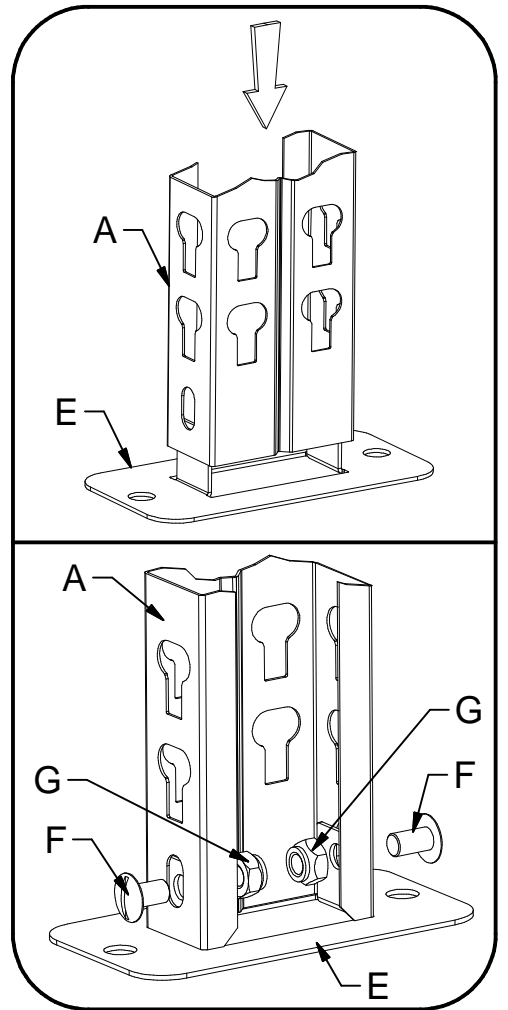


B
MIN. 3x
MAX. 9x

B
MIN. 3x
MAX. 9x



MAX.
100
mm



MAX.
100
mm

2.



