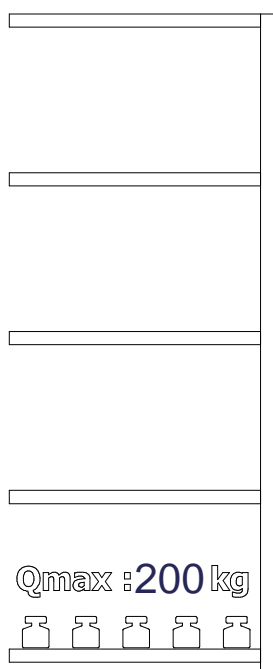


	A=1508mm	A=1820mm	A=1974mm	A=2522mm
$\Sigma Q_{max}$	800 kg	1000 kg	1200 kg	1400 kg
A	4x	4x	4x	4x
B	8x	10x	12x	14x
C	8x	10x	12x	14x
D	4x	5x	6x	7x
E	4x	4x	4x	4x
F,G	8x	8x	8x	8x
H	2x	2x	2x	2x
J	8x	10x	12x	14x



Trestles, a.s.  
Na Skotnici 1168  
735 71 Detmarovice  
CZ

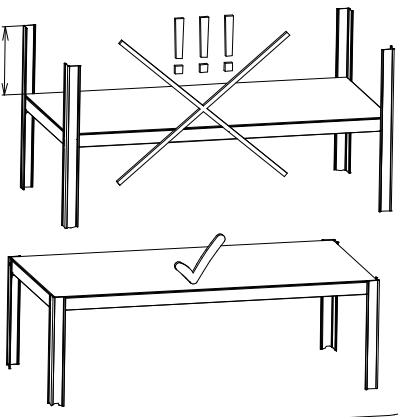


	A=1508mm	A=1820mm	A=1976mm	A=2522mm
$\Sigma Q_{max}$	800 kg	1000 kg	1200 kg	1400 kg
A	2x	2x	2x	2x
B	8x	10x	12x	14x
C	8x	10x	12x	14x
D	4x	5x	6x	7x
E	2x	2x	2x	2x
F,G	4x	4x	4x	4x
H	1x	1x	1x	1x
J	8x	10x	12x	14x



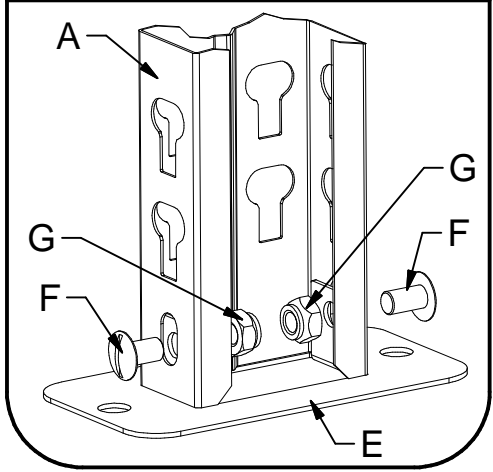
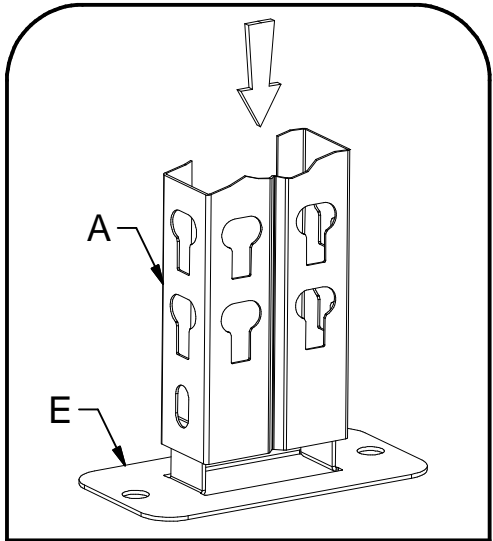
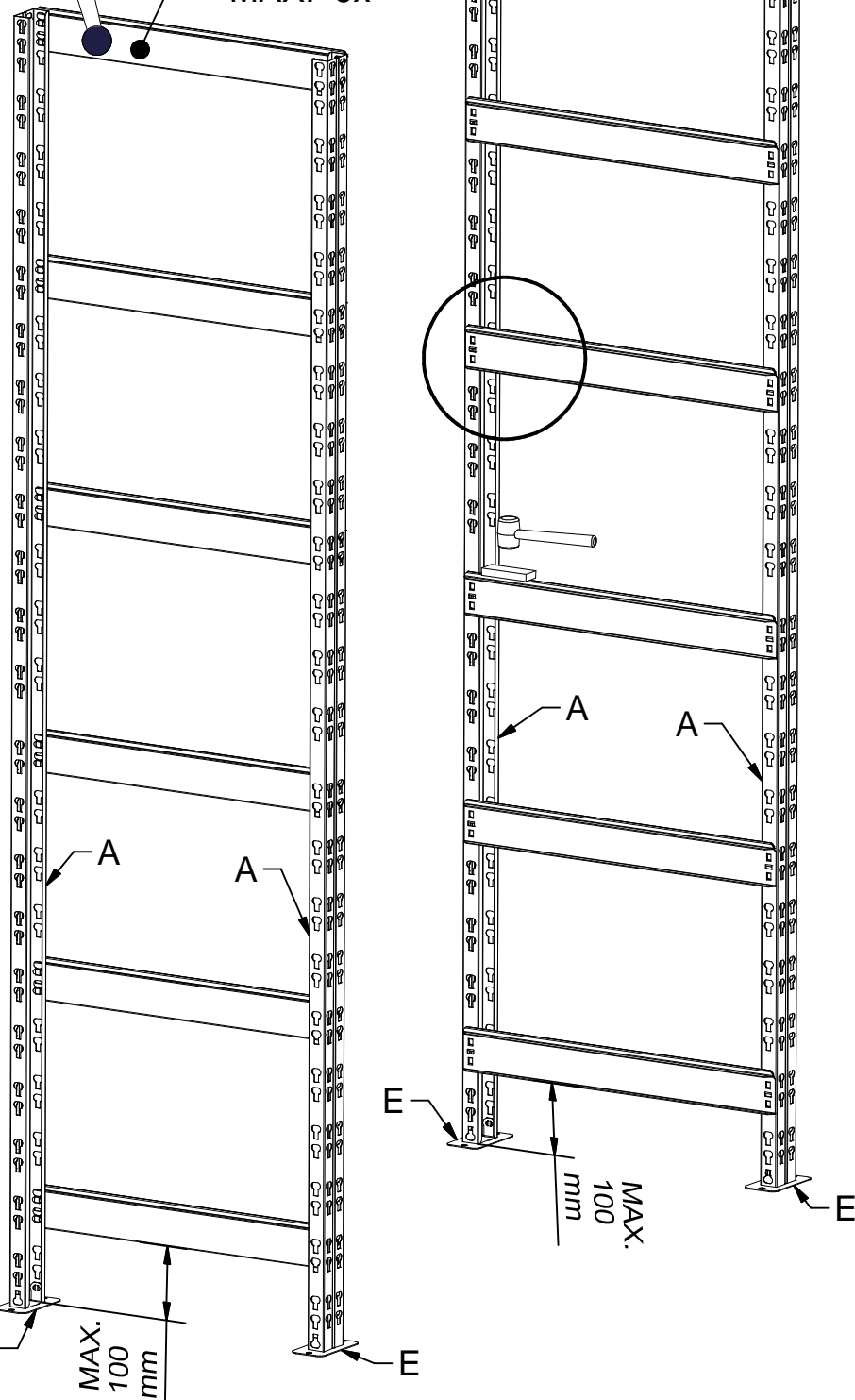
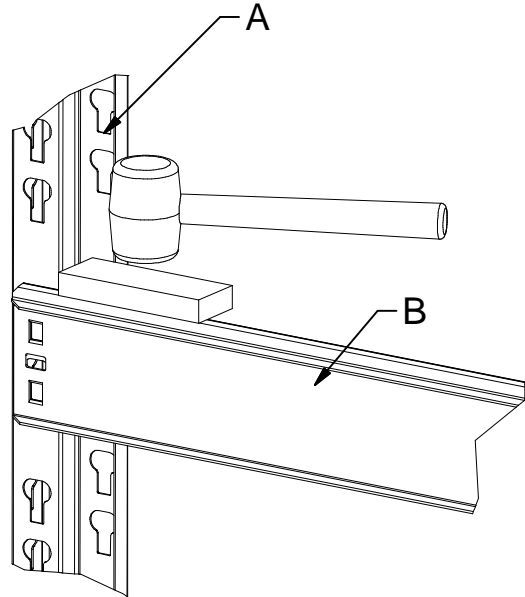
1

cca  
0 mm



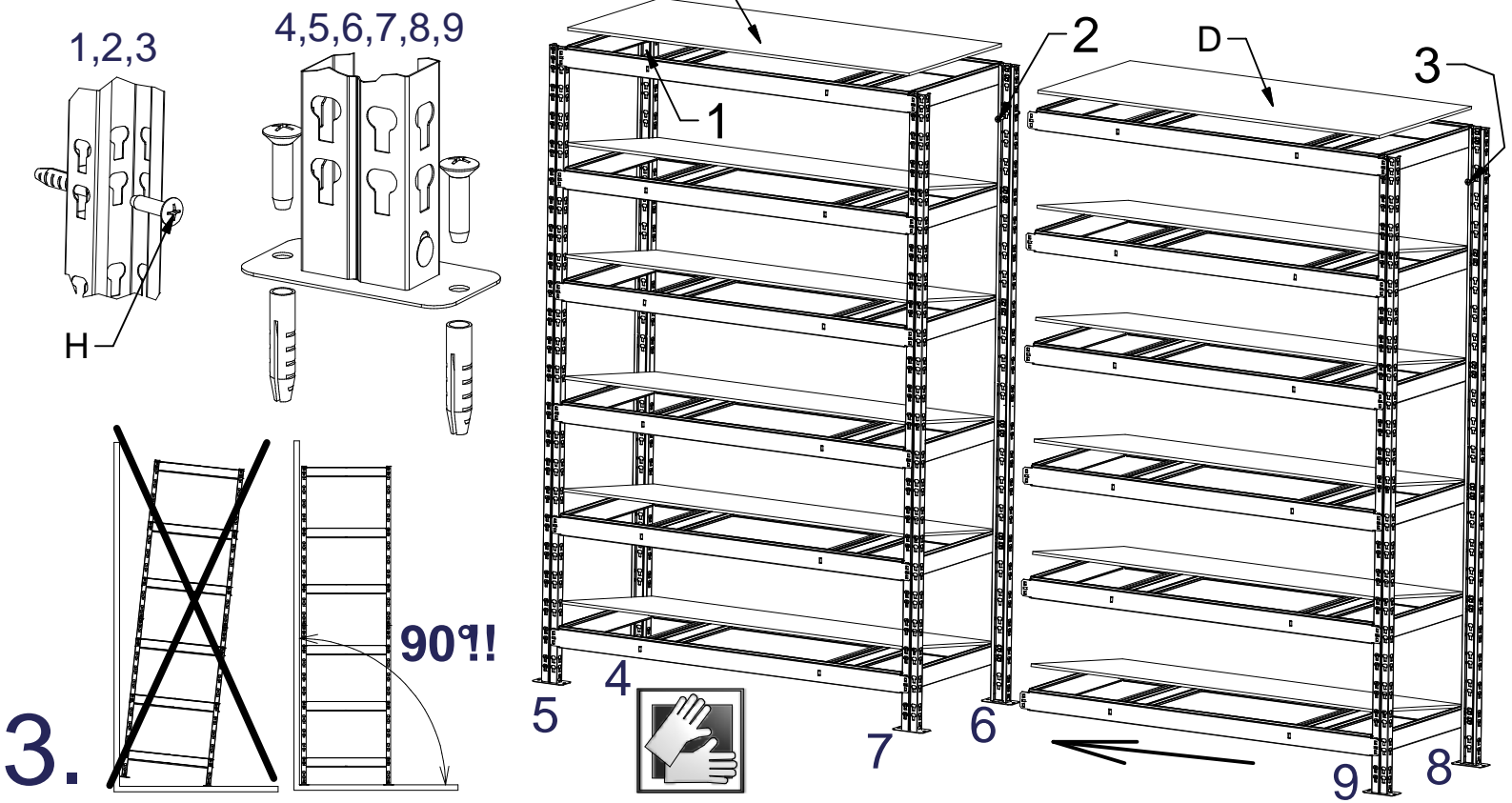
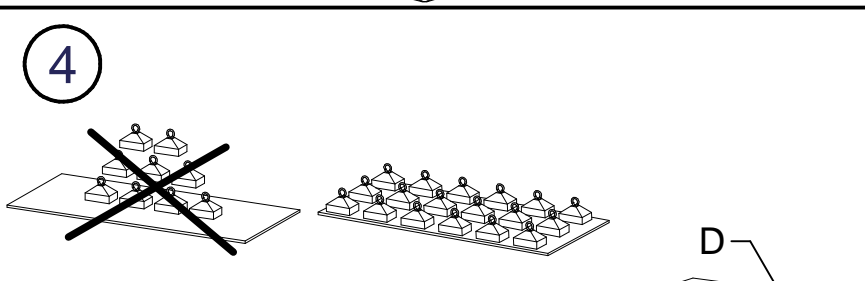
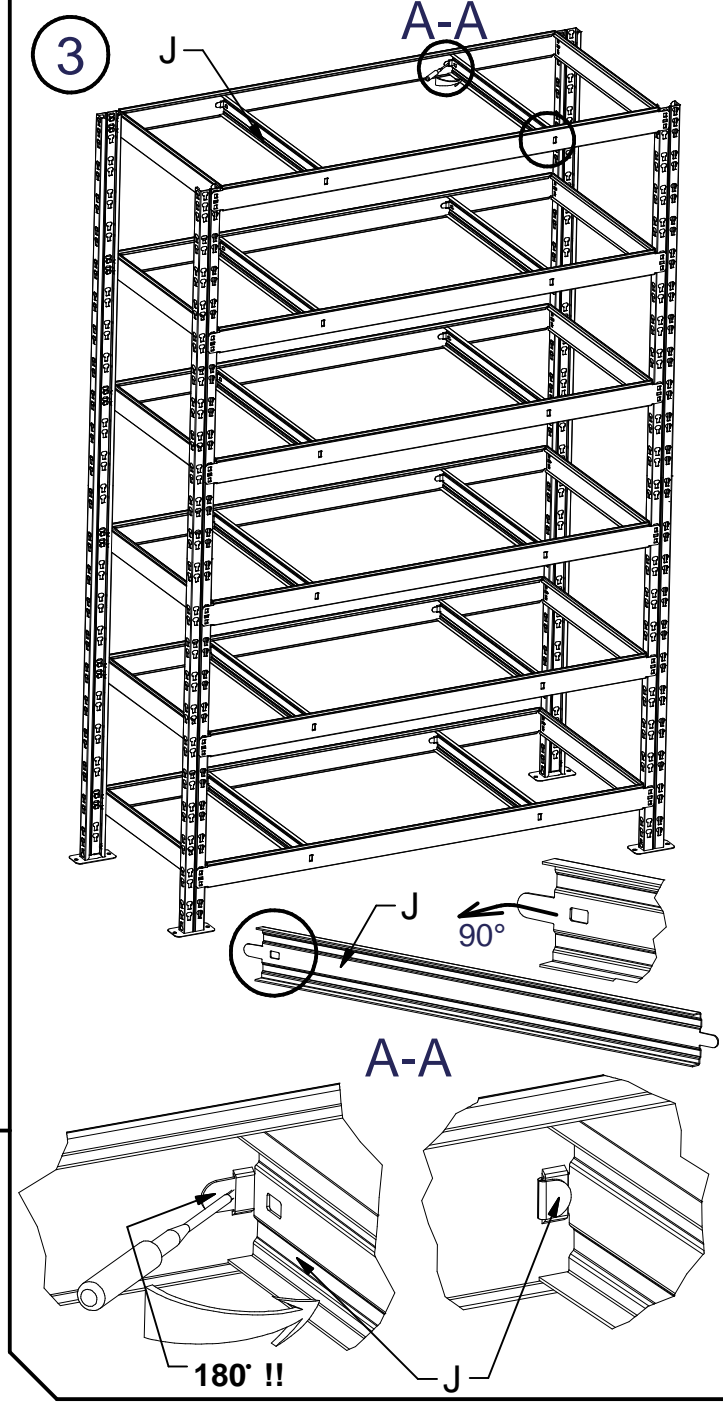
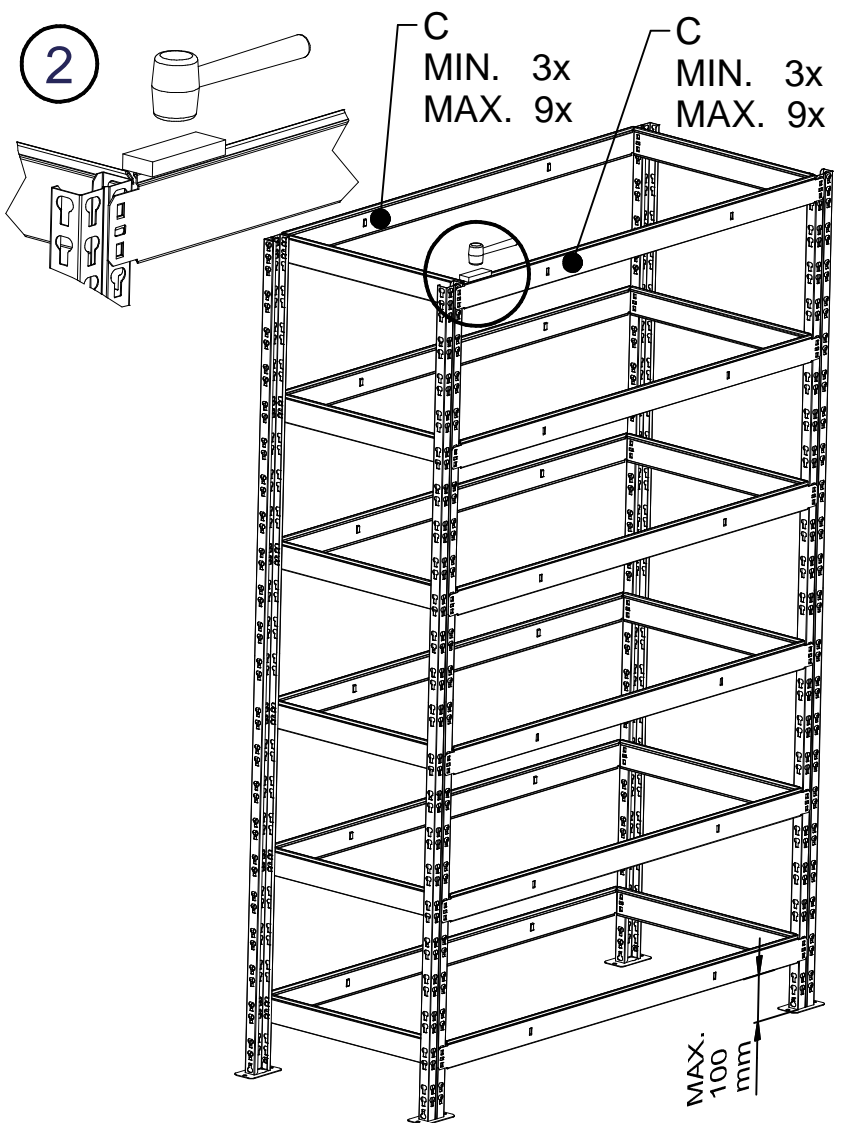
B  
MIN. 3x  
MAX. 9x

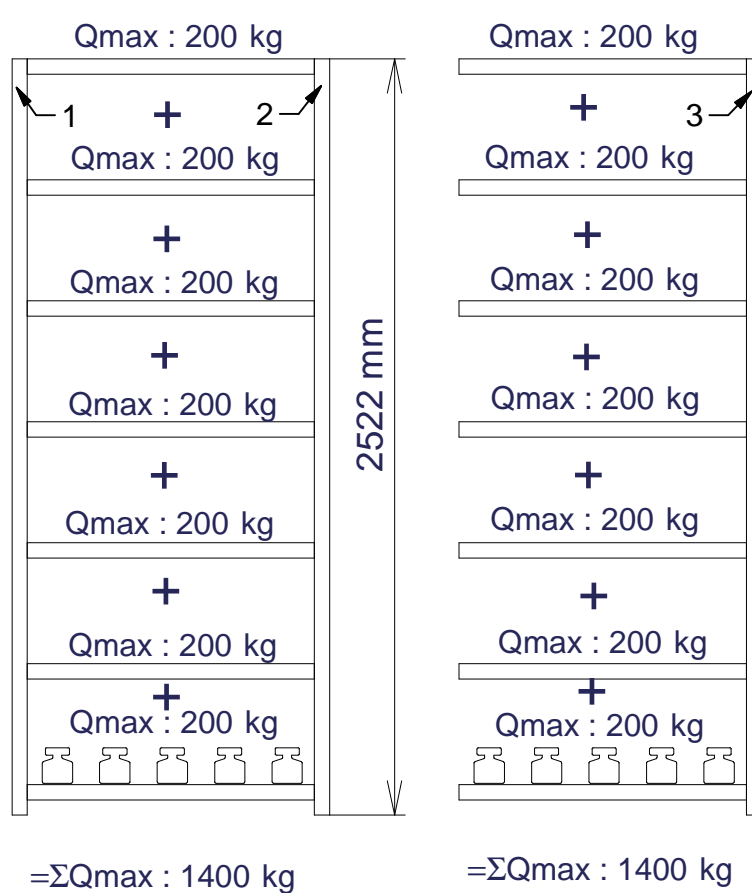
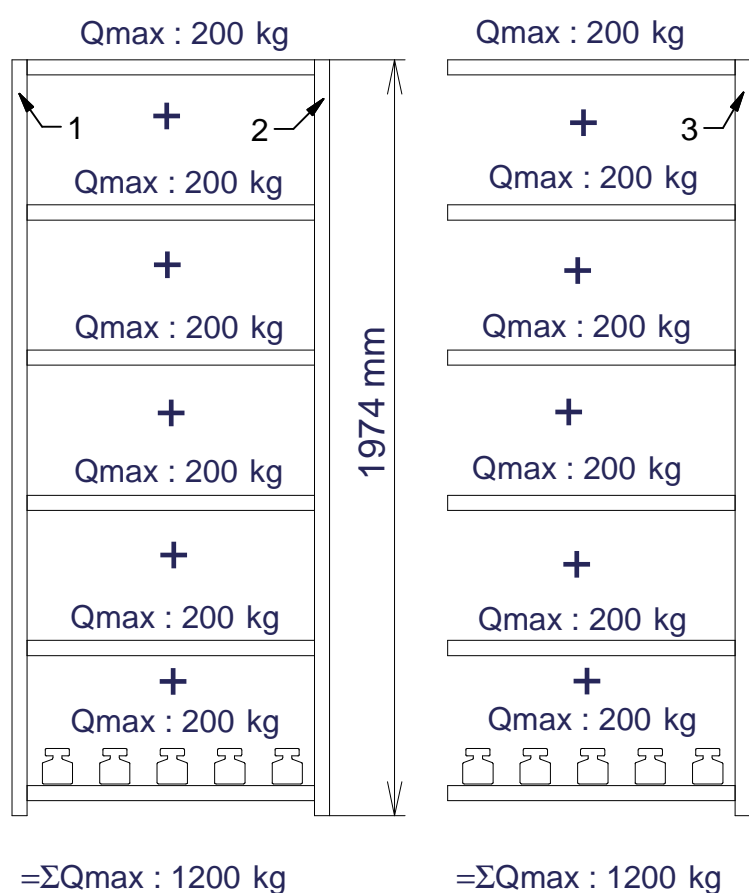
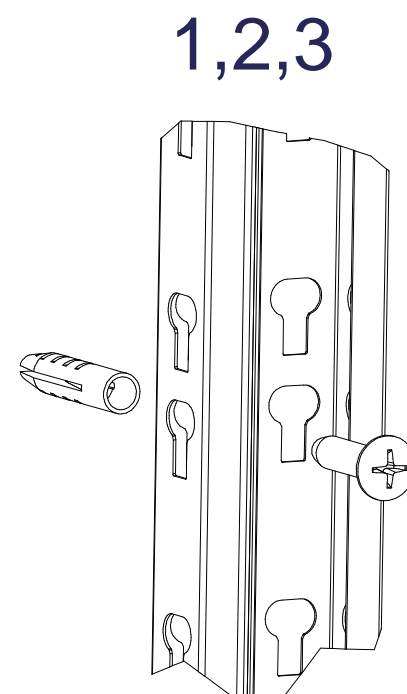
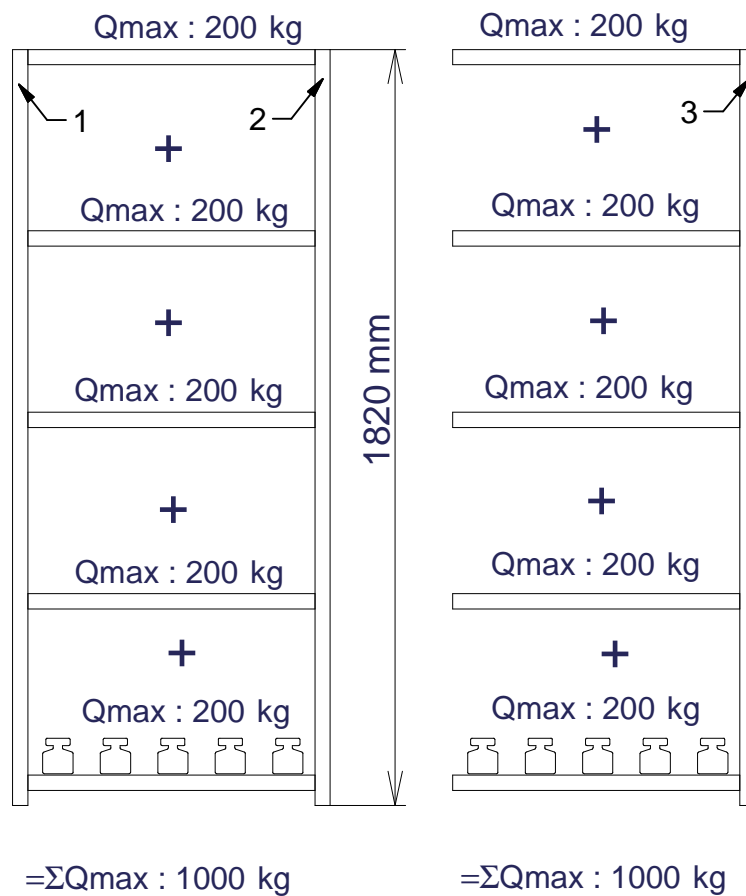
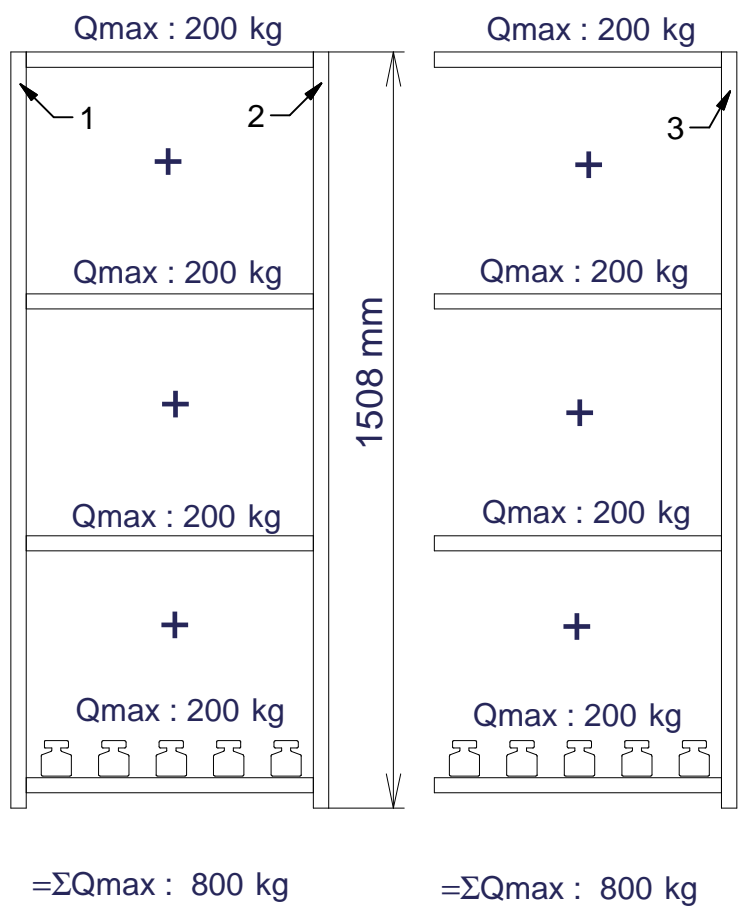
B  
MIN. 3x  
MAX. 9x



2.







MAX. 9



MIN. 3

