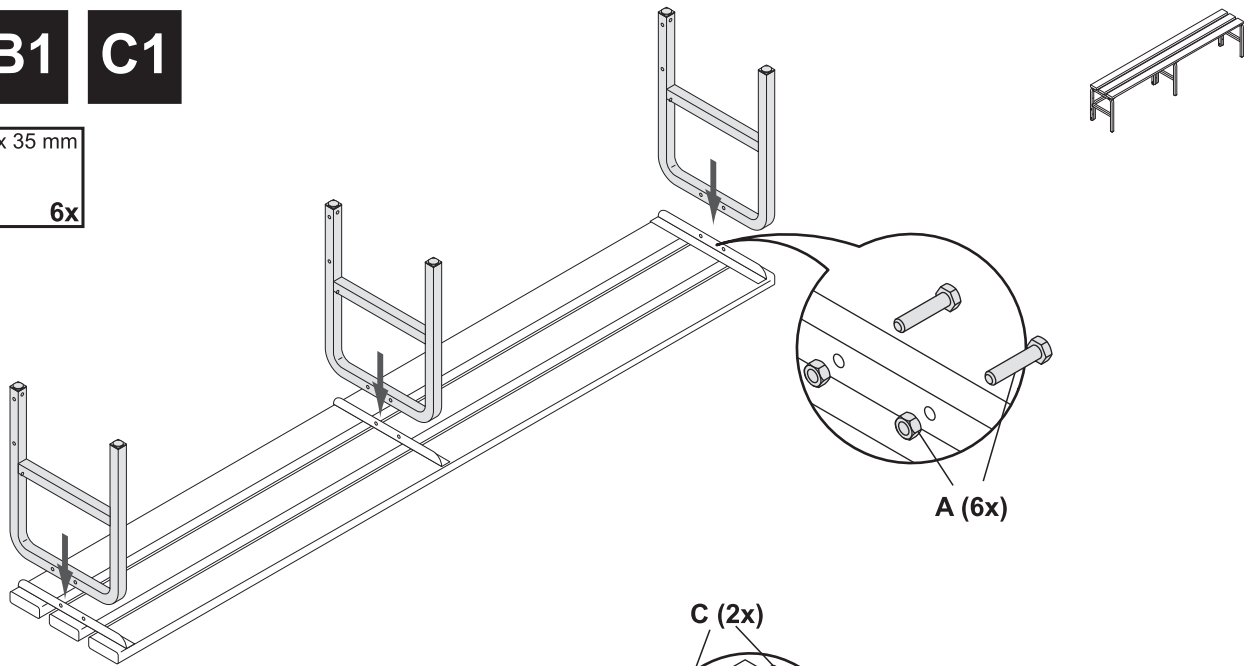


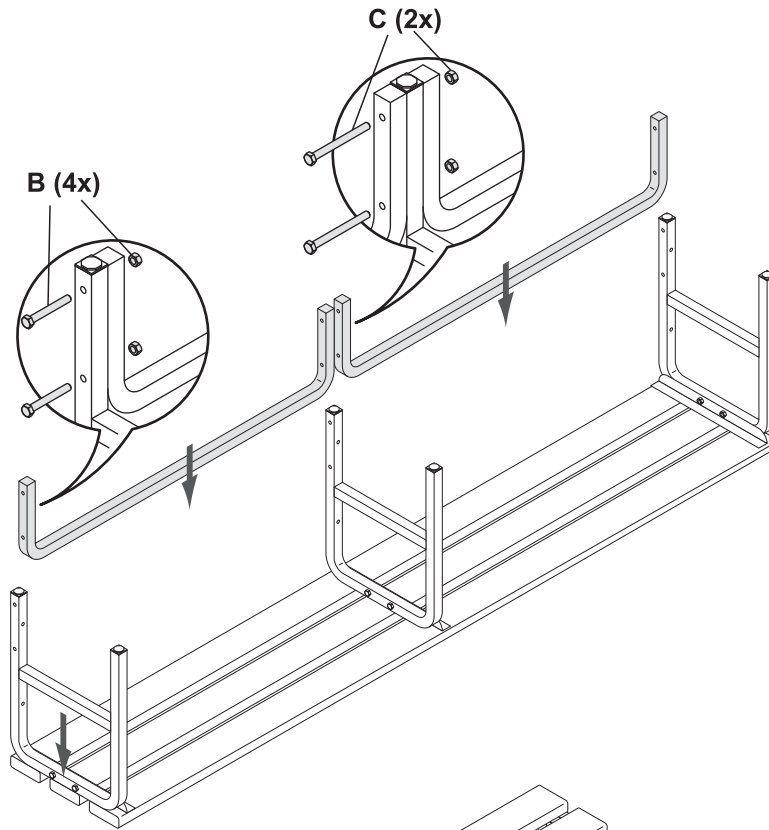
**A1 B1 C1**

**A** M8 x 35 mm  
6x

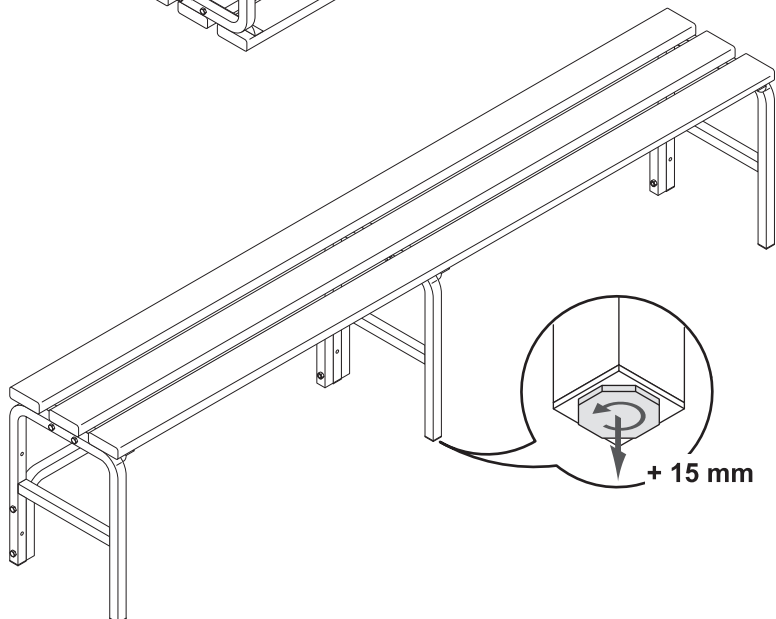


**A2 B2 C2**


**B** M8 x 60 mm  
4x  
**C** M8 x 85 mm  
2x

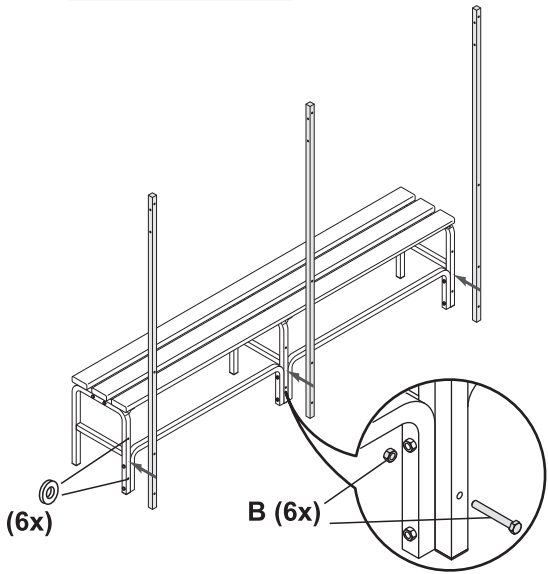


**A3 B3 C3**



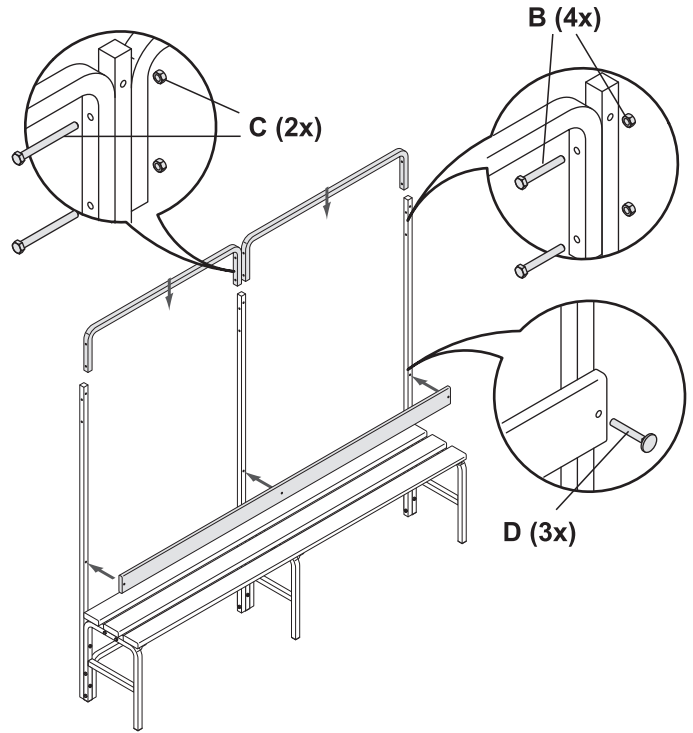
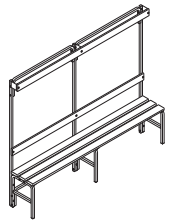
# B4

**B** M8 x 60 mm  
 6x




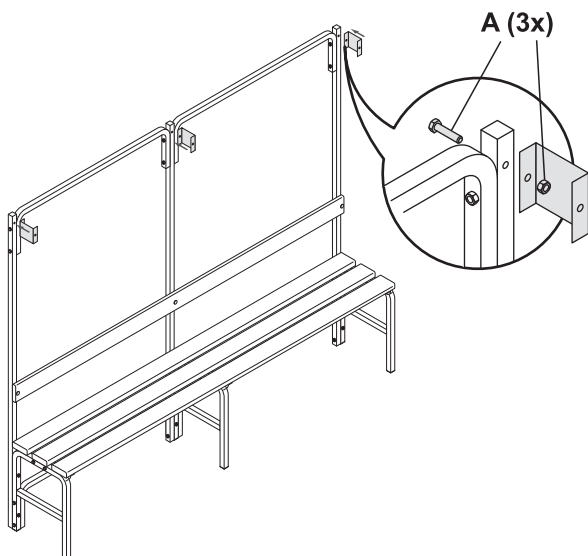
# B5

**B** M8 x 60 mm 4x  
**C** M8 x 85 mm 2x  
**D** M8 x 35 mm 3x




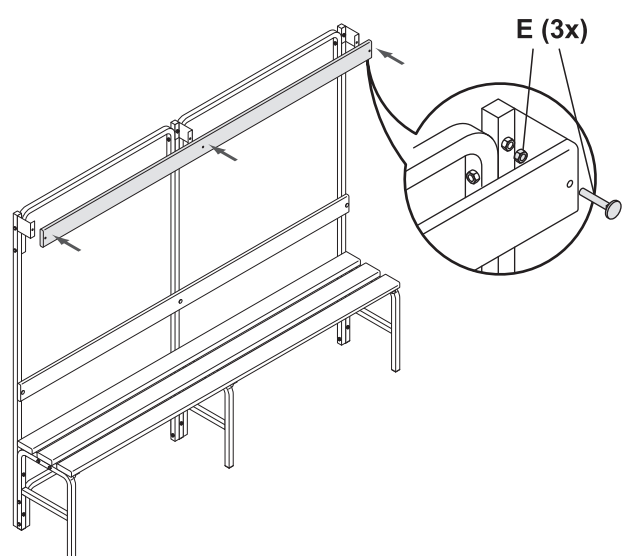
# B6

**A** M8 x 35 mm  
 3x

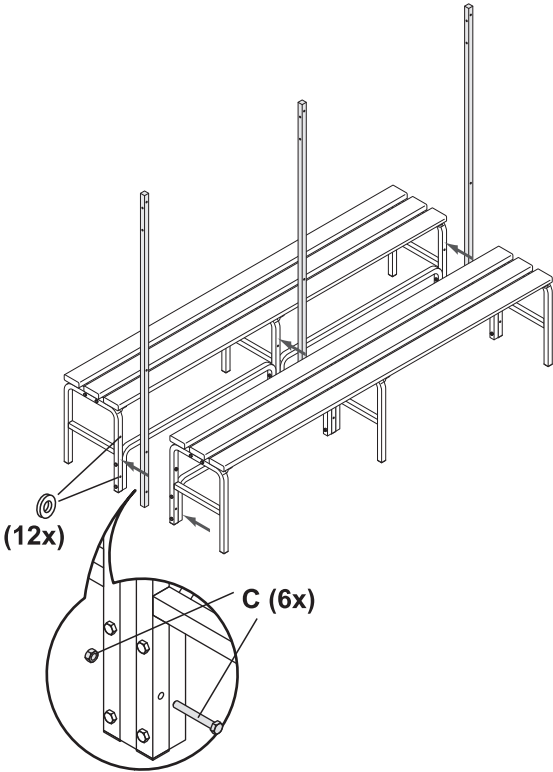
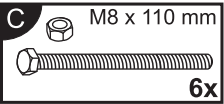


# B7

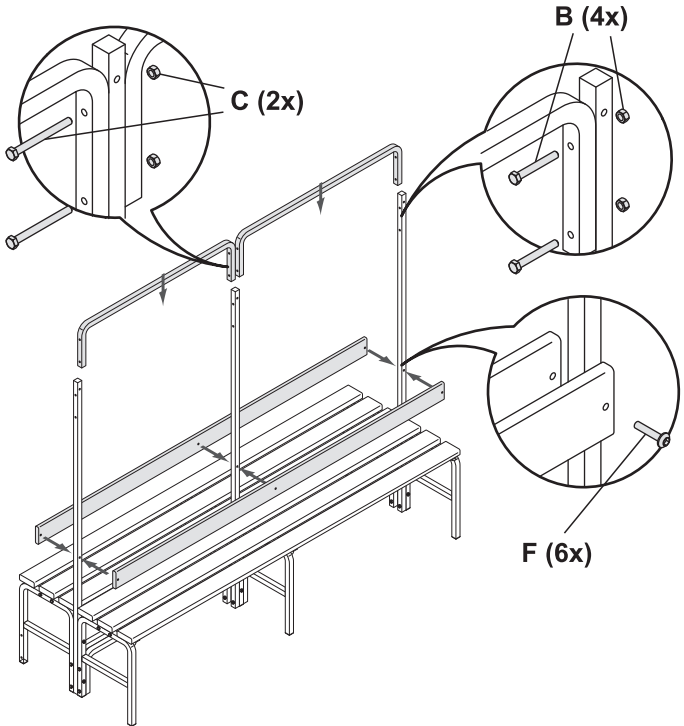
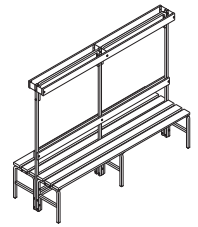
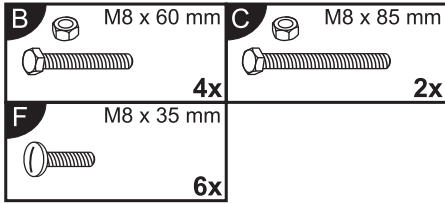
**E** M8 x 35 mm  
 3x



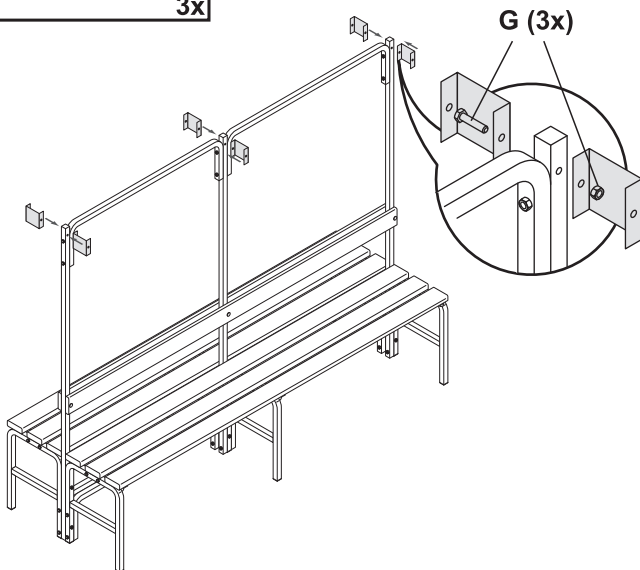
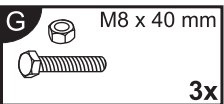
# C4



# C5



# C6



# C7

