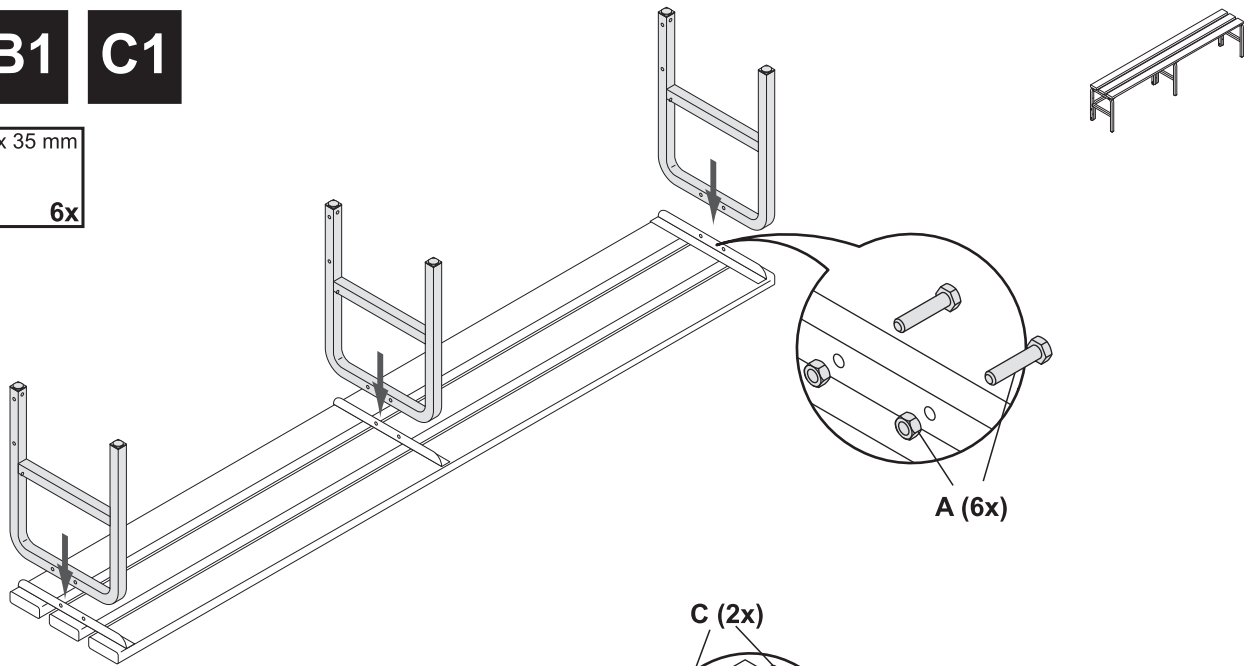


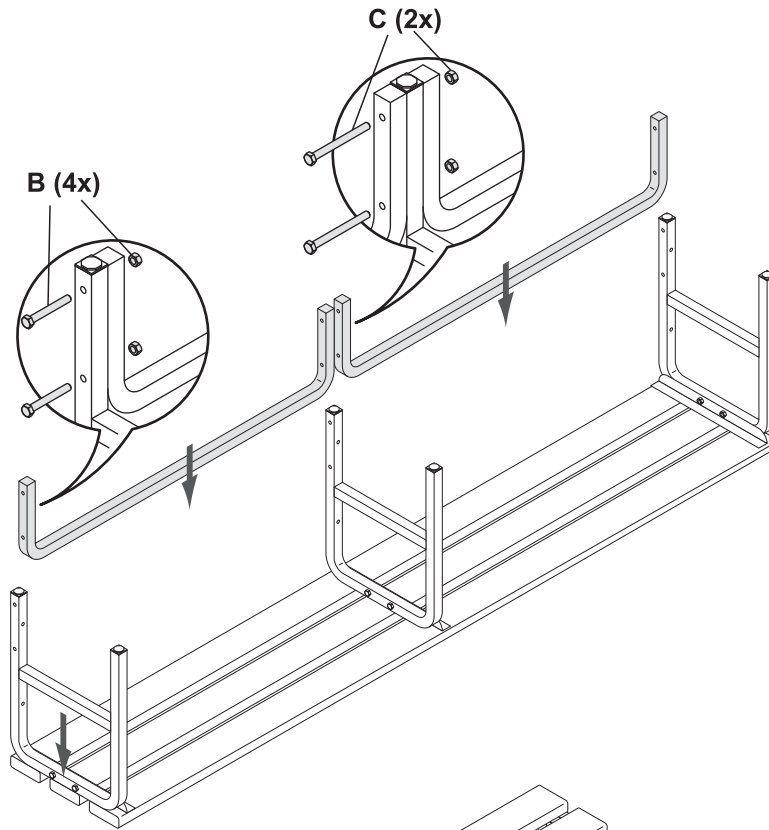
**A1 B1 C1**

**A** M8 x 35 mm  
6x

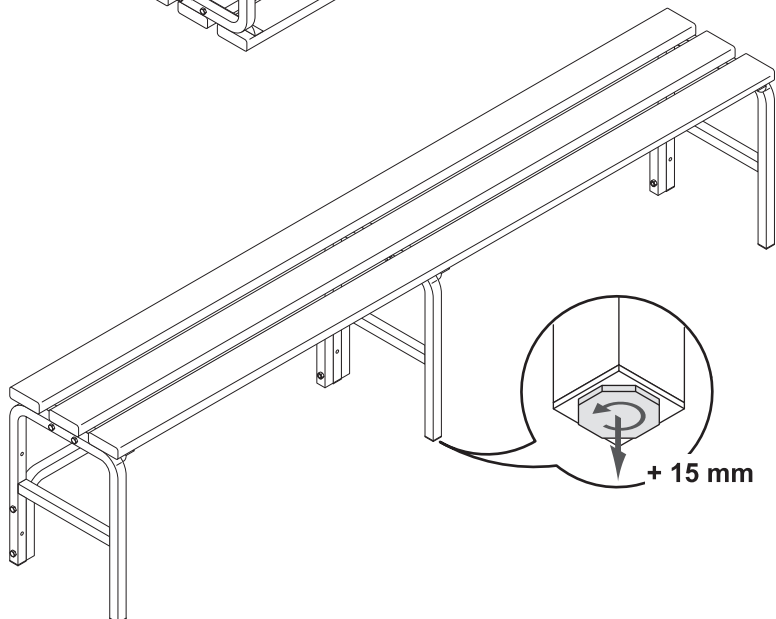


**A2 B2 C2**

**B** M8 x 60 mm  
4x  
**C** M8 x 85 mm  
2x

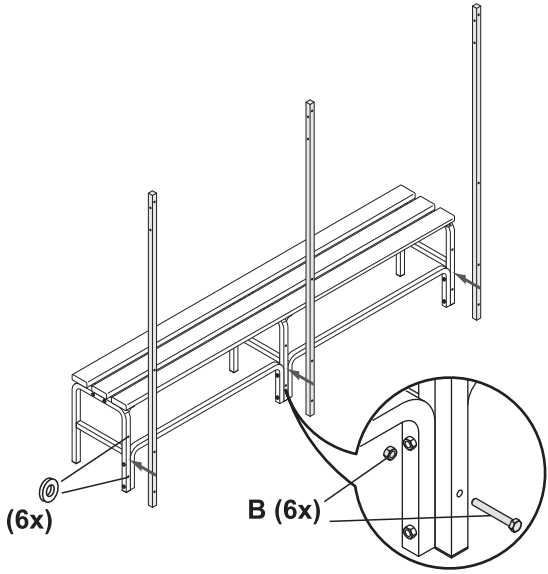


**A3 B3 C3**



# B4

**B** M8 x 60 mm  
6x

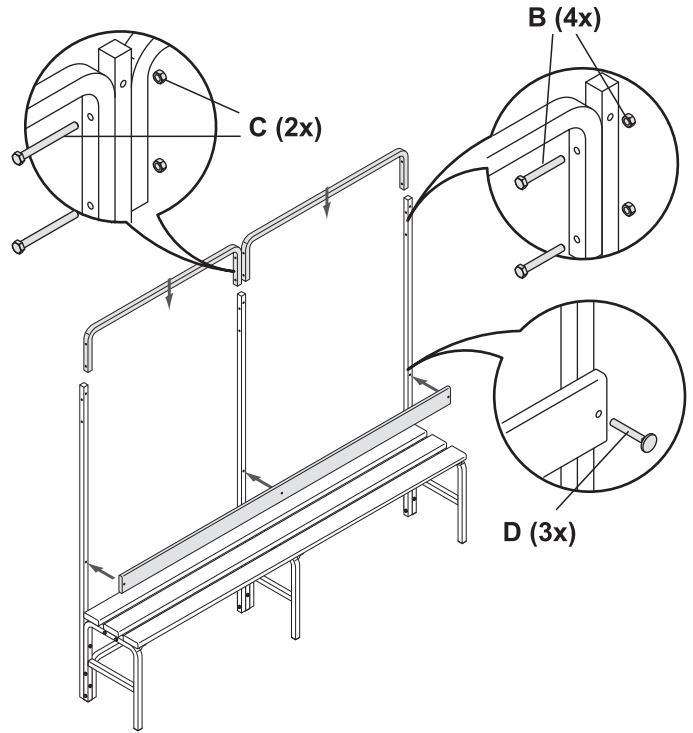
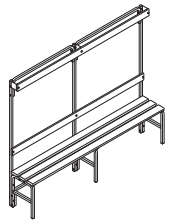


# B5

**B** M8 x 60 mm  
4x

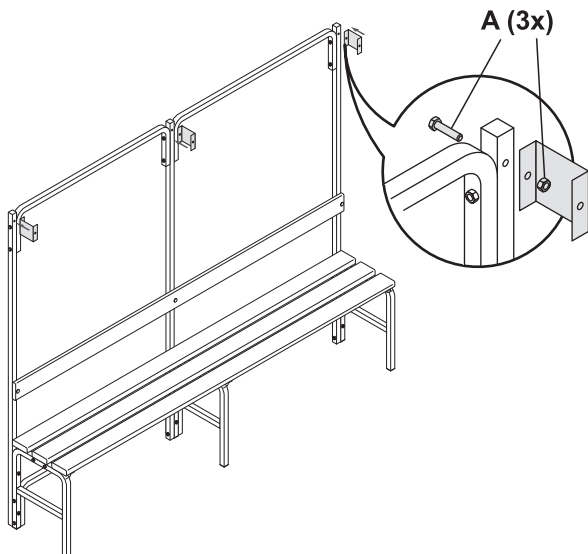
**D** M8 x 35 mm  
3x

**C** M8 x 85 mm  
2x



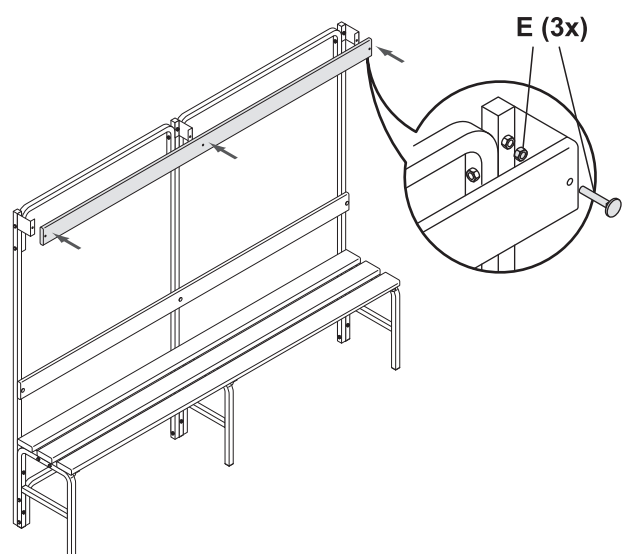
# B6

**A** M8 x 35 mm  
3x

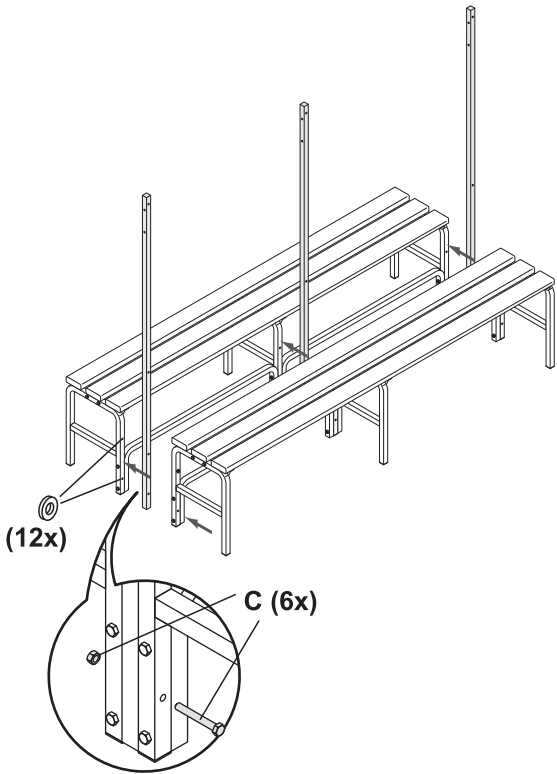
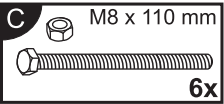


# B7

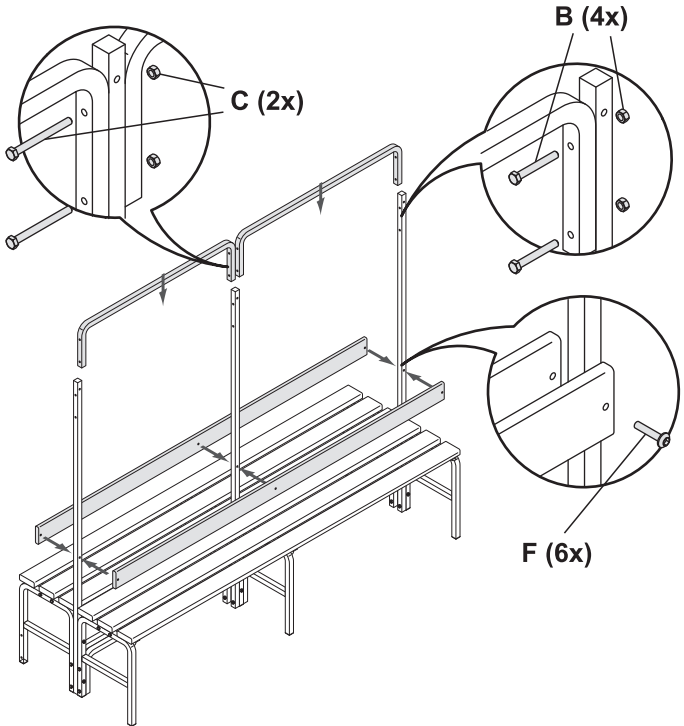
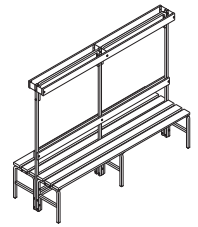
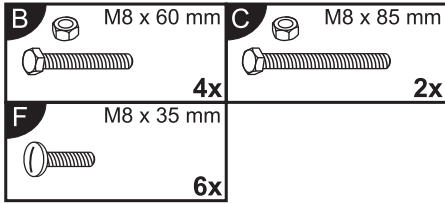
**E** M8 x 35 mm  
3x



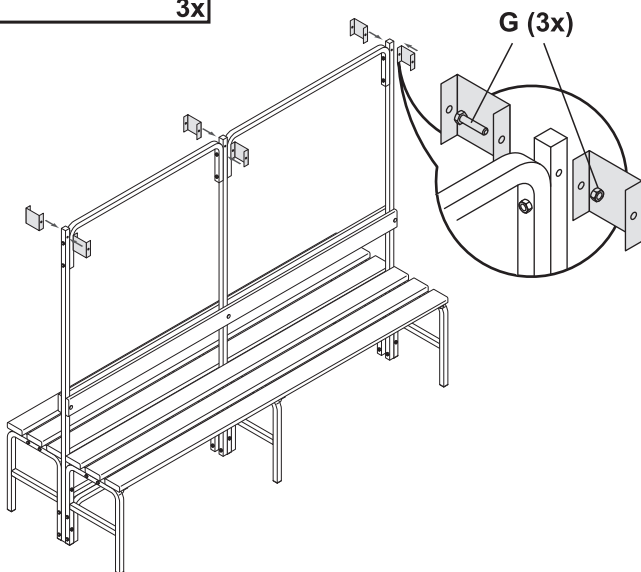
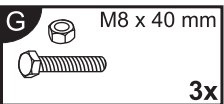
# C4



# C5



# C6



# C7

