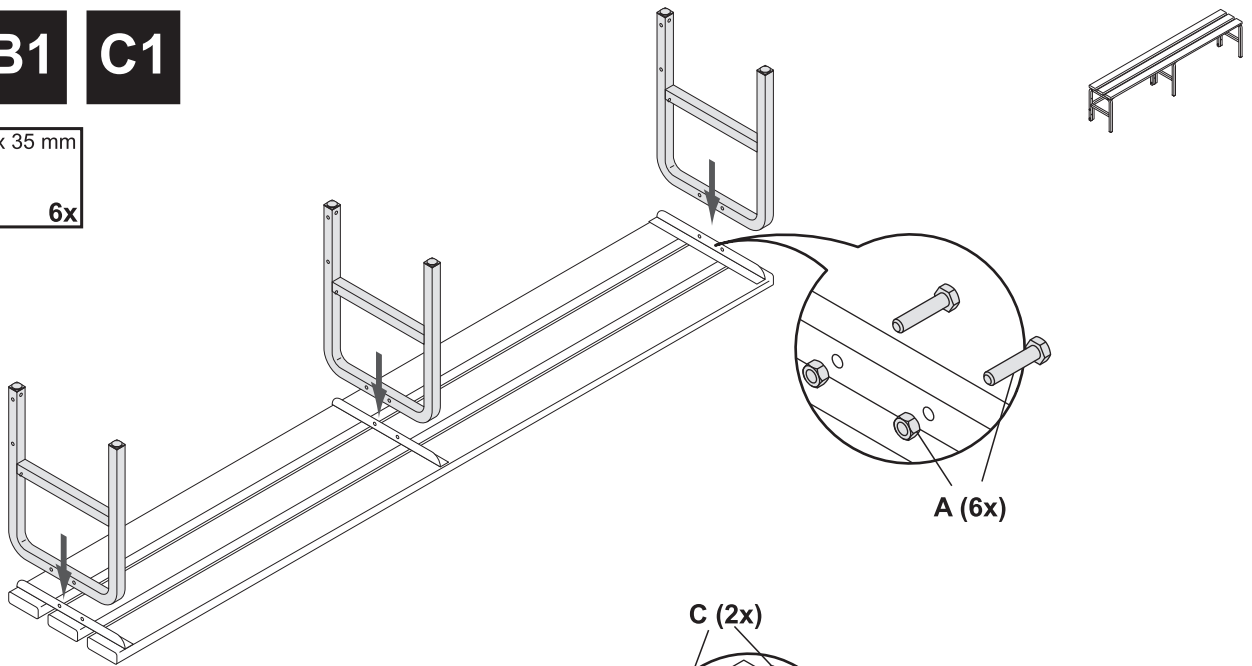


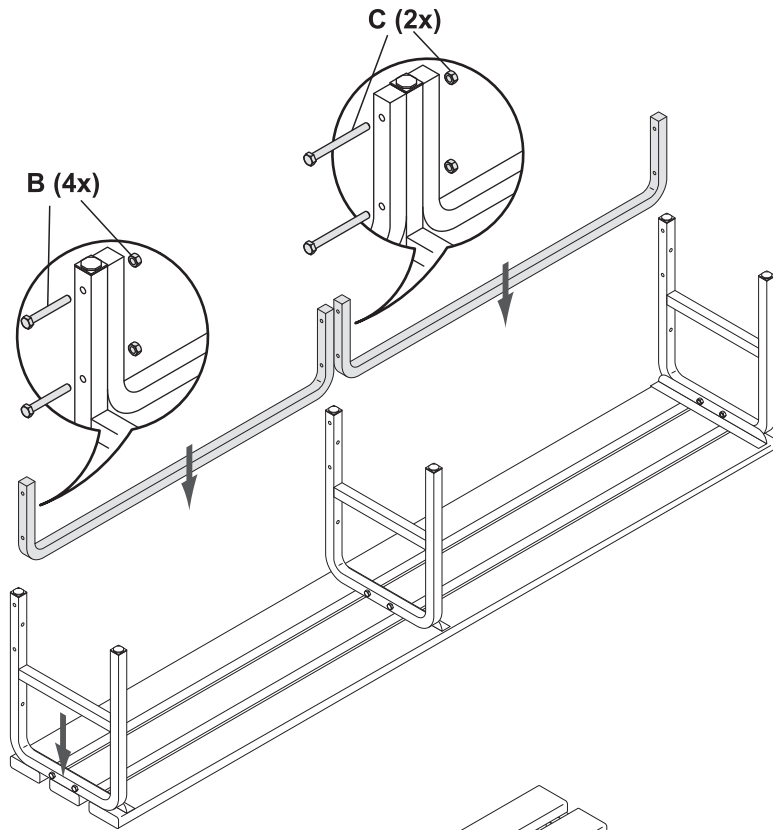
**A1 B1 C1**

**A** M8 x 35 mm  
6x

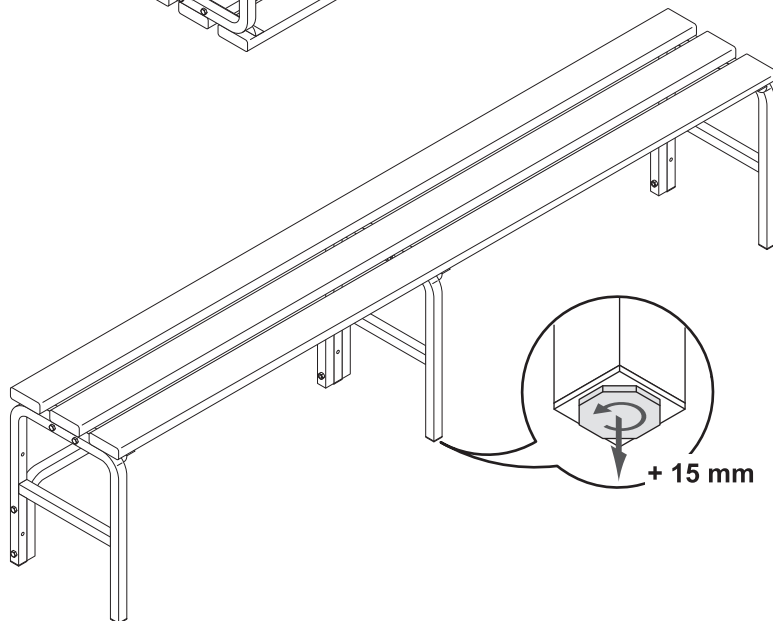


**A2 B2 C2**

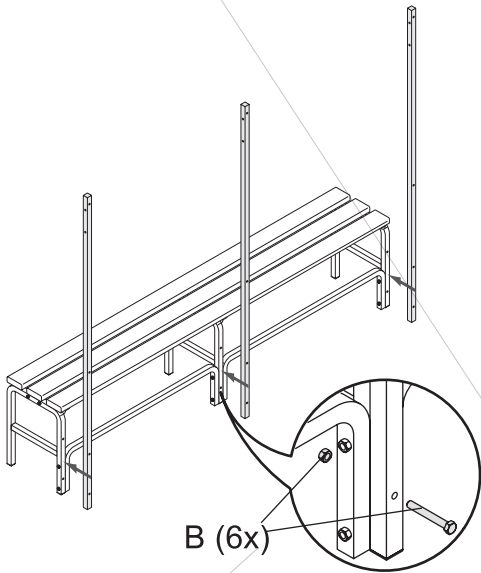
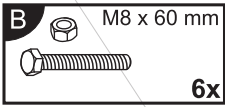
**B** M8 x 60 mm  
4x  
**C** M8 x 85 mm  
2x



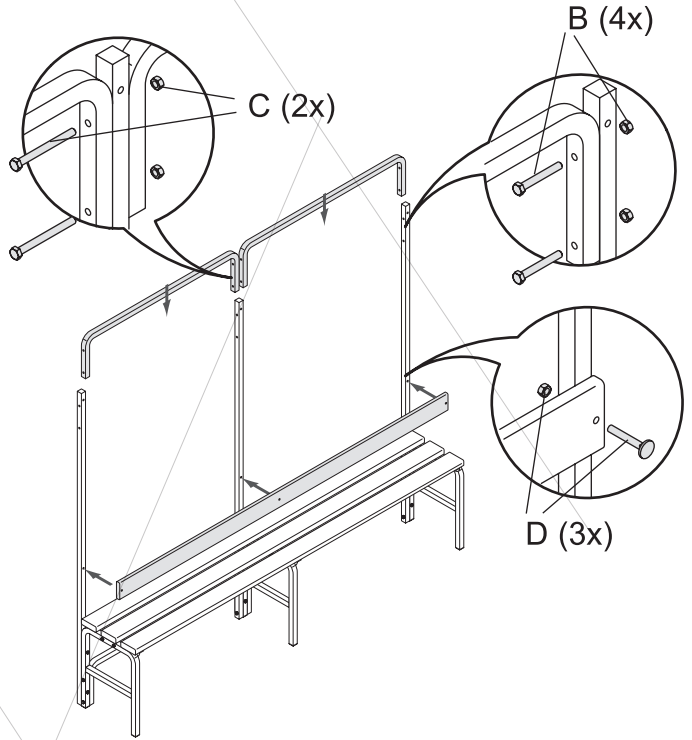
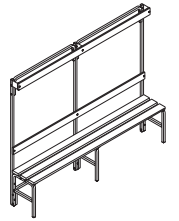
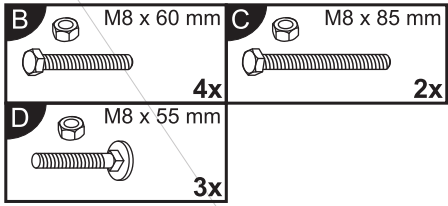
**A3 B3 C3**



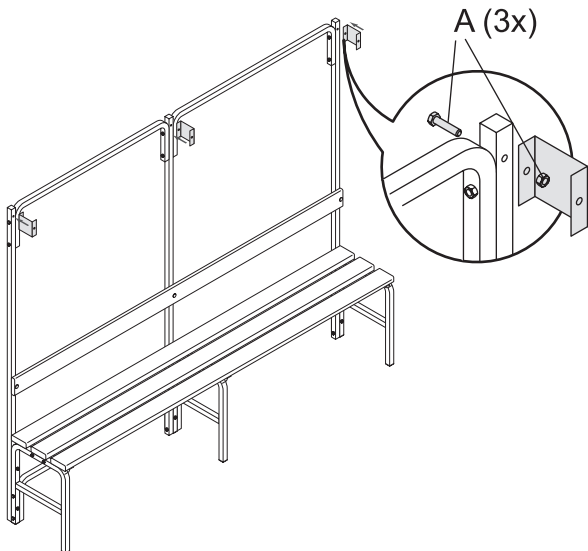
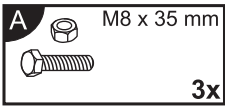
# B4



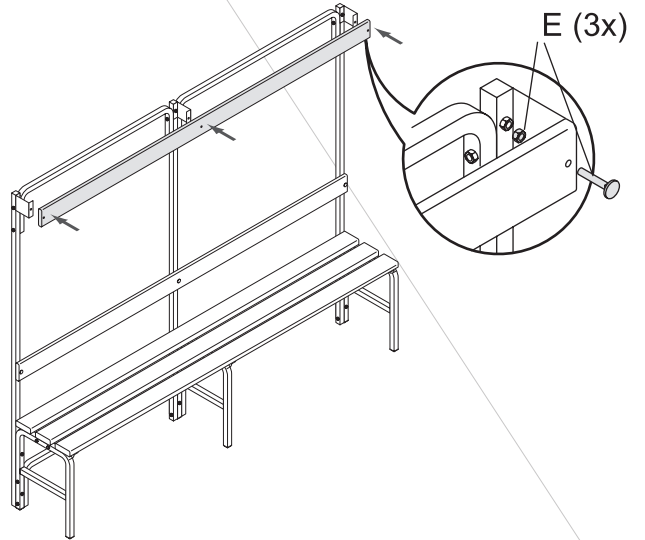
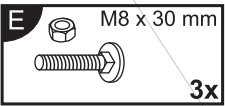
# B5



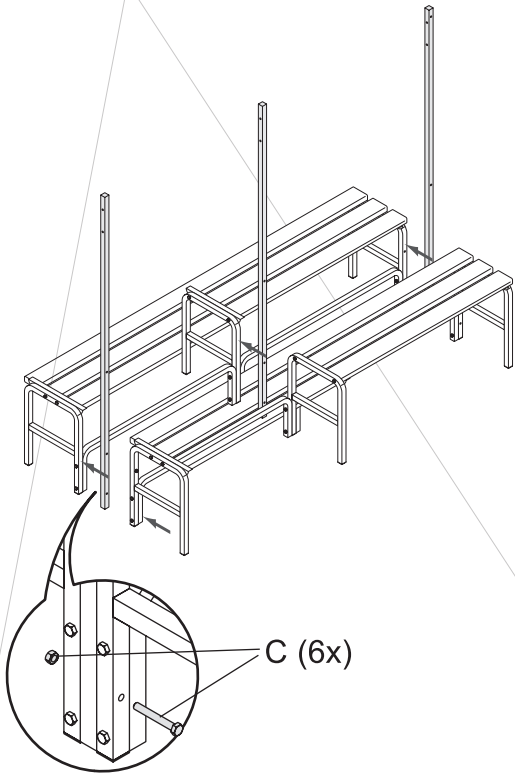
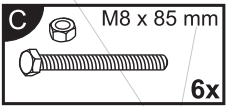
# B6



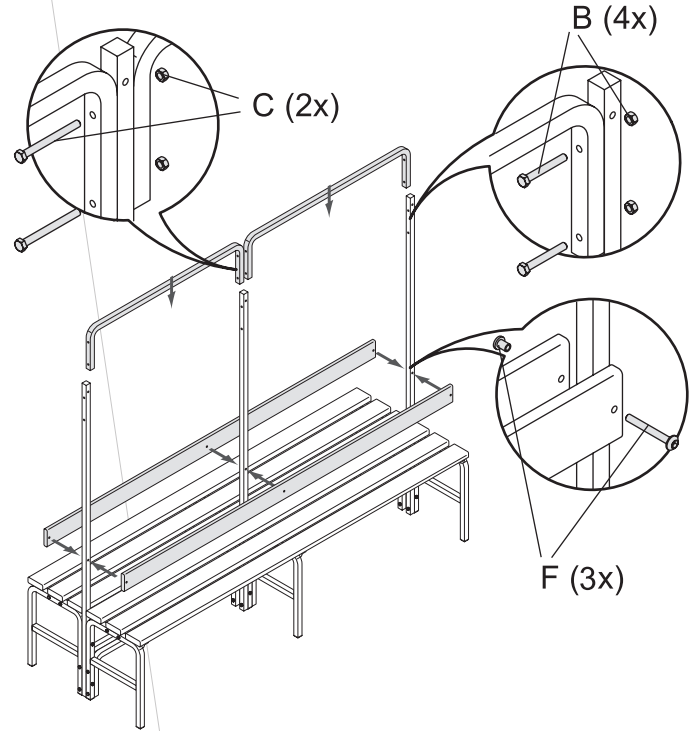
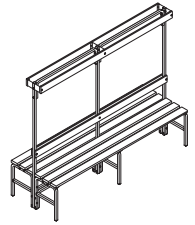
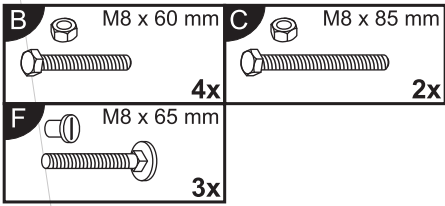
# B7



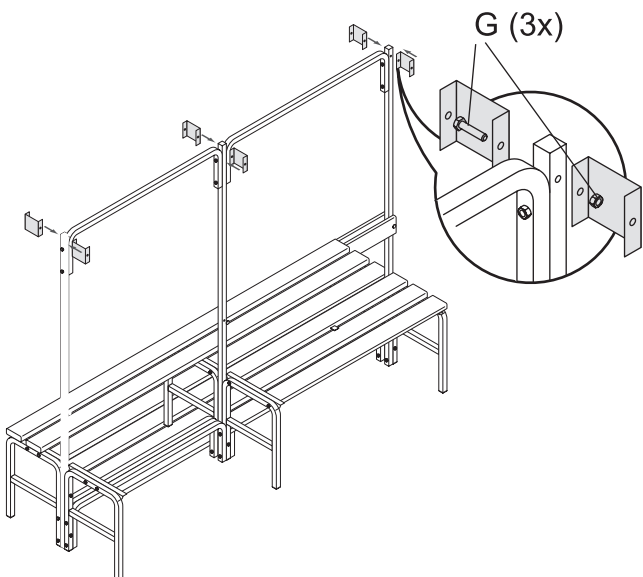
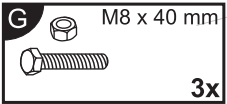
# C4



# C5



# C6



# C7

