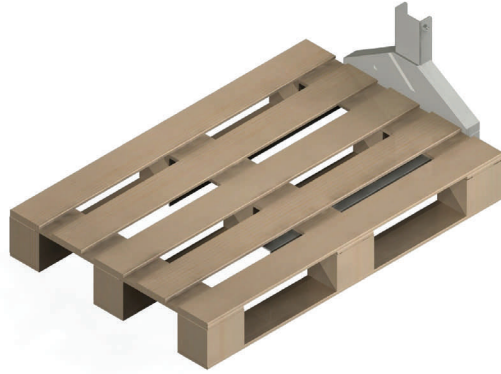


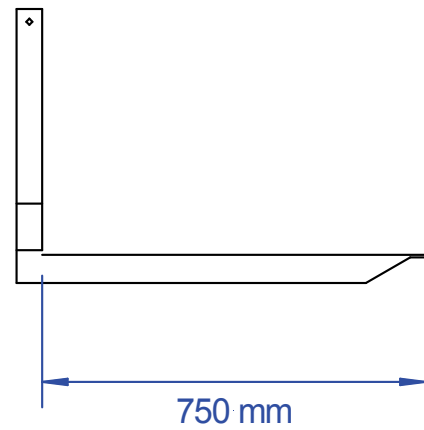
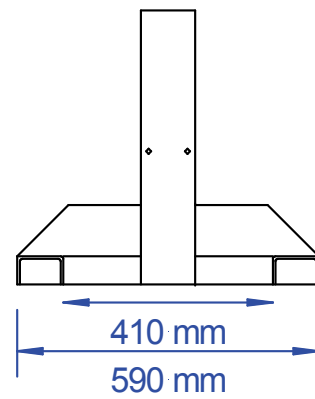
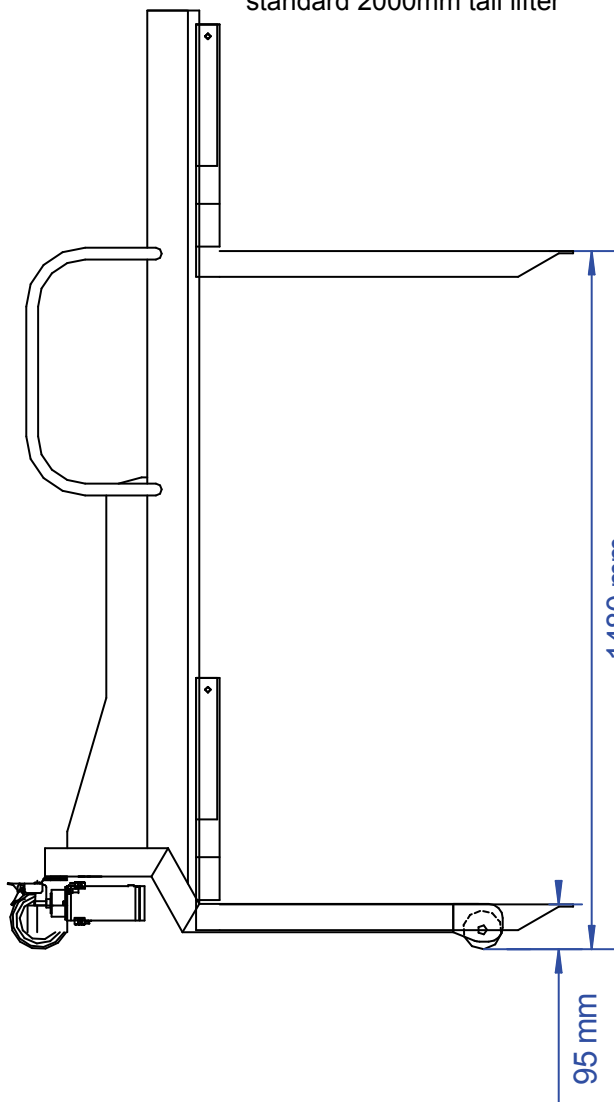
Art No. FA1170

PALLET FORKS DATA SHEET

Model	Capacity (kg)	Material	Weight
Twin Arm	300kg	Inox	15kg



Dimensions are based on the standard 2000mm tall lifter



29 July 12