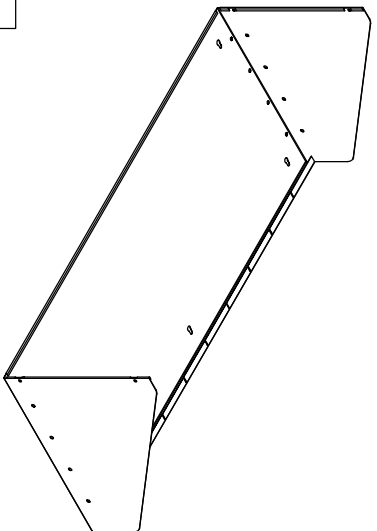
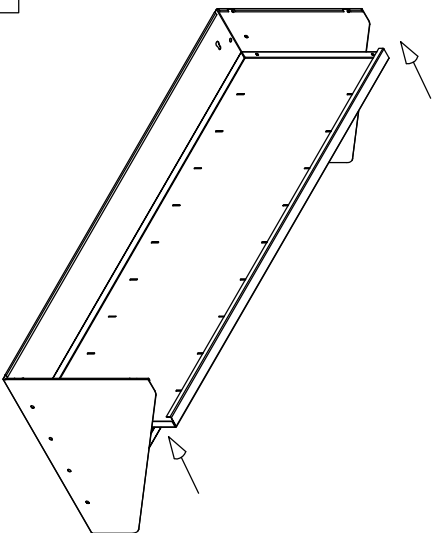


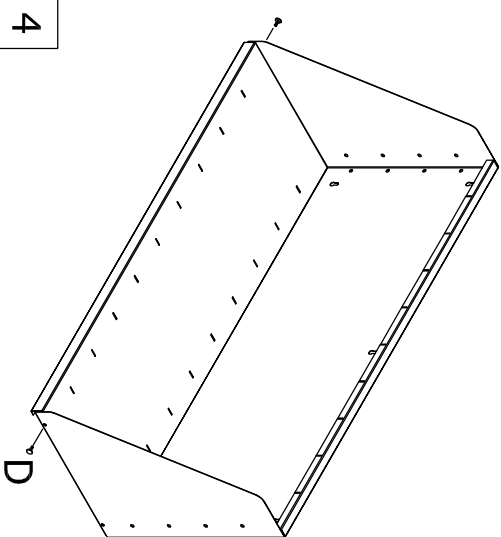
1



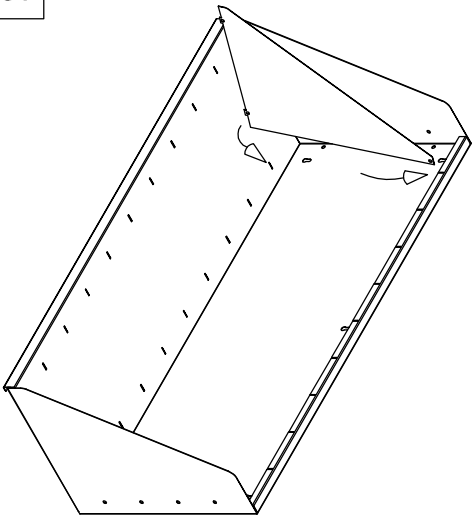
2



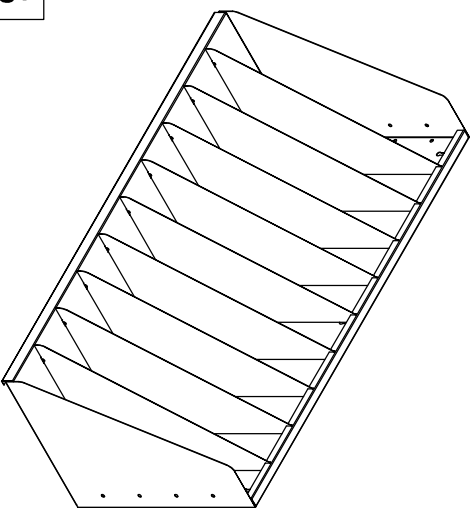
3



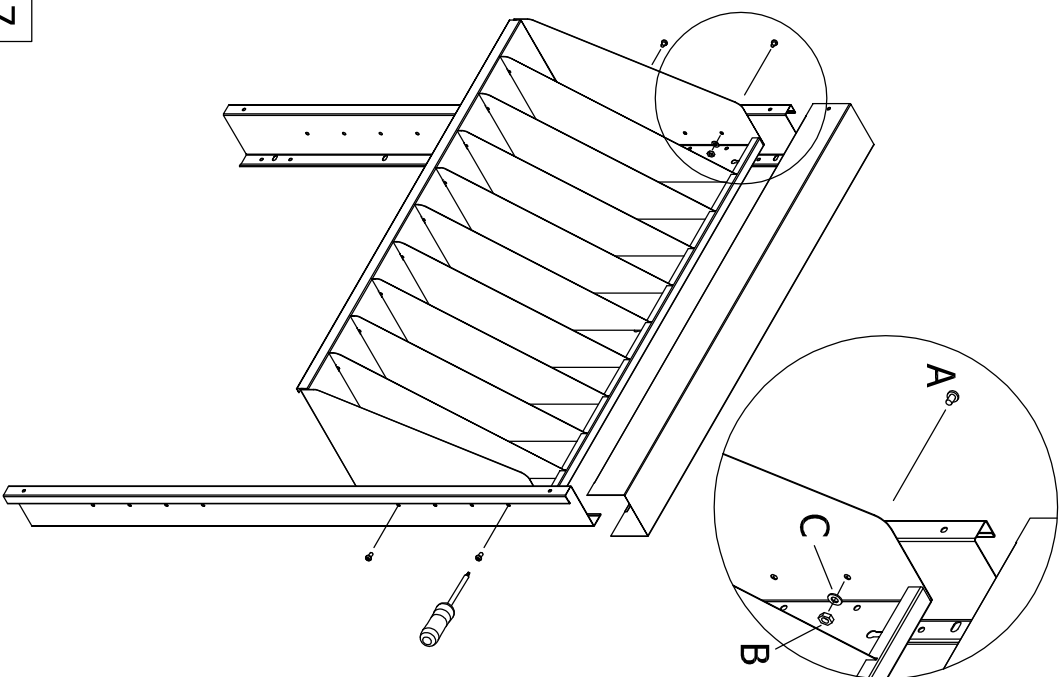
4



5




6



7

A  M5 x 4 pcs

B  M5 x 4 pcs

C  M5 x 4 pcs

D  Clip x 2 pcs