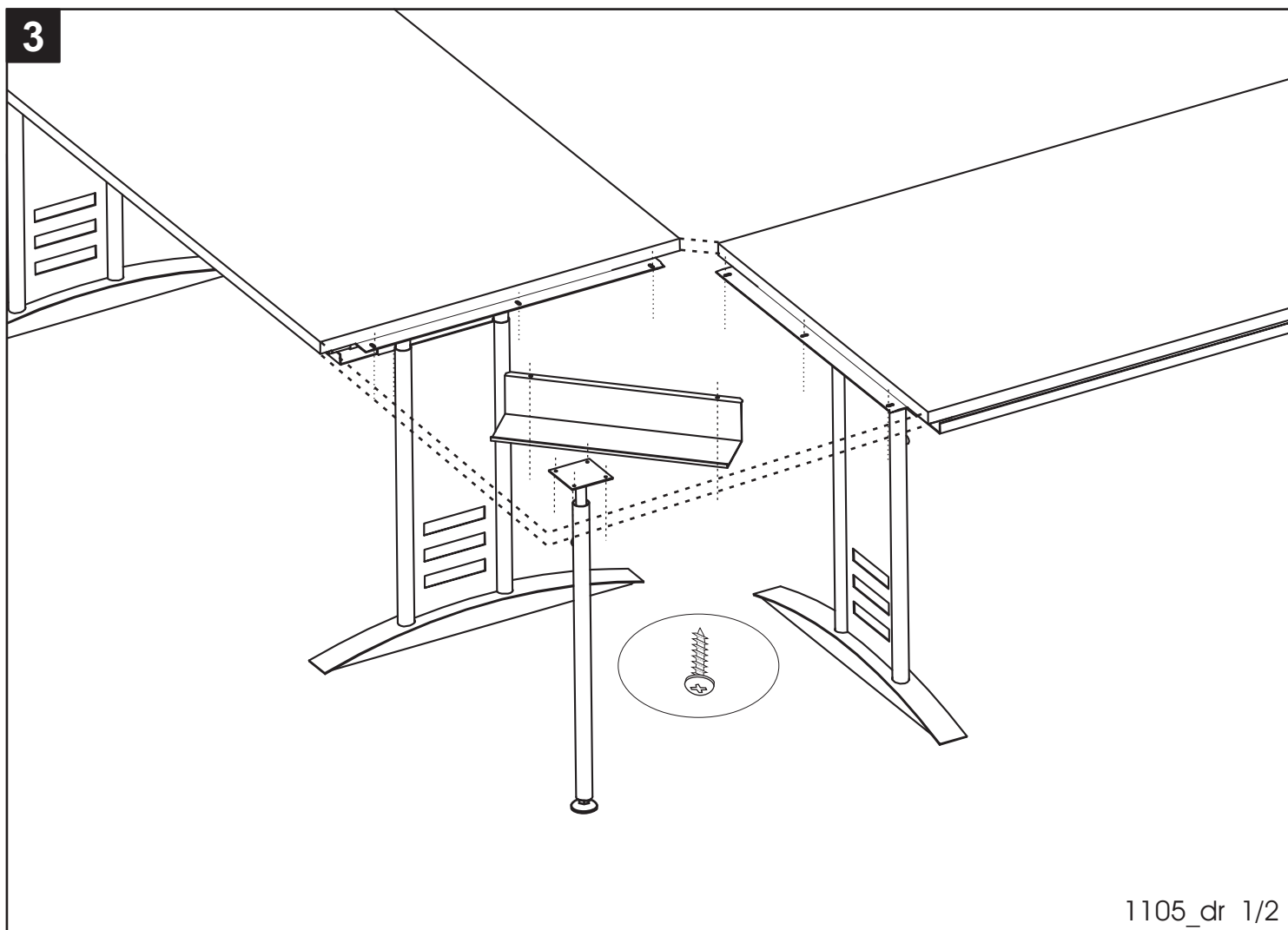
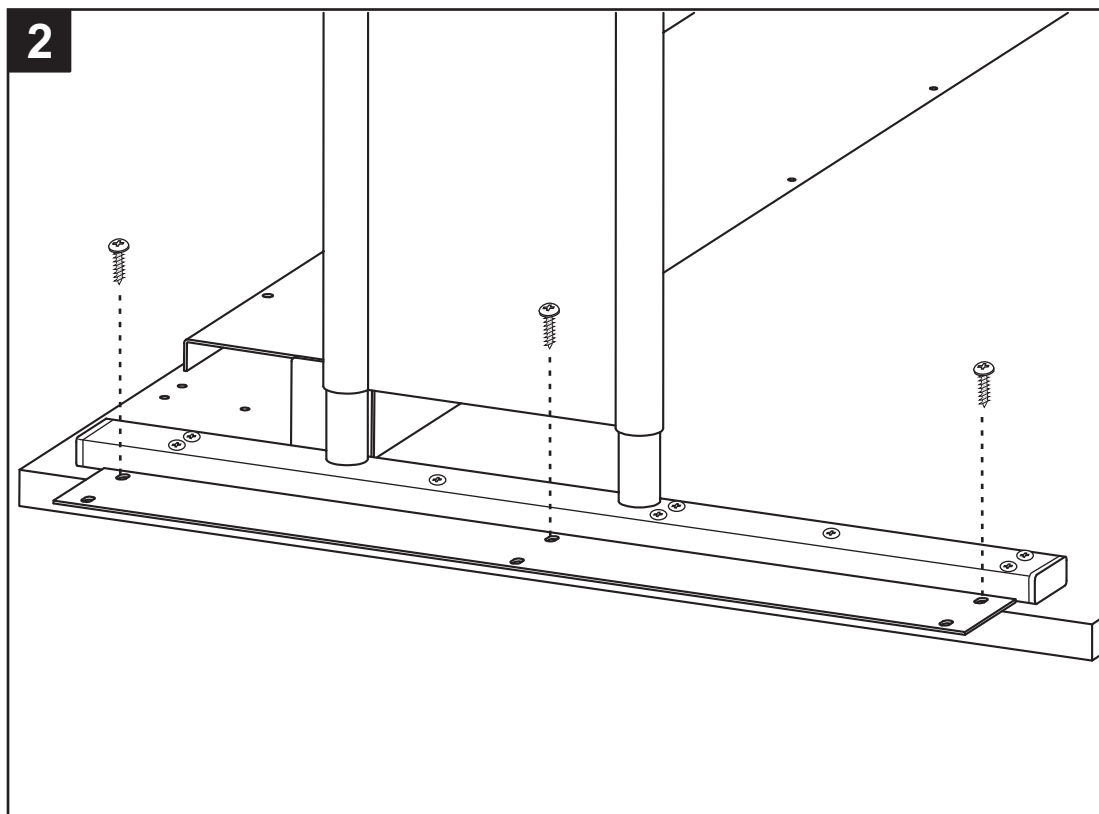
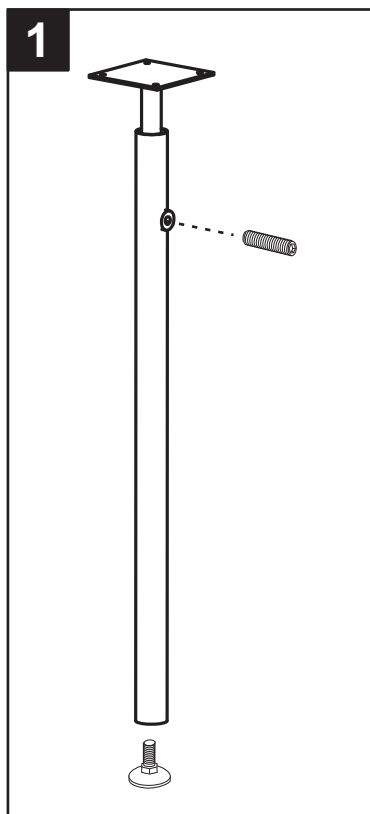


## tec-art office



# Form 2

