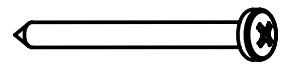


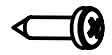
A x 2

6x70



B x 12

4,5x20



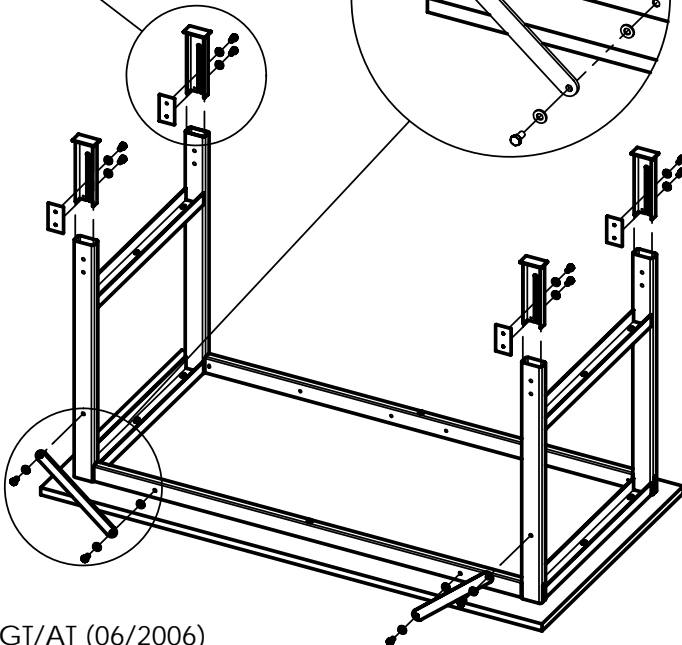
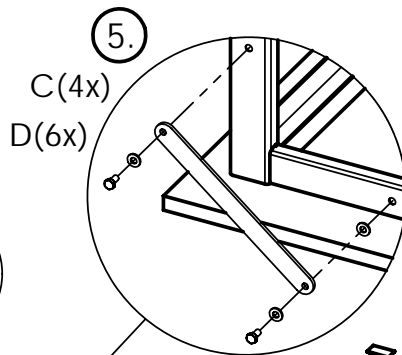
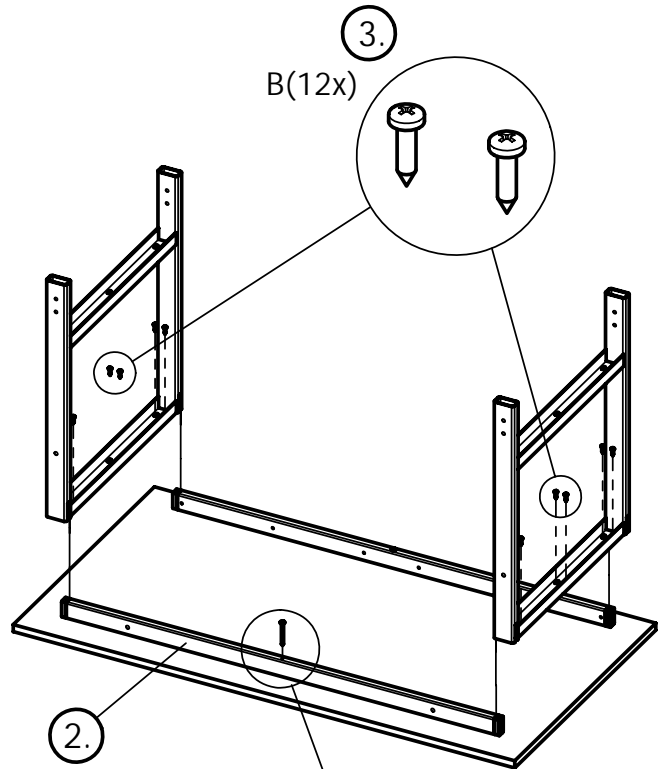
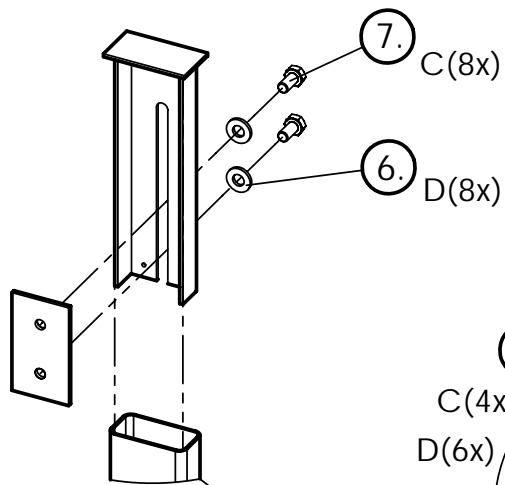
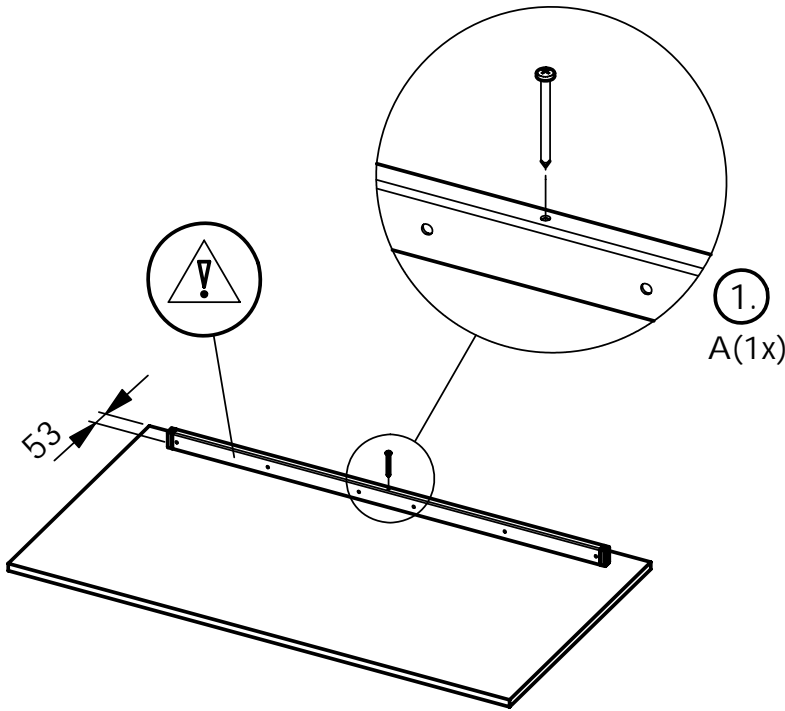
C x 12

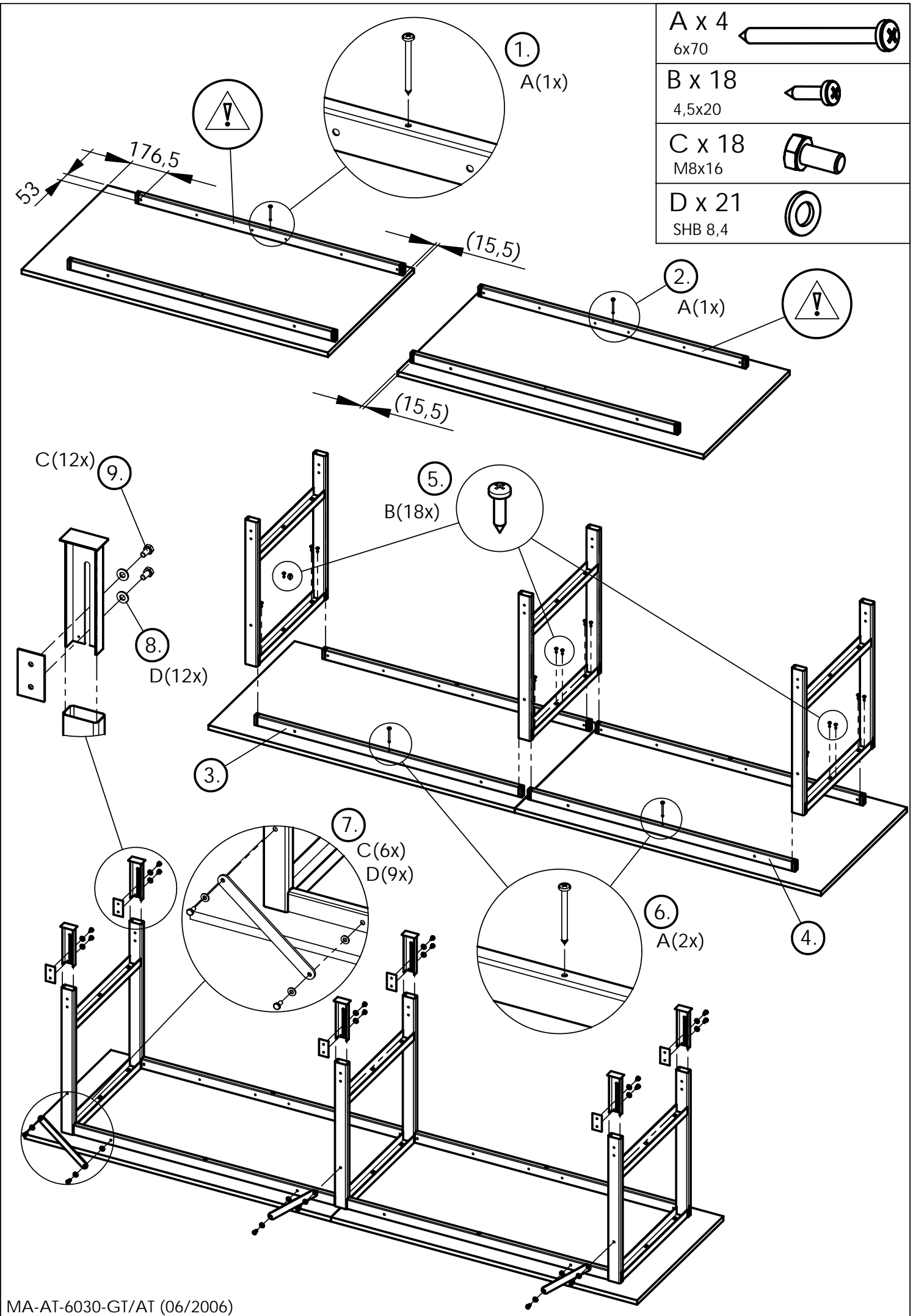
M8x16

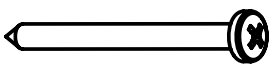
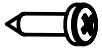




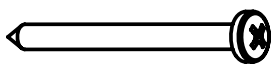
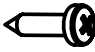



D x 14

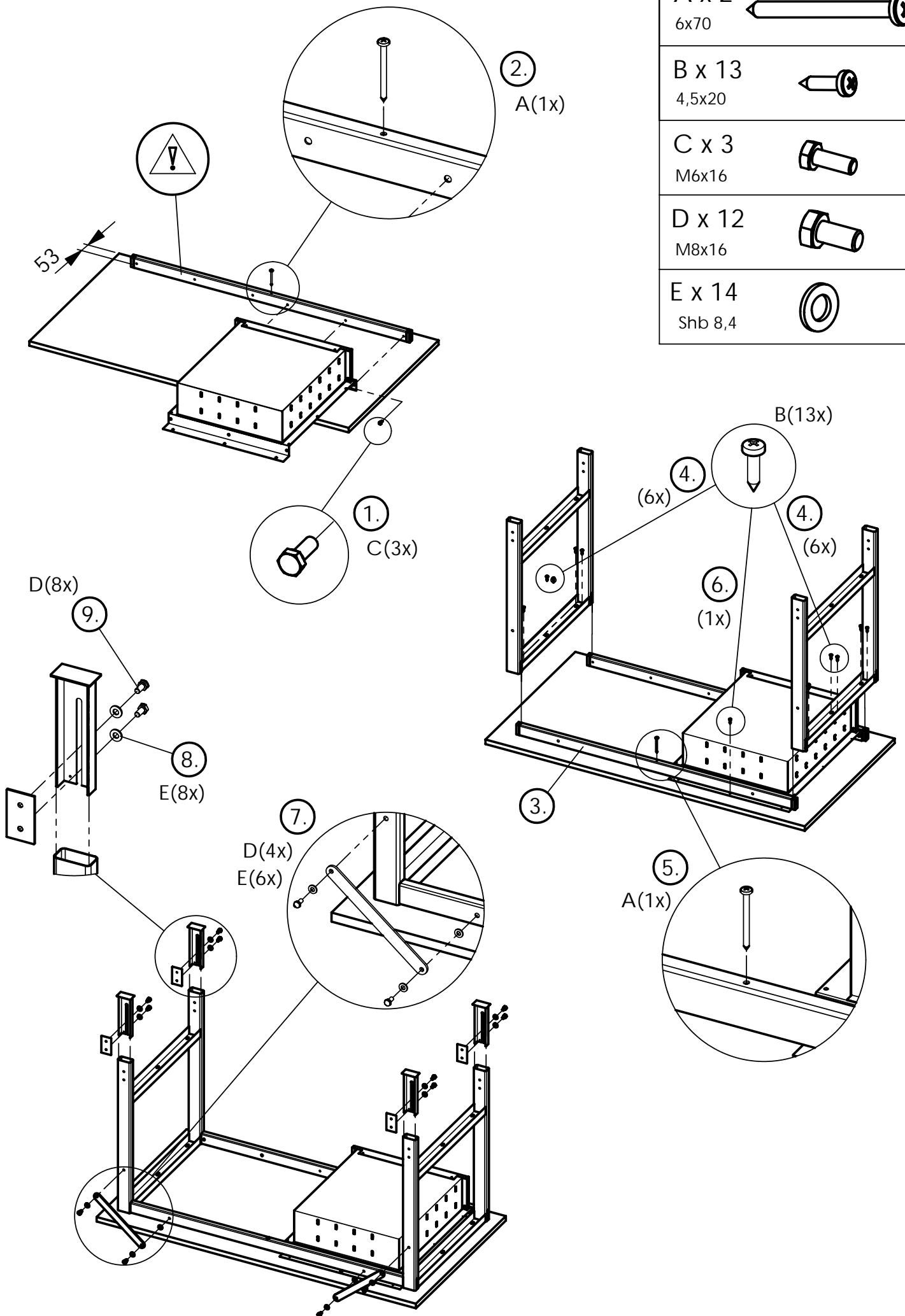
Shb 8,4



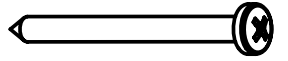


A x 4 6x70	
B x 18 4,5x20	
C x 12 M8x16	
D x 21 SHB 8,4	

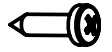
A x 2 6x70	
B x 13 4,5x20	
C x 3 M6x16	
D x 12 M8x16	
E x 14 Shb 8,4	



A x 2  
6x70



B x 13  
4,5x20



C x 3  
M6x16



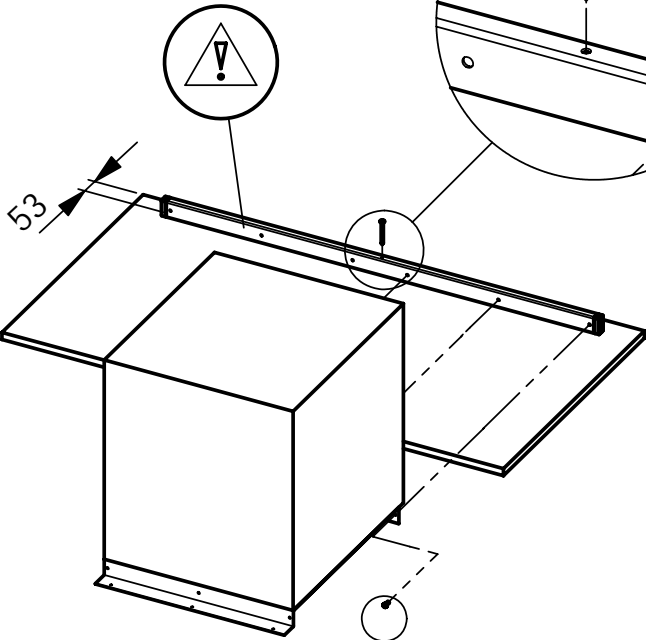
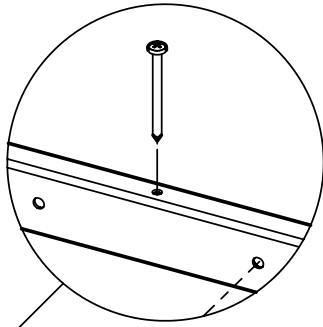
D x 12  
M8x16



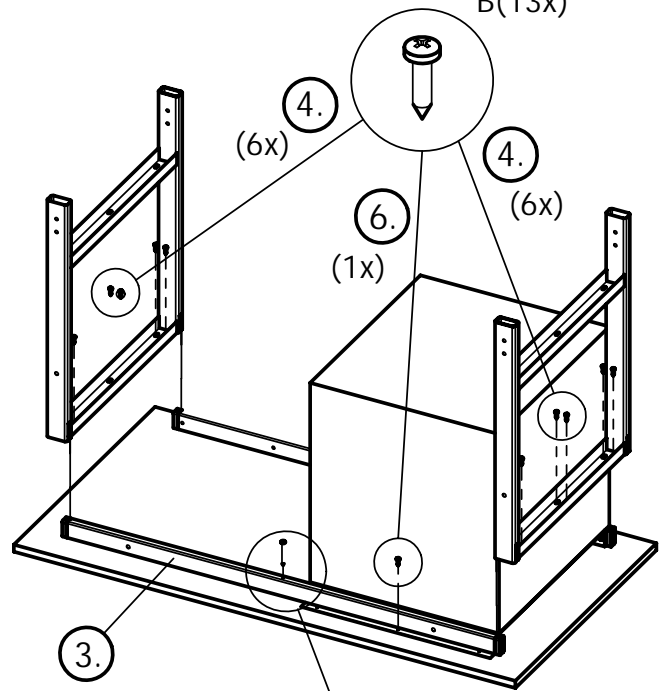
E x 14  
Shb 8,4



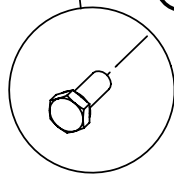
2.  
A(1x)



B(13x)

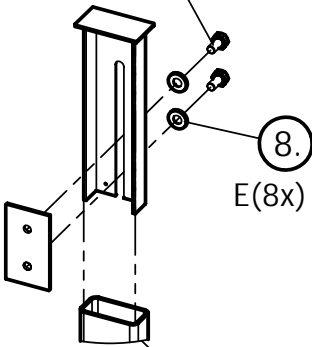


1.  
C(3x)



D(8x)

9.

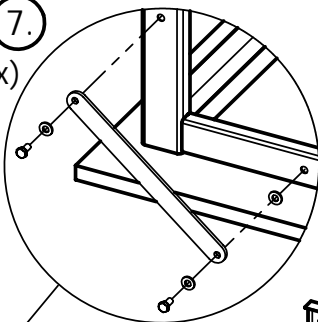


E(8x)

8.

7.

D(4x)  
E(6x)



A(1x)

