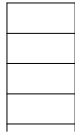
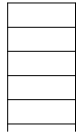

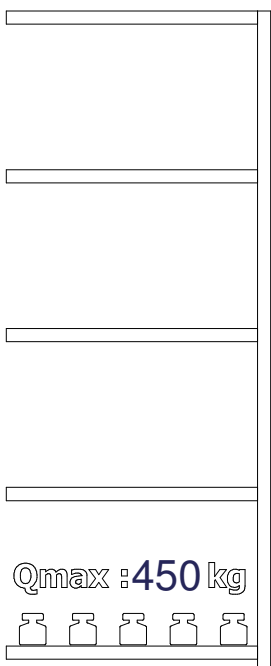




 A=1508mm	 A=1820mm	 A=1974mm	 A=2522mm
ΣQmax	1800 kg	2250 kg	2700 kg	3150 kg
A	4x	4x	4x	4x
B	8x	10x	12x	14x
C	8x	10x	12x	14x
D	4x	5x	6x	7x
E	4x	4x	4x	4x
F,G	8x	8x	8x	8x
H	2x	2x	2x	2x
J	4x	5x	6x	7x



Trestles, a.s.
Na Skotnici 1168
735 71 Detmarovice
CZ

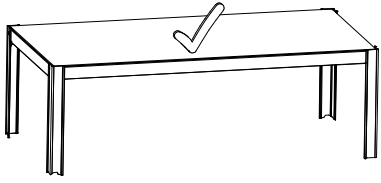


	 A=1508mm	 A=1820mm	 A=1976mm	 A=2522mm
ΣQmax	1800 kg	2250 kg	2700 kg	3150 kg
A	2x	2x	2x	2x
B	8x	10x	12x	14x
C	8x	10x	12x	14x
D	4x	5x	6x	7x
E	2x	2x	2x	2x
F,G	4x	4x	4x	4x
H	1x	1x	1x	1x
J	4x	5x	6x	7x



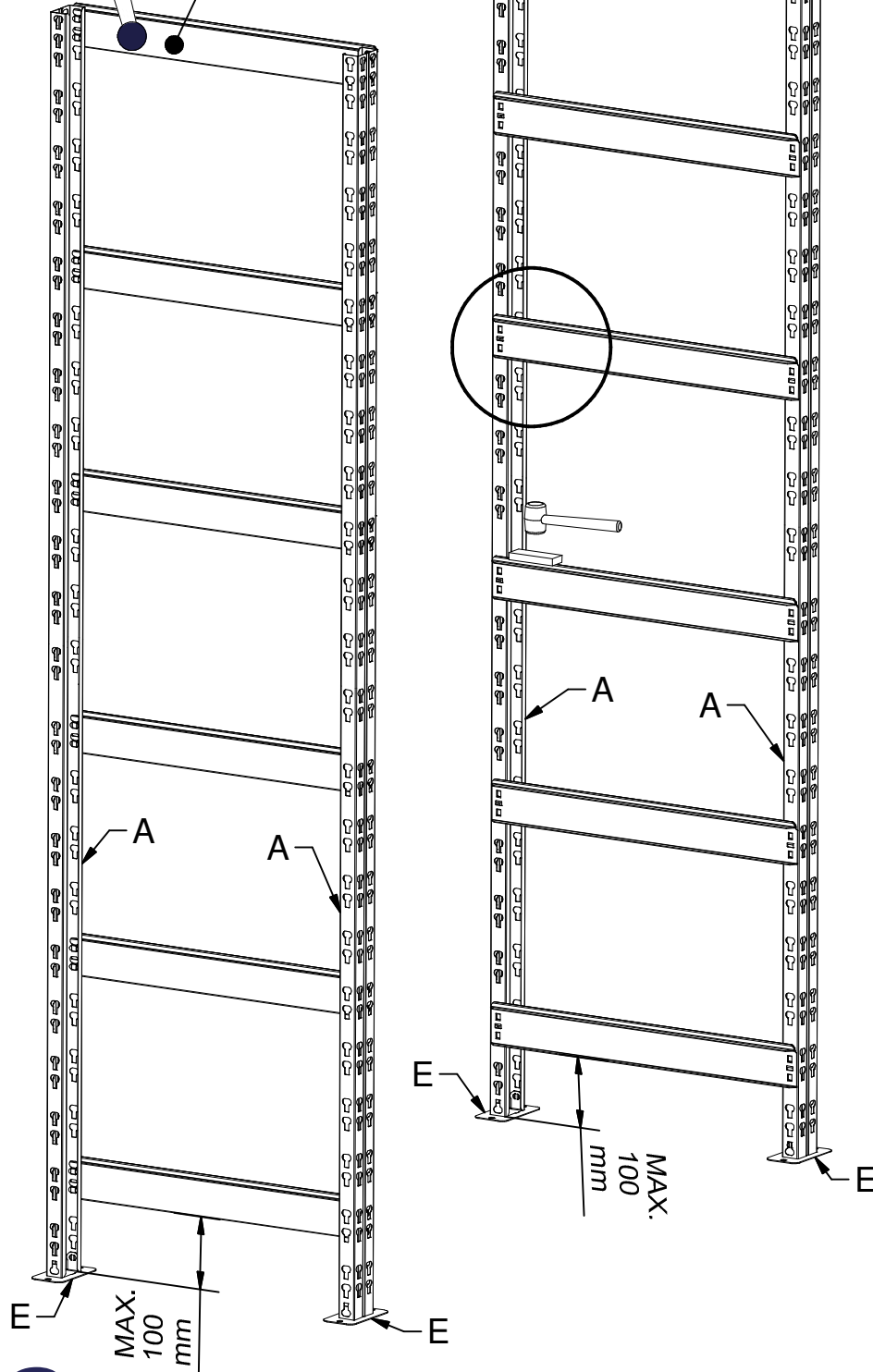
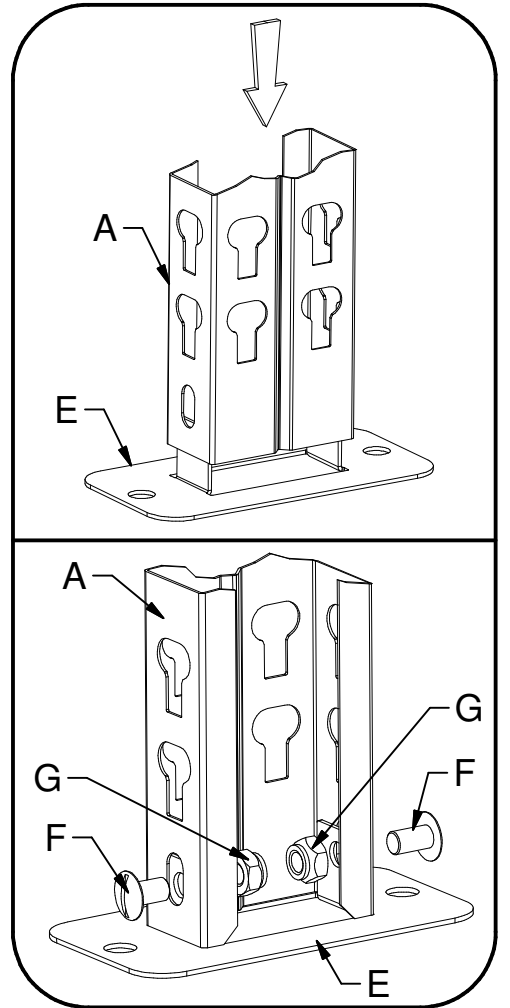
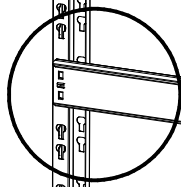
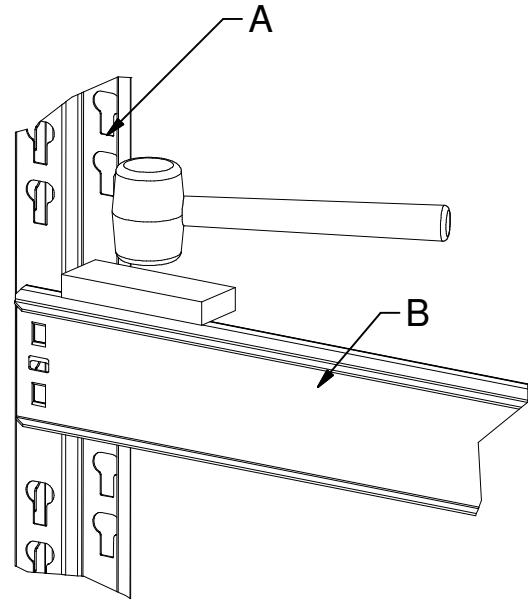
1

cca
0 mm



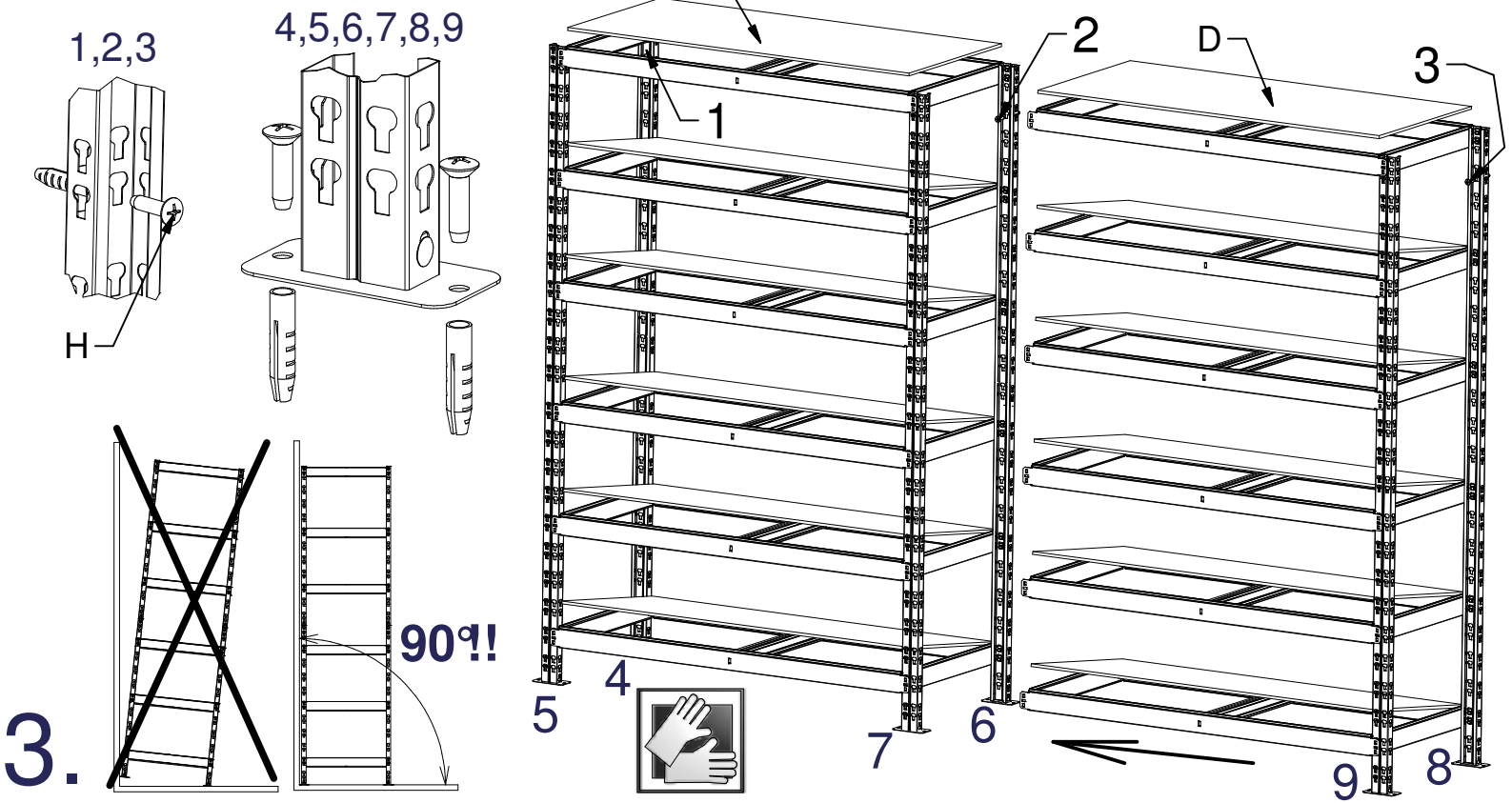
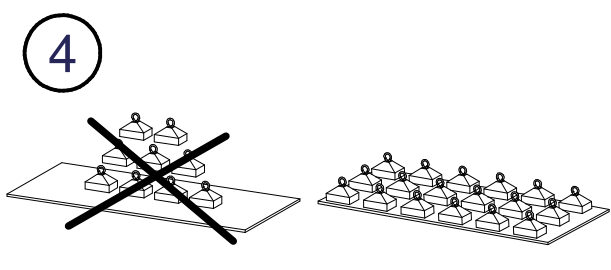
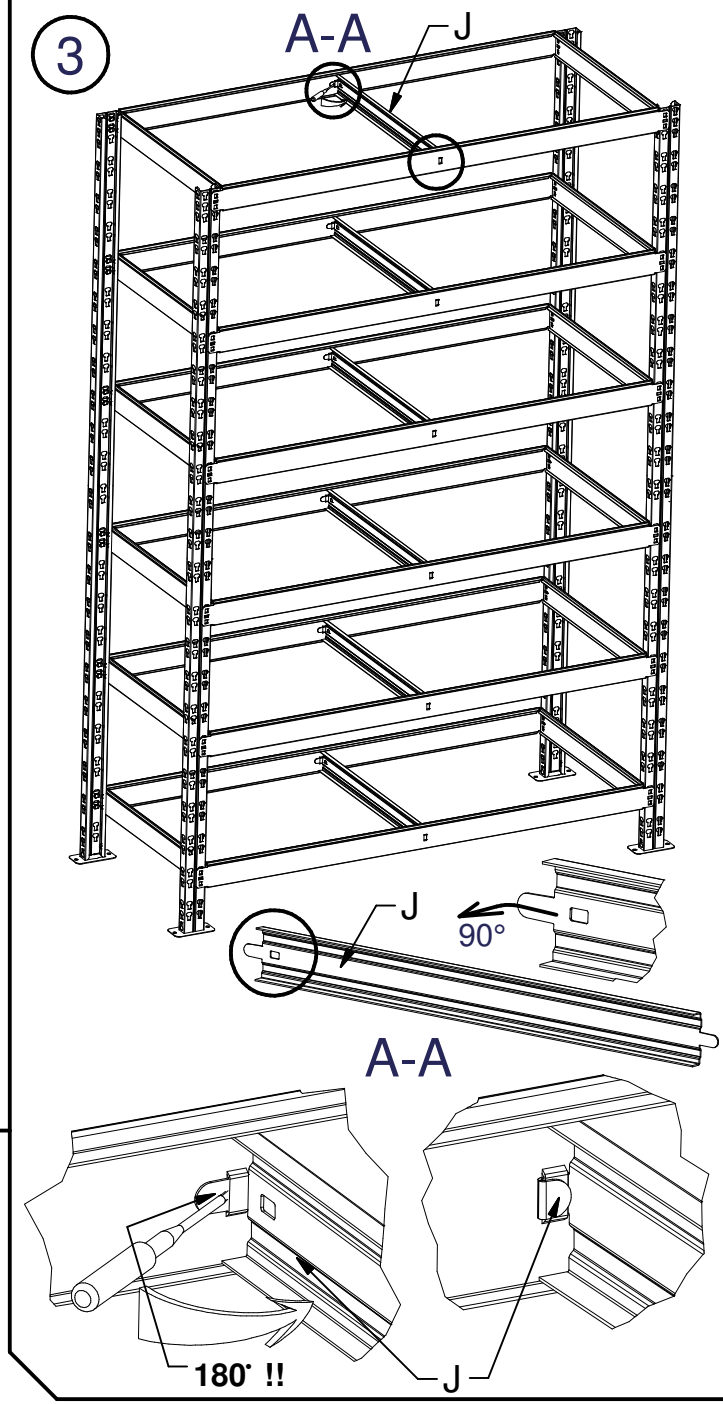
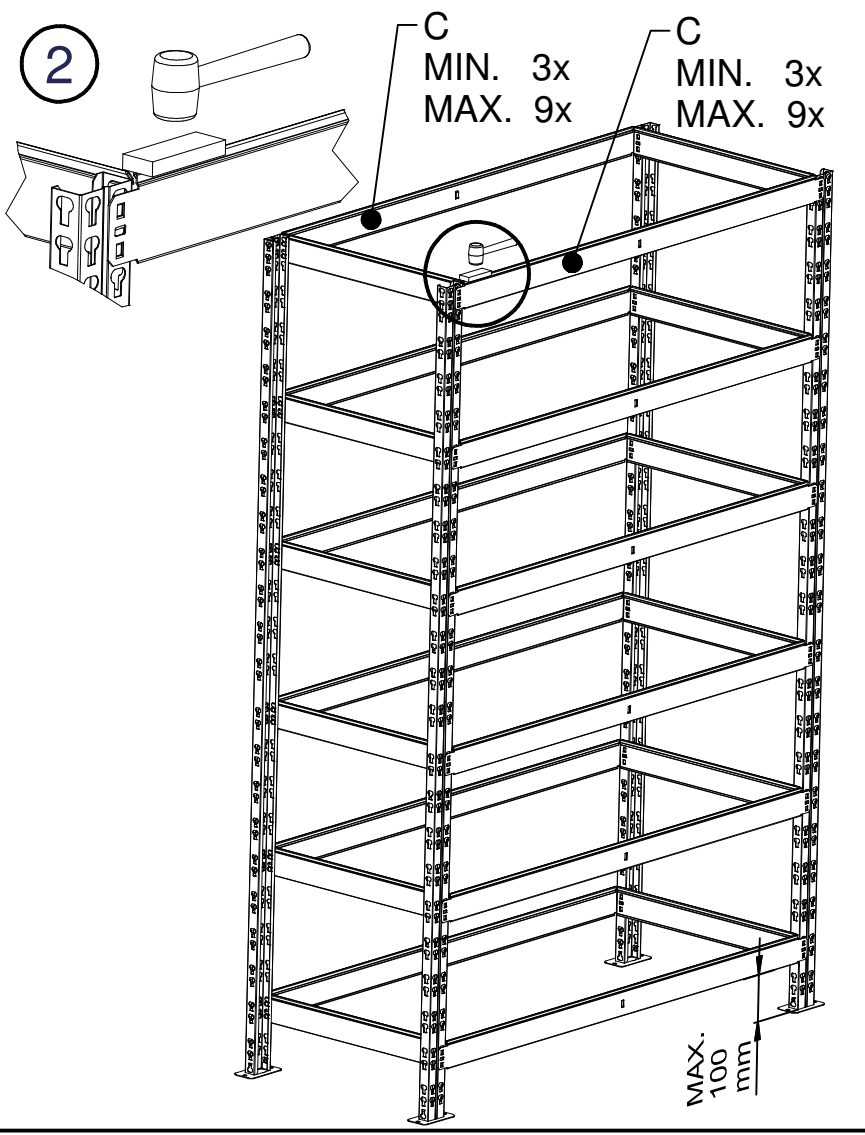
B
MIN. 3x
MAX. 9x

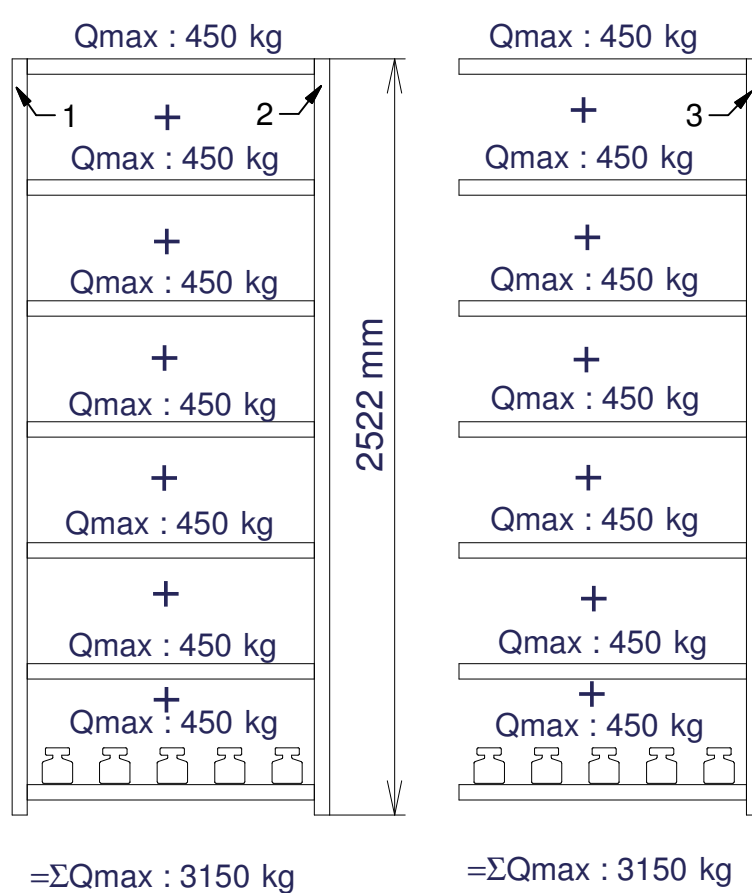
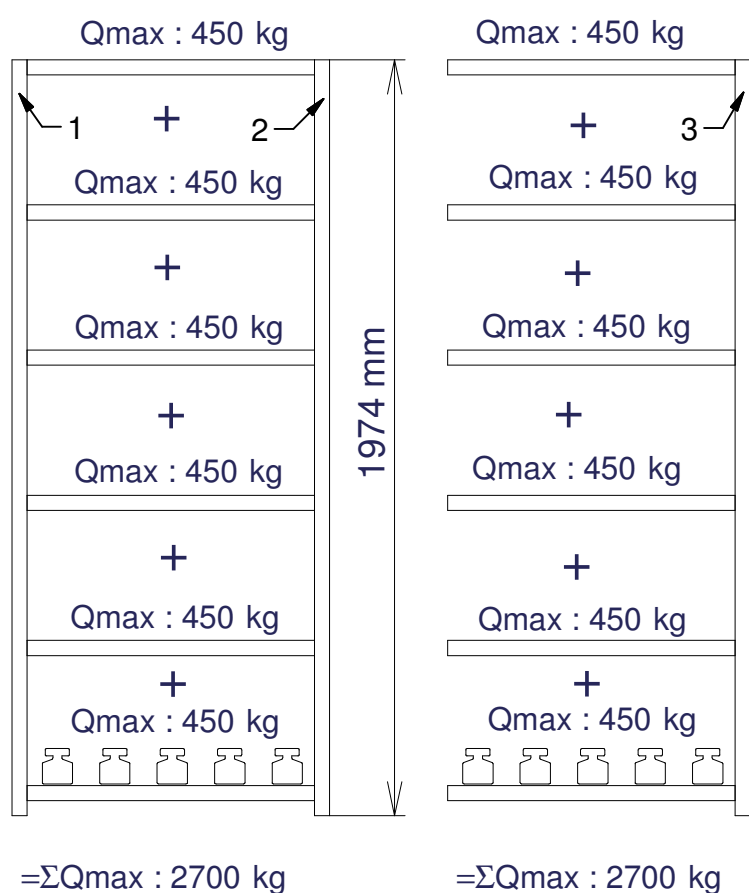
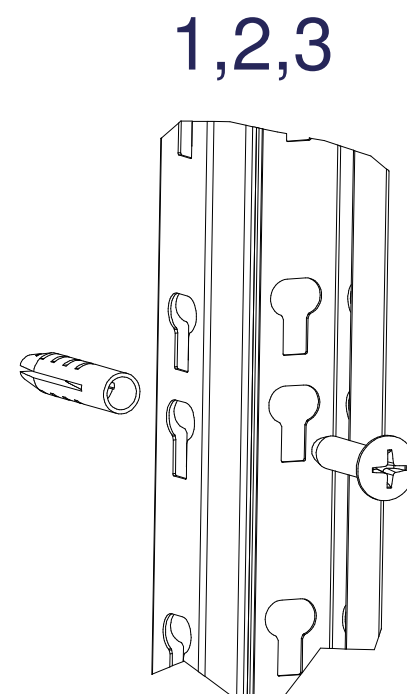
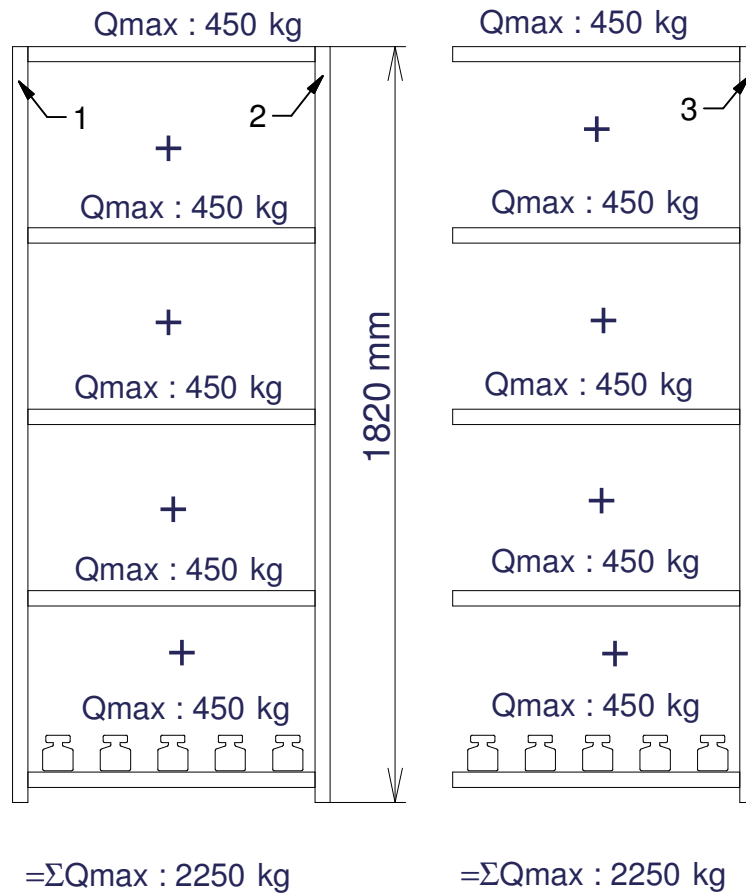
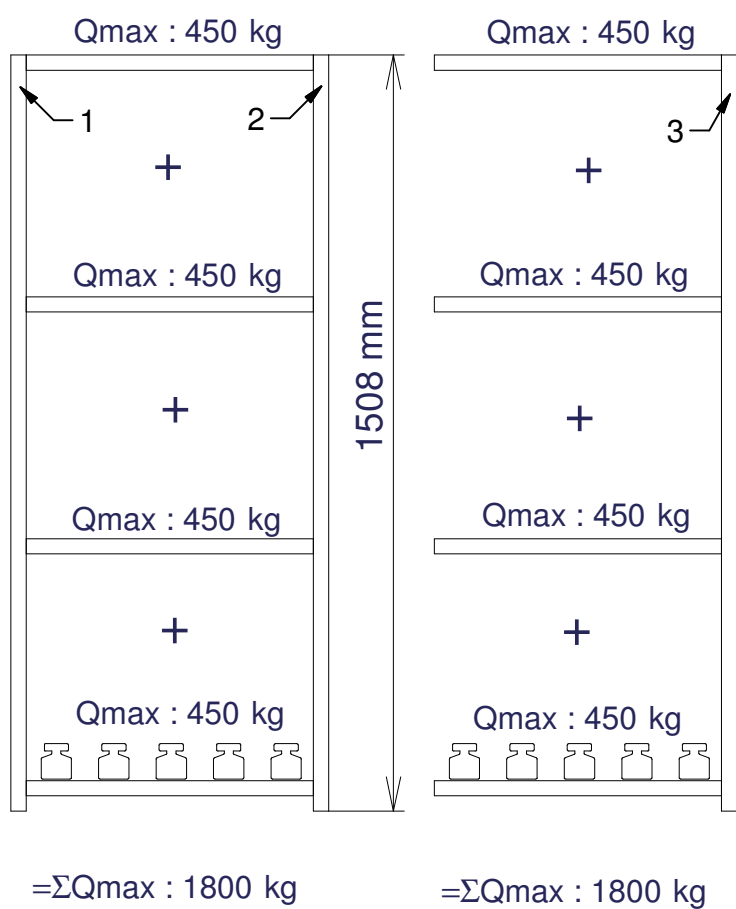
B
MIN. 3x
MAX. 9x



2.



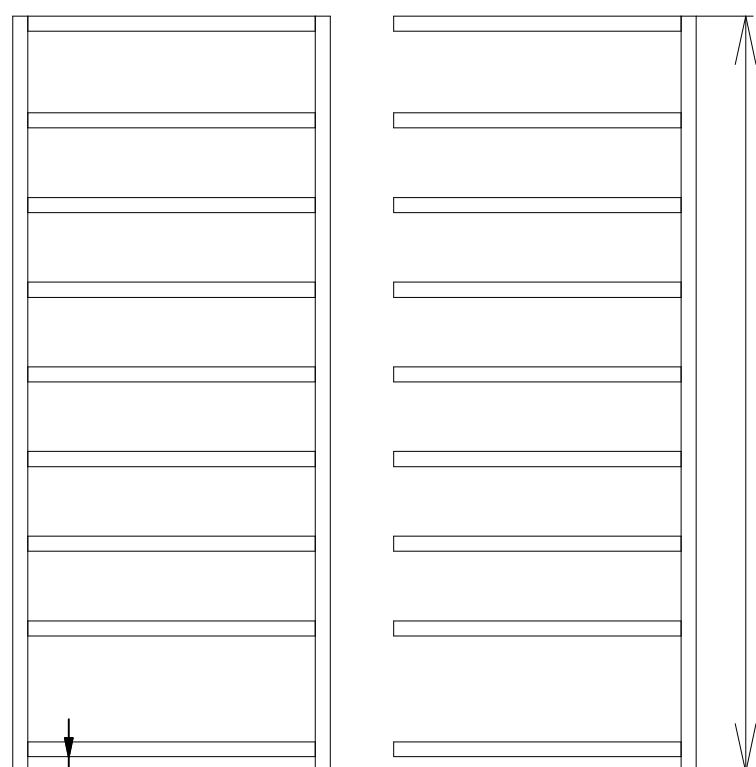




MAX. 9



MIN. 3

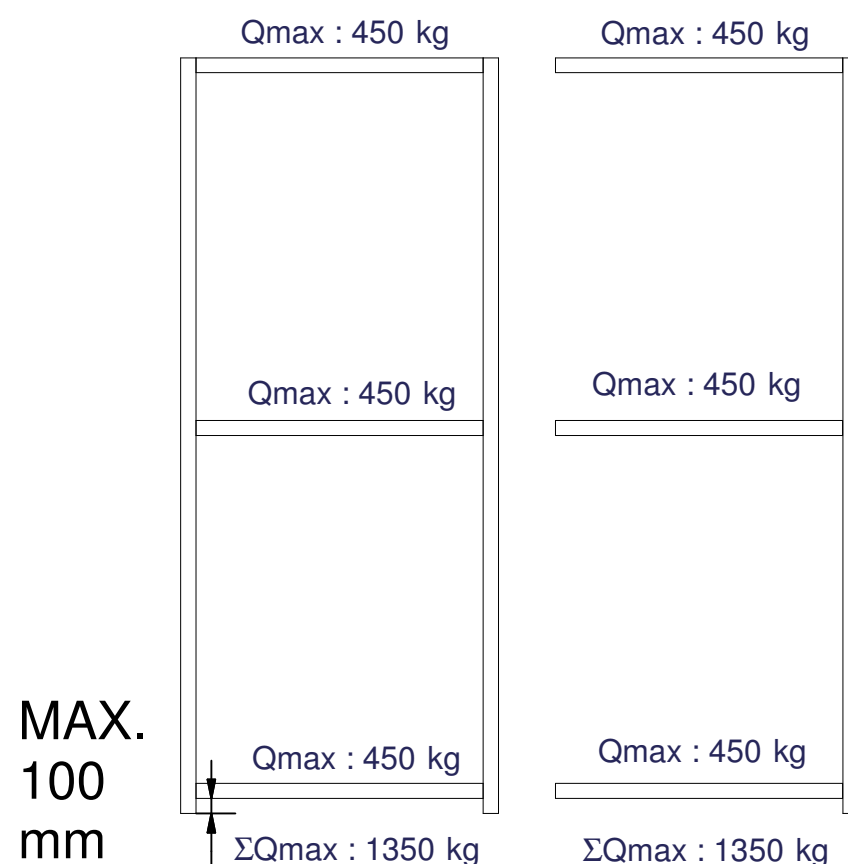


A=1508 mm
ΣQmax : 1800 kg

A=1820 mm
ΣQmax : 2250 kg

A=1974 mm
ΣQmax : 2700 kg

A=2522 mm
ΣQmax : 3150 kg



MAX. 100 mm

4.

MAX. 100 mm