
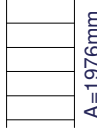

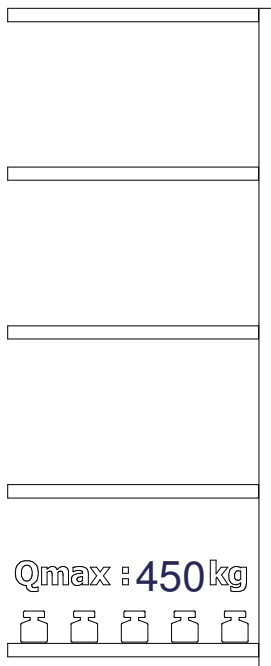
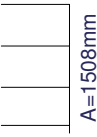



 A=1508mm	 A=1820mm	 A=1976mm	 A=2522mm
ΣQ_{max}	1800 kg	2250 kg	2700 kg	3150 kg
A	4x	4x	4x	4x
B	8x	10x	12x	14x
C	8x	10x	12x	14x
D	8x	10x	12x	14x
E	4x	4x	4x	4x
F,G	8x	8x	8x	8x
H	2x	2x	2x	2x
J	4x	5x	6x	7x



Trestles, a.s.
Na Skotnici 1168
735 71 Detmarovice
CZ

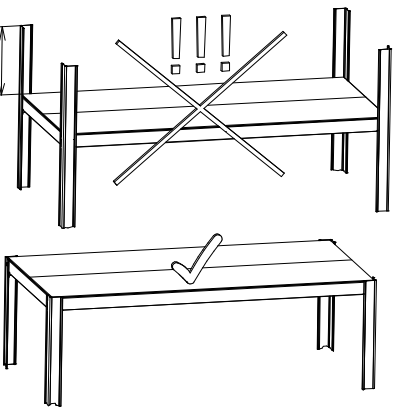


	 A=1508mm	 A=1820mm	 A=1976mm	 A=2522mm
ΣQ_{max}	1800 kg	2250 kg	2700 kg	3150 kg
A	2x	2x	2x	2x
B	8x	10x	12x	14x
C	8x	10x	12x	14x
D	8x	10x	12x	14x
E	2x	2x	2x	2x
F,G	4x	4x	4x	4x
H	1x	1x	1x	1x
J	4x	5x	6x	7x



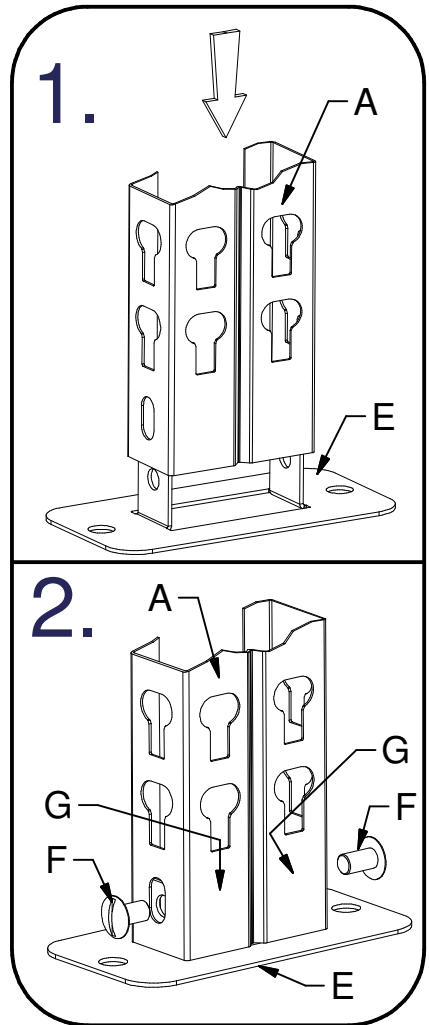
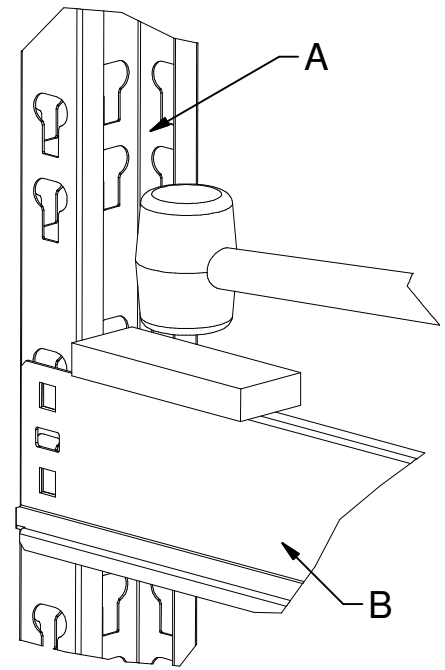
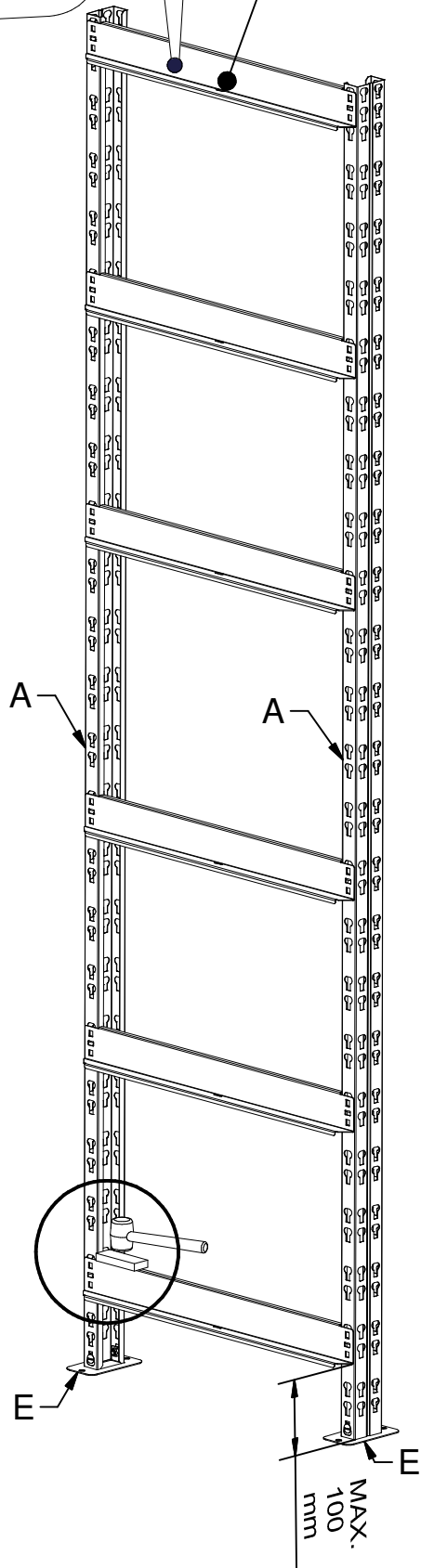
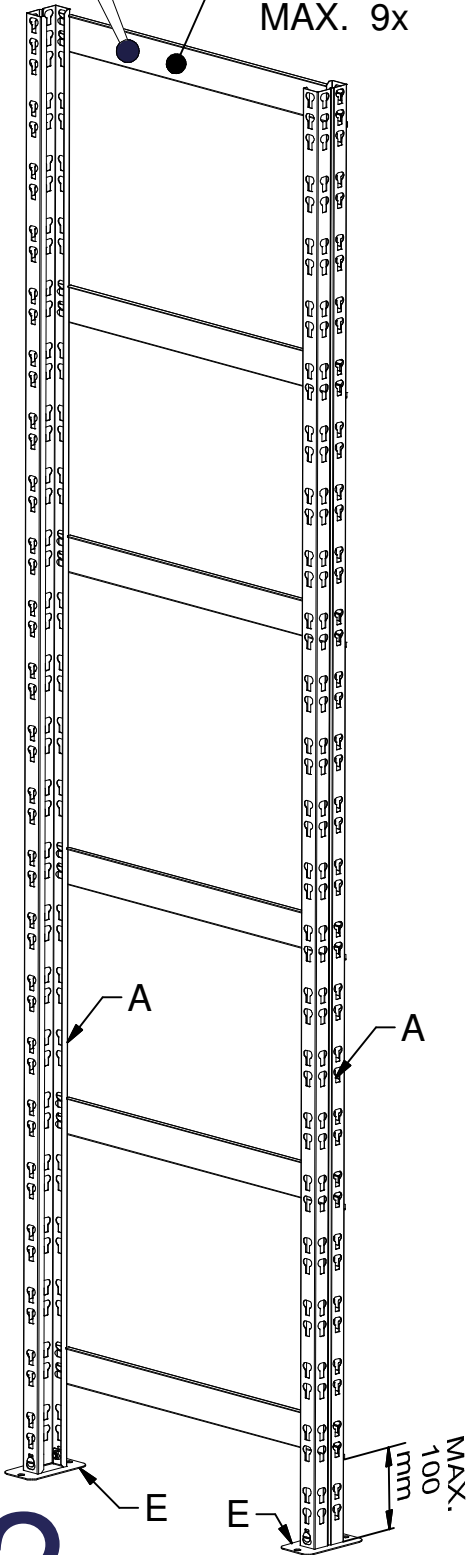
1

cca
0 mm



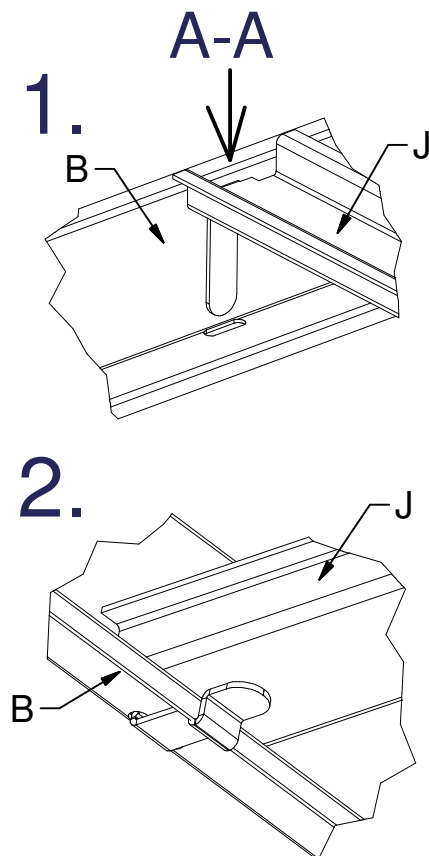
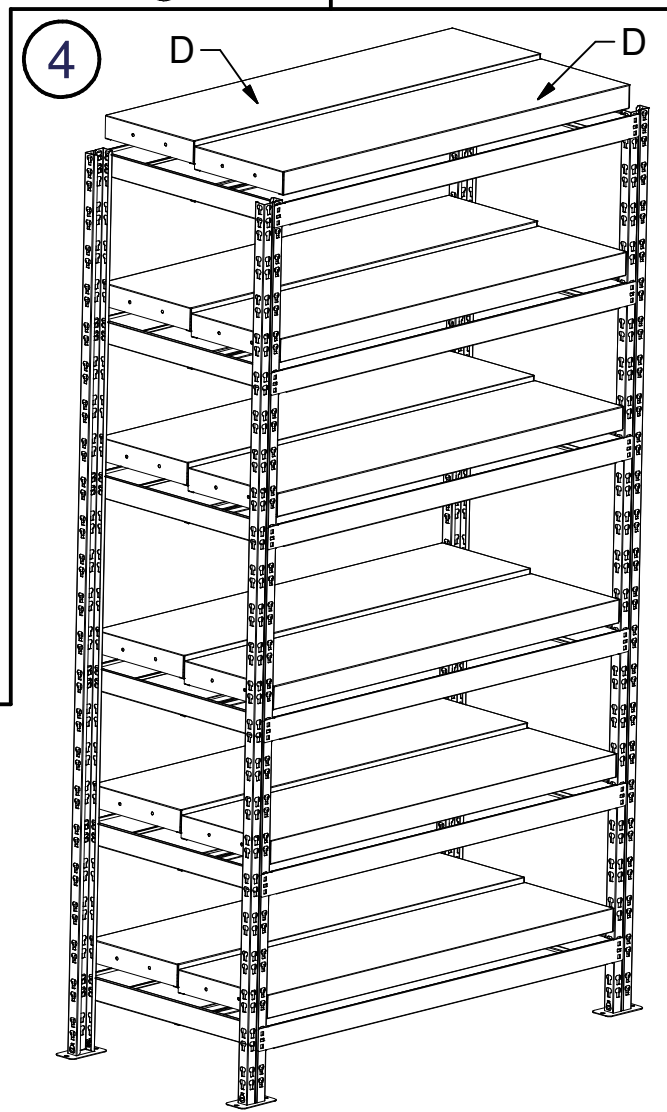
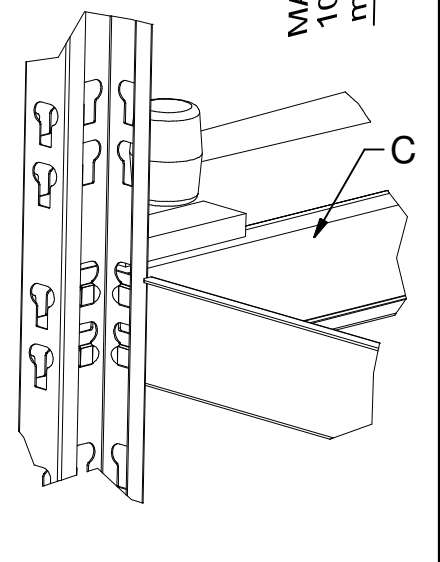
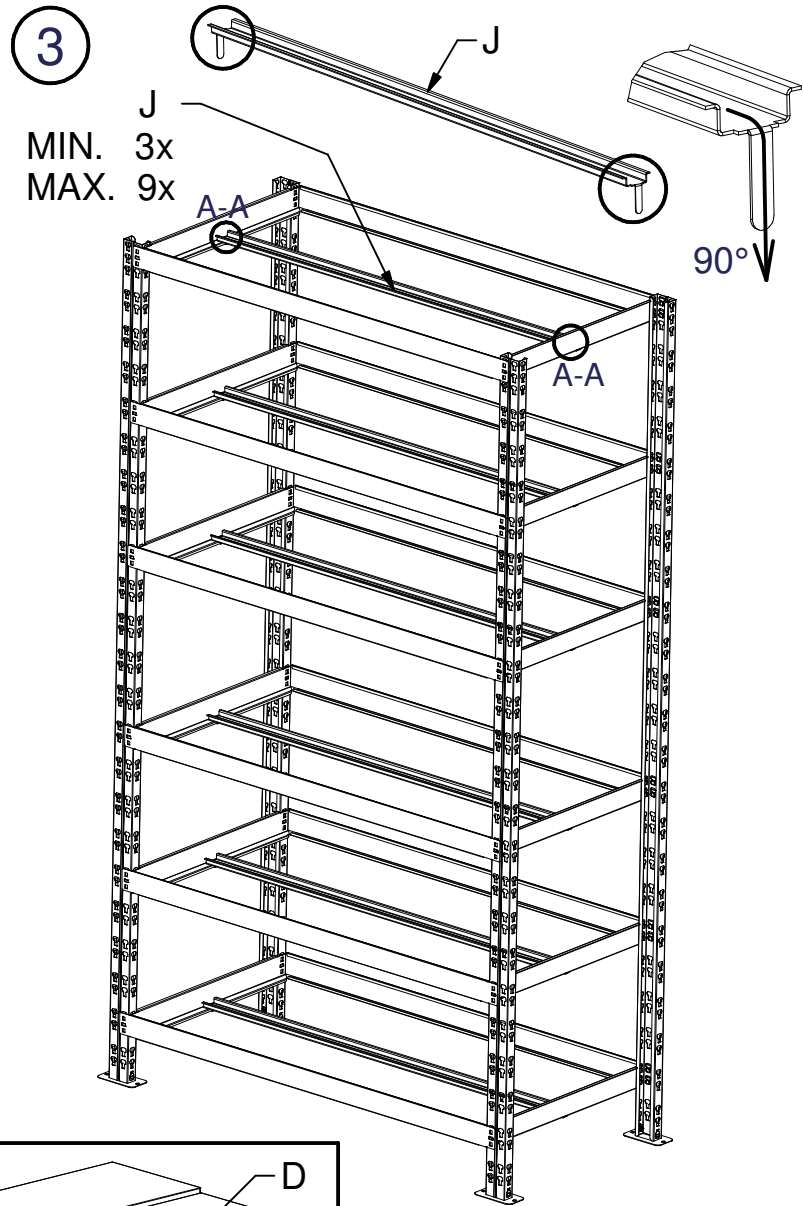
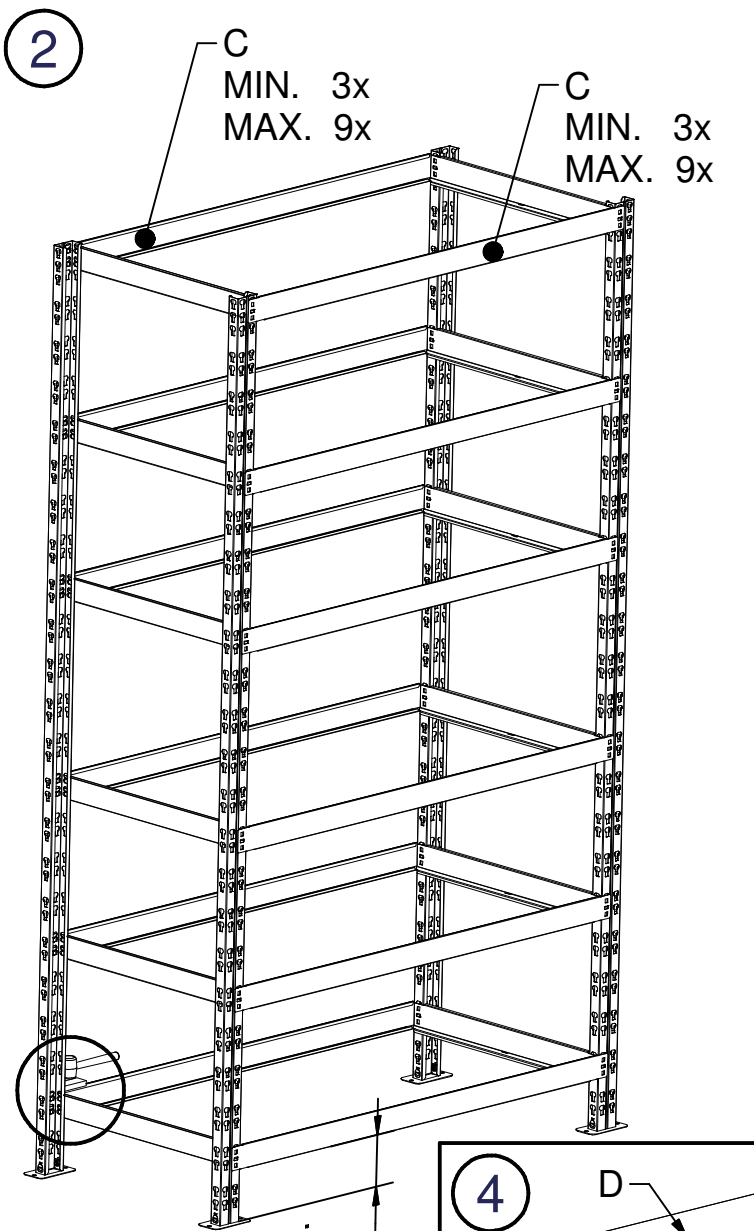
B
MIN. 3x
MAX. 9x

B
MIN. 3x
MAX. 9x



2.

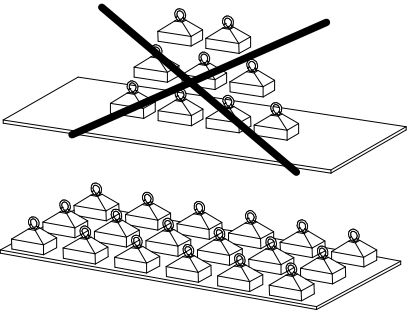
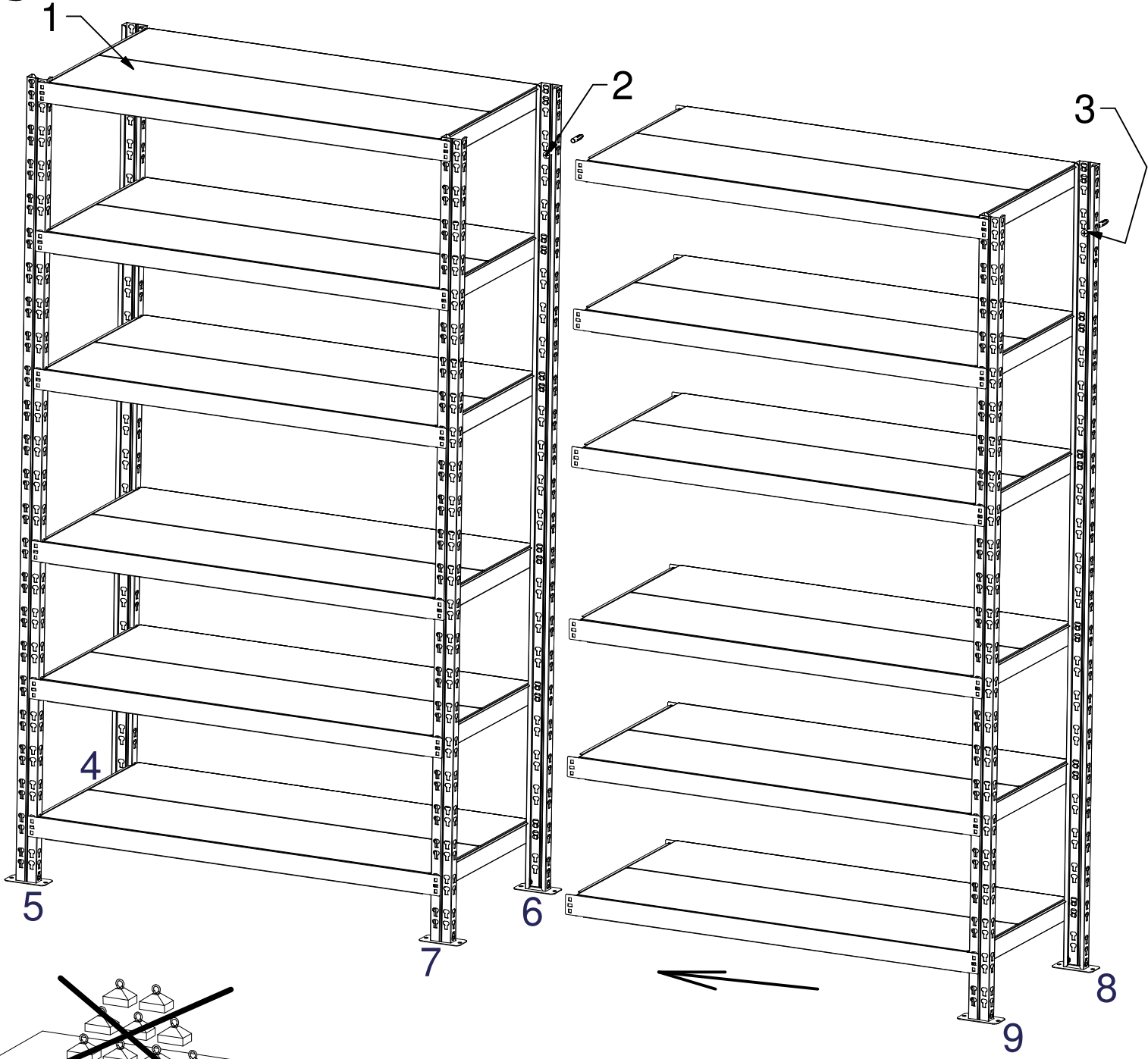




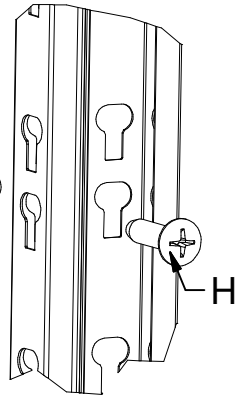
3.



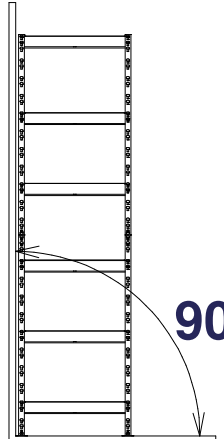
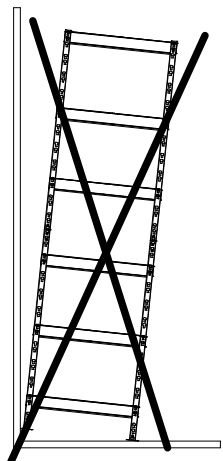
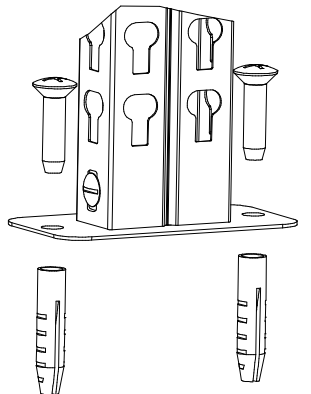
5



1,2,3



4,5,6,7,8,9



90° !!

4.



