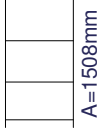

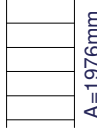

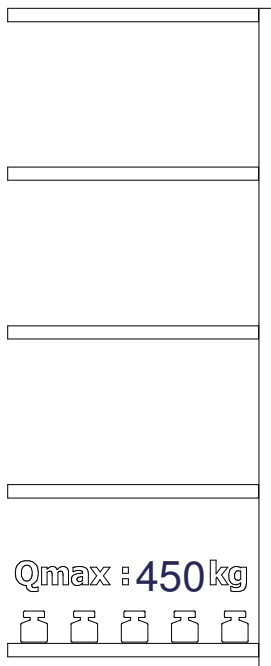
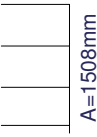





| |  A=1508mm |  A=1820mm |  A=1976mm |  A=2522mm |
|------------------|--|--|--|--|
| ΣQ_{max} | 1800 kg | 2250 kg | 2700 kg | 3150 kg |
| A | 4x | 4x | 4x | 4x |
| B | 8x | 10x | 12x | 14x |
| C | 8x | 10x | 12x | 14x |
| D | 8x | 10x | 12x | 14x |
| E | 4x | 4x | 4x | 4x |
| F,G | 8x | 8x | 8x | 8x |
| H | 2x | 2x | 2x | 2x |
| J | 4x | 5x | 6x | 7x |



Trestles, a.s.
Na Skotnici 1168
735 71 Detmarovice
CZ

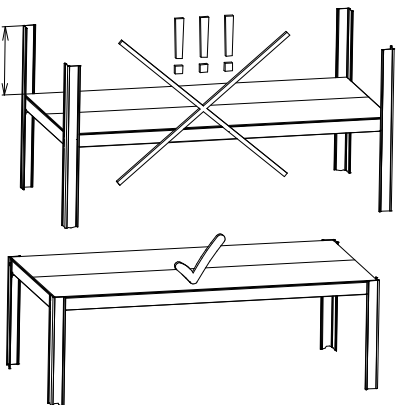


| |  A=1508mm |  A=1820mm |  A=1976mm |  A=2522mm |
|------------------|--|--|--|--|
| ΣQ_{max} | 1800 kg | 2250 kg | 2700 kg | 3150 kg |
| A | 2x | 2x | 2x | 2x |
| B | 8x | 10x | 12x | 14x |
| C | 8x | 10x | 12x | 14x |
| D | 8x | 10x | 12x | 14x |
| E | 2x | 2x | 2x | 2x |
| F,G | 4x | 4x | 4x | 4x |
| H | 1x | 1x | 1x | 1x |
| J | 4x | 5x | 6x | 7x |



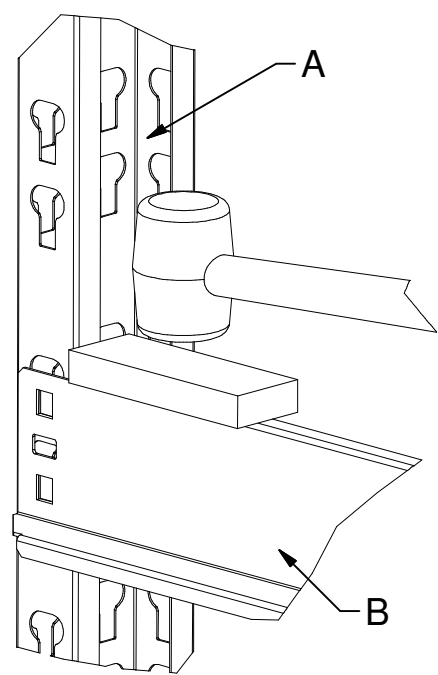
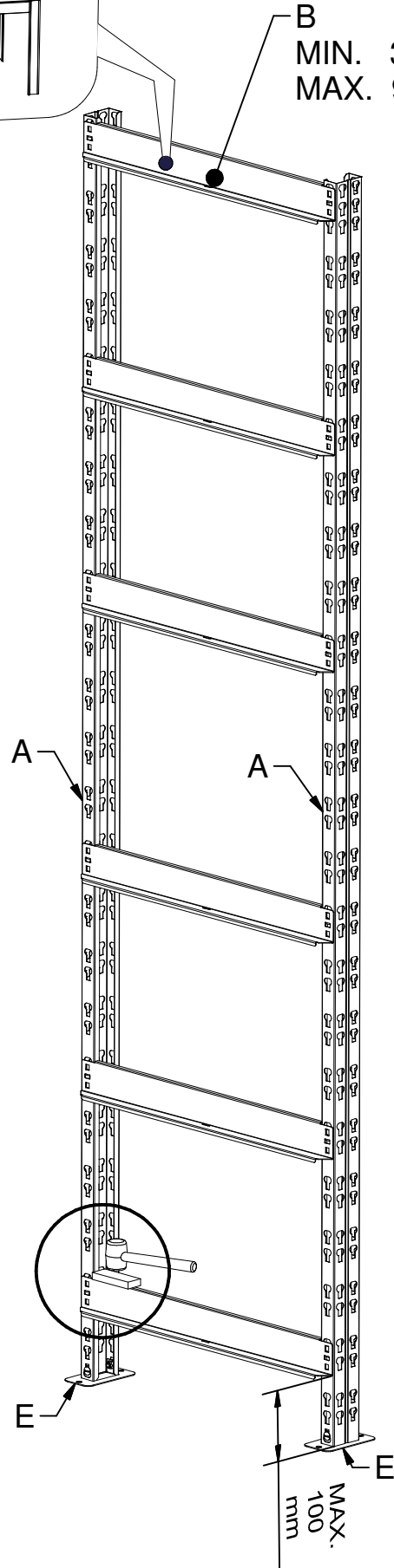
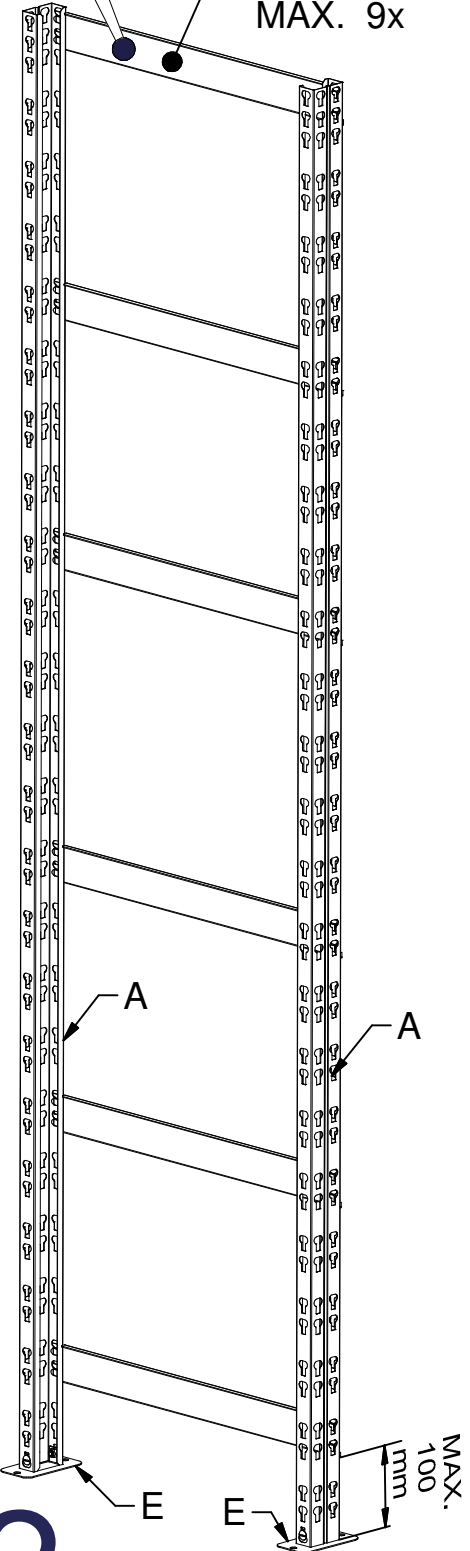
1

cca
0 mm

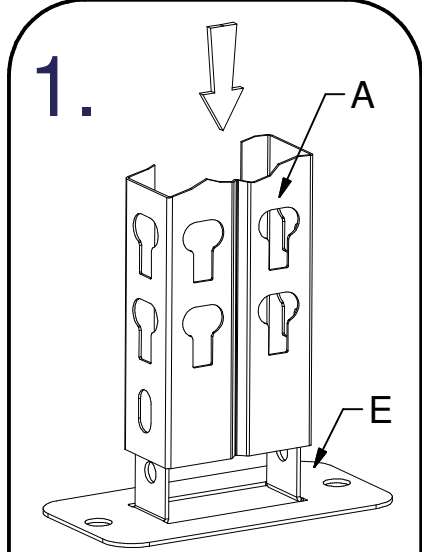


B
MIN. 3x
MAX. 9x

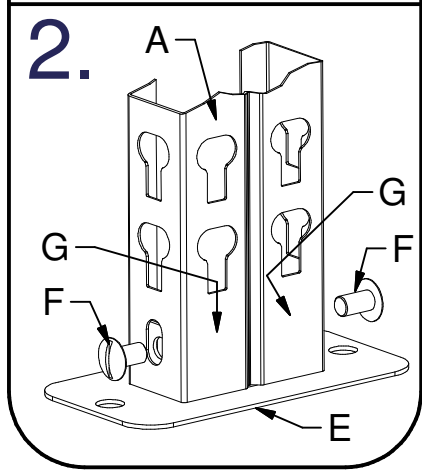
B
MIN. 3x
MAX. 9x



1.

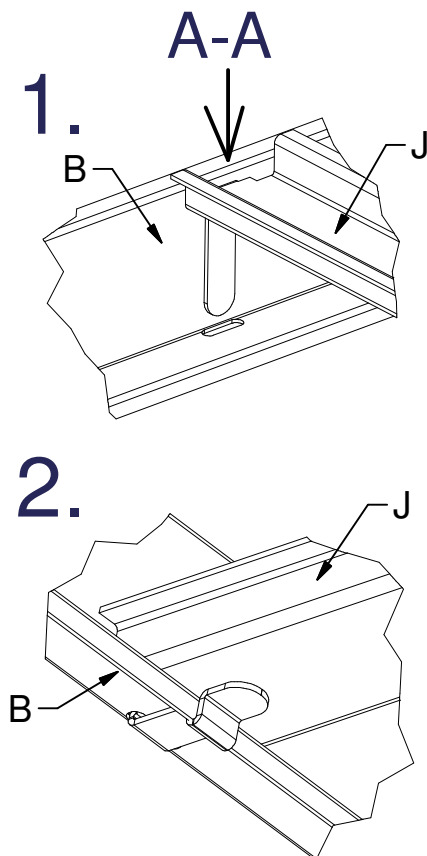
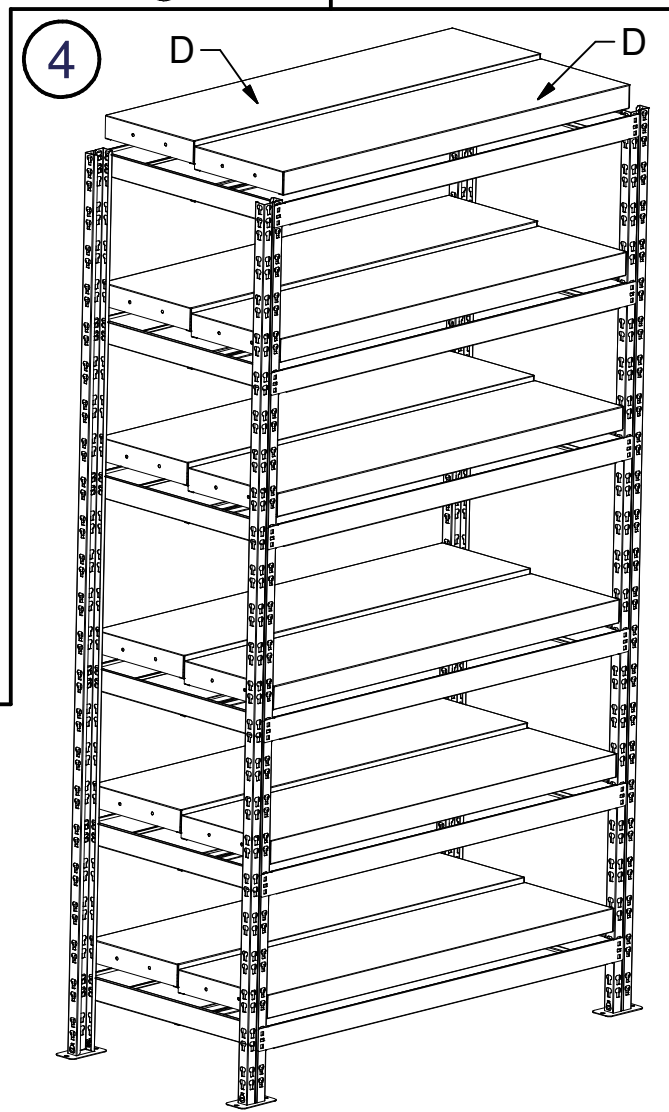
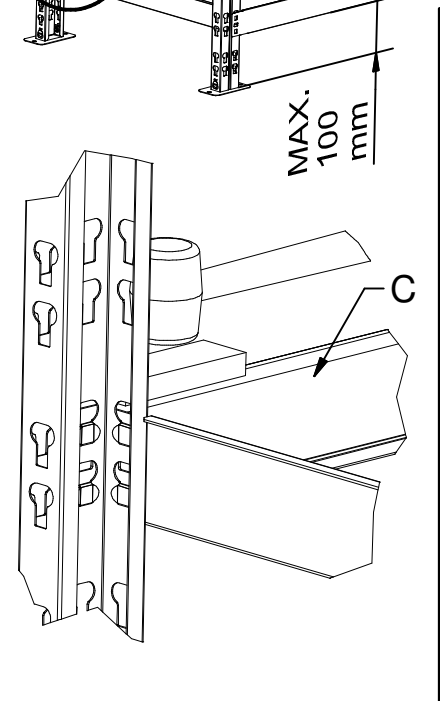
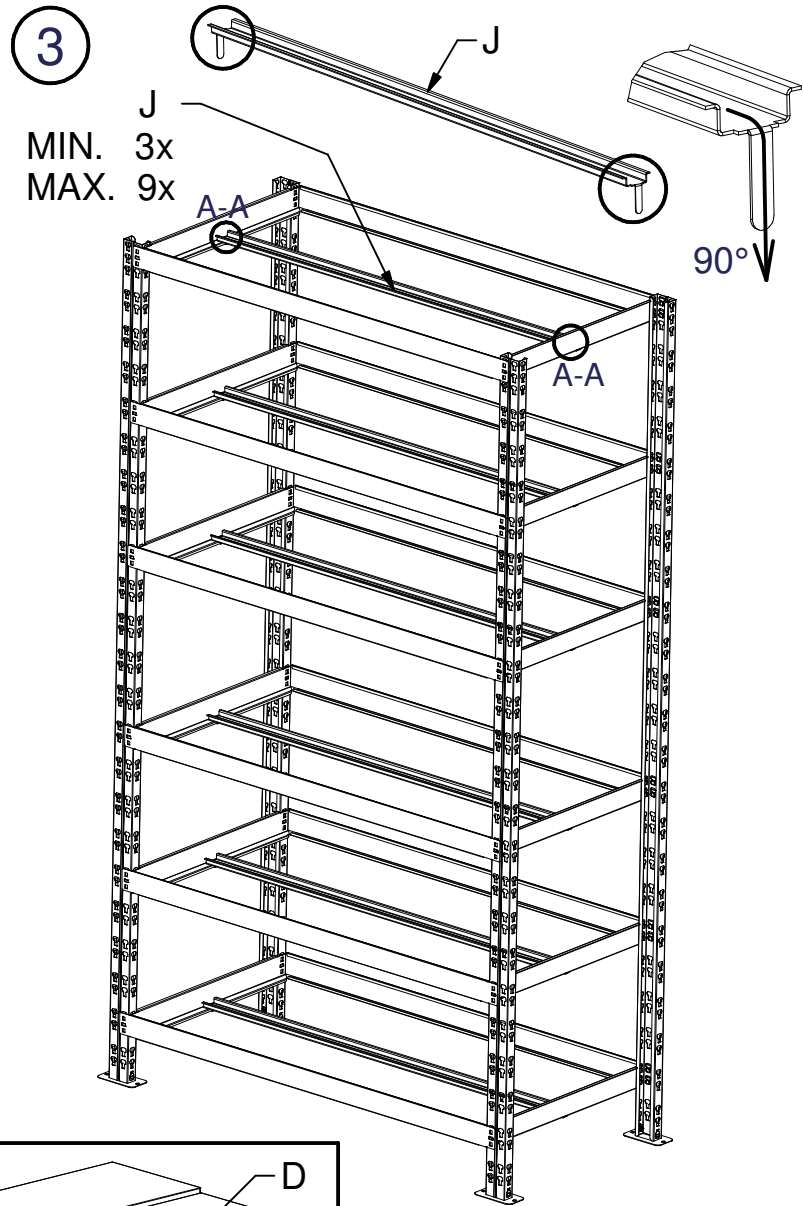
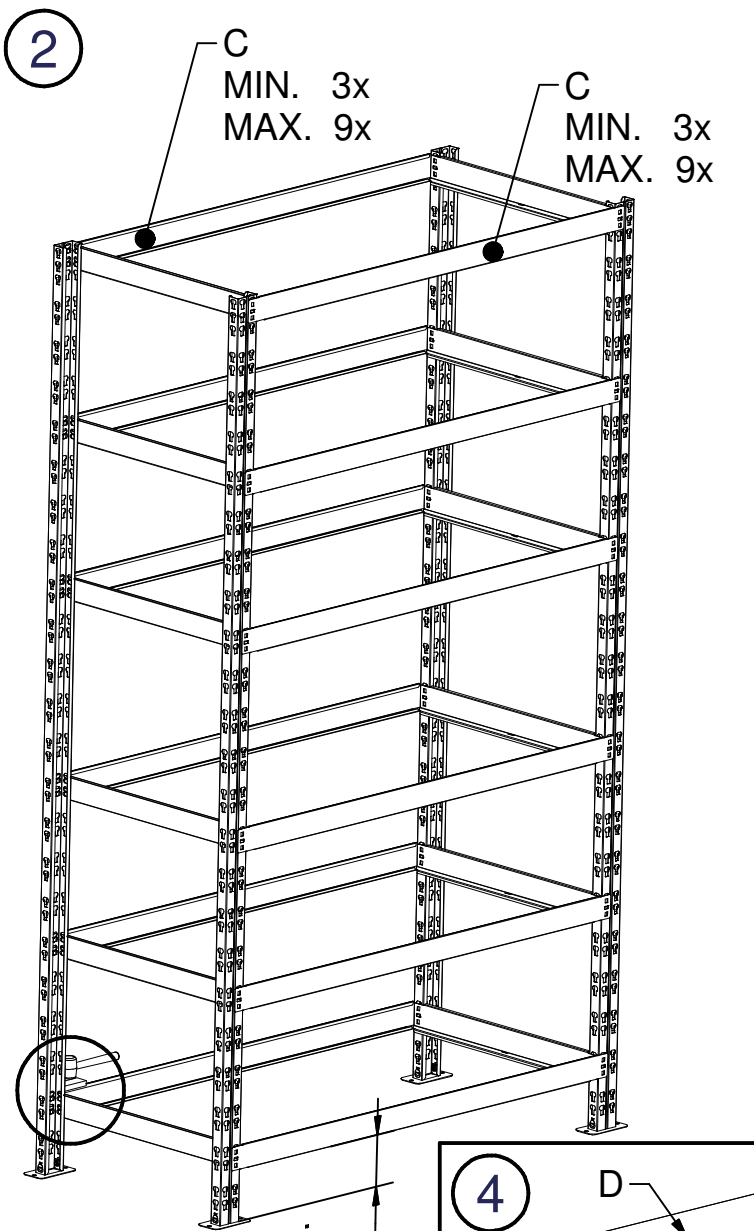


2.



2.

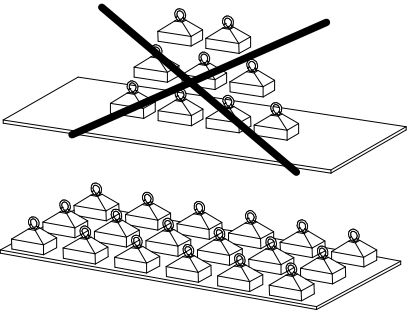
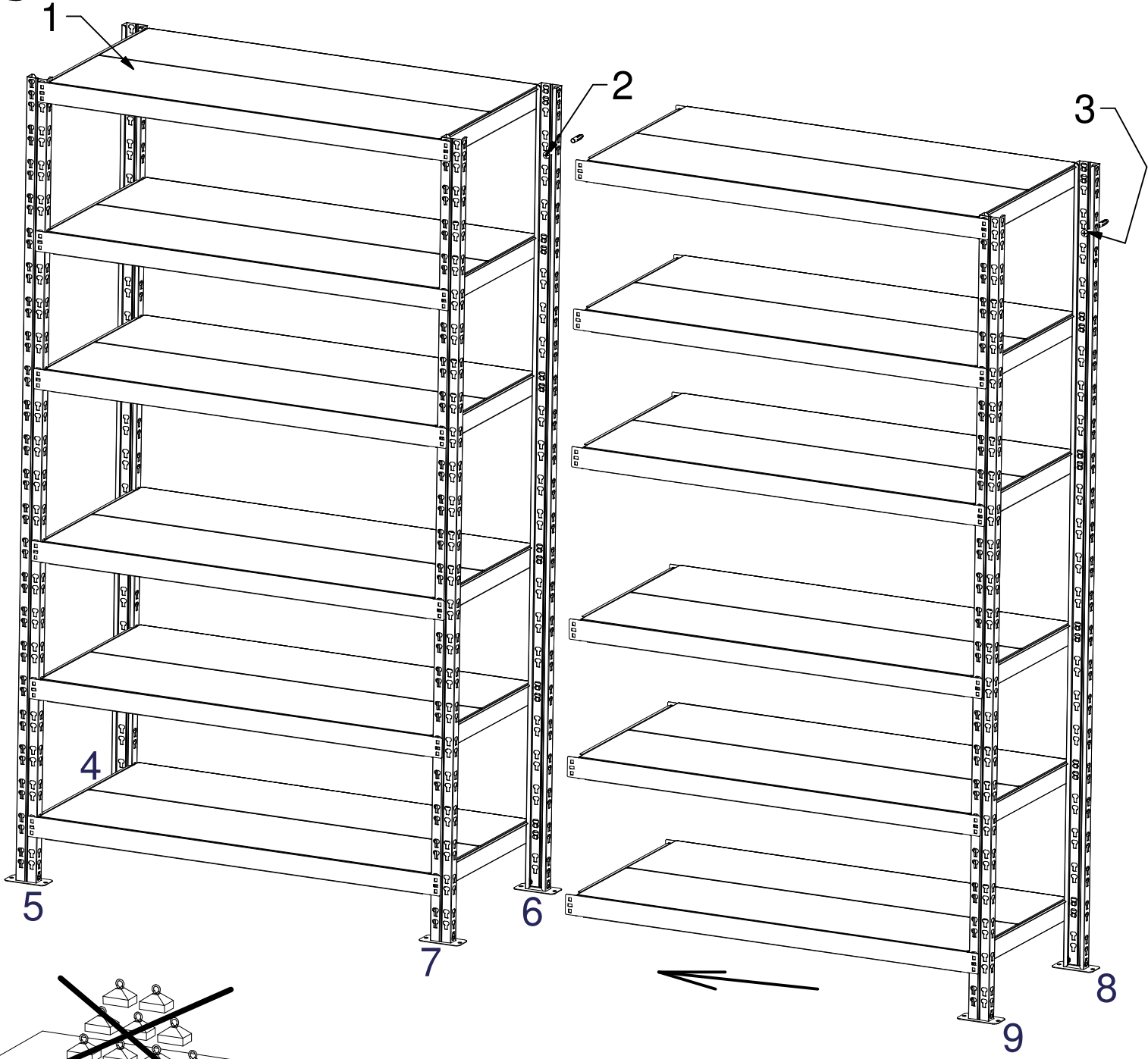




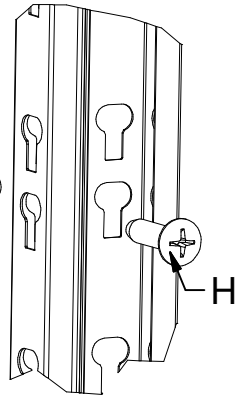
3.



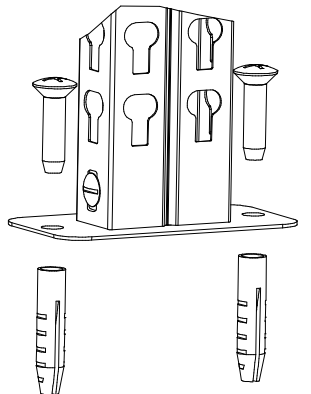
5



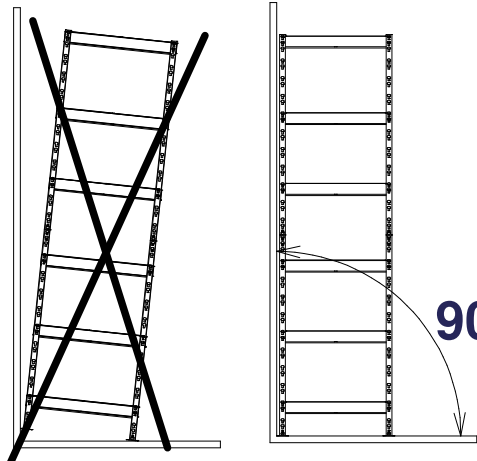
1,2,3



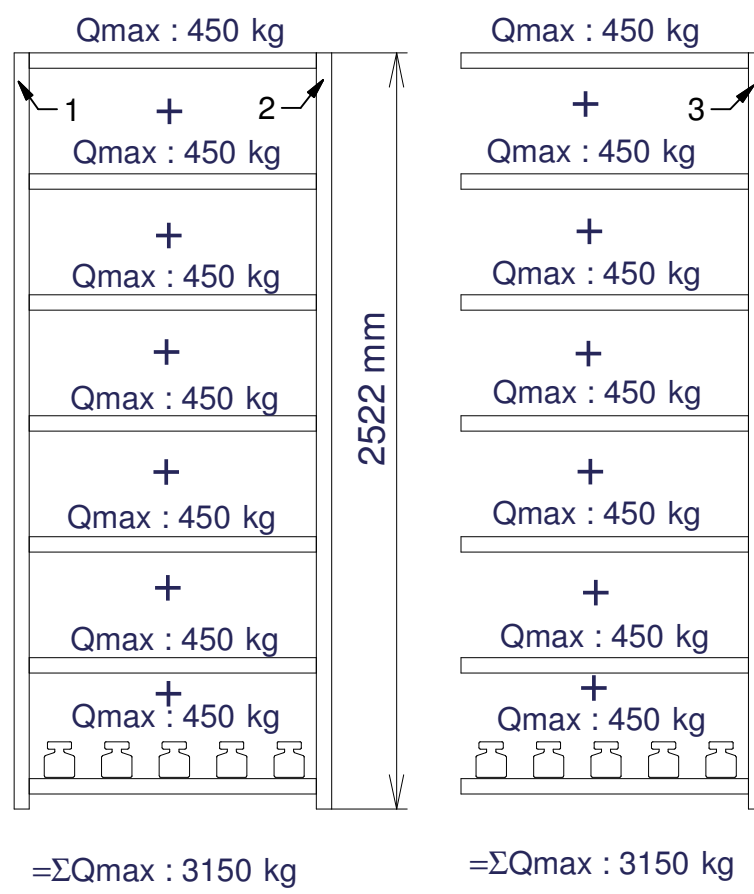
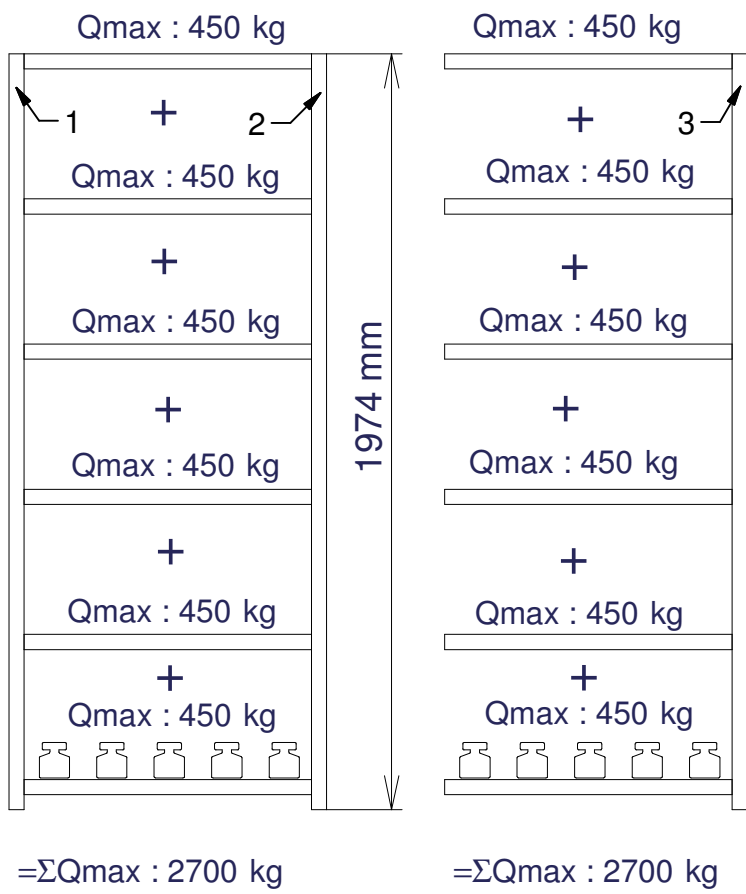
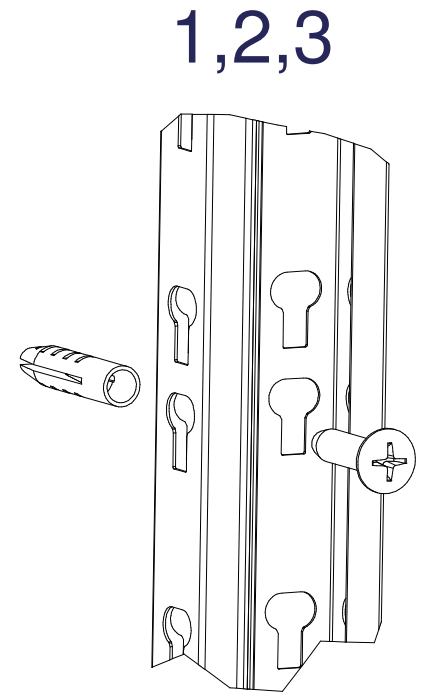
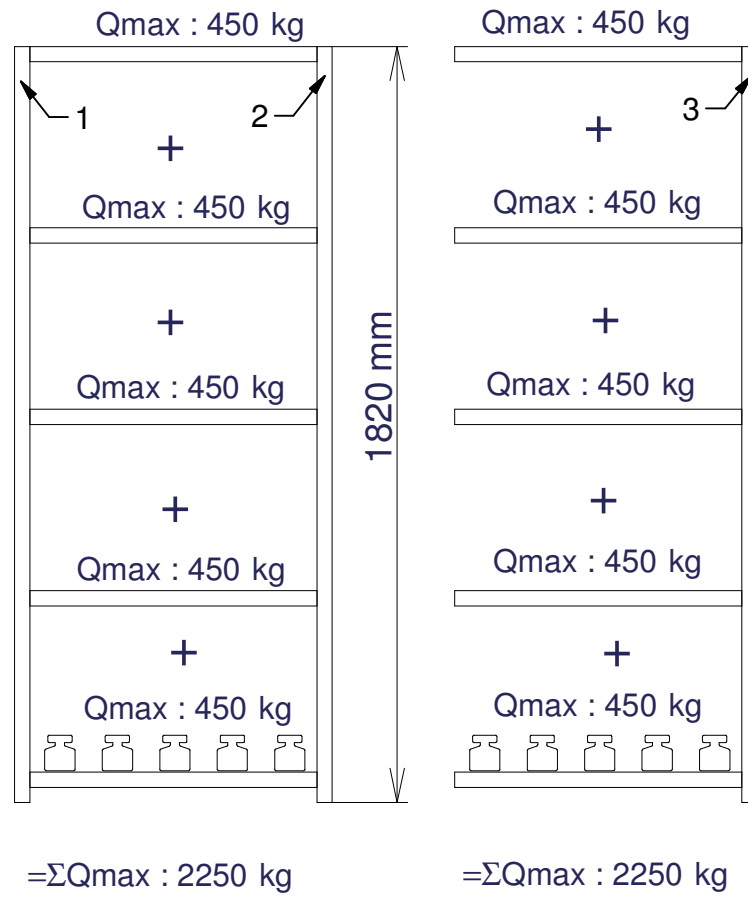
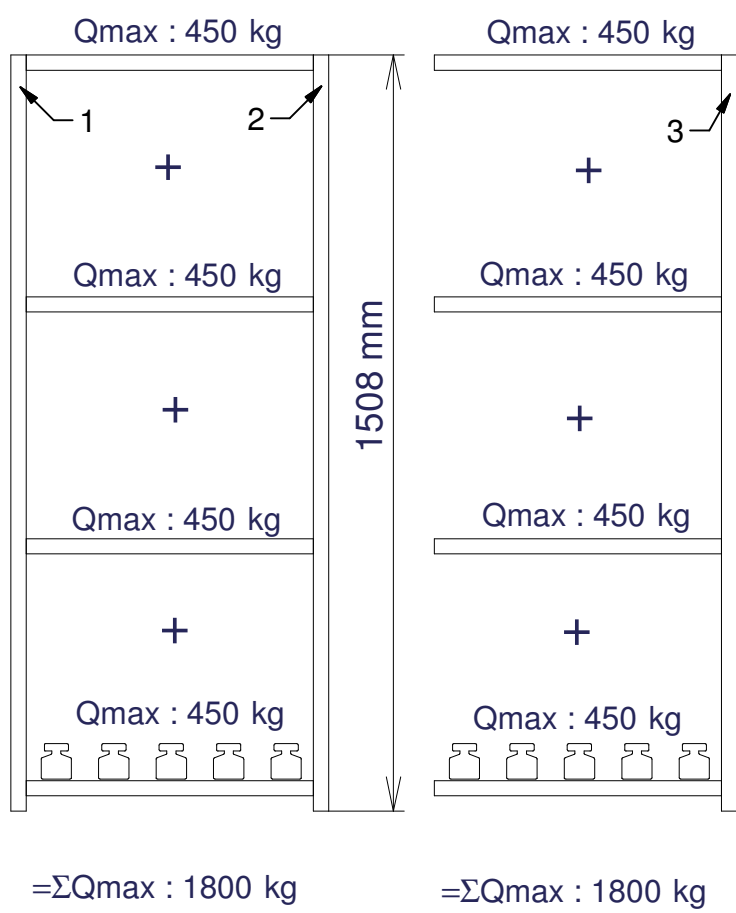
4,5,6,7,8,9



90° !!



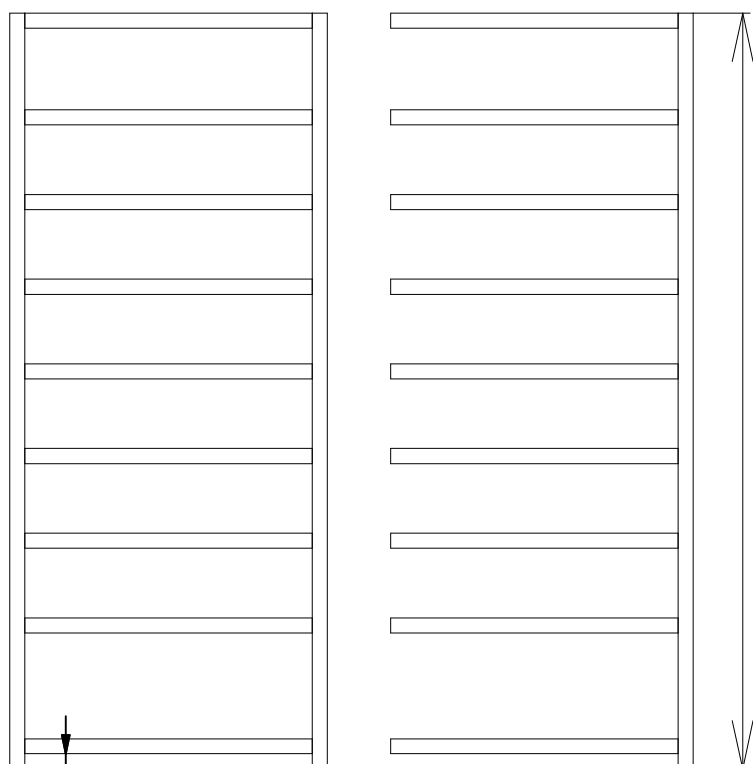
4.



MAX. 9



MIN. 3

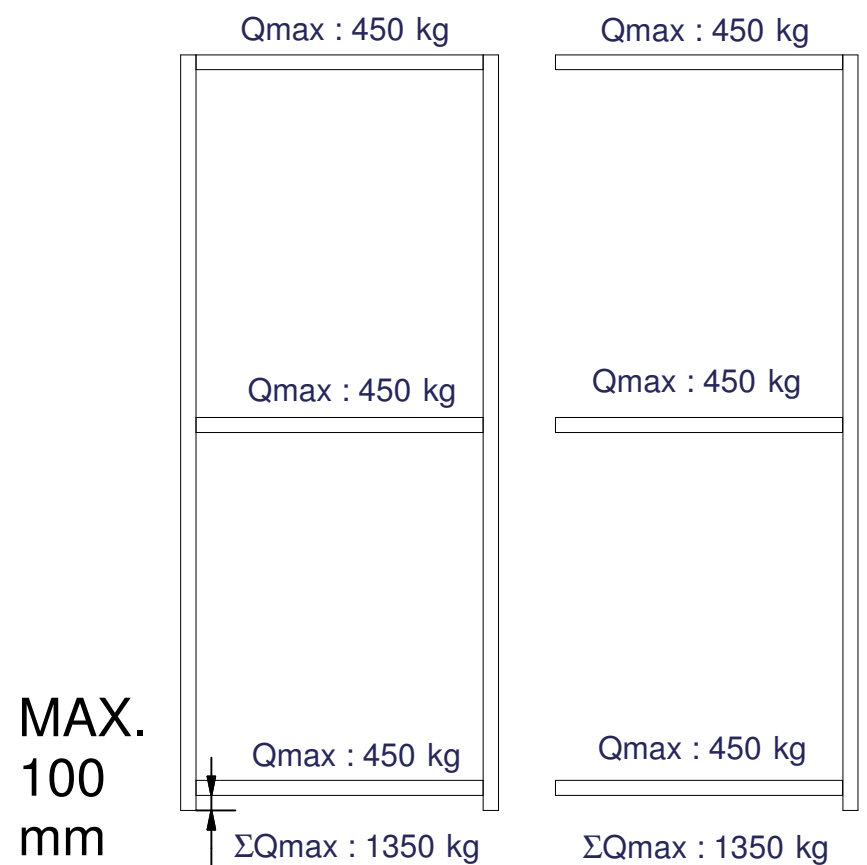


A=1508 mm
ΣQmax : 1800 kg

A=1820 mm
ΣQmax : 2250 kg

A=1974 mm
ΣQmax : 2700 kg

A=2522 mm
ΣQmax : 3150 kg



5.