
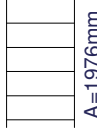

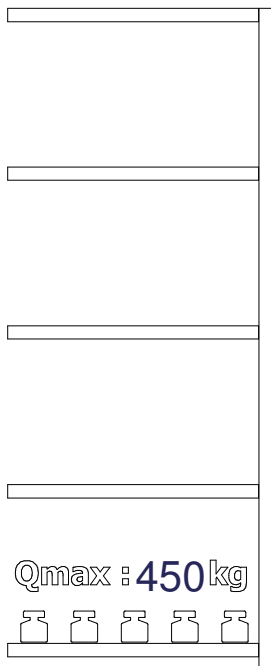
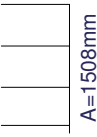



 A=1508mm	 A=1820mm	 A=1976mm	 A=2522mm
$\Sigma Q_{max}$	1800 kg	2250 kg	2700 kg	3150 kg
A	4x	4x	4x	4x
B	8x	10x	12x	14x
C	8x	10x	12x	14x
D	8x	10x	12x	14x
E	4x	4x	4x	4x
F,G	8x	8x	8x	8x
H	2x	2x	2x	2x
J	4x	5x	6x	7x



Trestles, a.s.  
Na Skotnici 1168  
735 71 Detmarovice  
CZ

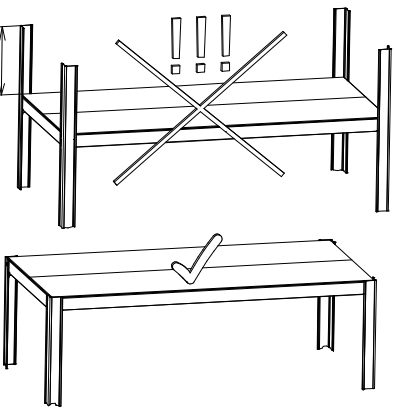


	 A=1508mm	 A=1820mm	 A=1976mm	 A=2522mm
$\Sigma Q_{max}$	1800 kg	2250 kg	2700 kg	3150 kg
A	2x	2x	2x	2x
B	8x	10x	12x	14x
C	8x	10x	12x	14x
D	8x	10x	12x	14x
E	2x	2x	2x	2x
F,G	4x	4x	4x	4x
H	1x	1x	1x	1x
J	4x	5x	6x	7x



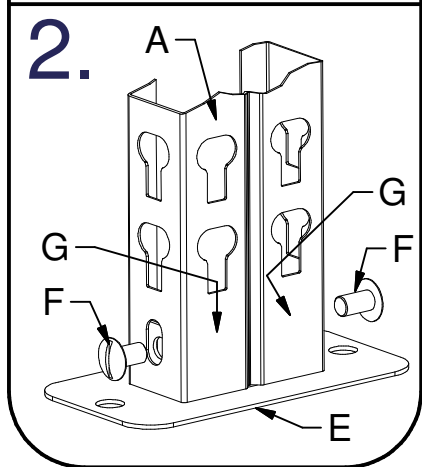
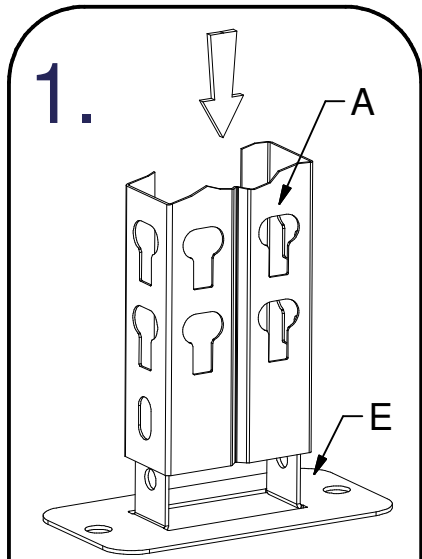
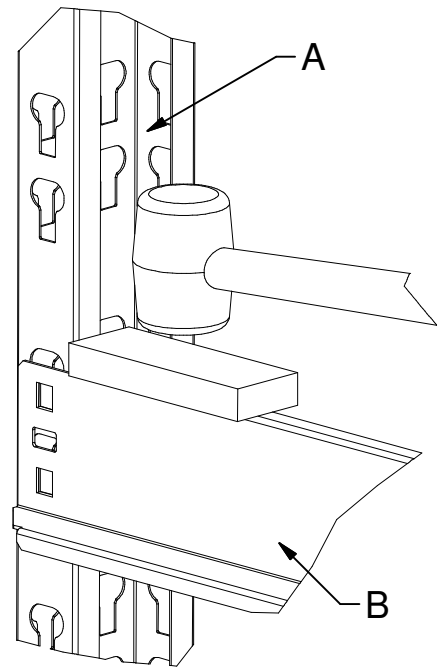
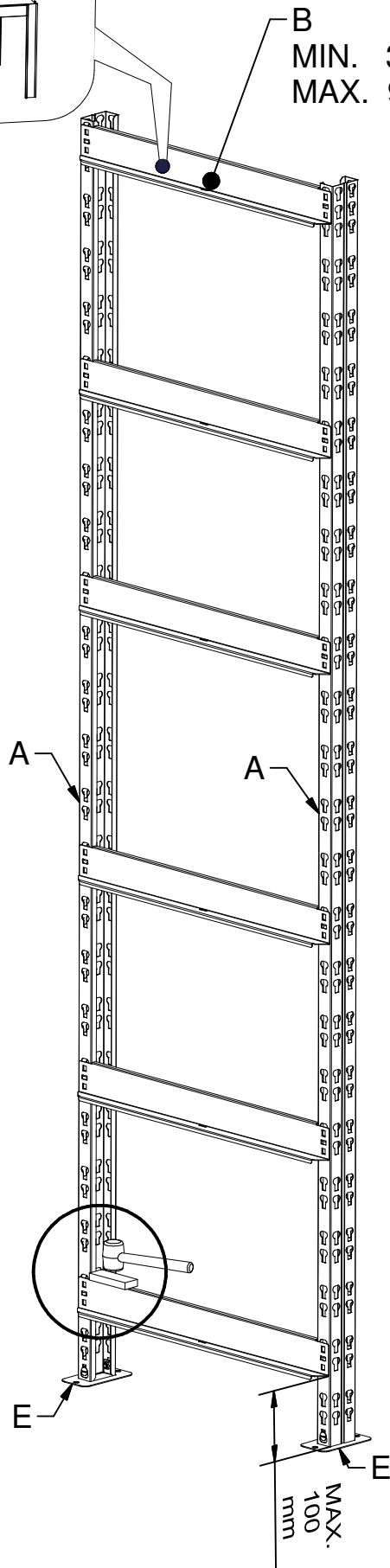
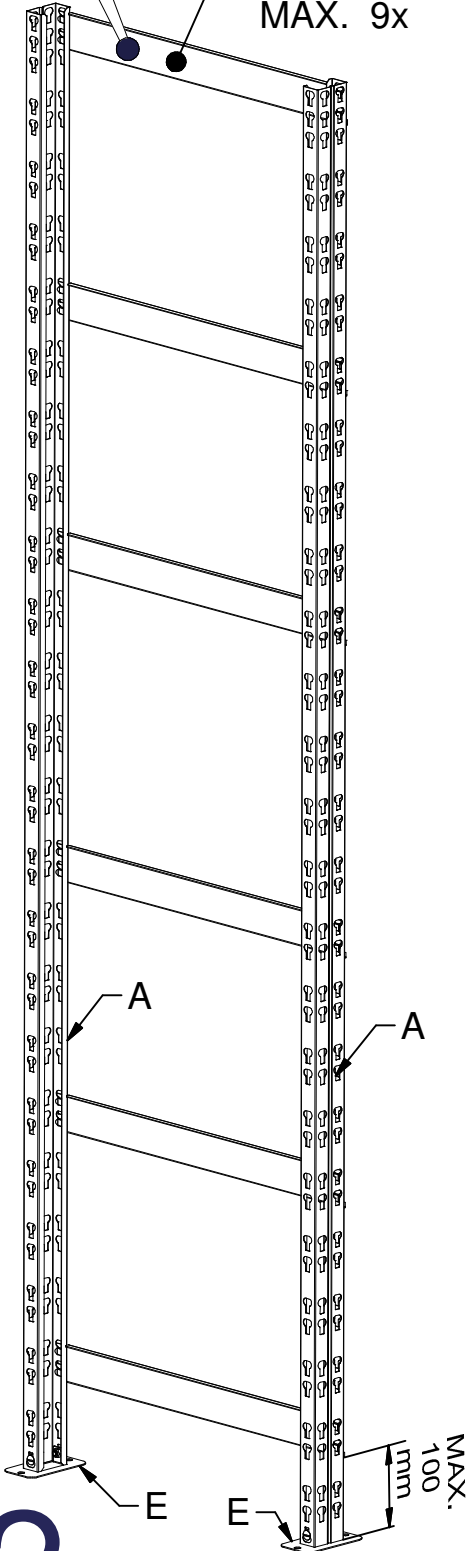
1

cca  
0 mm



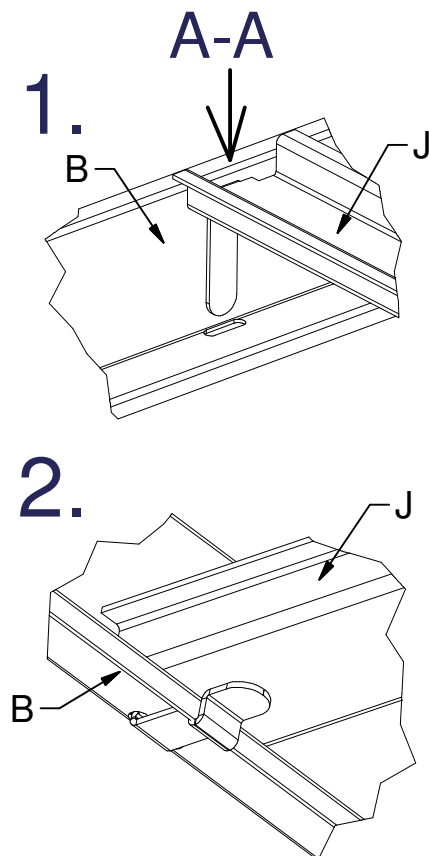
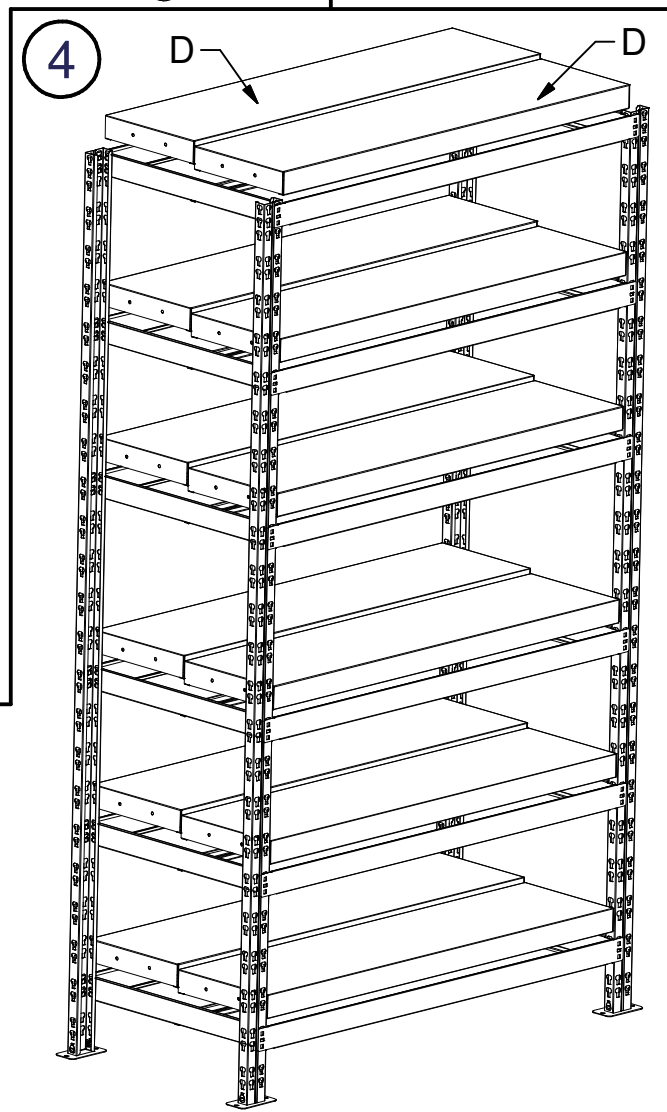
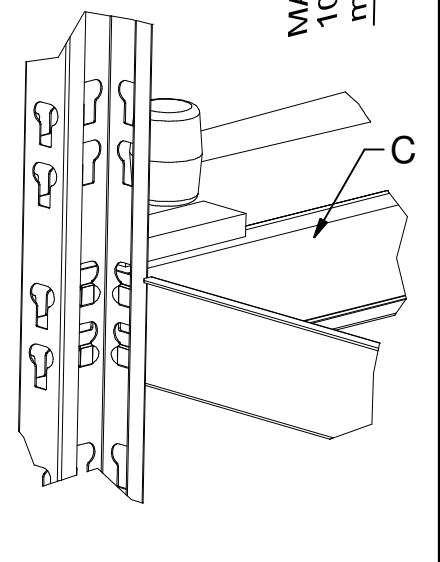
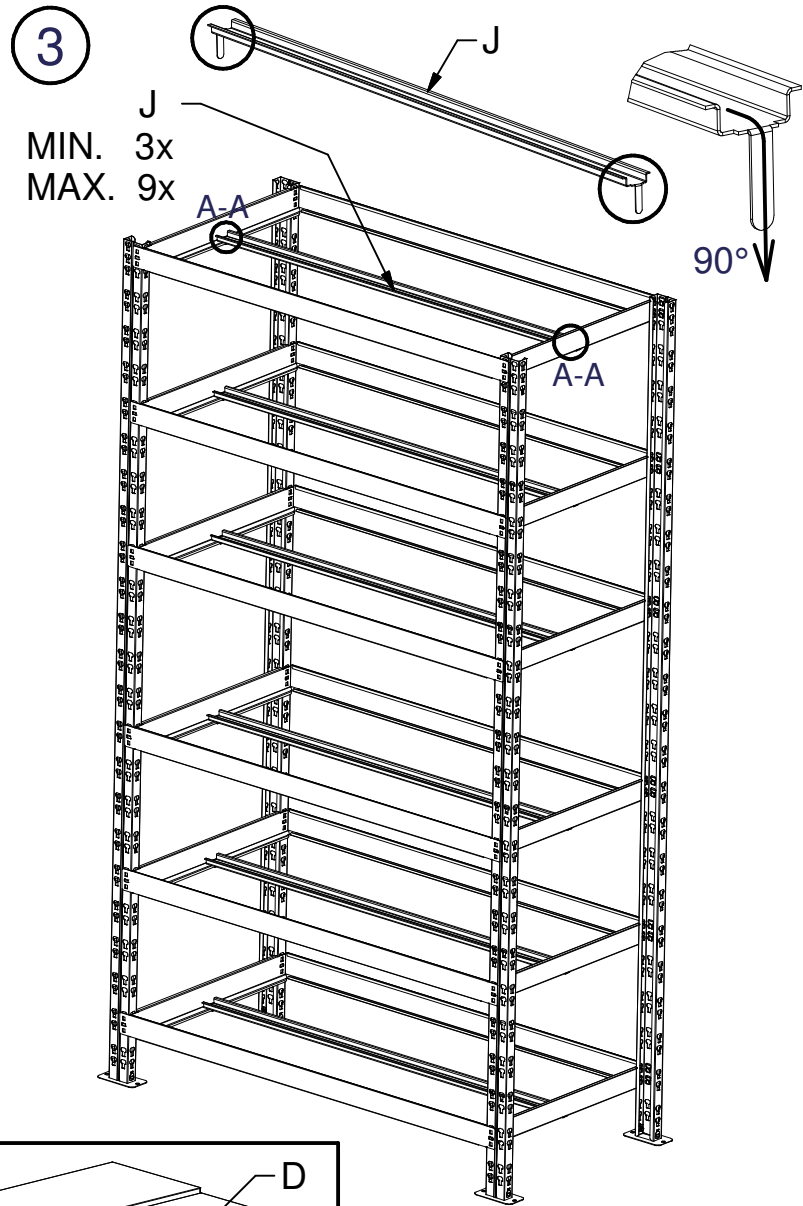
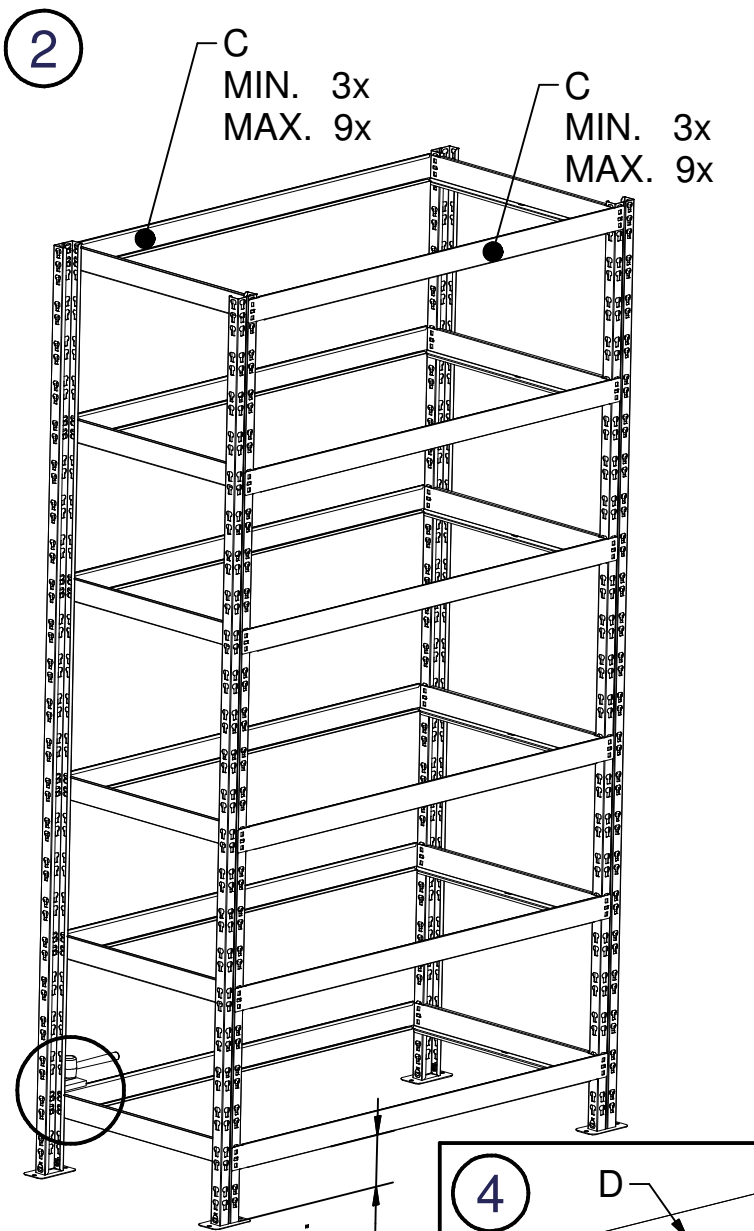
B  
MIN. 3x  
MAX. 9x

B  
MIN. 3x  
MAX. 9x



2.

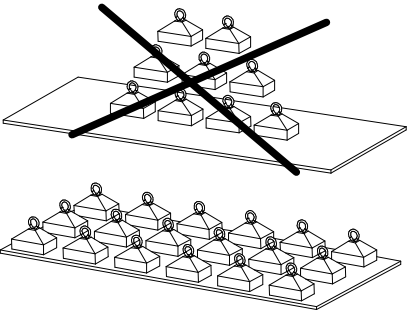
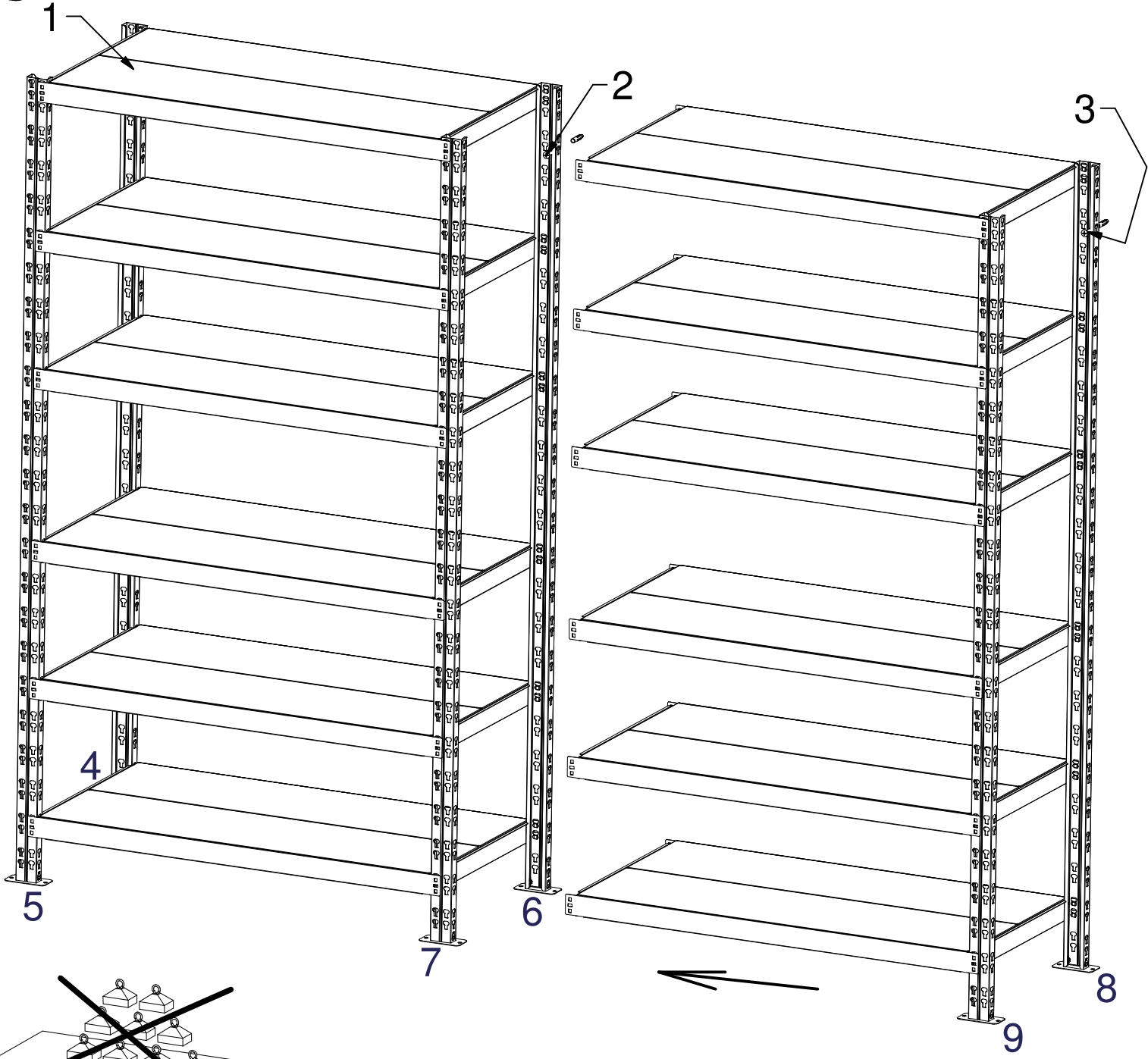




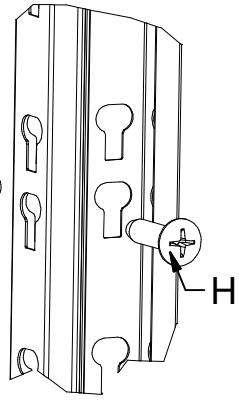
**3.**



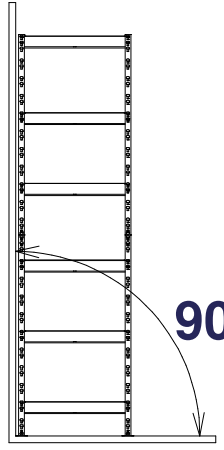
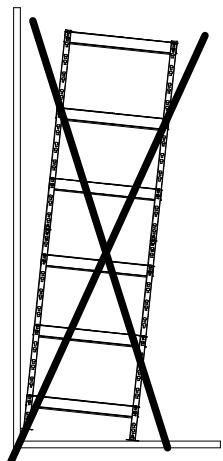
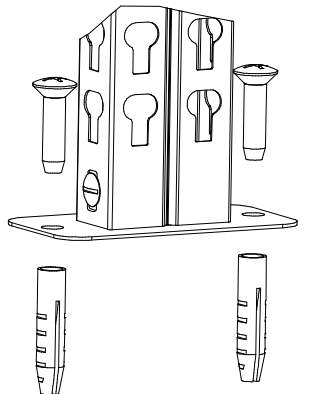
5



1,2,3



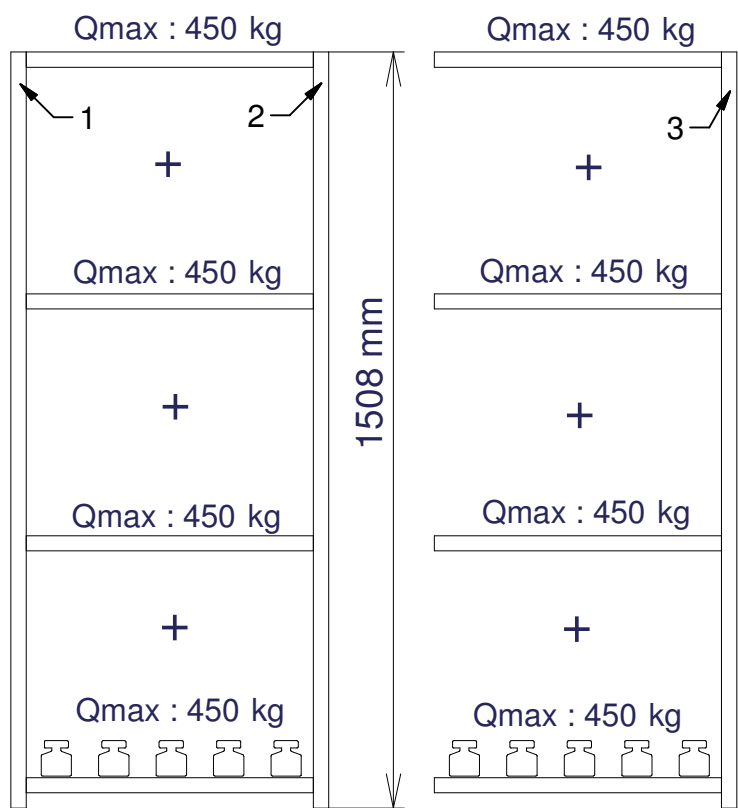
4,5,6,7,8,9



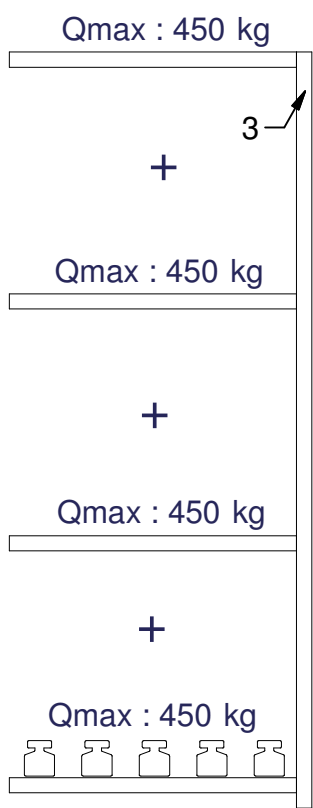
90° !!

4.

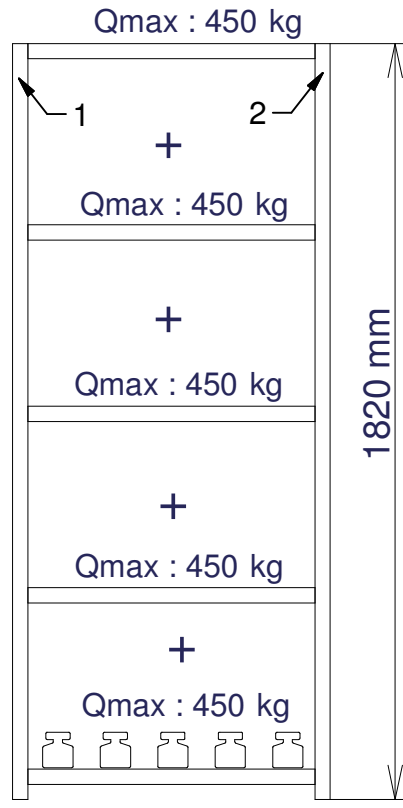




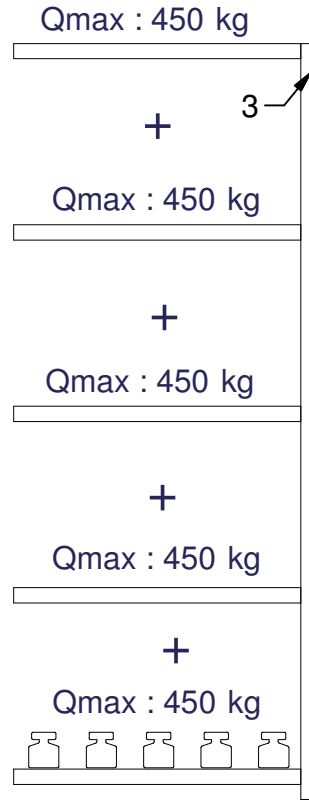
= $\Sigma$ Qmax : 1800 kg



= $\Sigma$ Qmax : 1800 kg

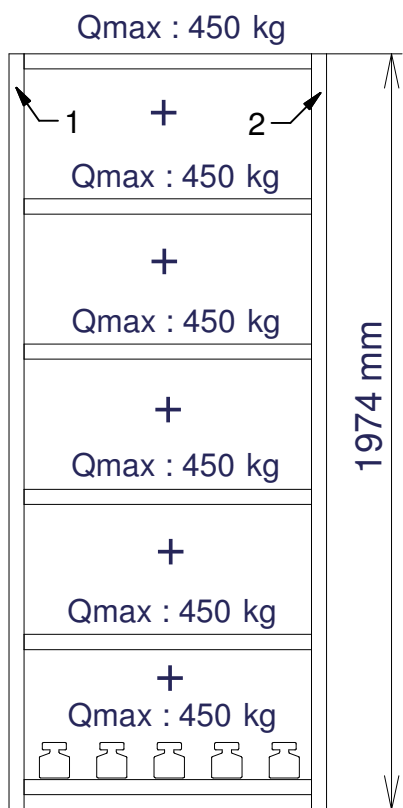
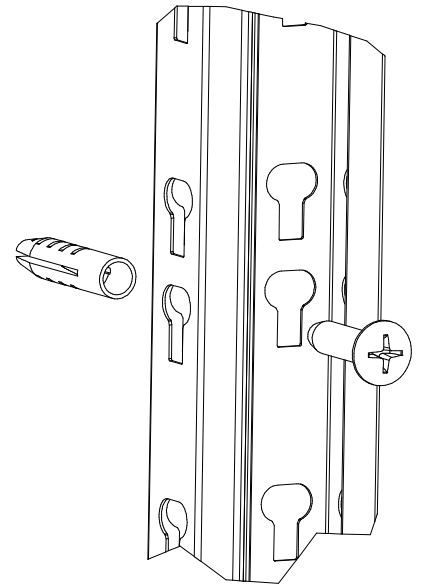


= $\Sigma$ Qmax : 2250 kg

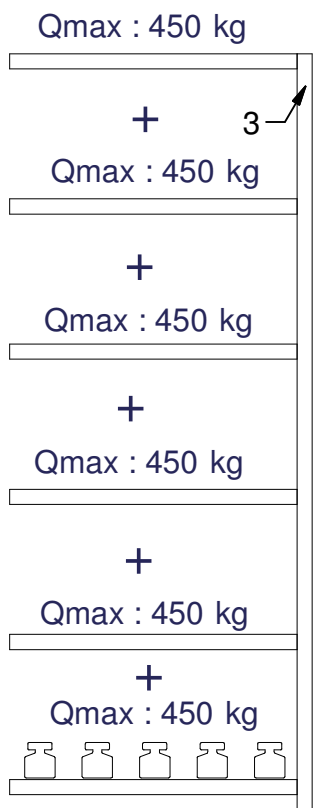


= $\Sigma$ Qmax : 2250 kg

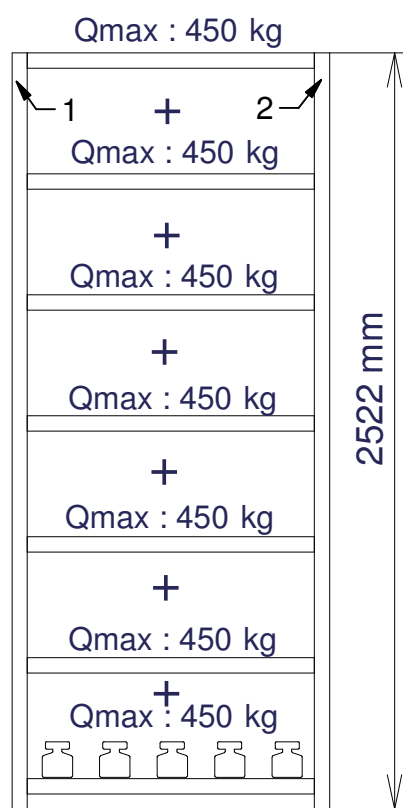
1,2,3



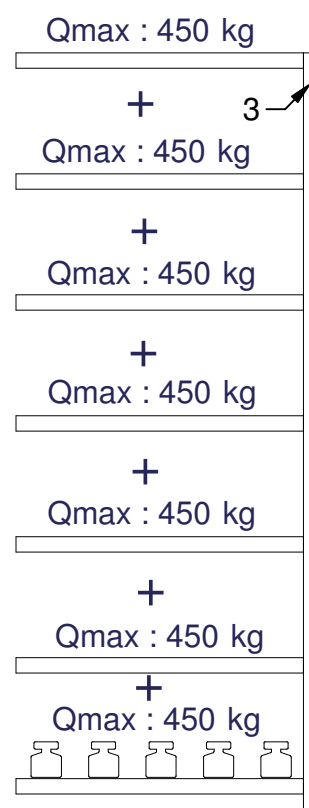
= $\Sigma$ Qmax : 2700 kg



= $\Sigma$ Qmax : 2700 kg



= $\Sigma$ Qmax : 3150 kg

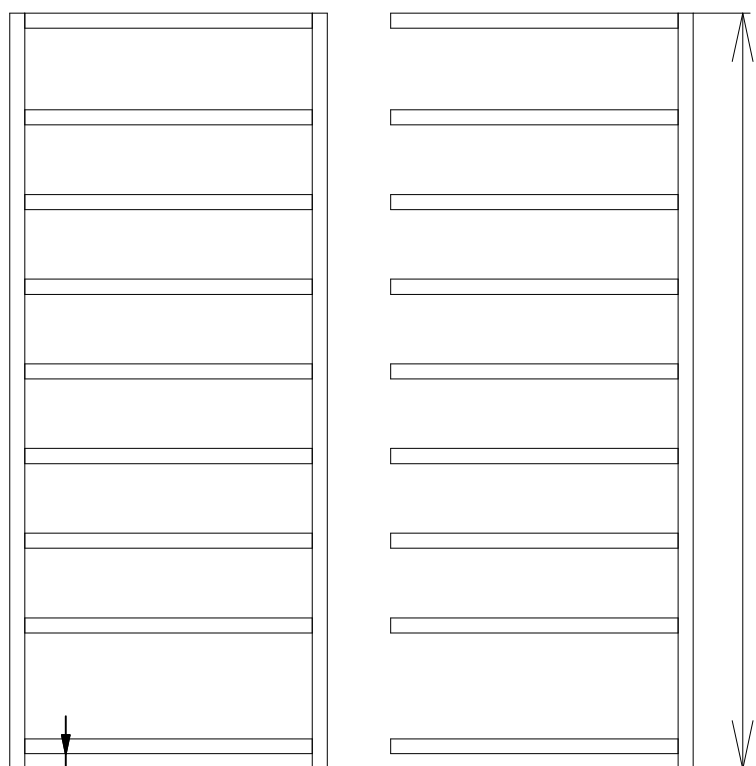


= $\Sigma$ Qmax : 3150 kg

MAX. 9

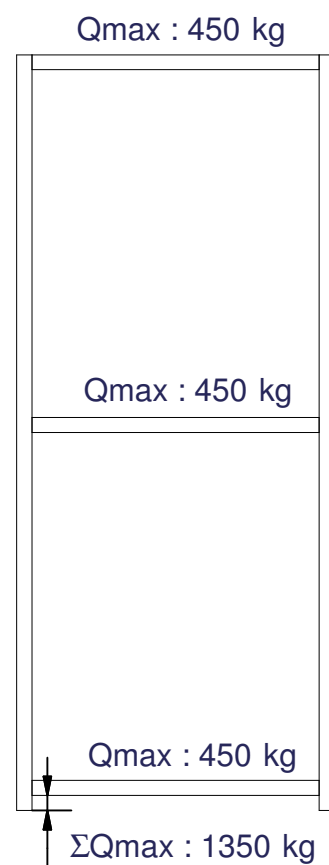


MIN. 3

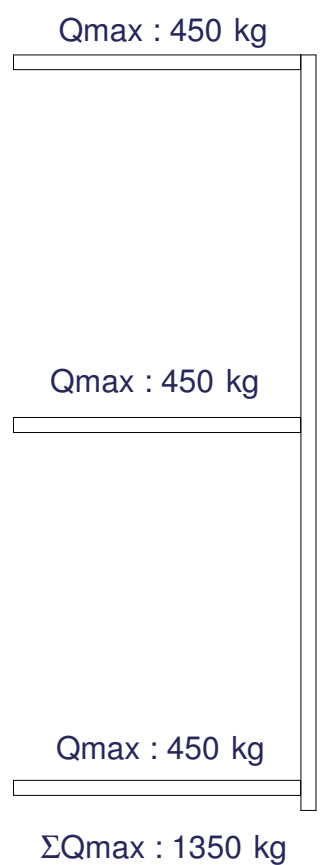


A=1508 mm  
 $\Sigma$ Qmax : 1800 kg  
A=1820 mm  
 $\Sigma$ Qmax : 2250 kg  
A=1974 mm  
 $\Sigma$ Qmax : 2700 kg  
A=2522 mm  
 $\Sigma$ Qmax : 3150 kg

5. MAX. 100 mm



$\Sigma$ Qmax : 1350 kg



$\Sigma$ Qmax : 1350 kg

MAX. 100 mm