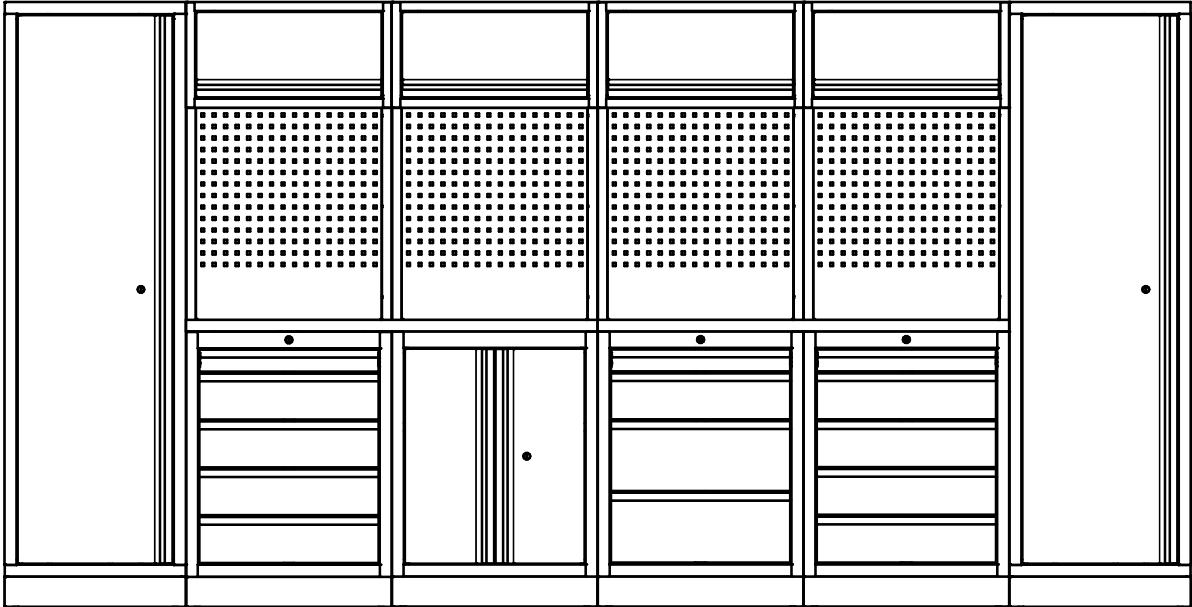
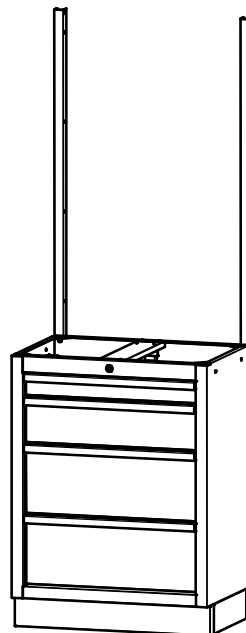
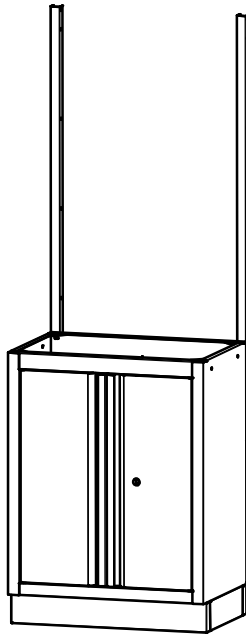
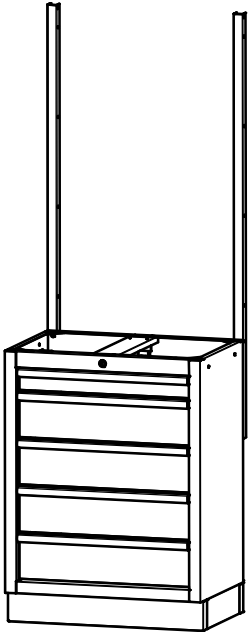
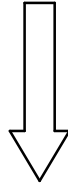
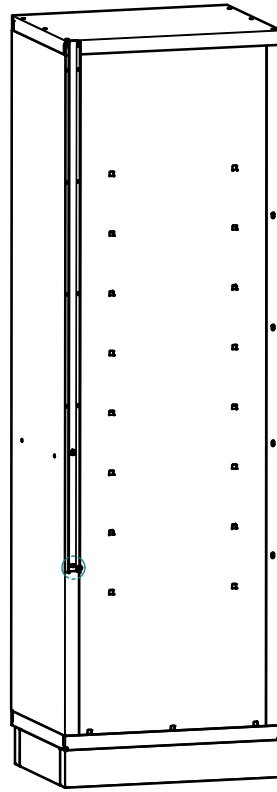
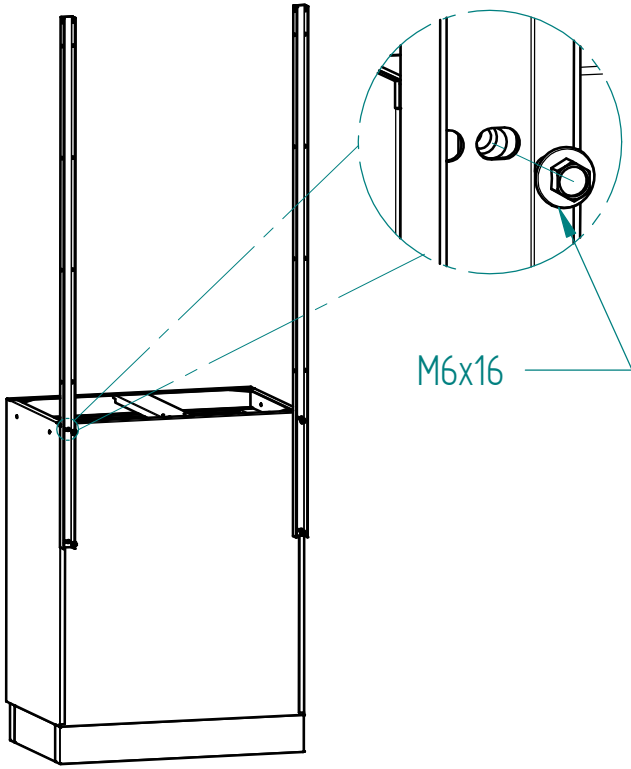


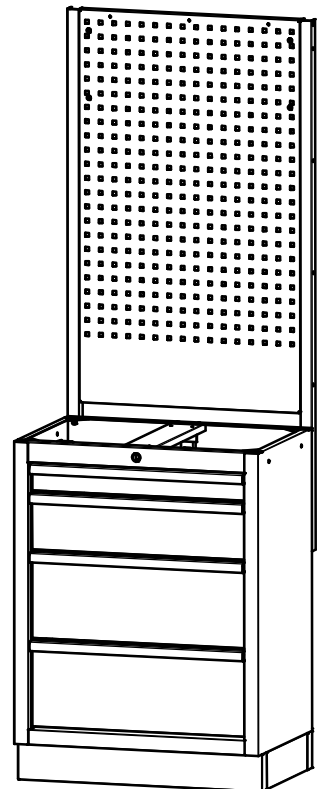
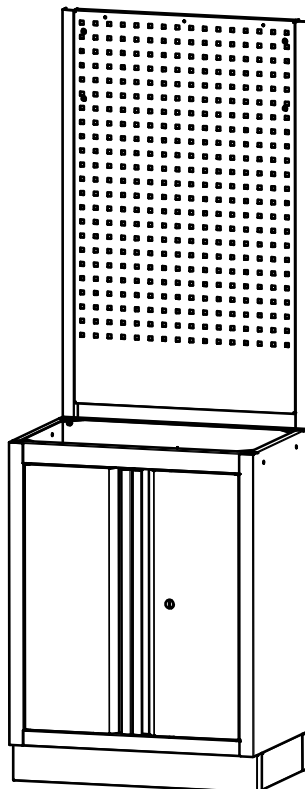
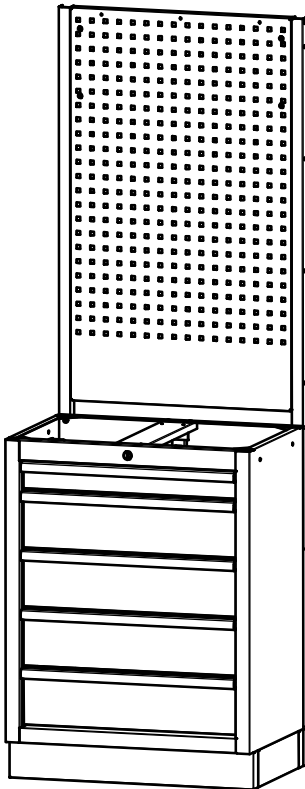
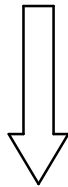
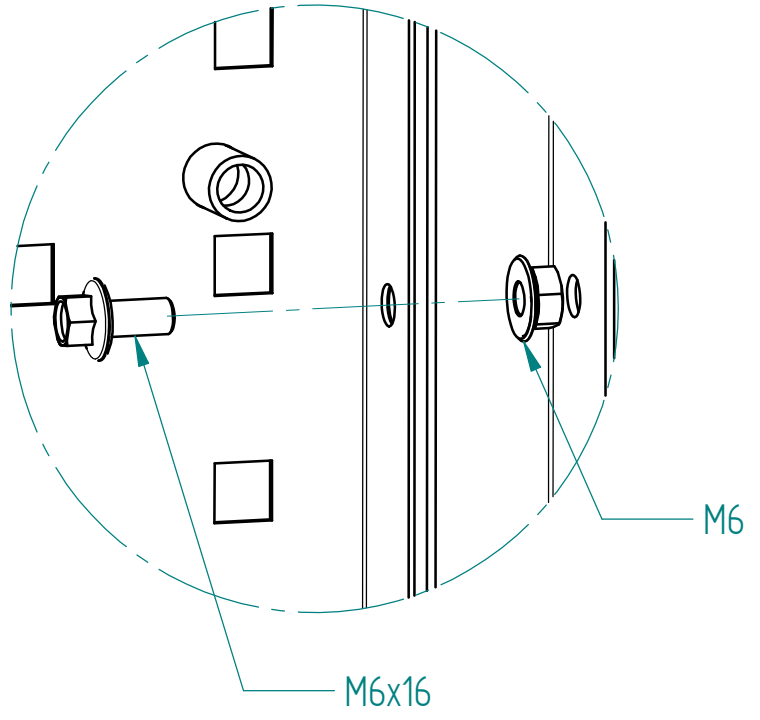
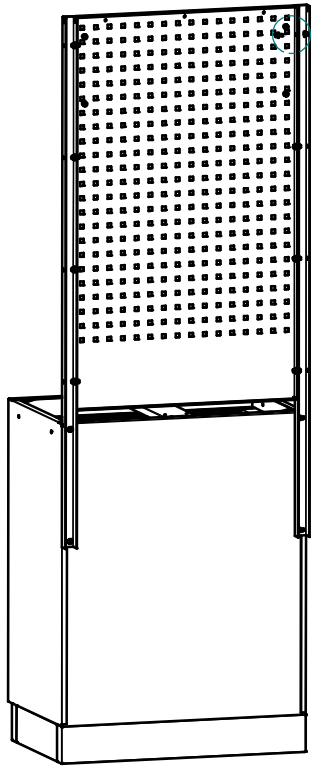
# STORAGE ASSEMBLY INSTRUCTIONS



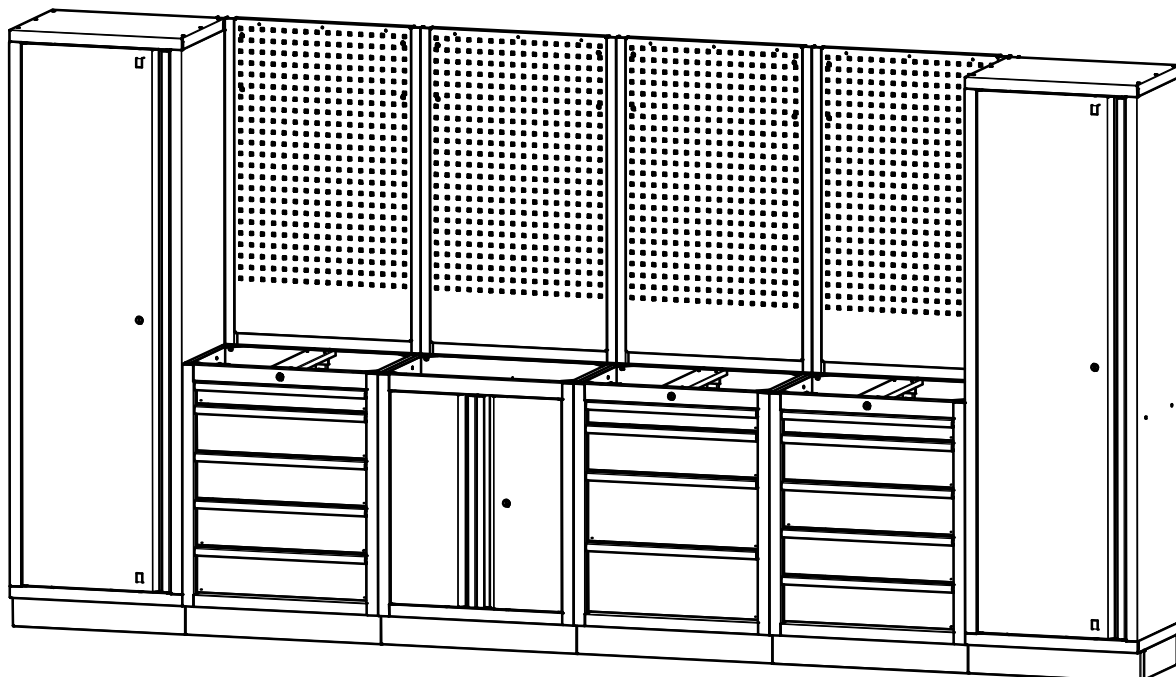
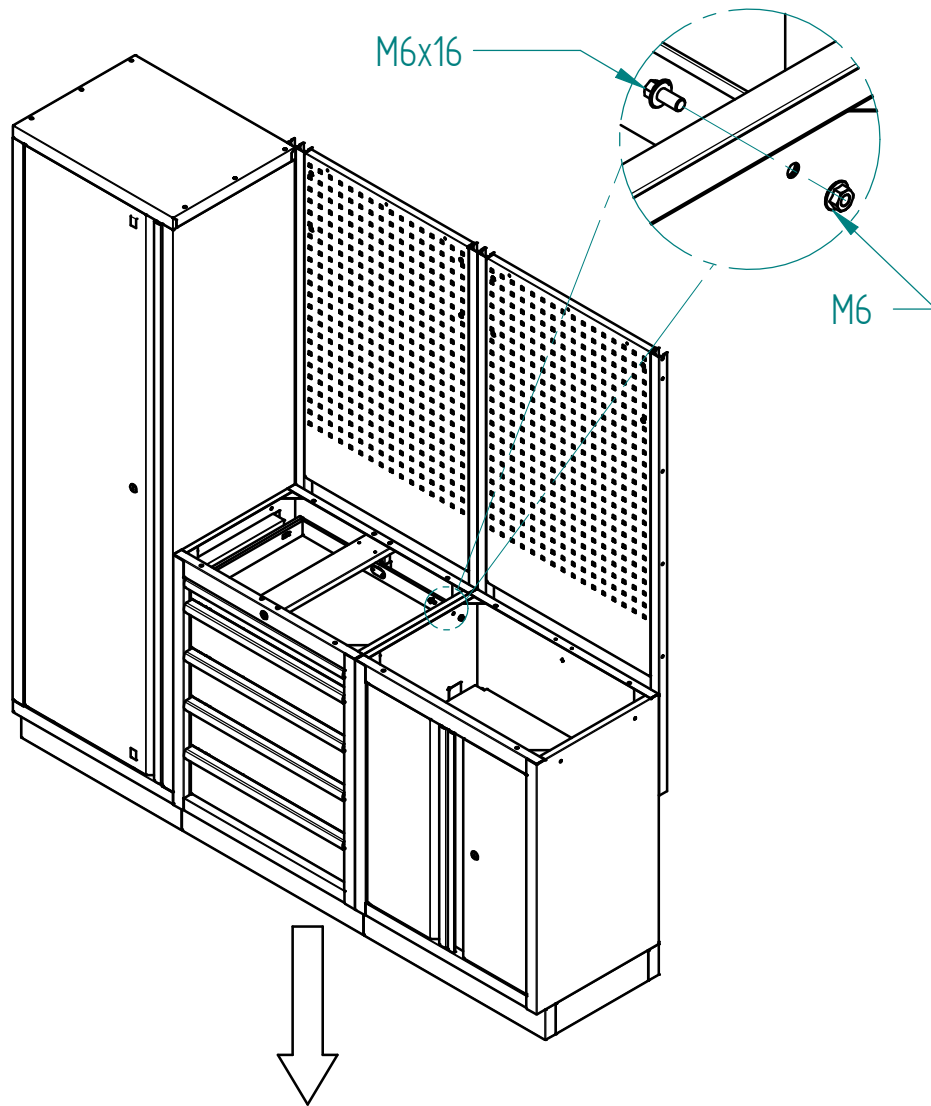
1.



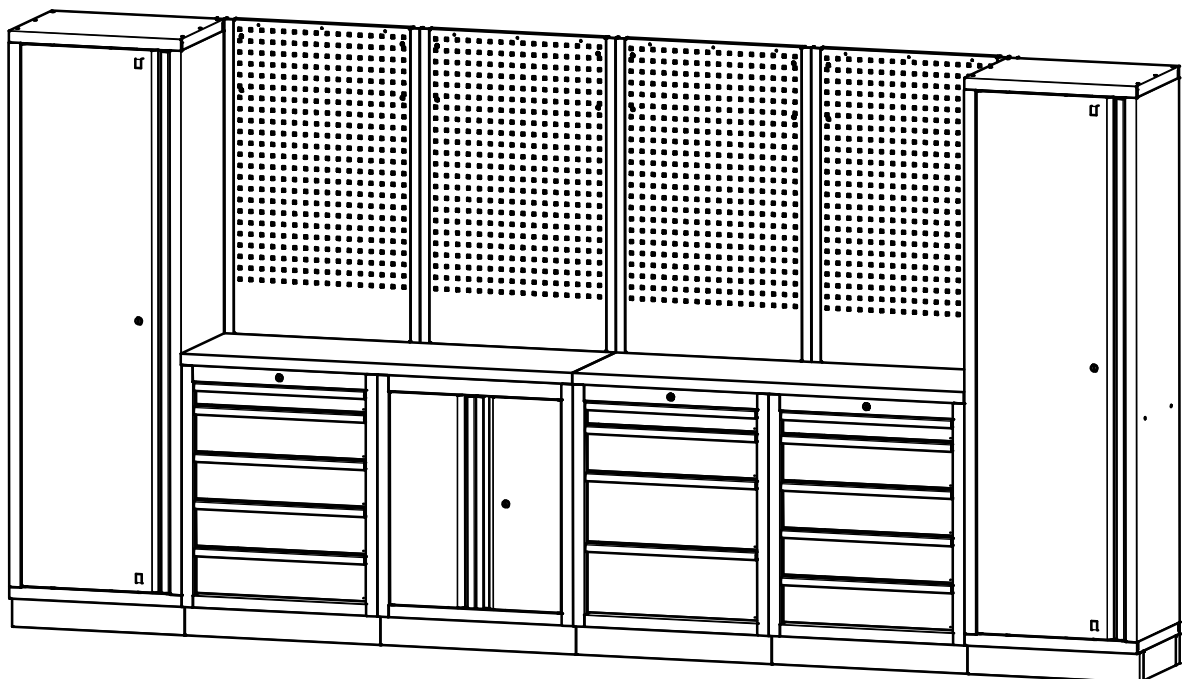
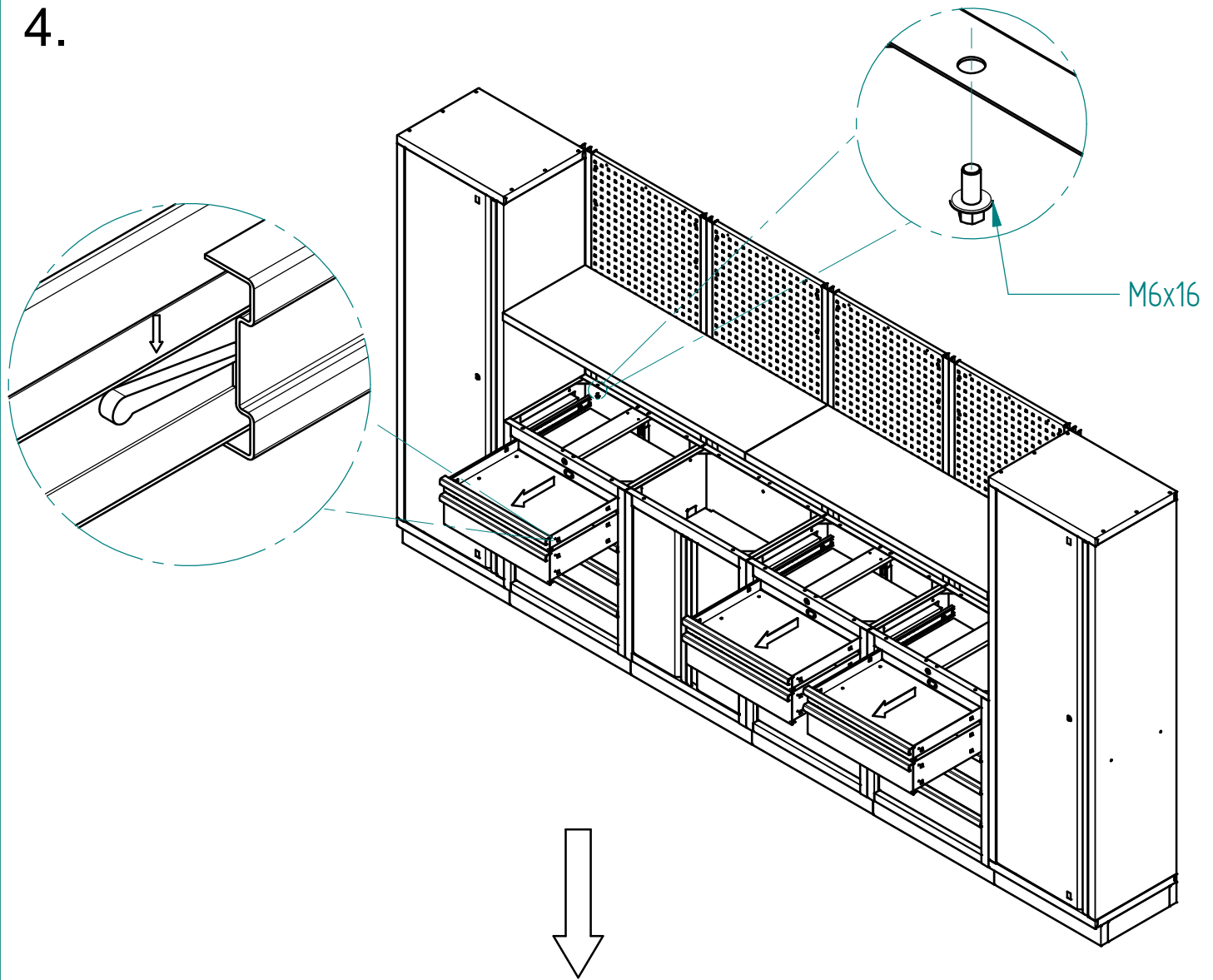
2.



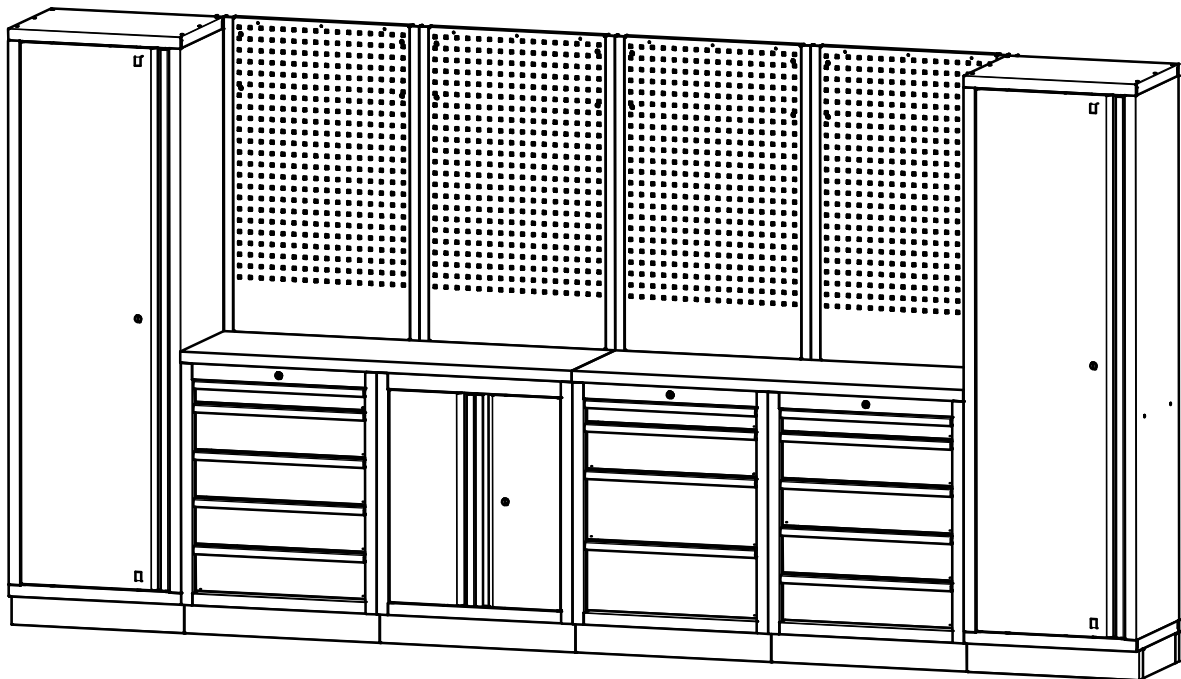
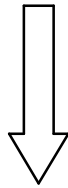
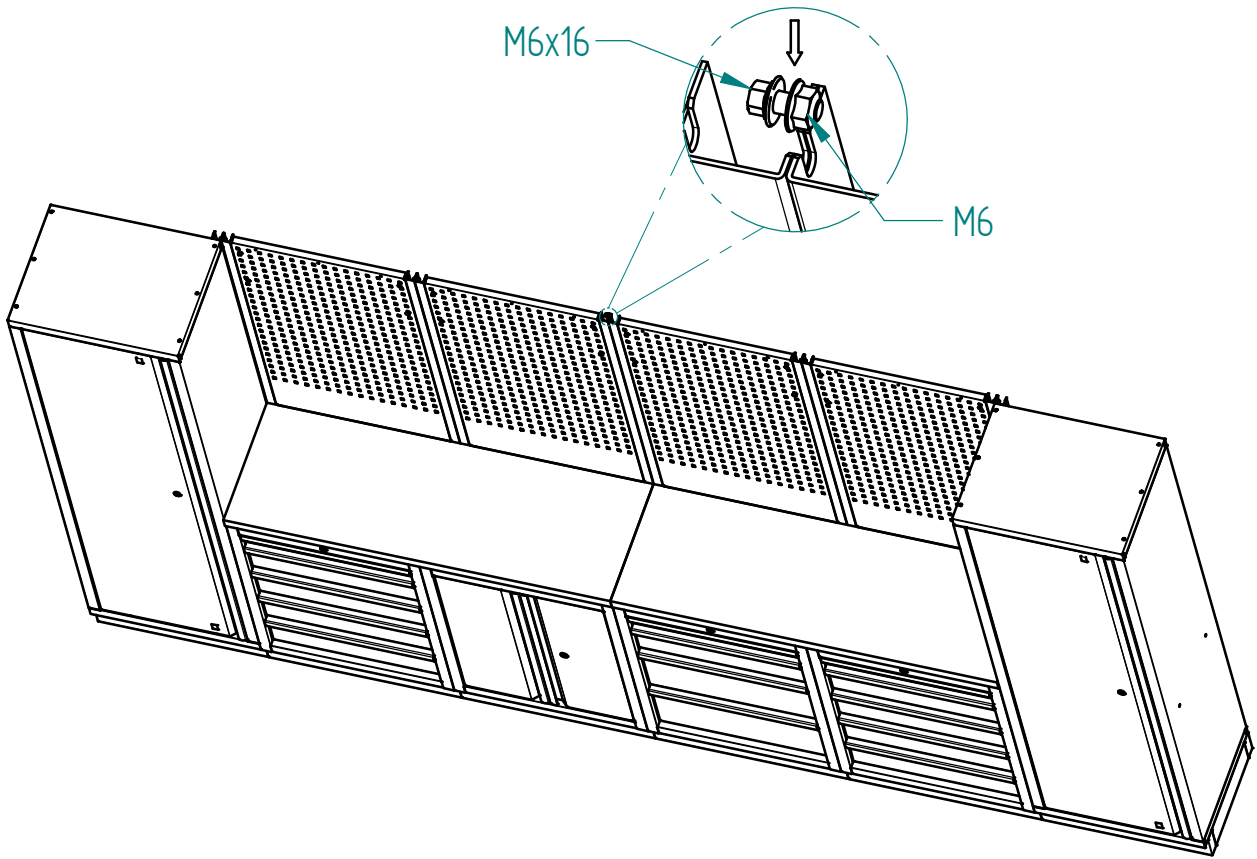
3.



4.



5.



6.

