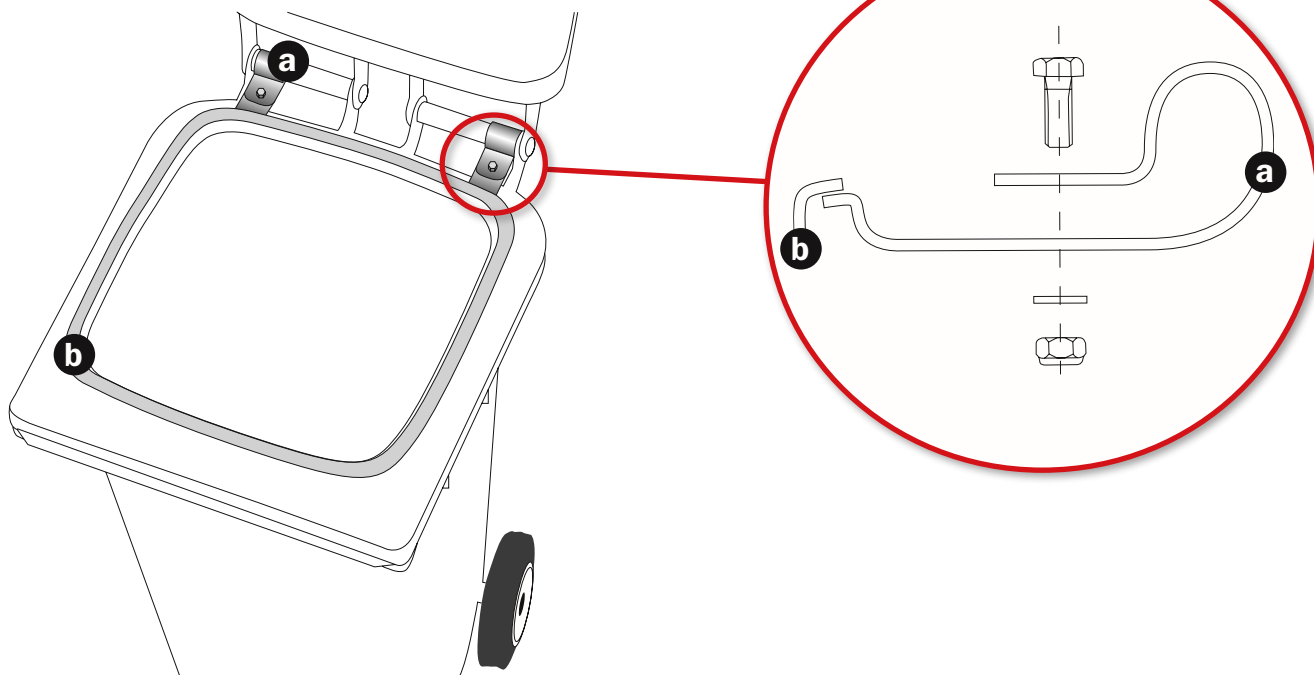


**MONTAGEANLEITUNG**  
**INSTRUCTIONS FOR OPERATING**  
**INSTRUCTIONS DE MONTAGE**  
**MONTAGEHANDLEIDING**

**1**



**2**

