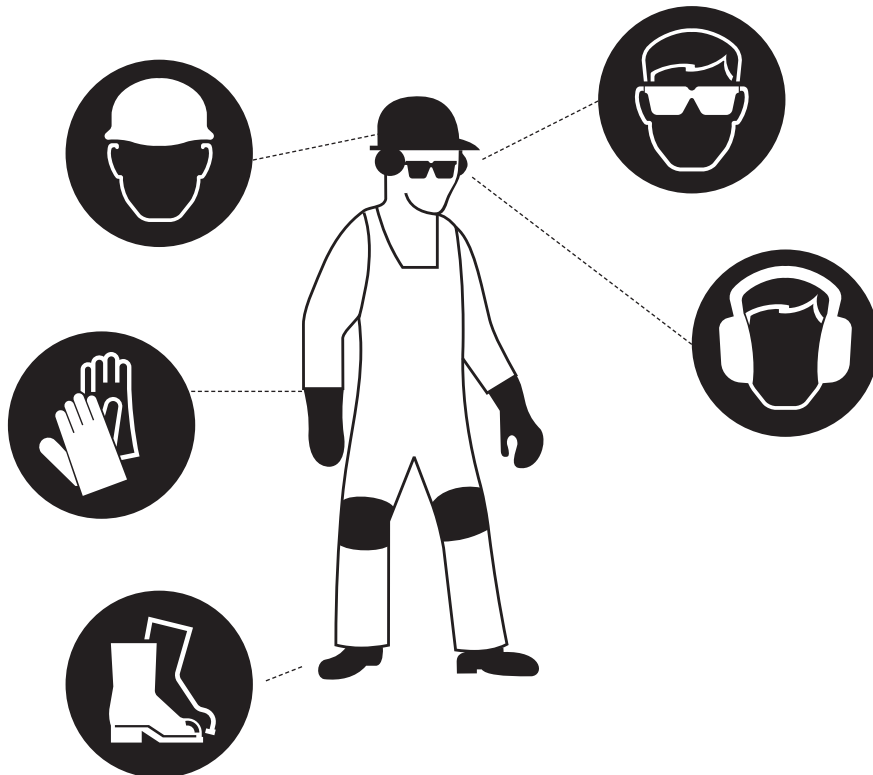
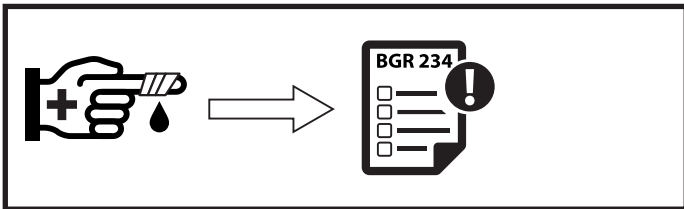
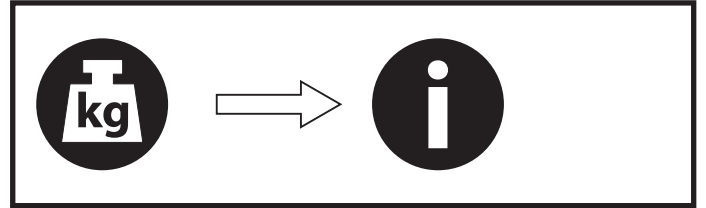
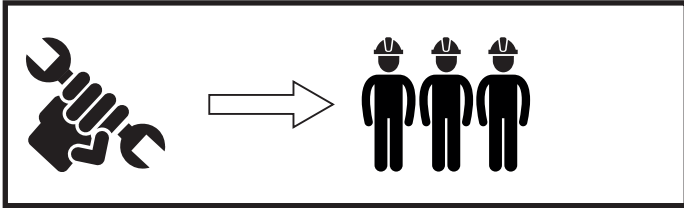
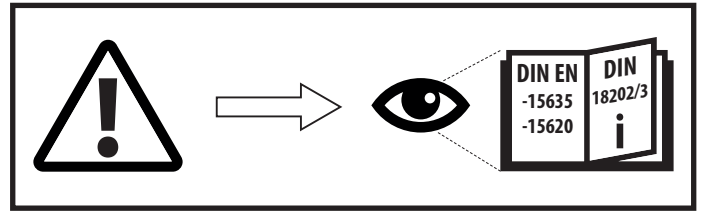
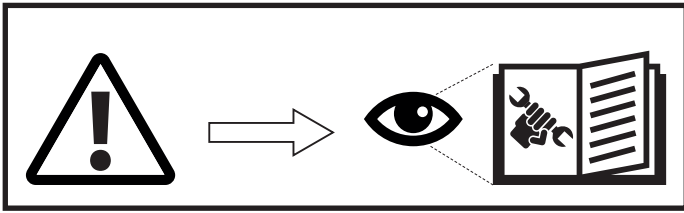


WS 2000 | WS 3000 | Z 1 | W 100

Art.-Nr. 13033-KK

GB Wide span racks - **Assembly and operating instructions**
FR Rayonnages grande portée - **Instructions de montage et de service**
NL Grootvakstellingen - **Opbouw- en Bedieningshandleiding**
ES Estanterías amplias - **Instrucciones de montaje y uso**
IT Scaffali a ripiani lunghi - **Istruzioni per il montaggio e l'uso**
PT Estantes largas - **Manual de montagem e instruções**
PL Regály o dużej rozpiętości - **Instrukcja montażu i eksploatacji**
CZ Regály s velkým rozpětím - **Navod k montáži a obsluze**
HU Nagy fesztávú polcrendszer - **Felepítési és használati utasítás**
RO Rafturi cu deschiderea larga - **Instructiuni de asamblare si utilizare**

DK Bred span reoler - **Opbygnings- og Betjeningsmanuel**
NO Stort spenn hyller - **Montasje- og Betjeningsveileding**
SE Extra breda hyllstáll - **Monterings- och Bruksanvisning**
RU Длинные стеллажи - **Монтаж и Инструкция по эксплуатации**
TR Geniş aralıklı raflar - **Montaj ya kullanma kılavuzu**
SI Široki regali - **Namestitev in Operating Manual**
HR Široki regali - **Instalacija i Operativni Priručnik**
SK Regály s veľkým rozpätím - **Návod na inštaláciu a obsluhu**
JP ワイドスパン棚 - **設置・操作マニュアル**
CN 大跨度貨架 - **安裝和操作手冊**





WS 2000



WS 3000



Z 1



Z 1 - A

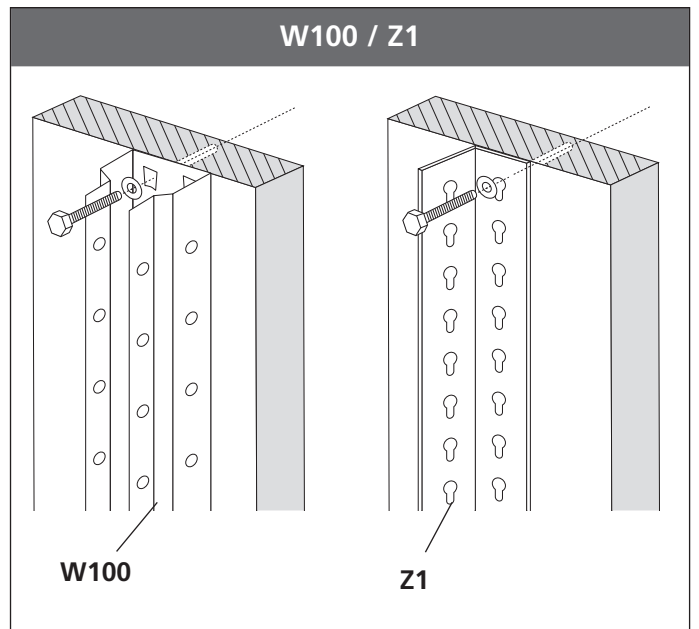
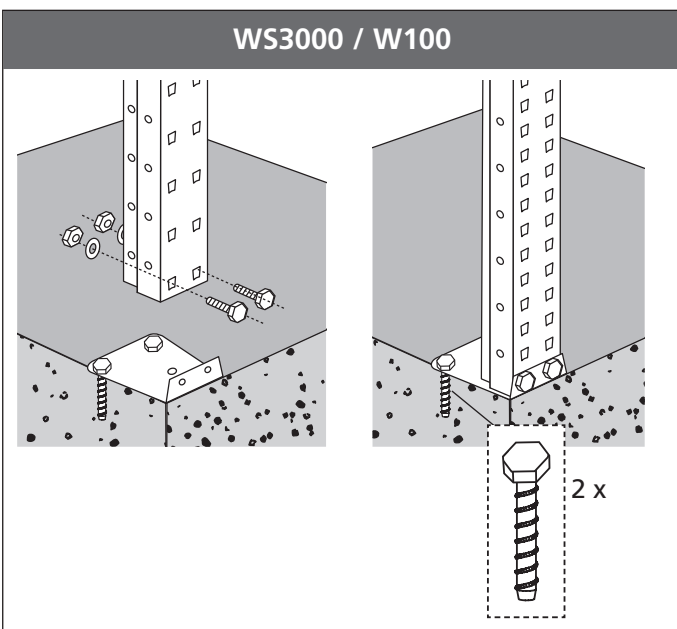
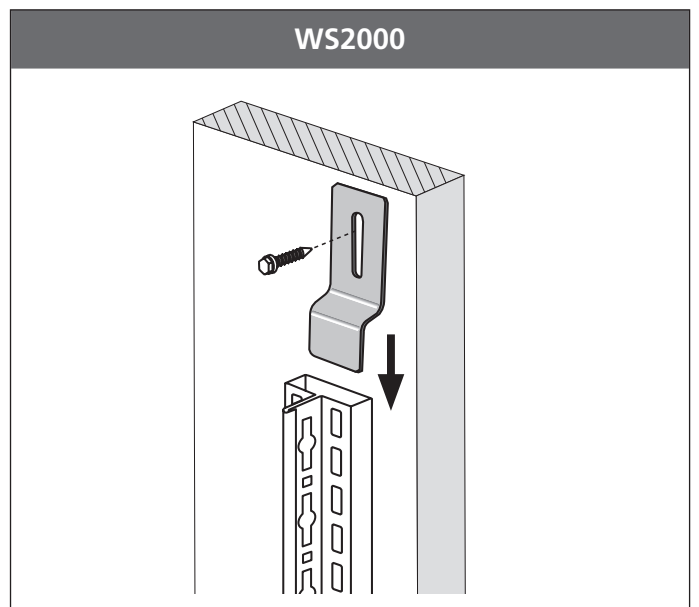
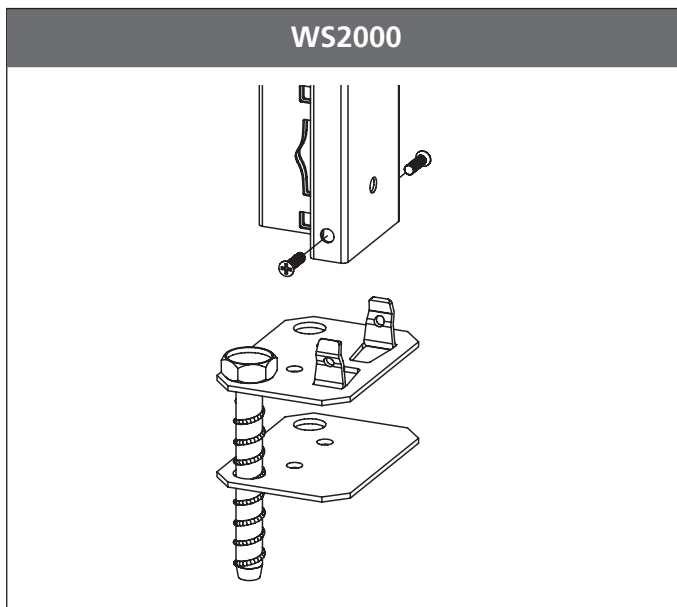
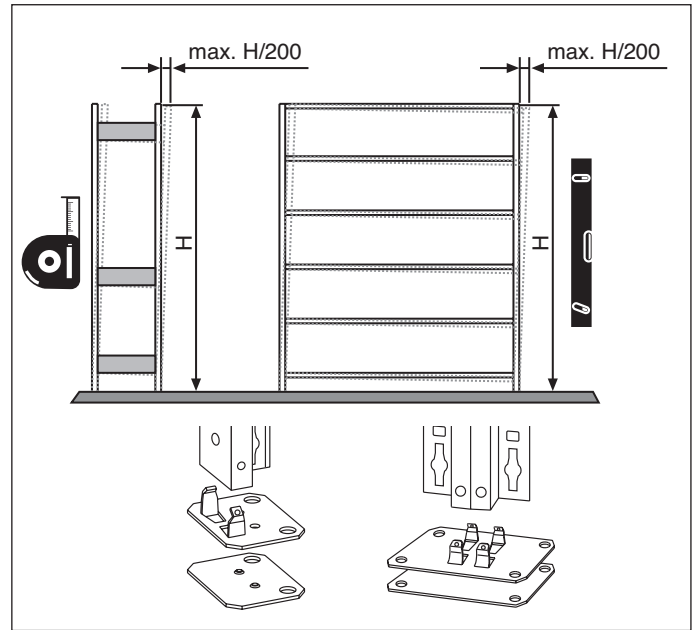
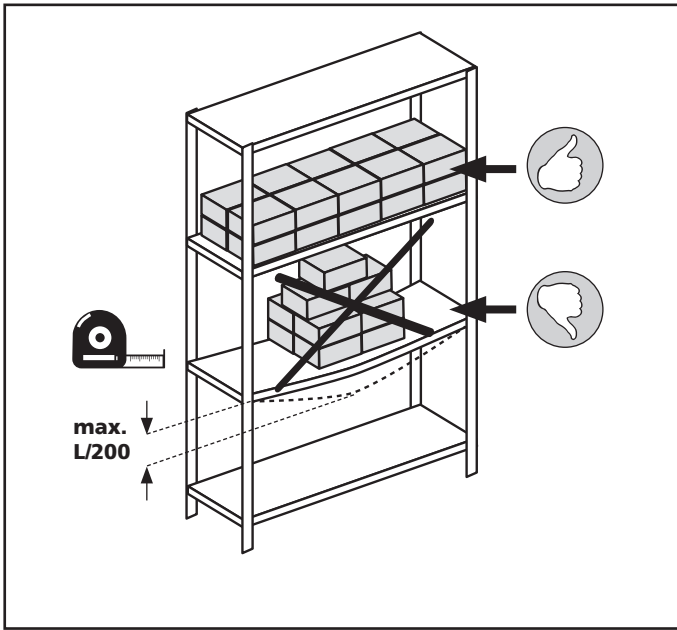


Z 1 - B



W 100



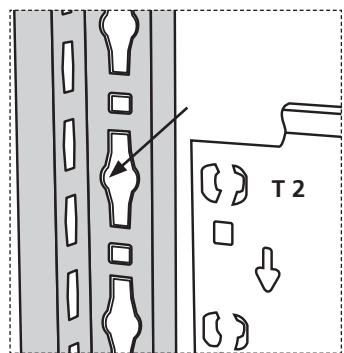
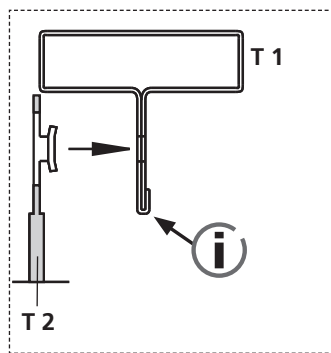
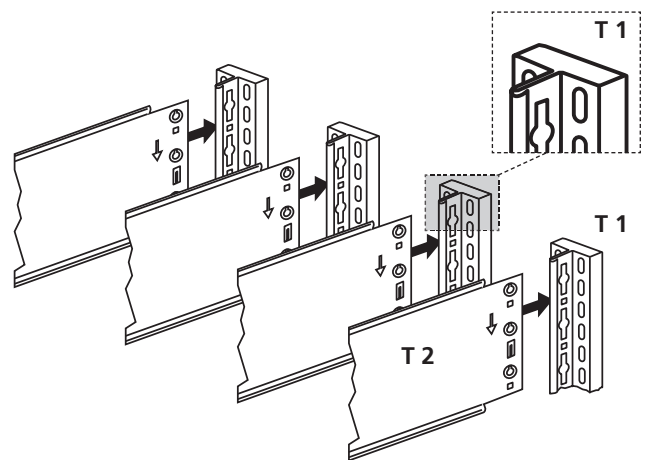
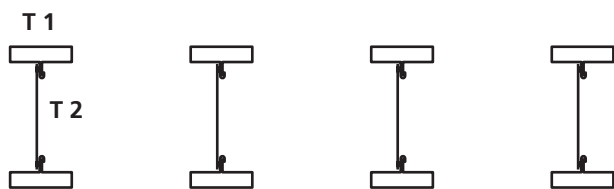


WS 2000

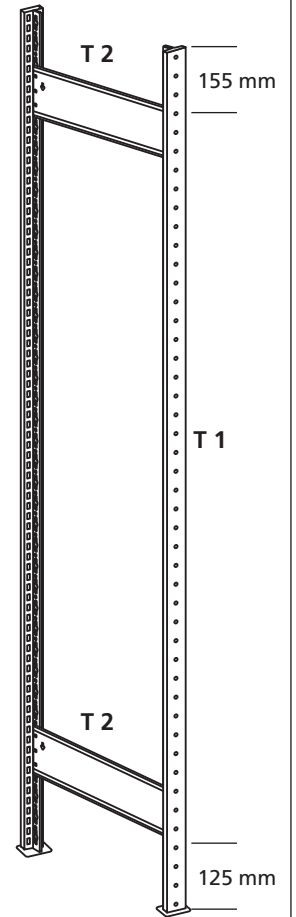
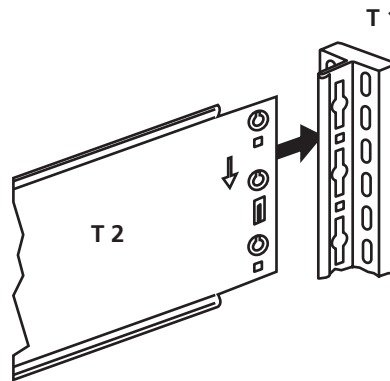
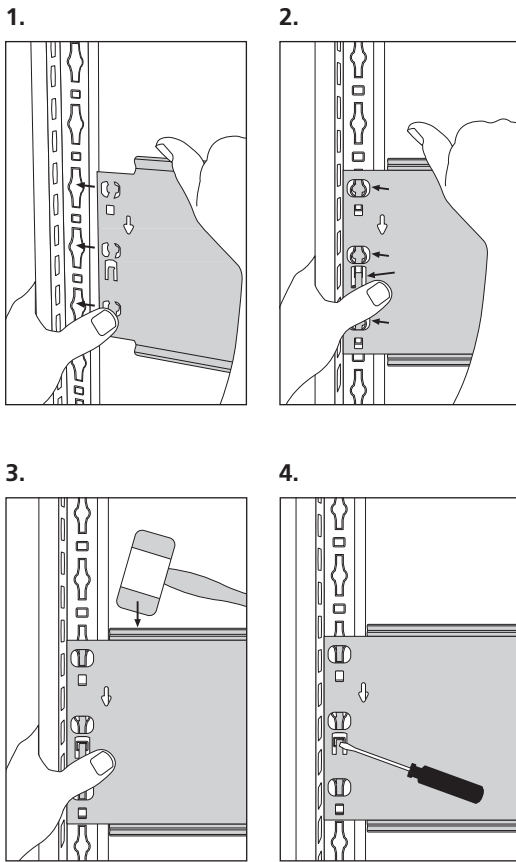
WS 2000



T 1 / T 2



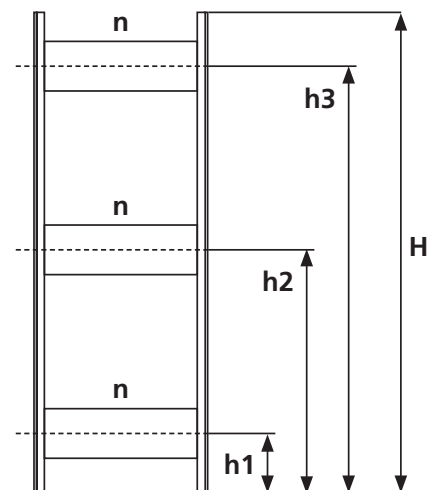
T 2



H & n = Q max. KG

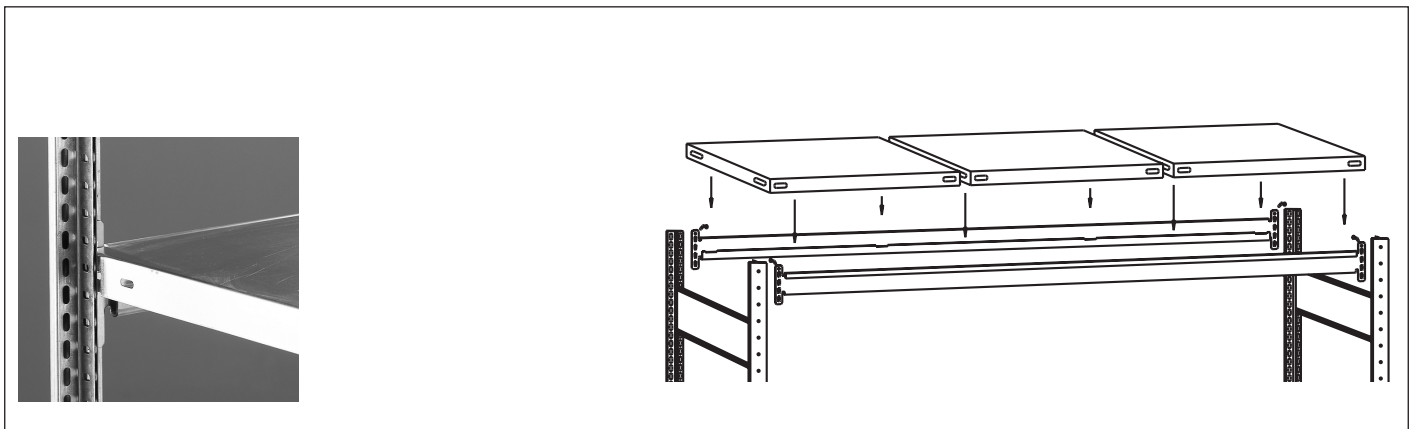
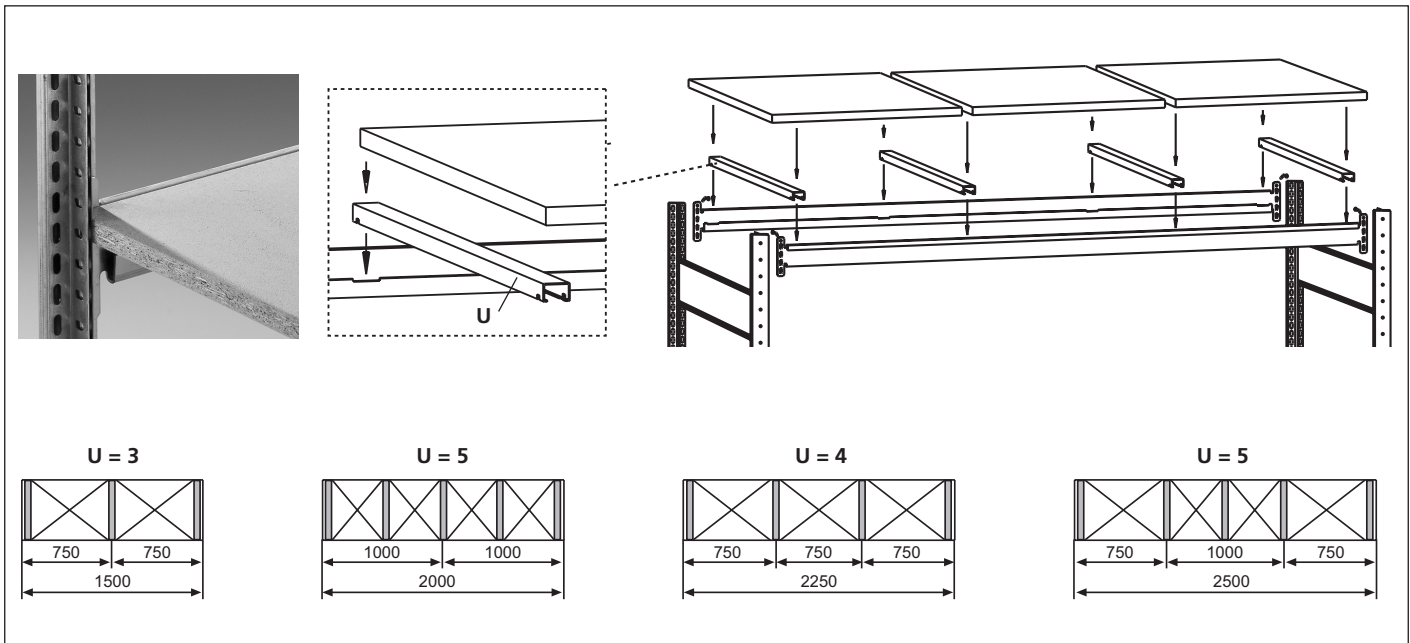
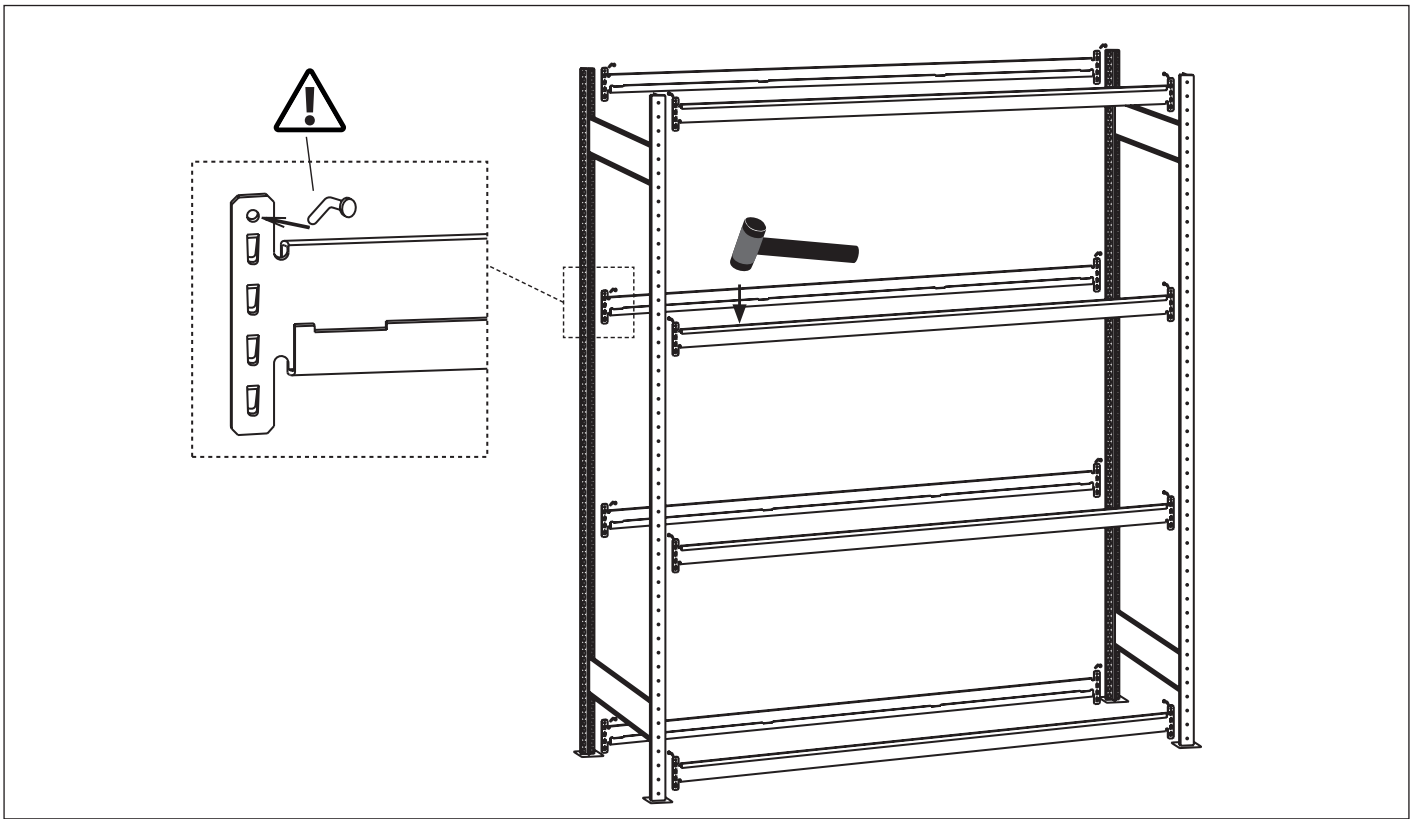
H & n

H mm	n =	mm		
		h1	h2	h3
2.000 - 2.299	2	206	1.756	---
2.300 - 2.499	2	206	2.056	---
2.500 - 3.000	3	206	1.006	2.256



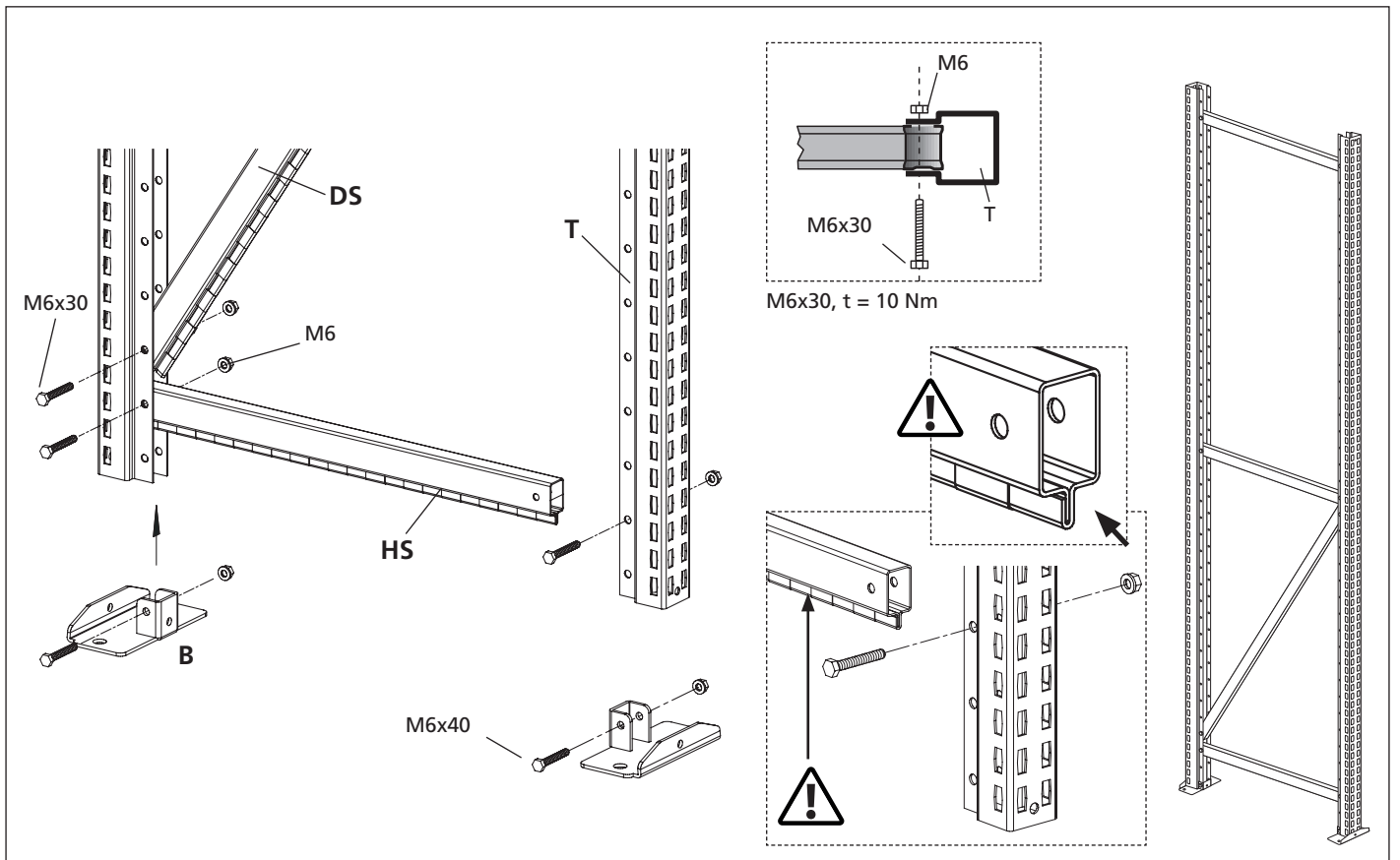
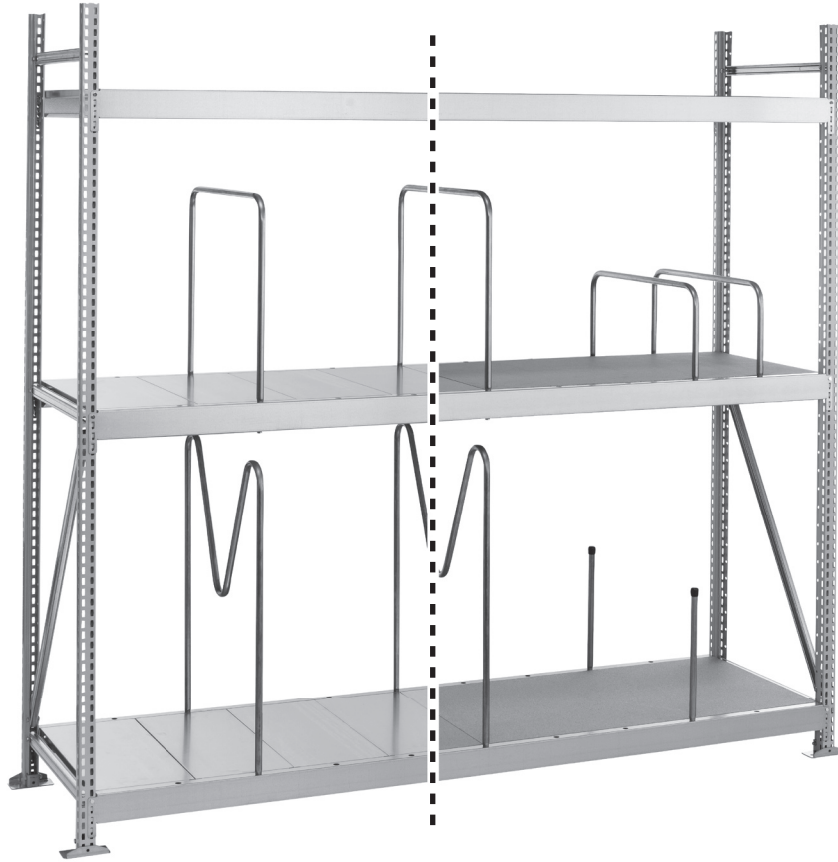
kg Q max. kg

	H = 2.000 mm / n =	2.500 mm / n =	3.000 mm / n =
Q max.	n = 3: 1.250 kg	n = 4: 1.800 kg	n = 5: 2.100 kg
Q max.	n = 2: 800 kg		

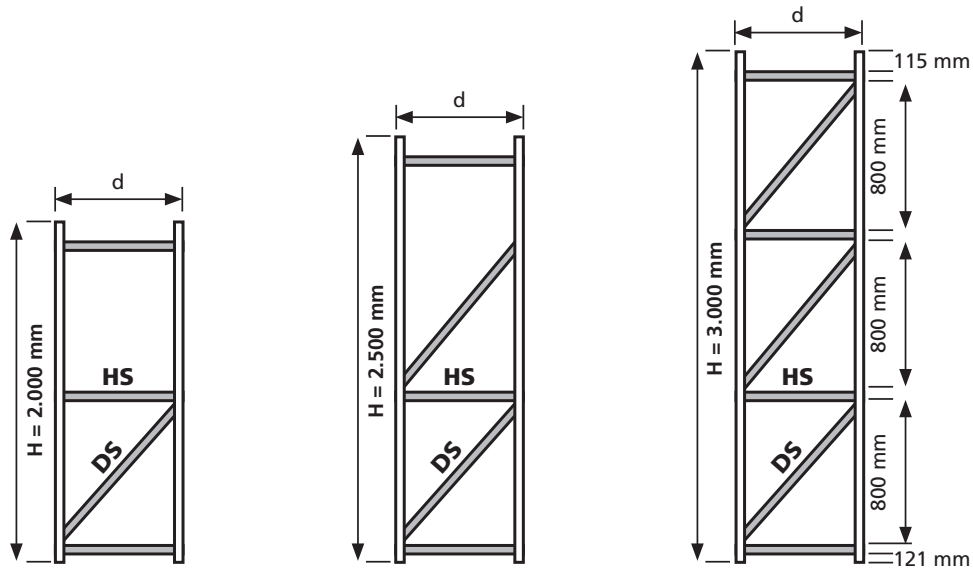


WS 3000

WS 3000



HS & DS

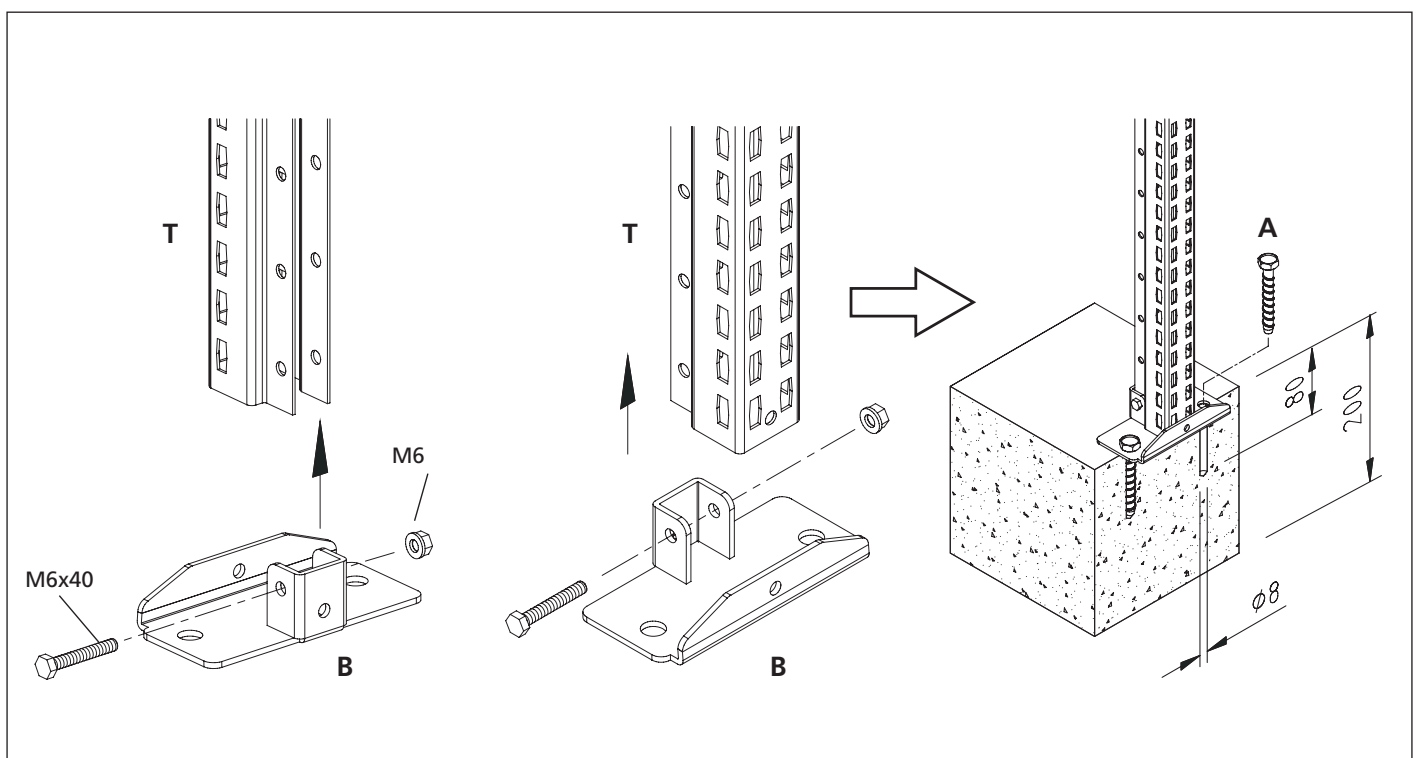


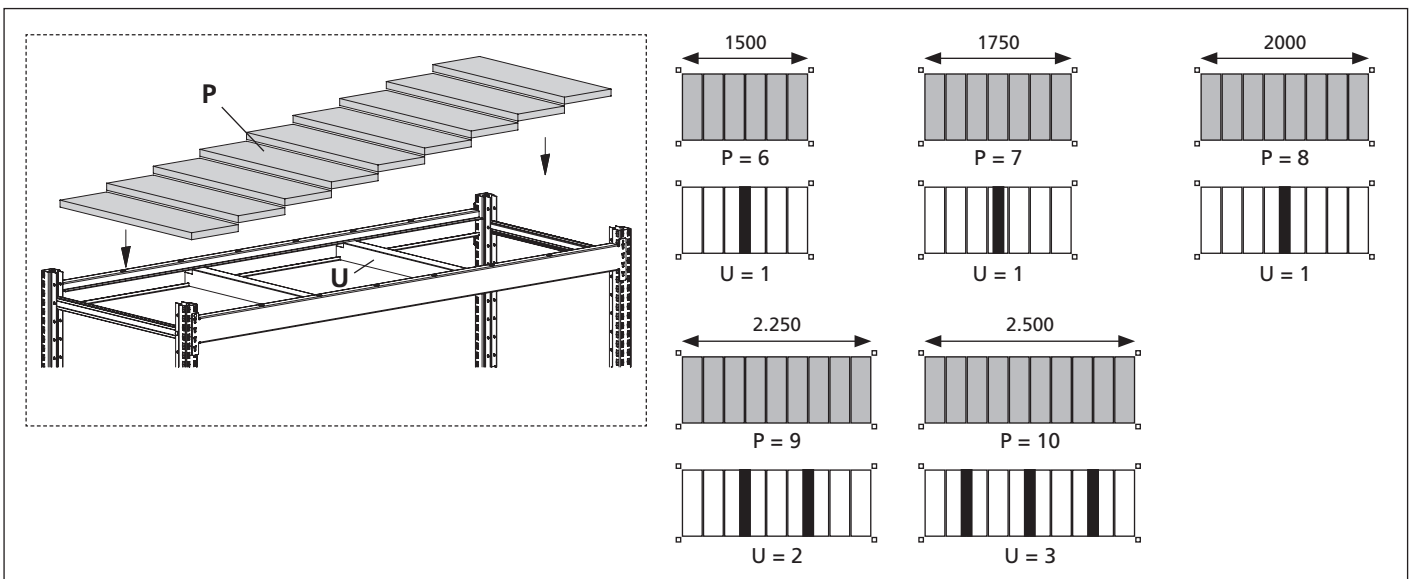
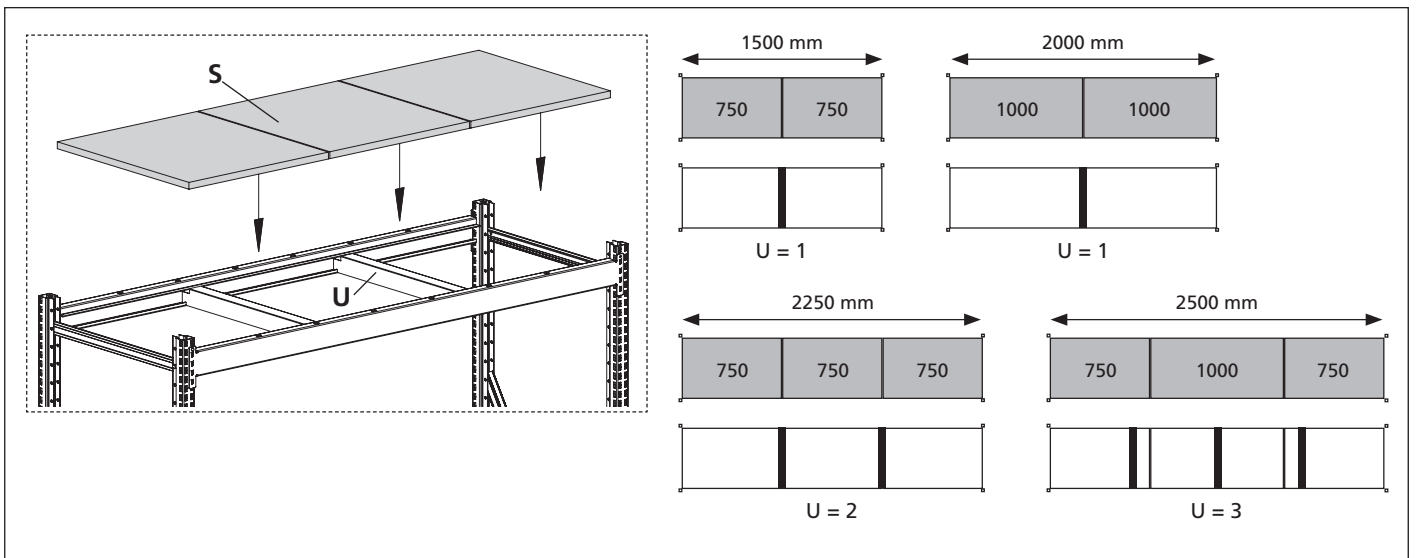
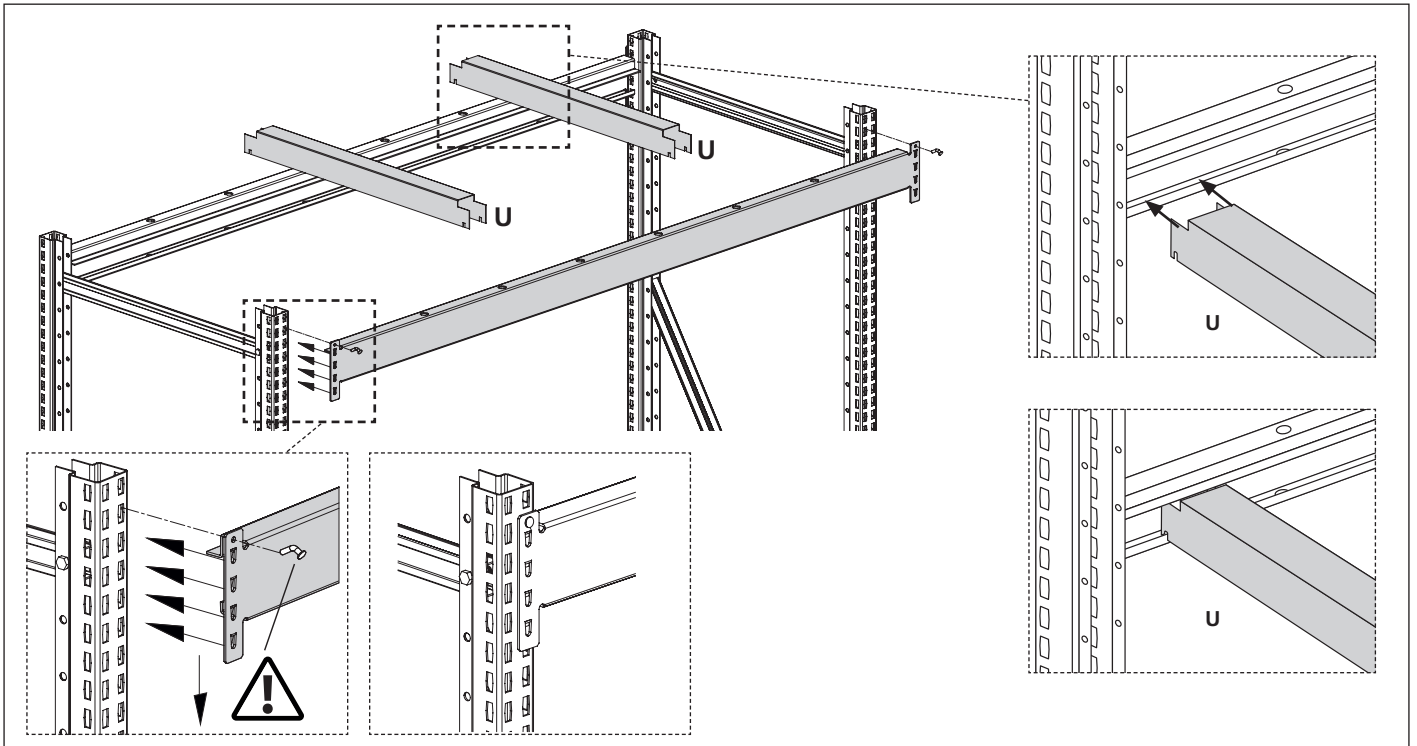
HS & DS

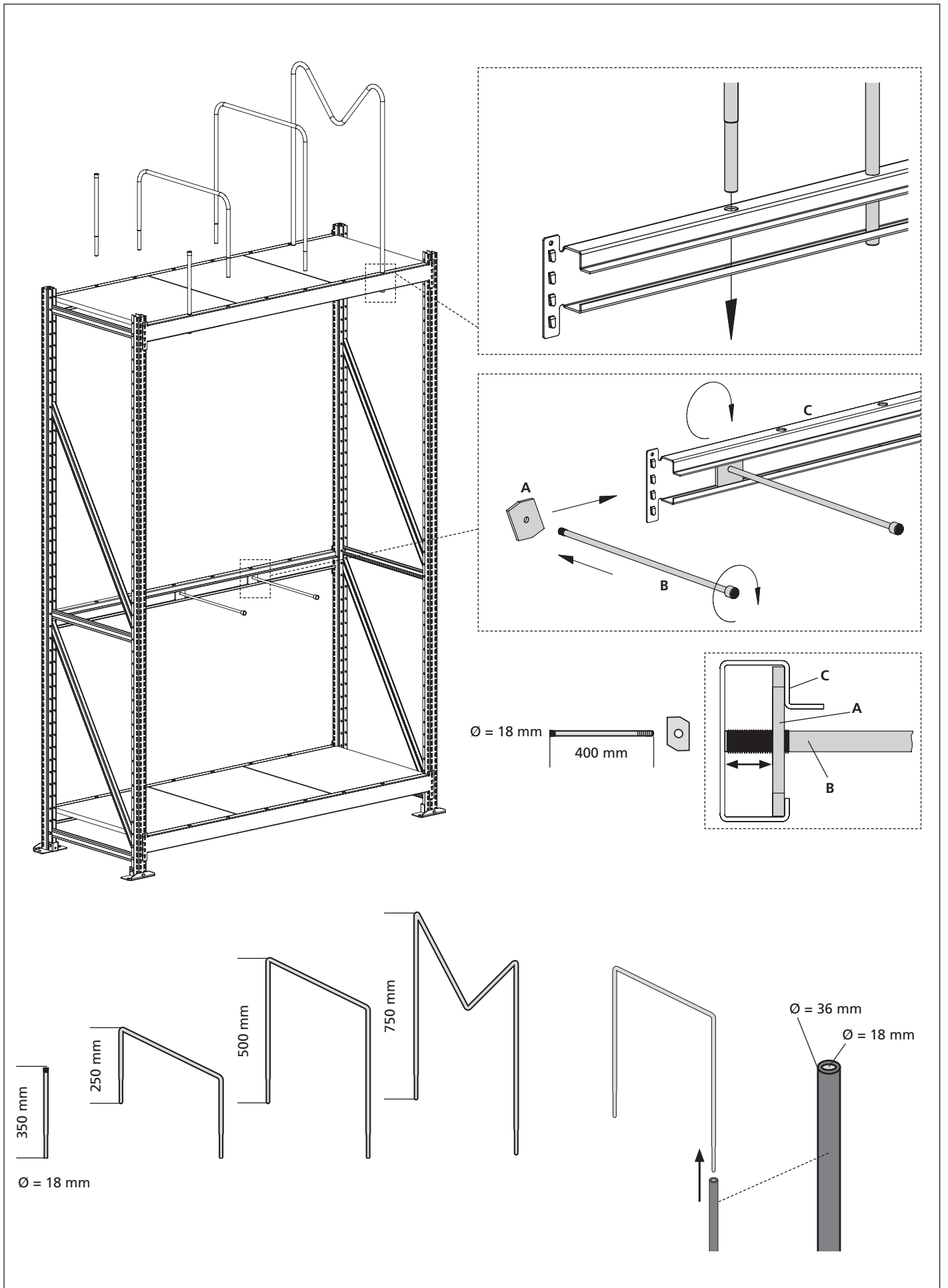
H =	2.000 mm	2.500 mm	3.000 mm
HS:	3 x	3 x	4 x
DS:	1 x	2 x	3 x

HS & DS (mm)

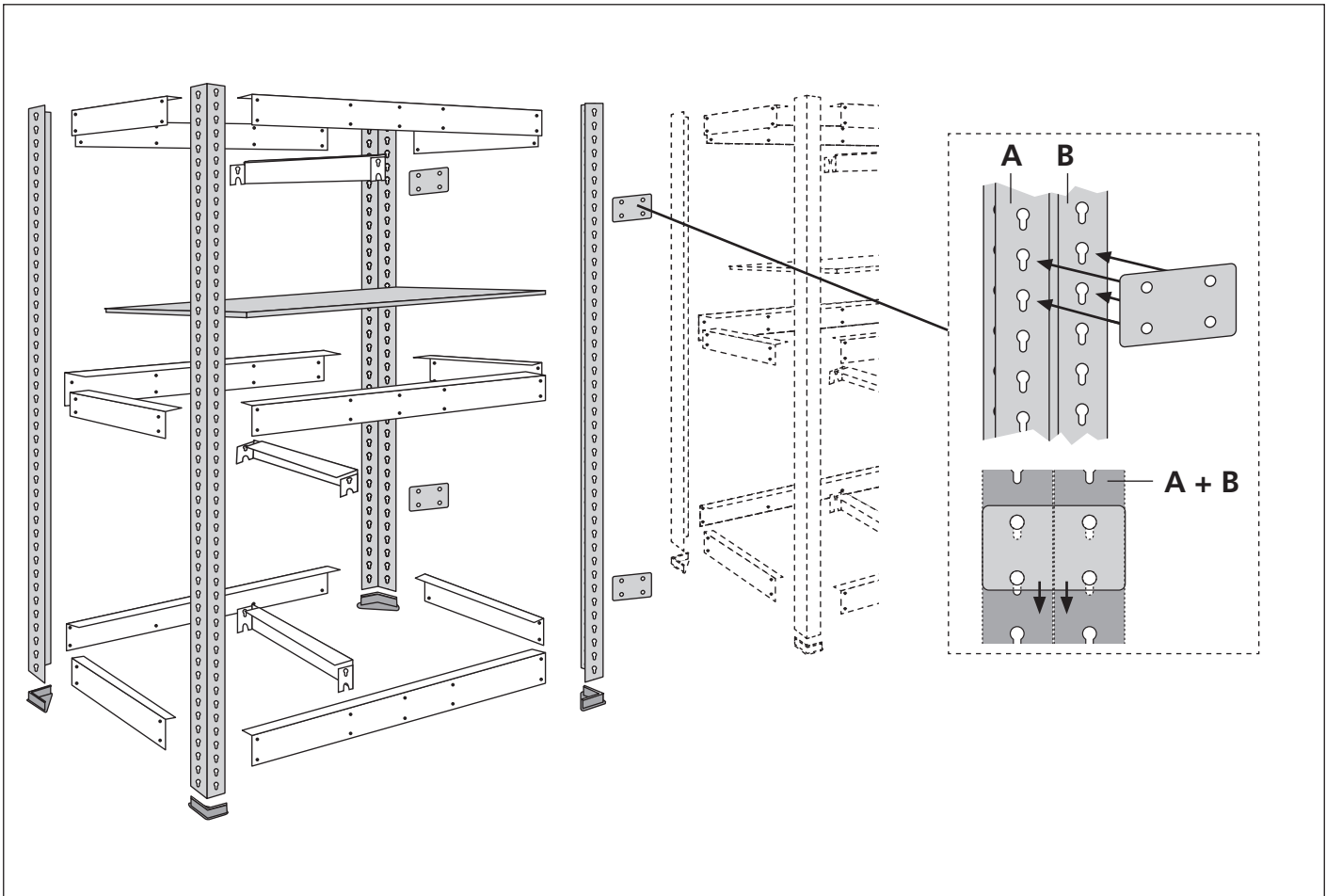
d =	500 mm	600 mm	800 mm	1.000 mm
HS (mm)	453 mm	553 mm	753 mm	953 mm
DS (mm)	940 mm	990 mm	1.112 mm	1.254 mm

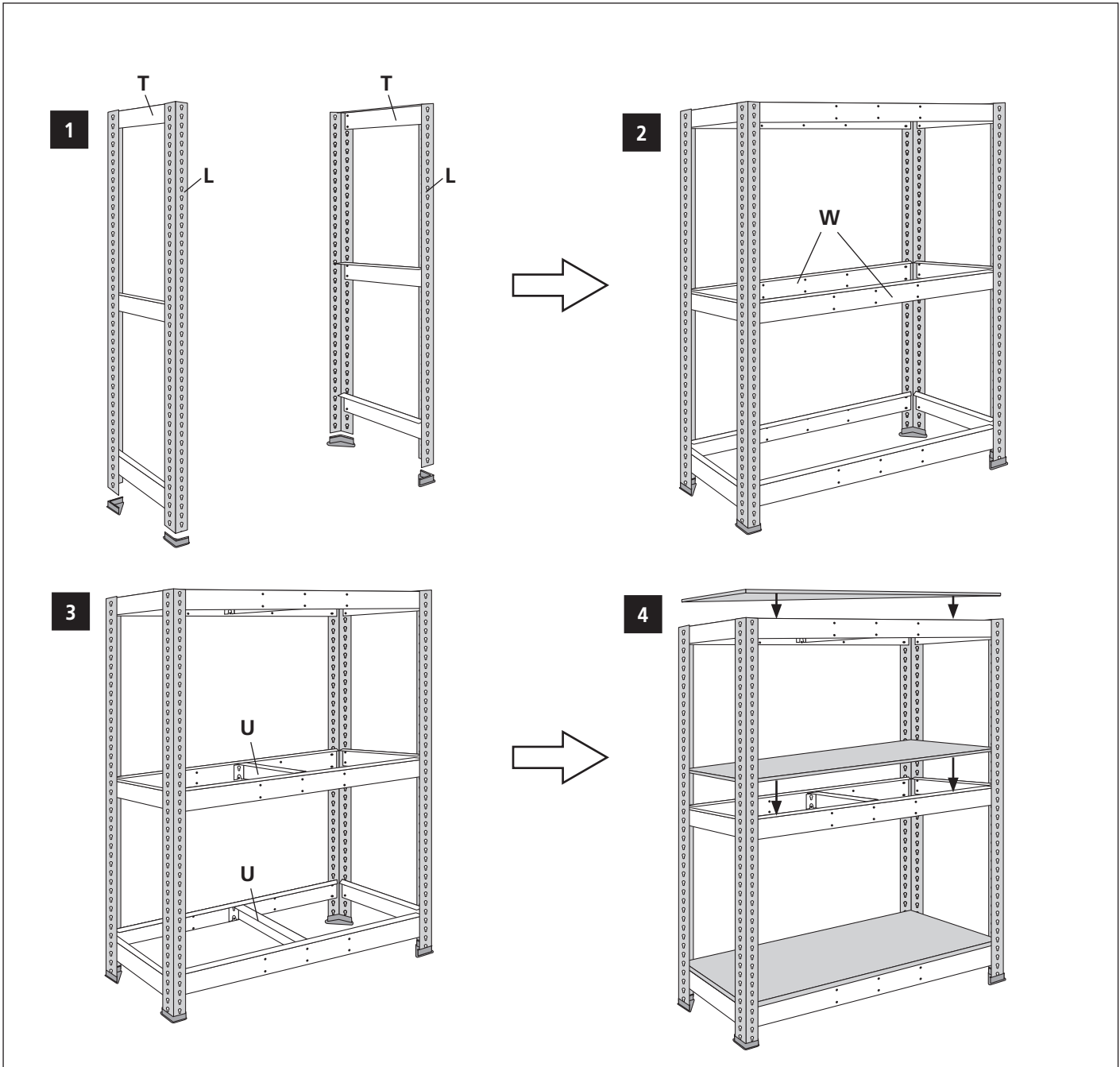
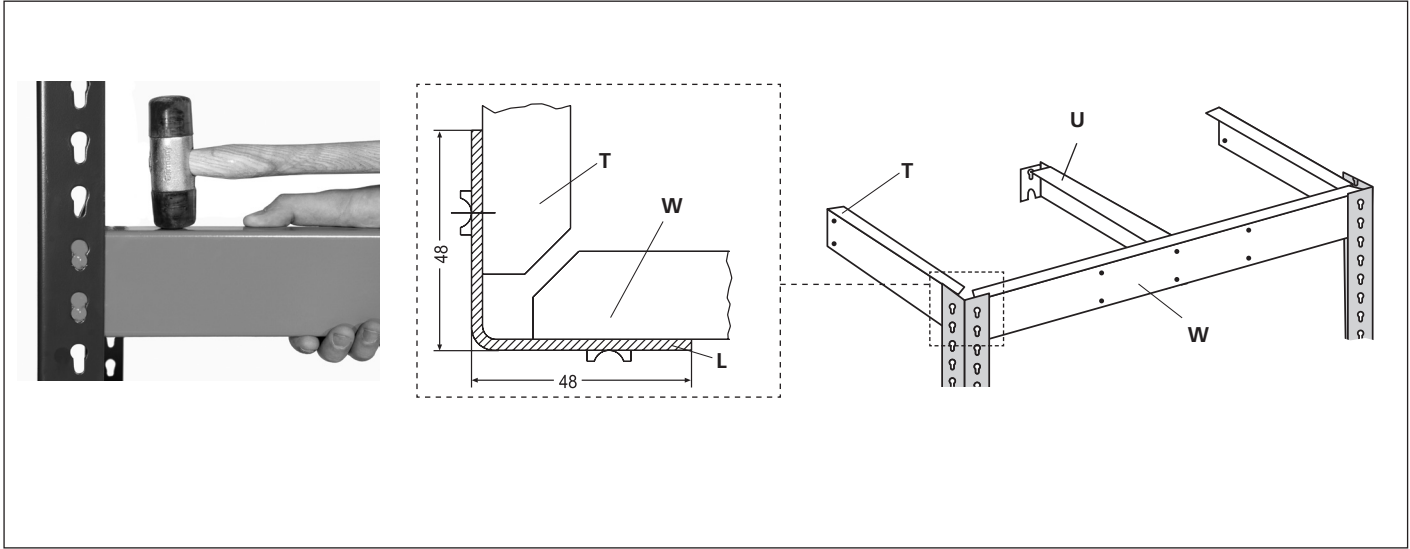


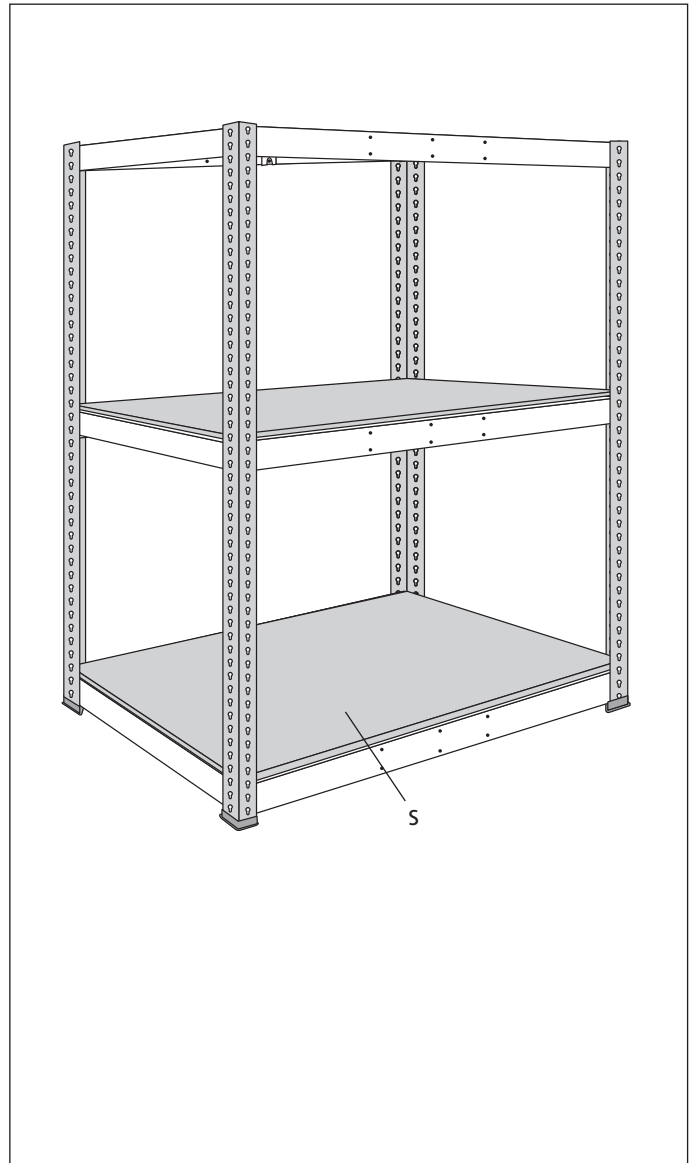
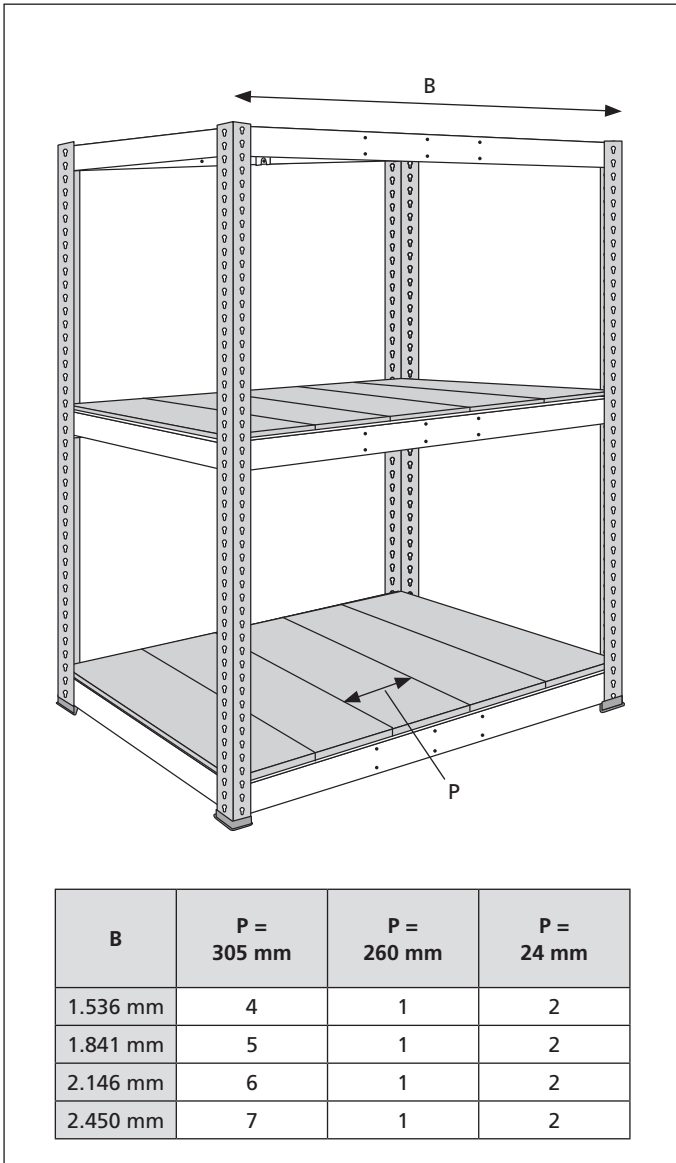




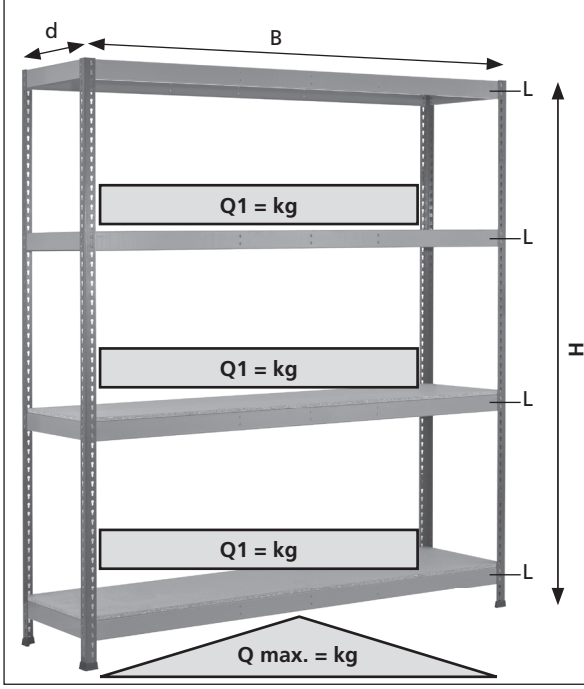
Z 1







Q1 & Q max. (kg)



kg Q1 = kg

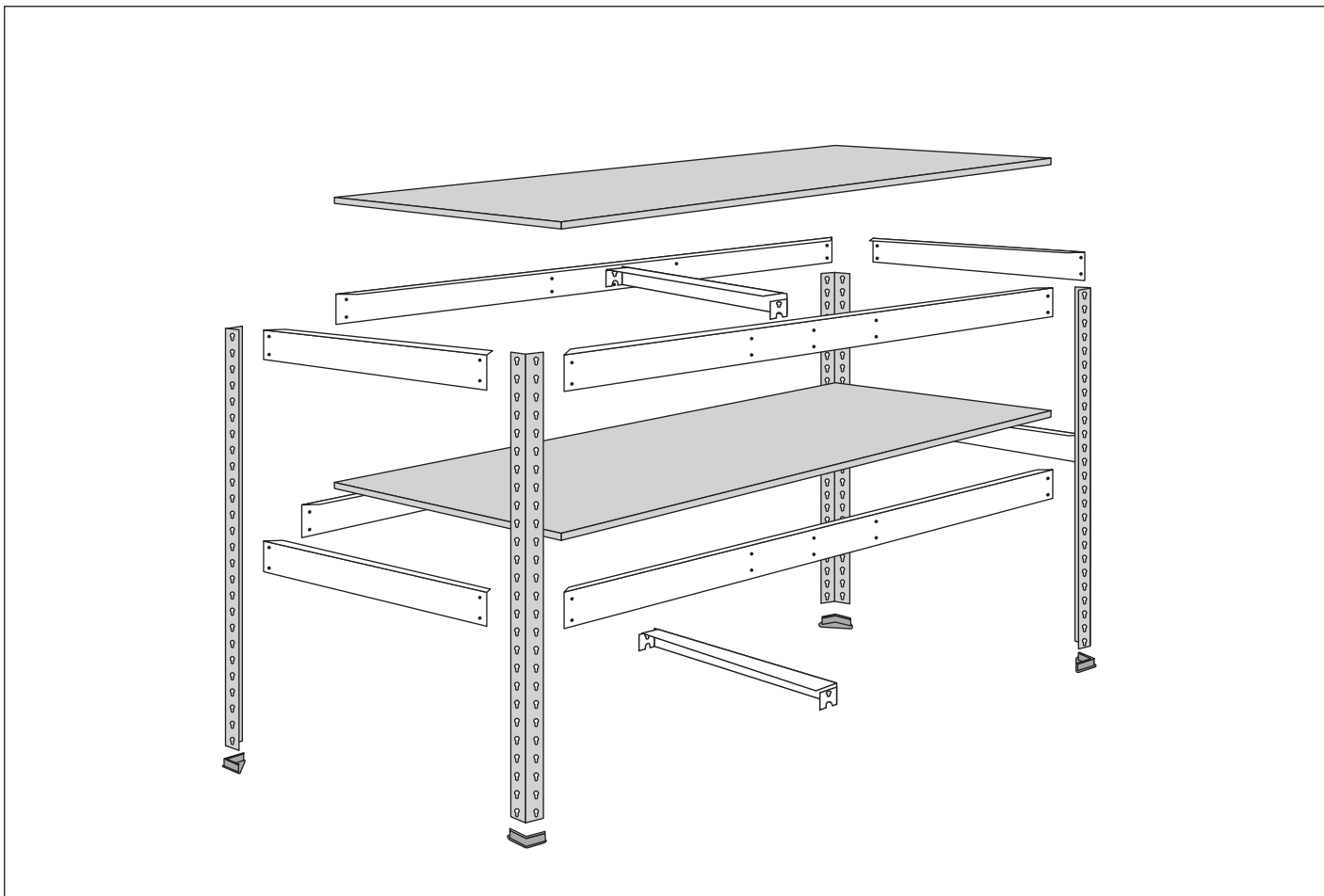
B (mm)	1.536 mm	1.841 mm	2.146 mm	2.450 mm
d = 469 / 621 mm	640 kg	610 kg	577 kg	545 kg
d = 773 / 926 / 1.230 mm	640 kg	720 kg	620 kg	500 kg

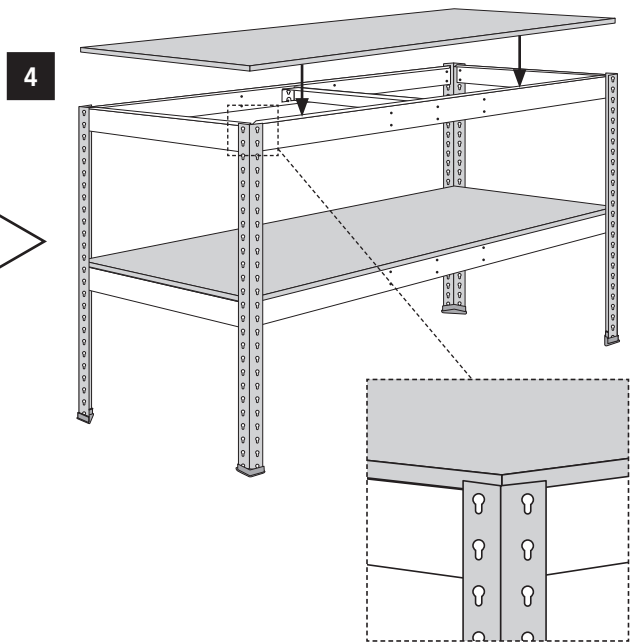
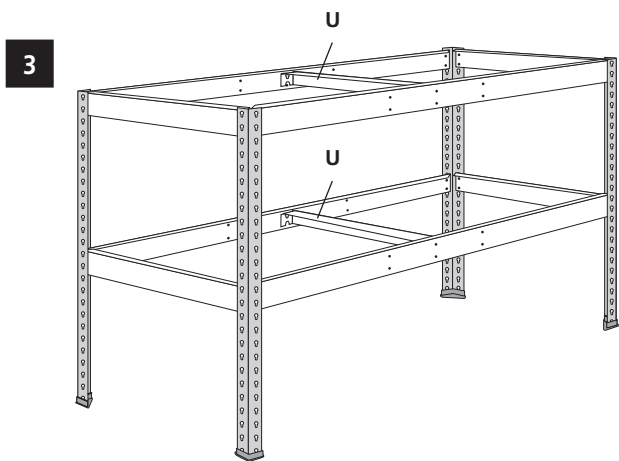
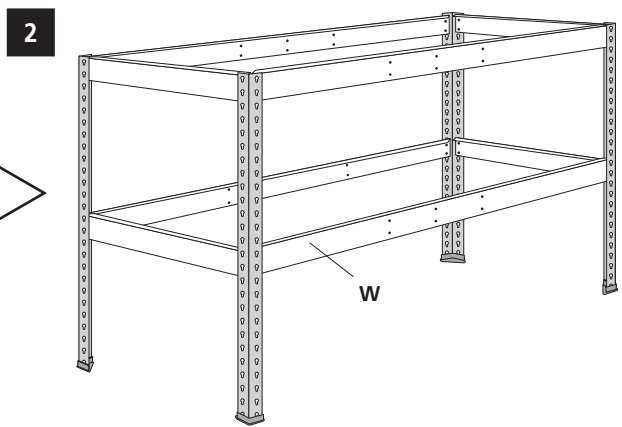
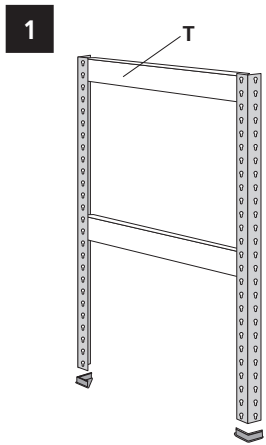
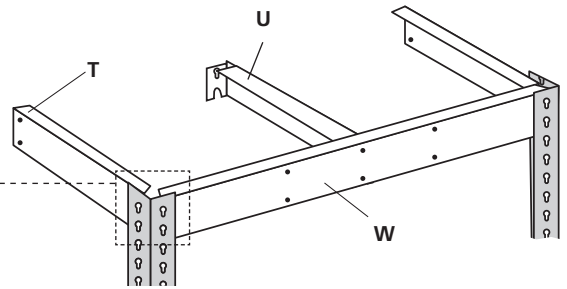
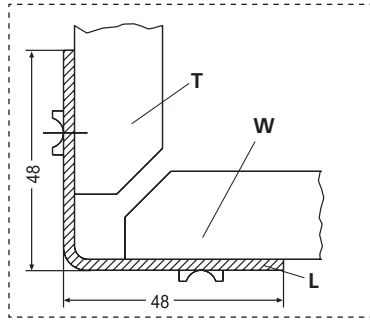
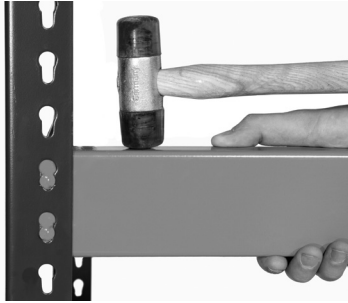
kg Q max. = kg

H (mm)	1.981 mm	2.438 mm	3.048 mm
Q max.: 3 x L	2.445 kg	2.175 kg	---
Q max.: 4 x L	3.200 kg	2.800 kg	2.500 kg
Q max.: 5 x L	3.500 kg	3.250 kg	3.000 kg
Q max.: 6 x L	3.900 kg	3.600 kg	3.300 kg
Q max.: 7 x L	---	3.850 kg	3.675 kg

Z 1 - A

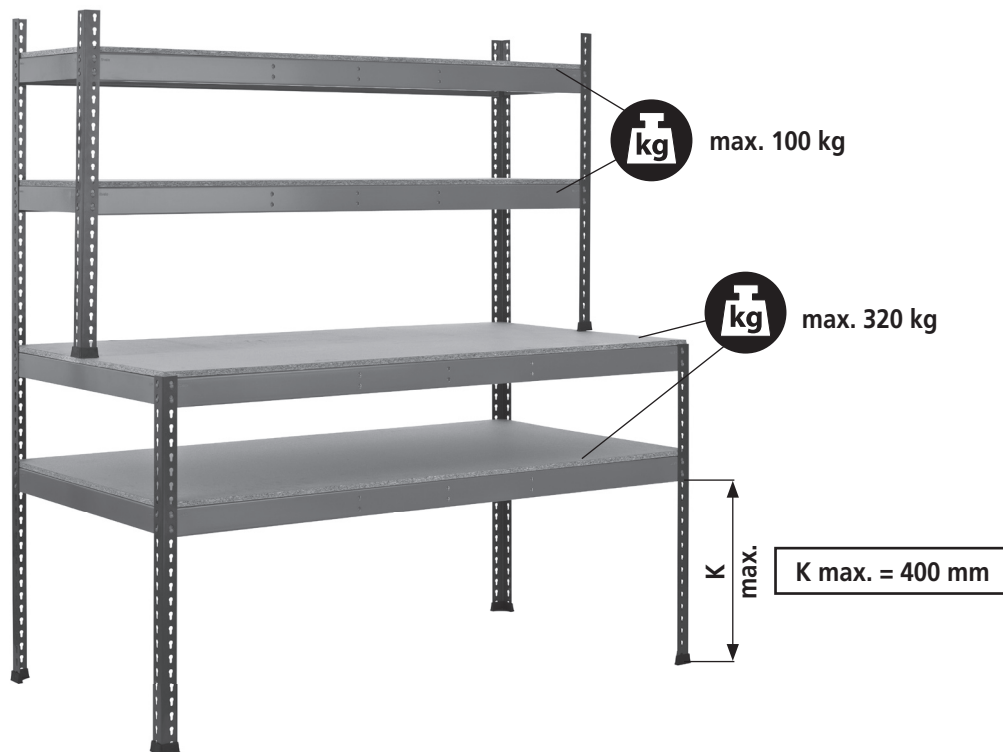
Z 1 - A

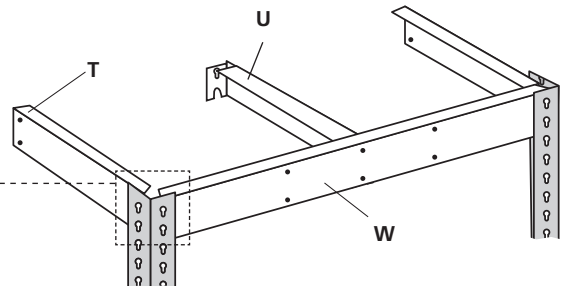
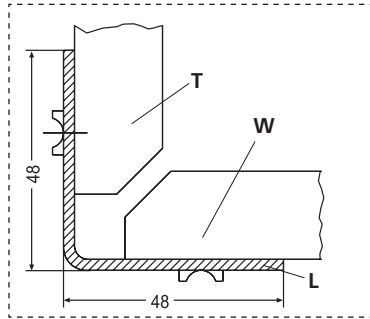
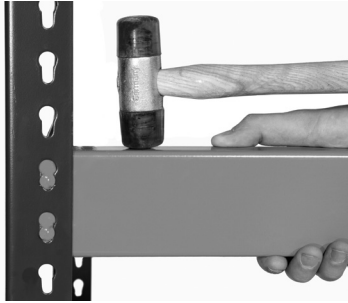




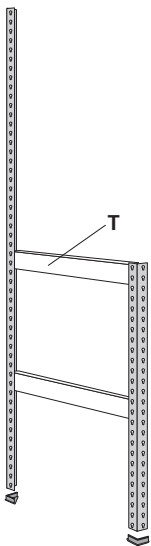
Z 1 - B

Z 1 - B

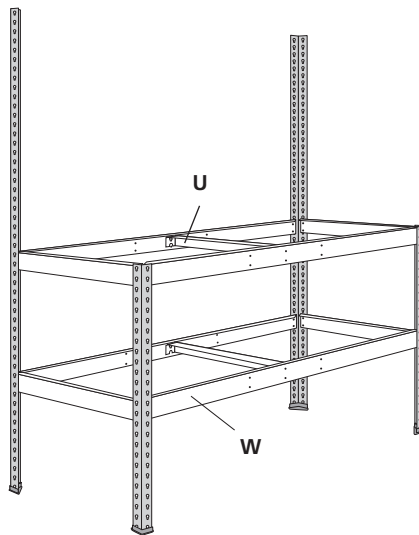




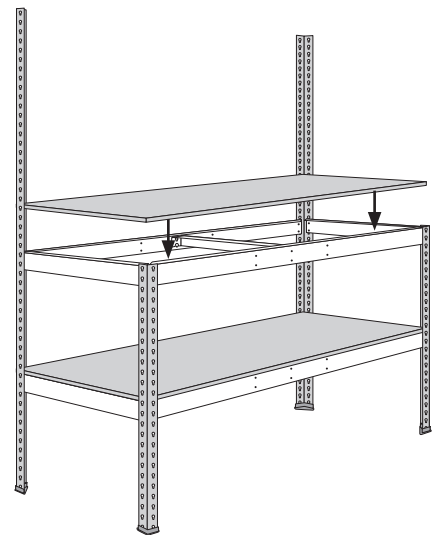
1



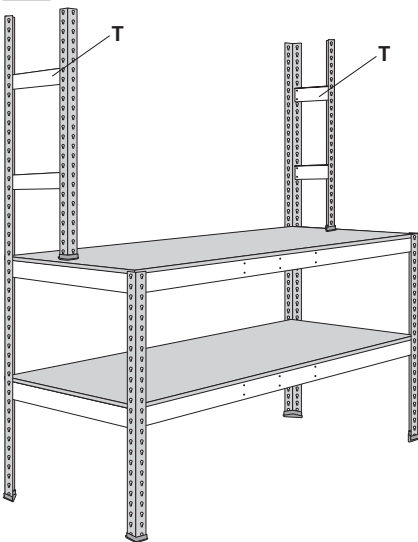
2



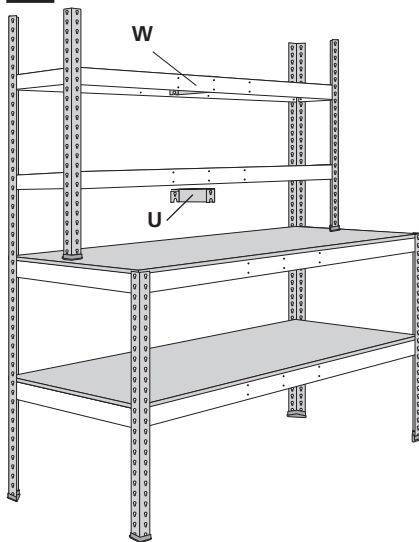
3



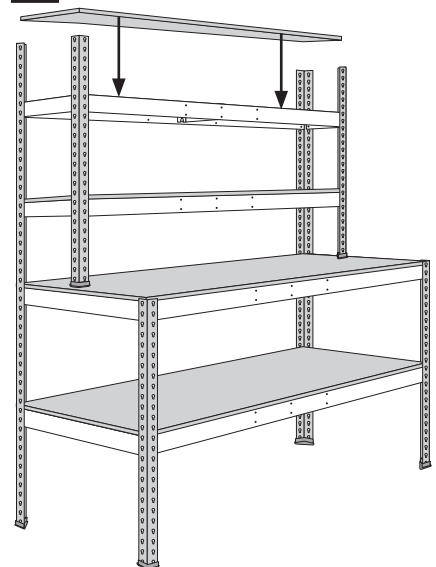
4



5

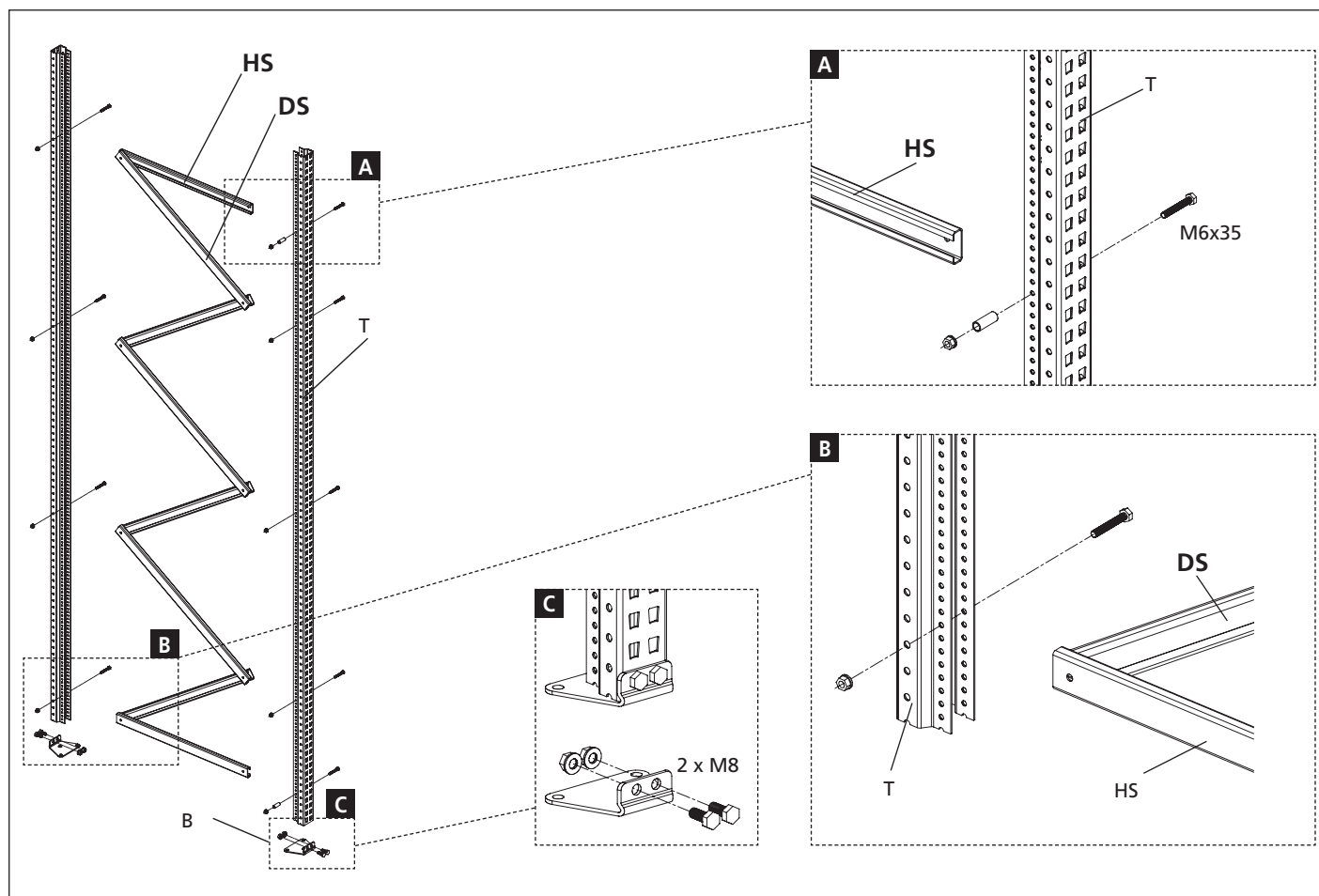


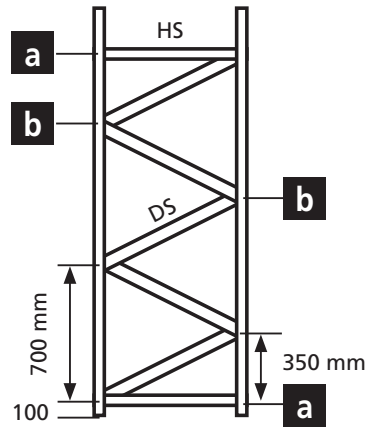
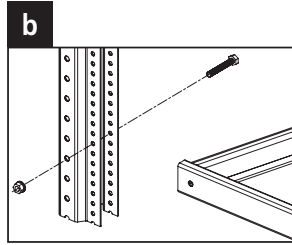
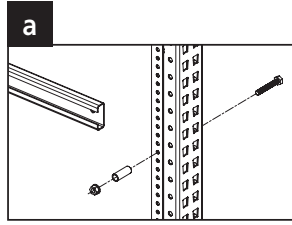
6



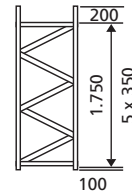
W 100

W 100



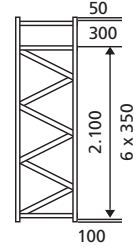


2.000 mm



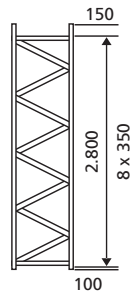
5 x DS 2 x a
2 x HS 6 x b

2.500 mm



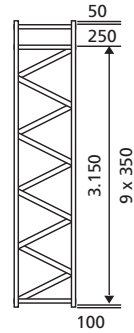
6 x DS 4 x a
3 x HS 7 x b

3.000 mm



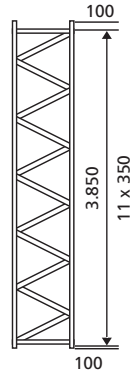
8 x DS 2 x a
2 x HS 9 x b

3.500 mm



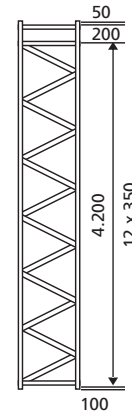
9 x DS 4 x a
3 x HS 10 x b

4.000 mm



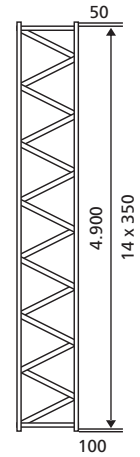
11 x DS 2 x a
2 x HS 12 x b

4.500 mm



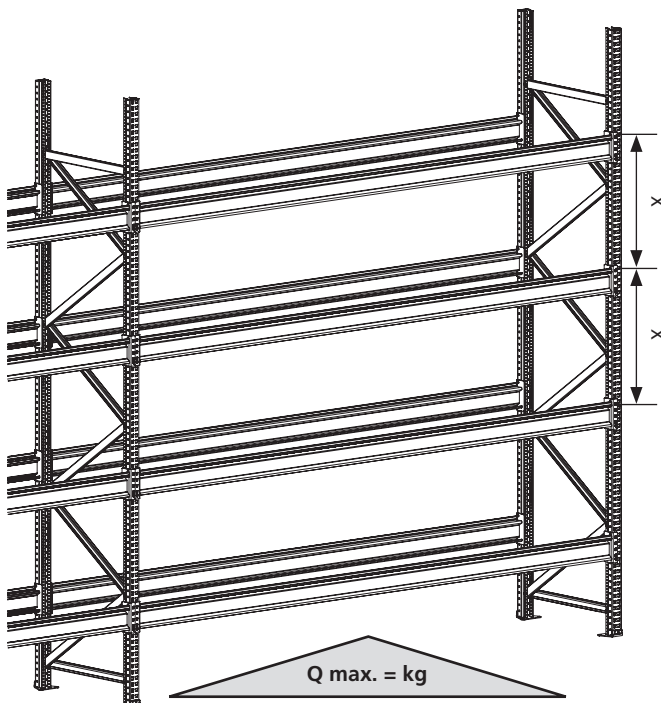
12 x DS 4 x a
3 x HS 13 x b

5.000 mm



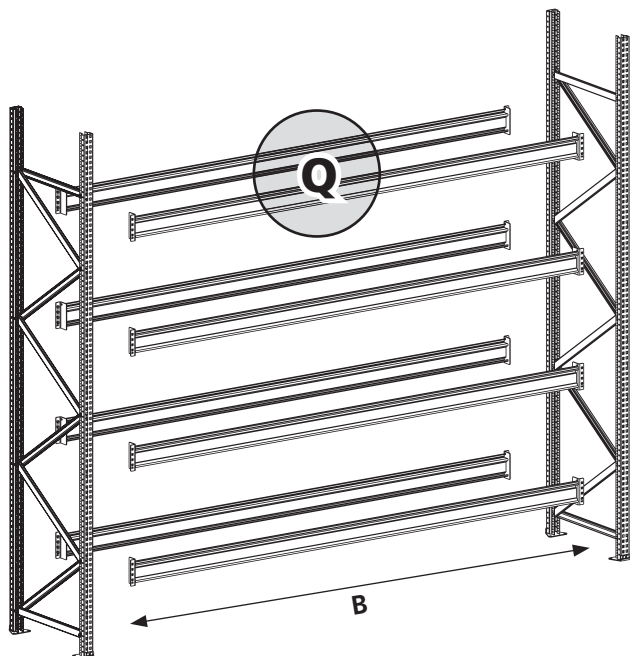
14 x DS 2 x a
2 x HS 15 x b

Q max. (kg)

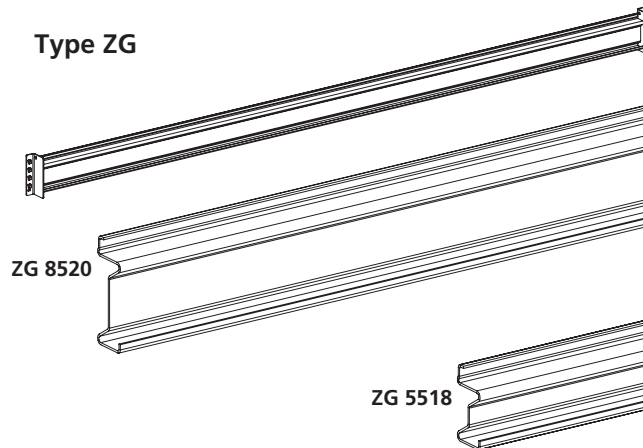


Q max. (kg)

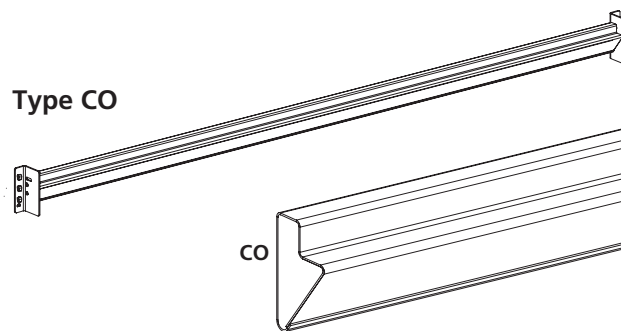
X (mm)	Q max. (kg)
500 mm	3.500 kg
600 mm	3.430 kg
700 mm	3.350 kg
800 mm	3.200 kg
900 mm	3.080 kg
1.000 mm	3.000 kg
1.100 mm	2.800 kg
1.200 mm	2.600 kg



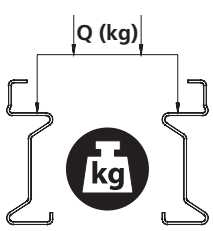
Type ZG



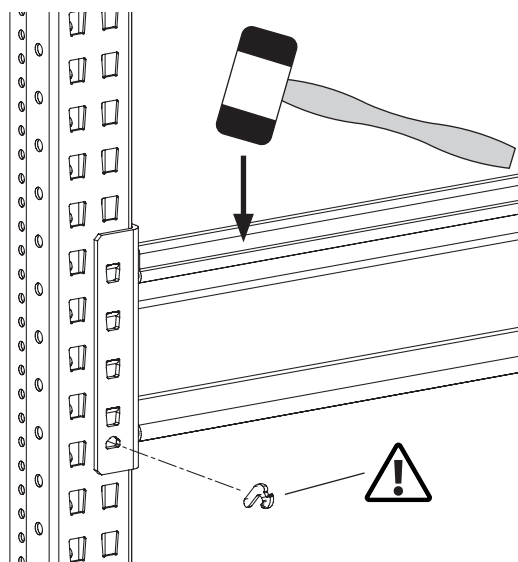
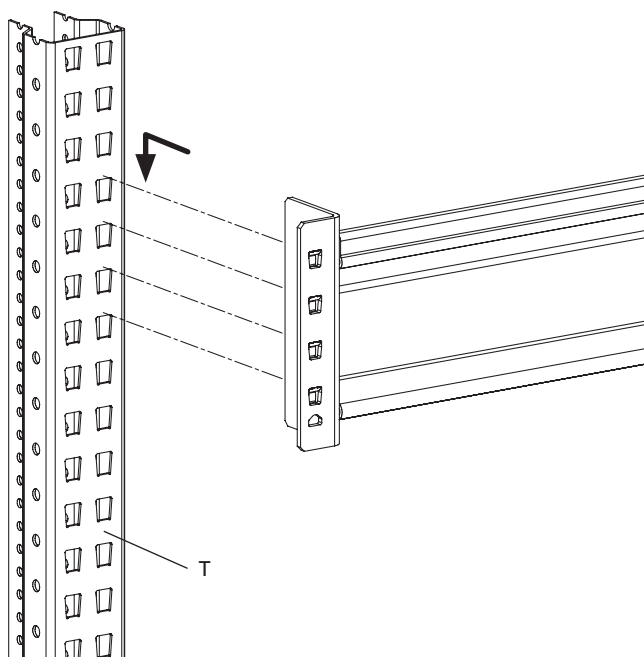
Type CO

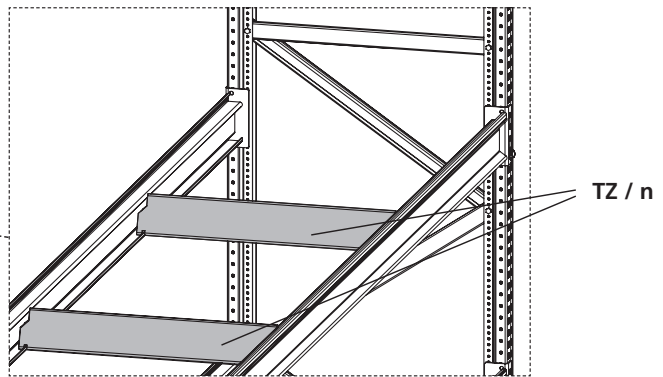
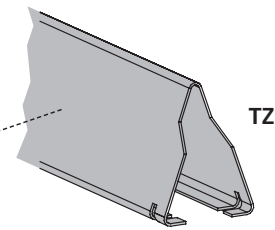
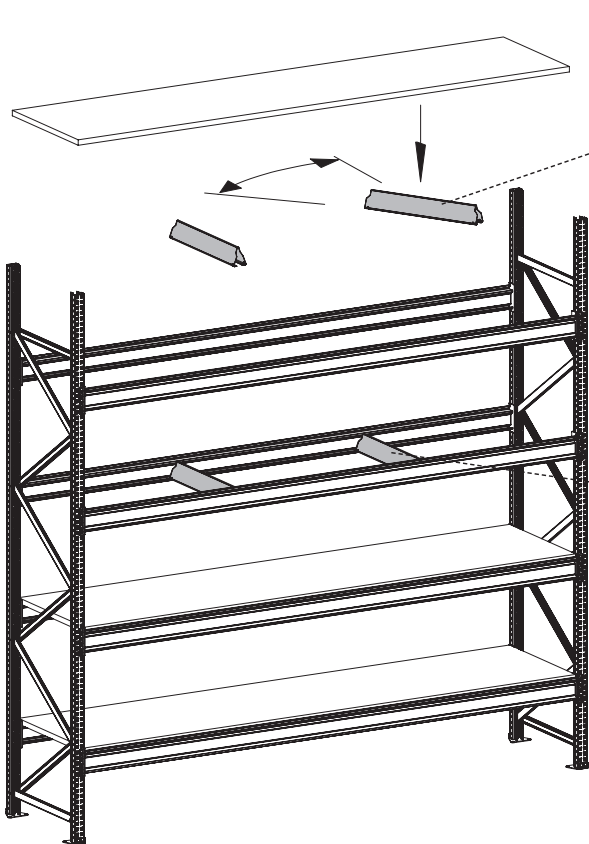
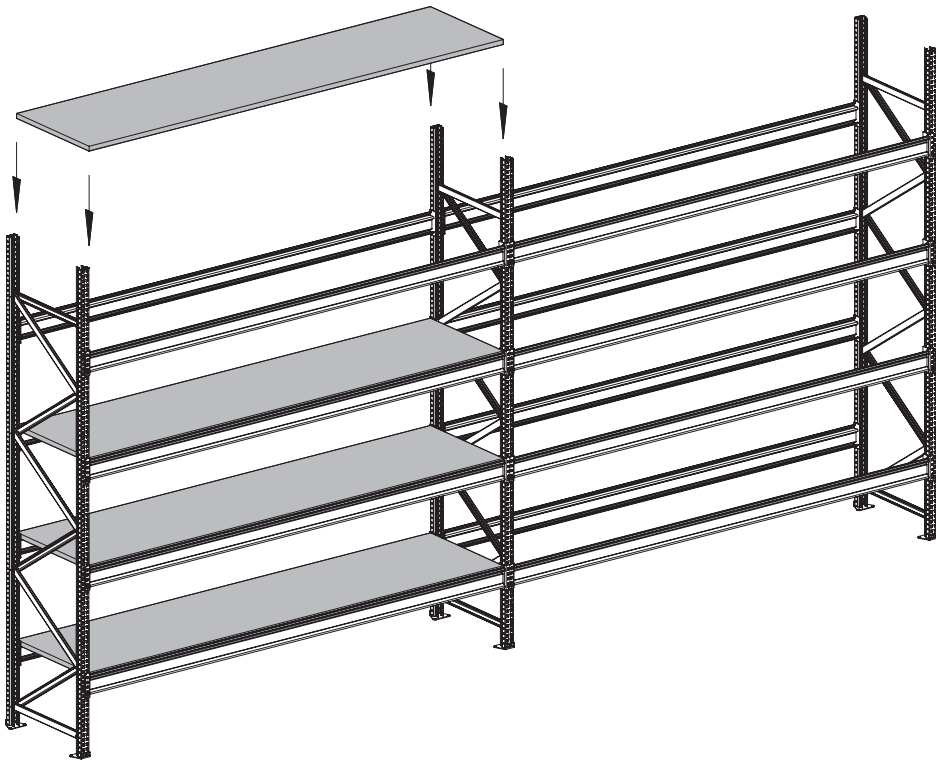


Type	B (mm)	Q (kg)
ZG 5518	1.785 mm	755 kg
ZG 8520	2.410 mm	1.595 kg
ZG 8520	2.500 mm	1.320 kg
CO	1.250 mm	538 kg
CO	1.605 mm	419 kg

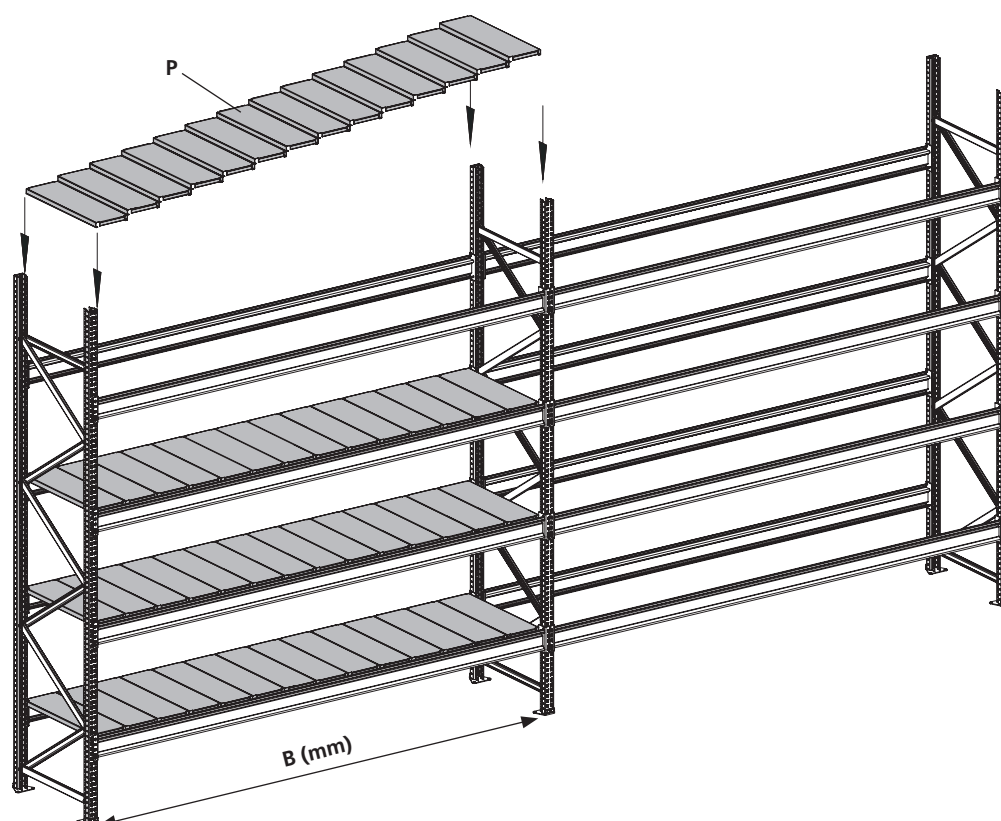


A diagram showing a weight labeled 'Q (kg)' on a shelf, with a circular icon containing 'kg' below it.





TZ		
d (mm)	Type	TZ / n =
600 mm	---	---
800 mm	TZ 55	2
800 mm	TZ 85	2
1.000 mm	TZ 55	2
1.000 mm	TZ 85	3
1.200 mm	TZ 55	3
1.200 mm	TZ 85	3



B (mm)	P / n =
1.785 mm	10
2.140 mm	12
2.500 mm	14

