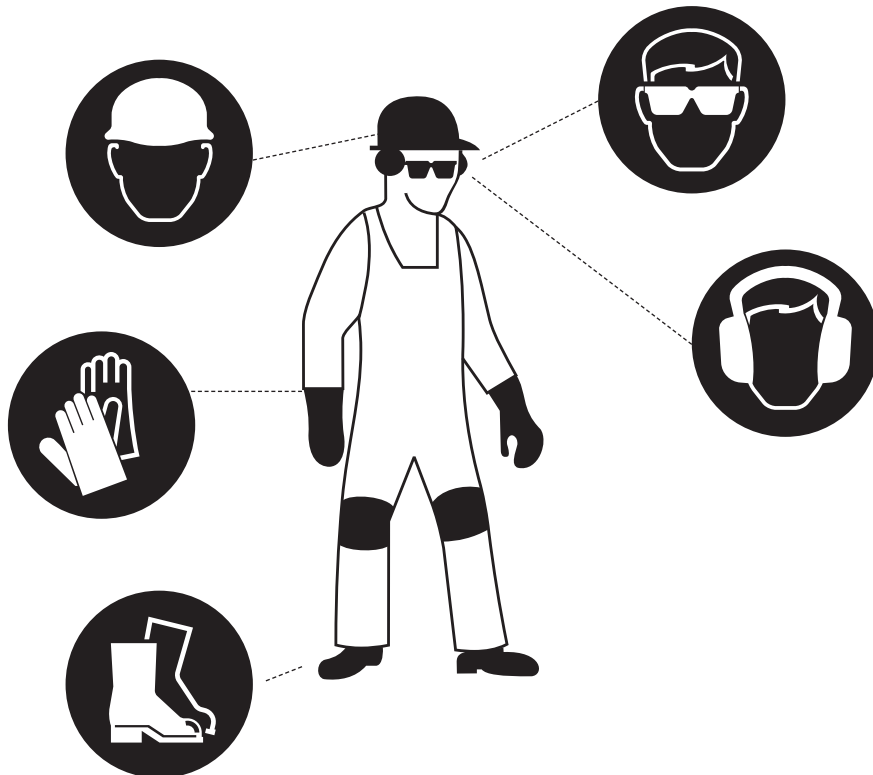
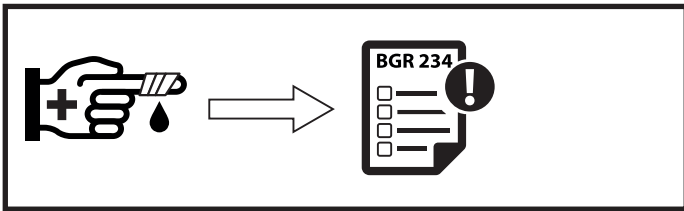
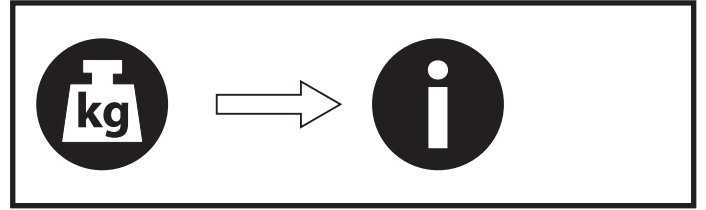
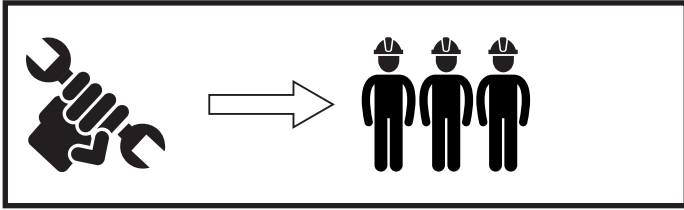
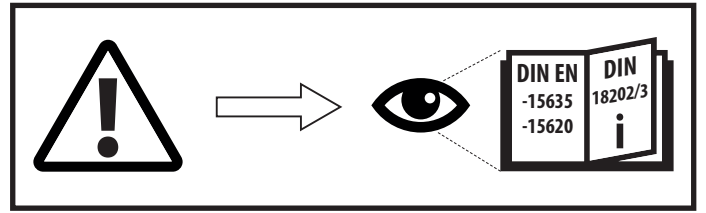
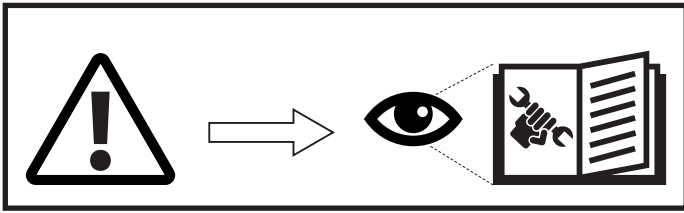


WS 2000 | WS 3000 | Z 1 | W 100

Art.-Nr. 13033-KK

GB Wide span racks - **Assembly and operating instructions**
FR Rayonnages grande portée - **Instructions de montage et de service**
NL Grootvakstellingen - **Opbouw- en Bedieningshandleiding**
ES Estanterías amplias - **Instrucciones de montaje y uso**
IT Scaffali a ripiani lunghi - **Istruzioni per il montaggio e l'uso**
PT Estantes largas - **Manual de montagem e instruções**
PL Regály o dużej rozpiętości - **Instrukcja montażu i eksploatacji**
CZ Regály s velkým rozpětím - **Navod k montáži a obsluze**
HU Nagy fesztávú polcrendszer - **Felelősi és használati utasítás**
RO Rafturi cu deschiderea larga - **Instructiuni de asamblare si utilizare**

DK Bred span reoler - **Opbygnings- og Betjeningsmanuel**
NO Stort spenn hyller - **Montasje- og Betjeningsveiledning**
SE Extra breda hyllstáll - **Monterings- och Bruksanvisning**
RU Длинные стеллажи - **Монтаж и Инструкция по эксплуатации**
TR Geniş aralıklı raflar - **Montaj ya kullanma kılavuzu**
SI Široki regali - **Namestitev in Operating Manual**
HR Široki regali - **Instalacija i Operativni Priručnik**
SK Regály s veľkým rozpätím - **Návod na inštaláciu a obsluhu**
JP ワイドスパン棚 - **設置・操作マニュアル**
CN 大跨度貨架 - **安裝和操作手冊**





WS 2000



WS 3000



Z 1



Z 1 - A

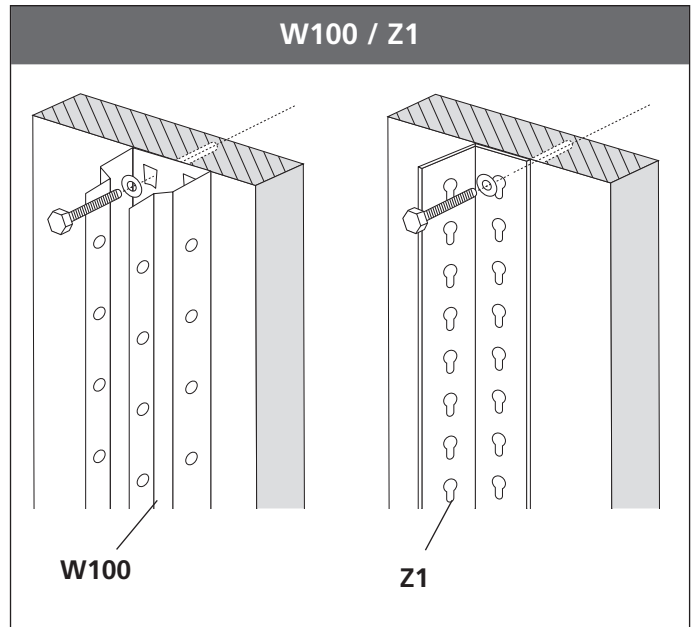
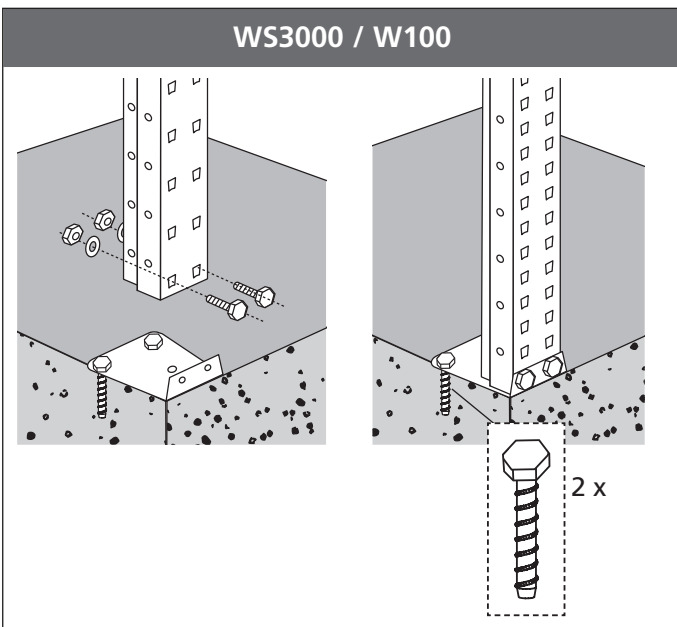
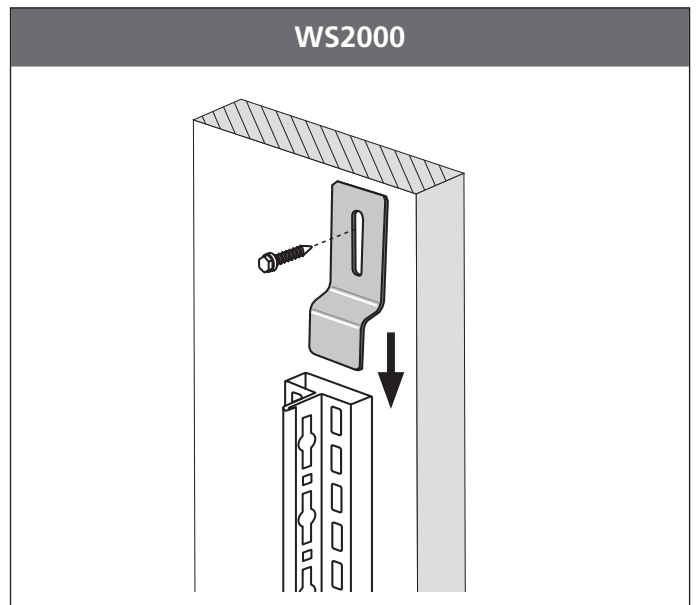
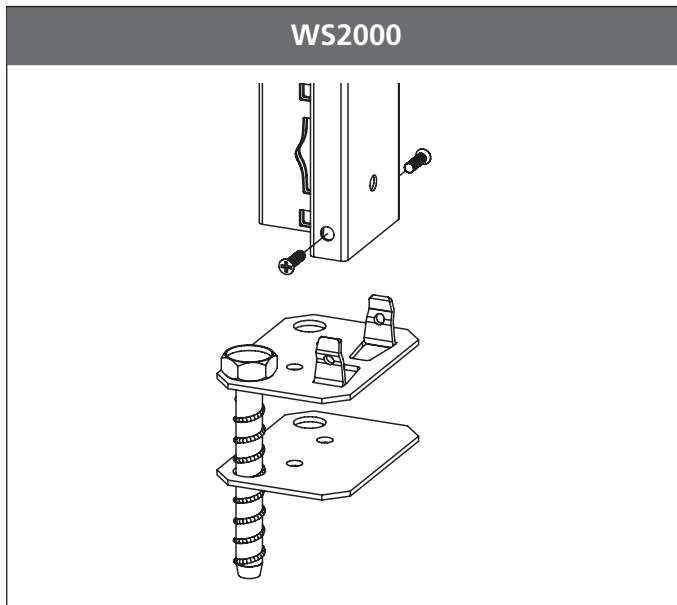
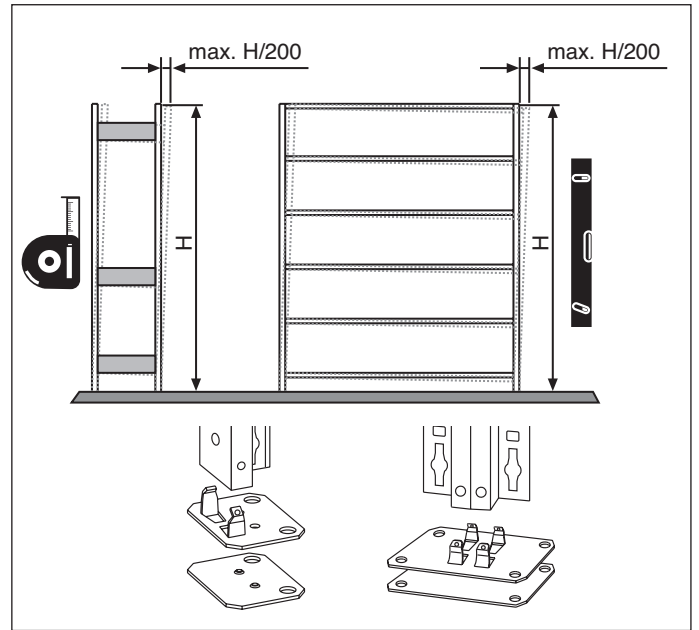
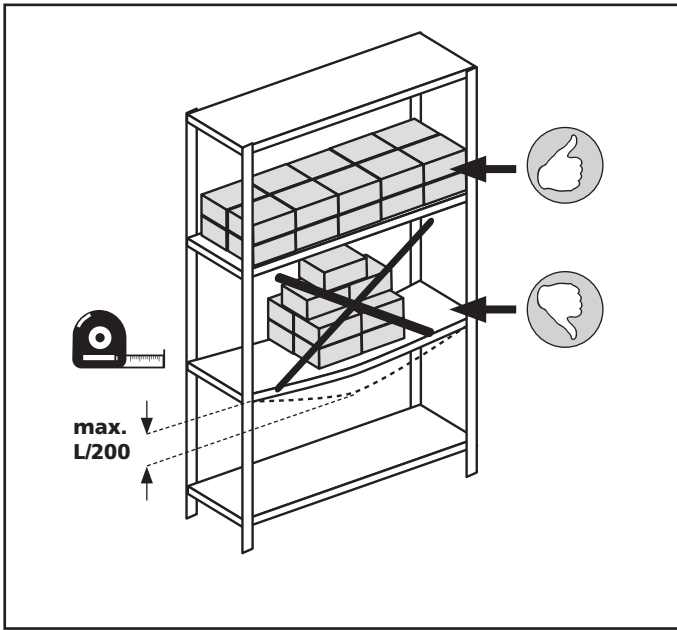


Z 1 - B



W 100



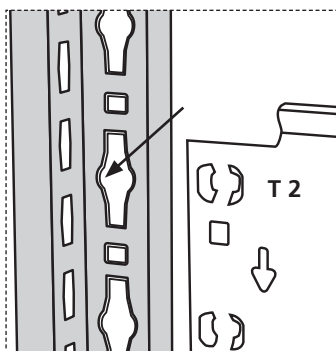
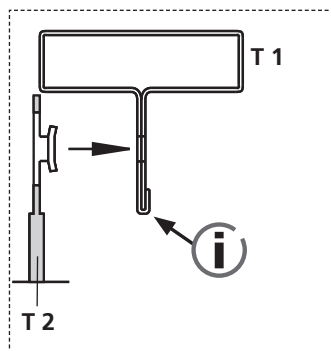
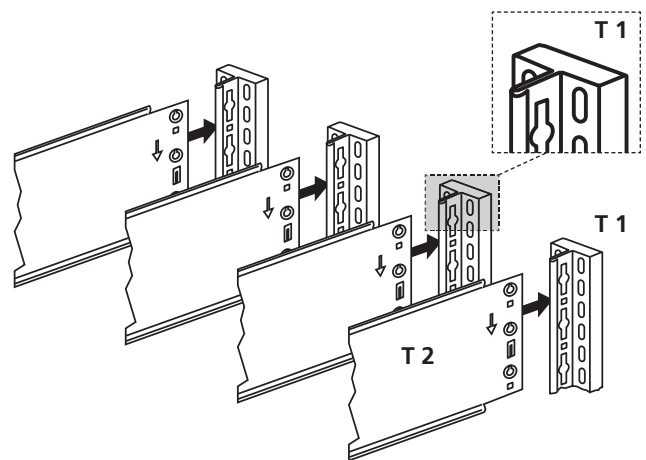
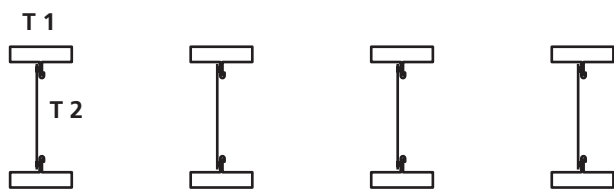


WS 2000

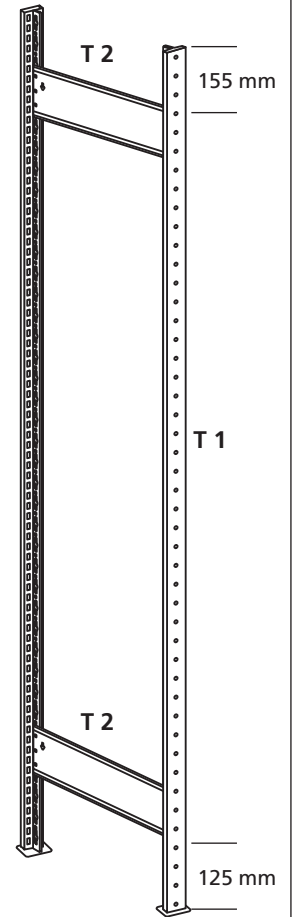
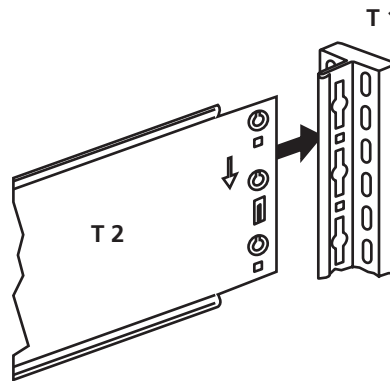
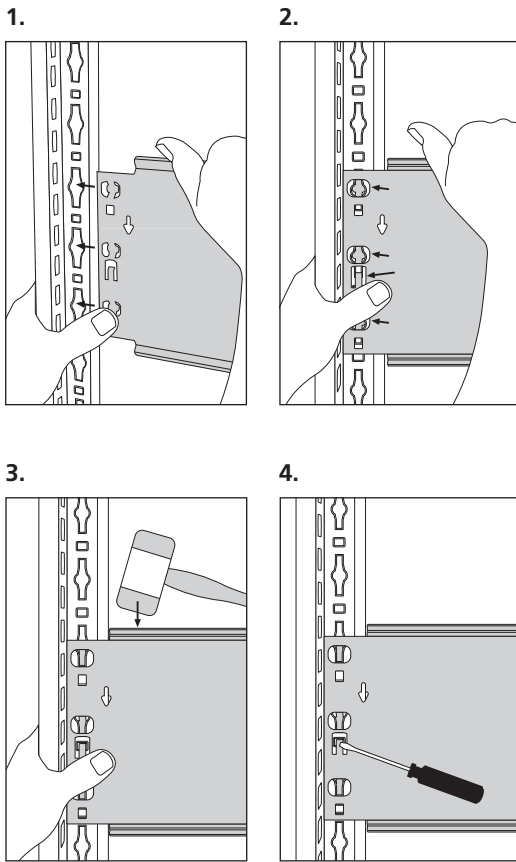
WS 2000



T 1 / T 2



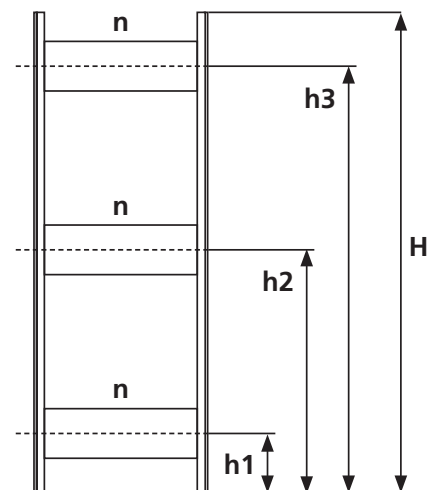
T 2



H & n = Q max. KG

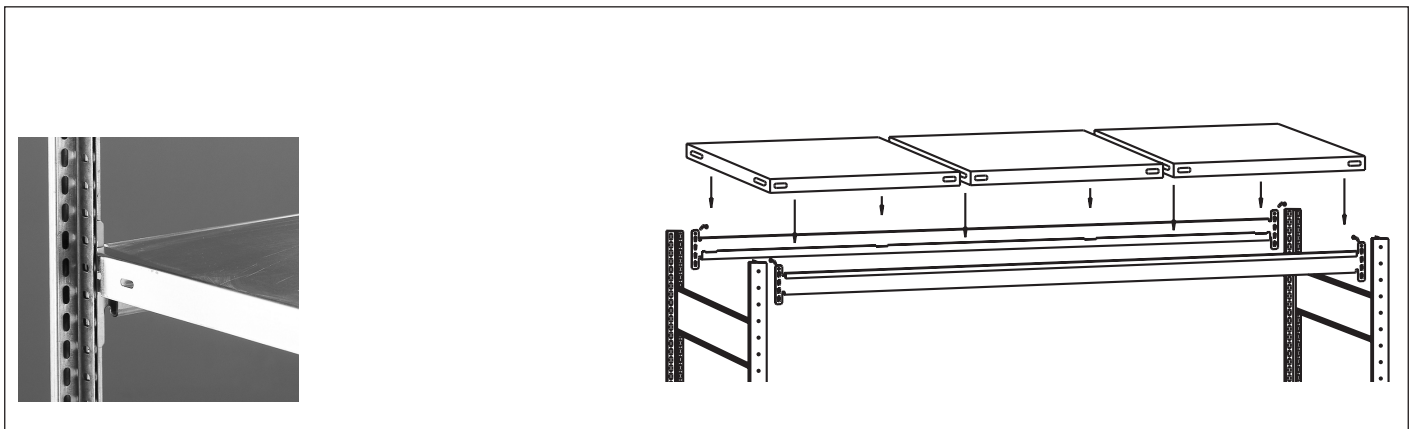
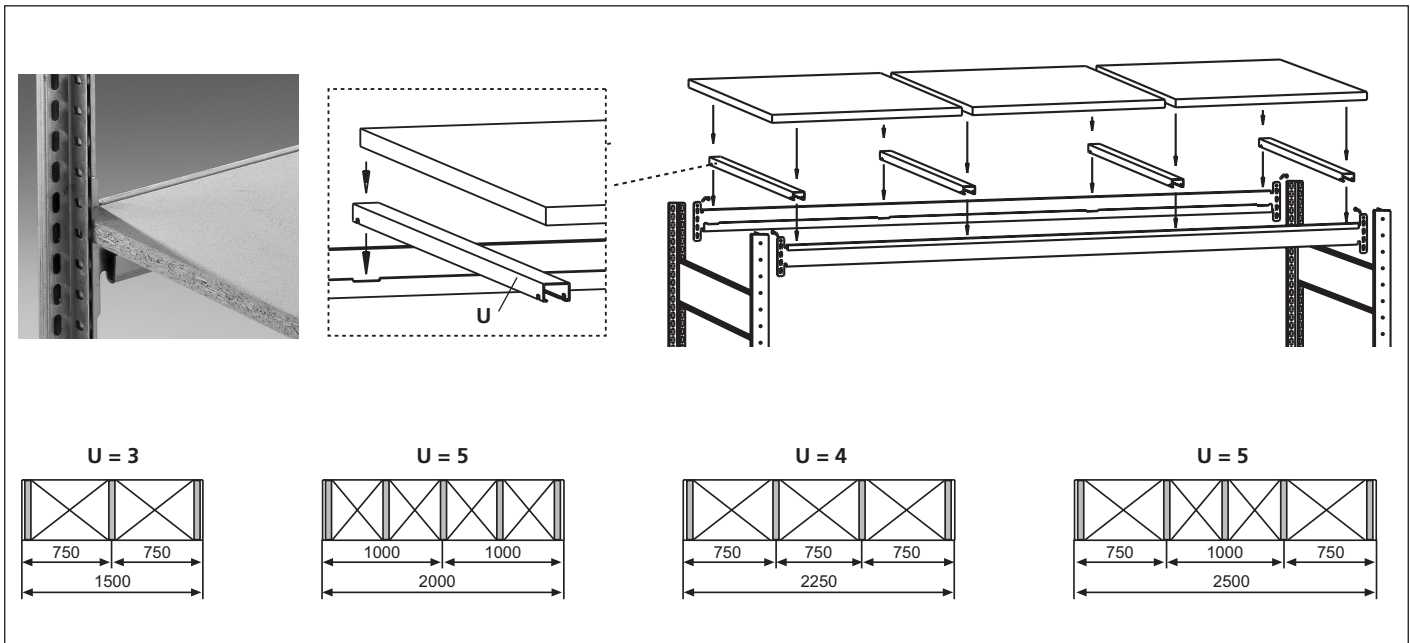
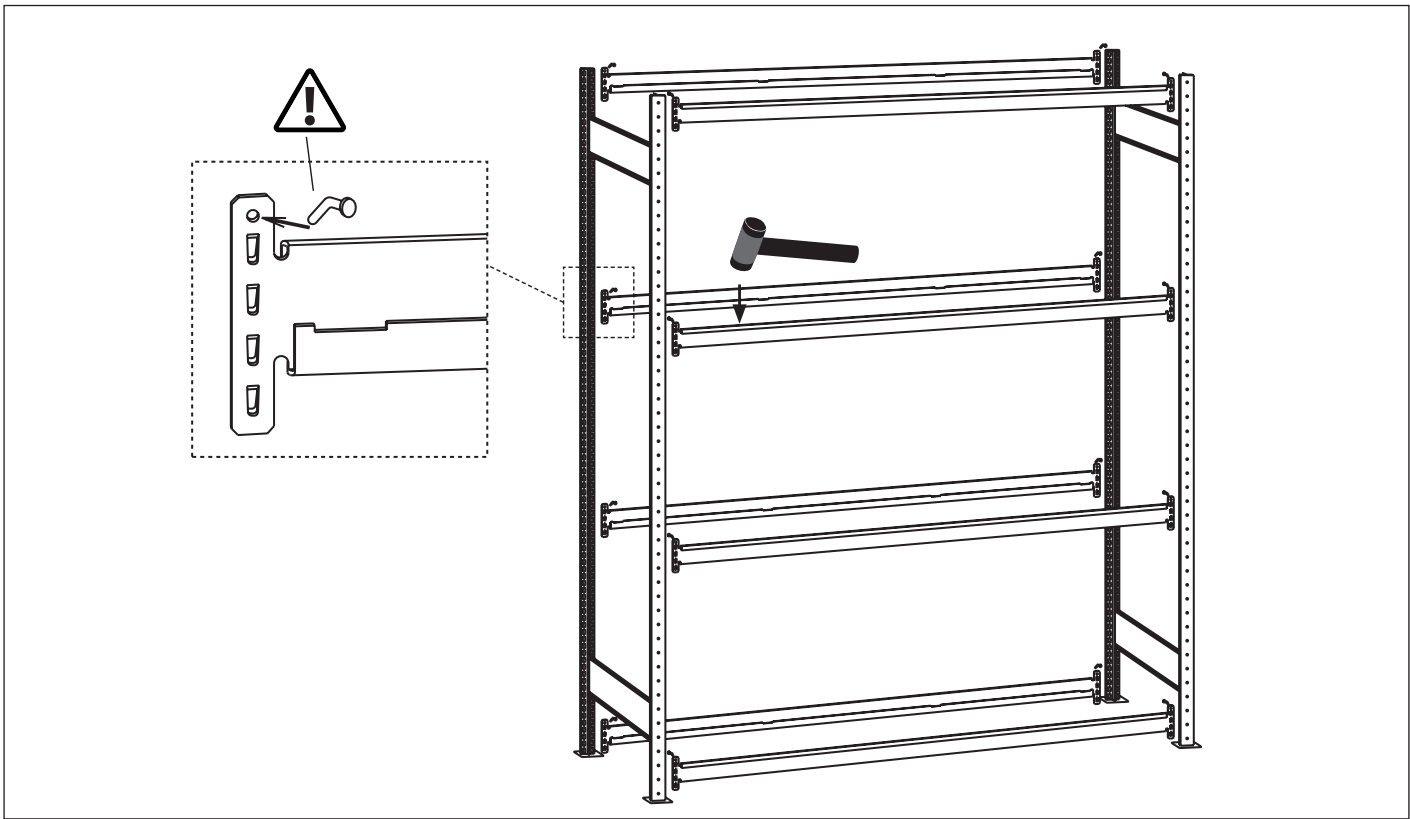
H & n

| H mm | n = | mm | | |
|---------------|-----|-----|-------|-------|
| | | h1 | h2 | h3 |
| 2.000 - 2.299 | 2 | 206 | 1.756 | --- |
| 2.300 - 2.499 | 2 | 206 | 2.056 | --- |
| 2.500 - 3.000 | 3 | 206 | 1.006 | 2.256 |



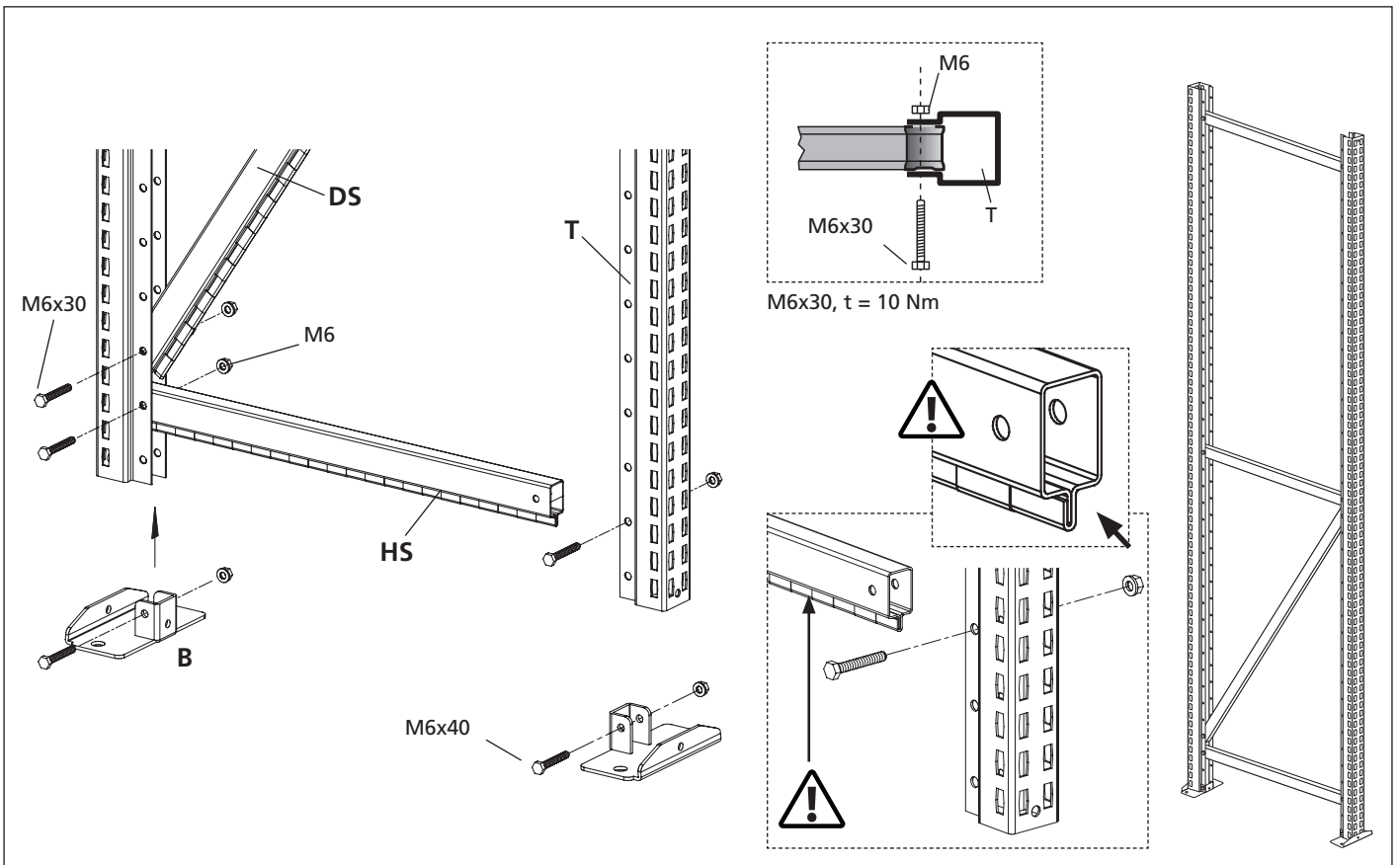
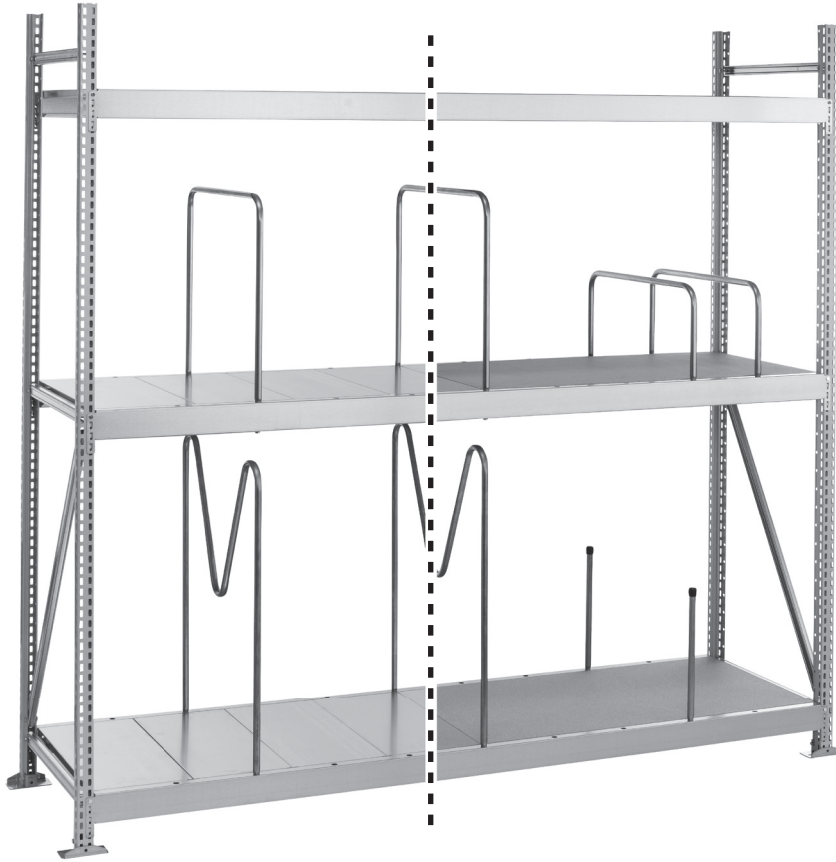
kg Q max. kg

| | H = 2.000 mm / n = | 2.500 mm / n = | 3.000 mm / n = |
|--------|--------------------|-----------------|-----------------|
| Q max. | n = 3: 1.250 kg | n = 4: 1.800 kg | n = 5: 2.100 kg |
| Q max. | n = 2: 800 kg | | |

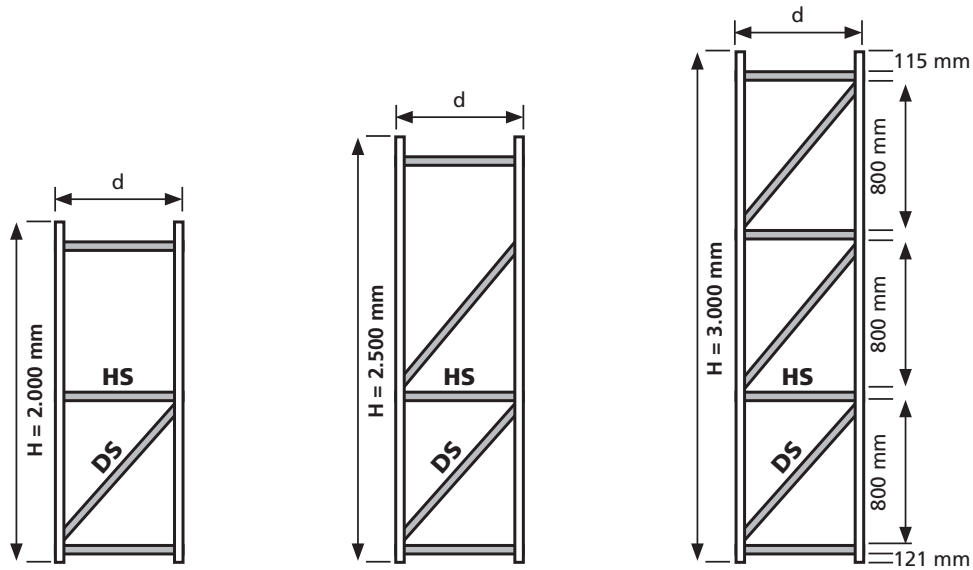


WS 3000

WS 3000



HS & DS

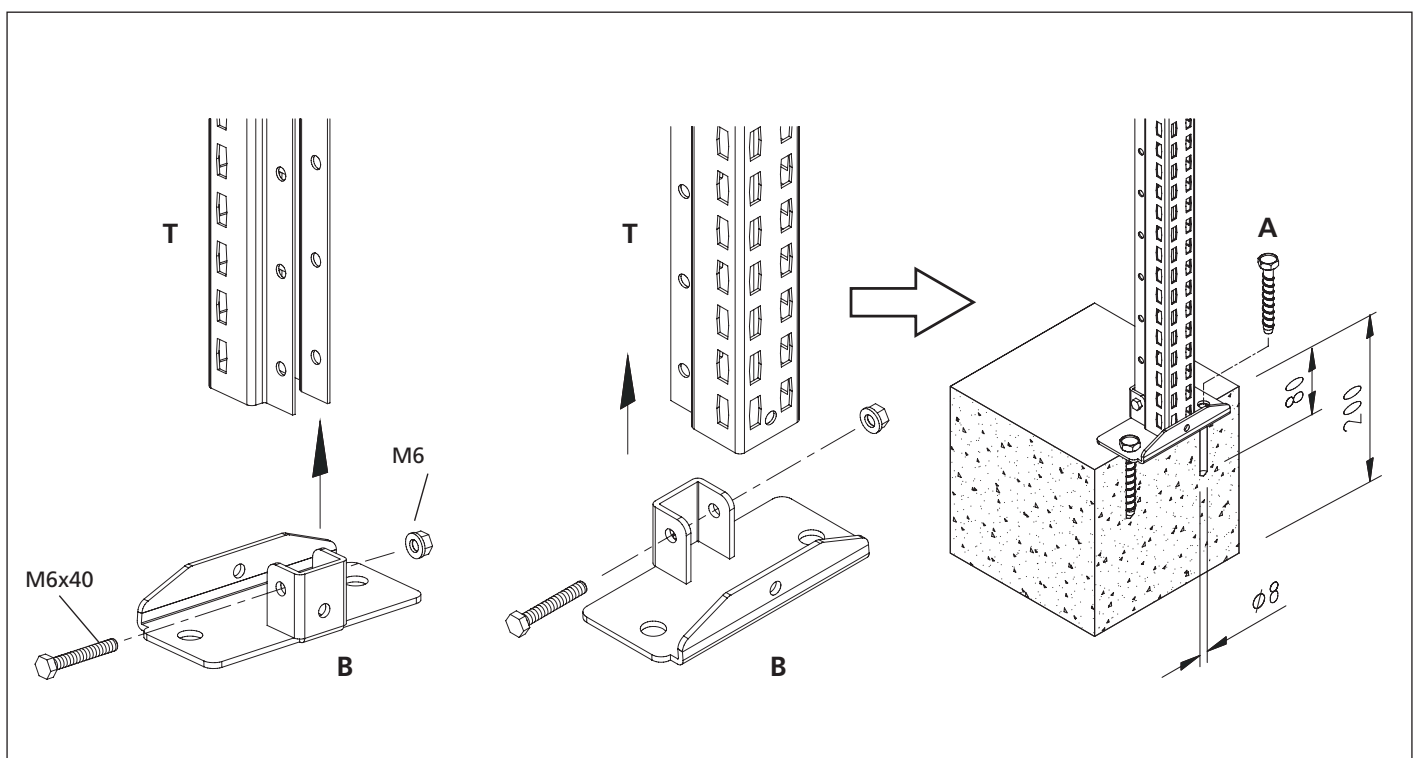


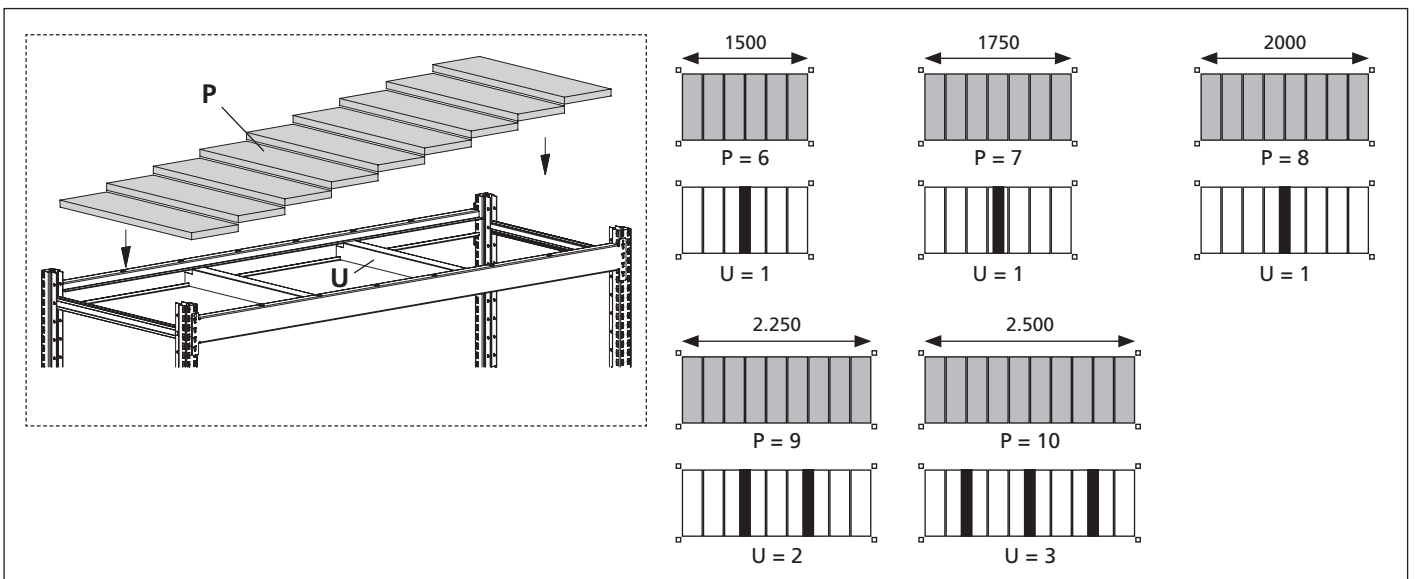
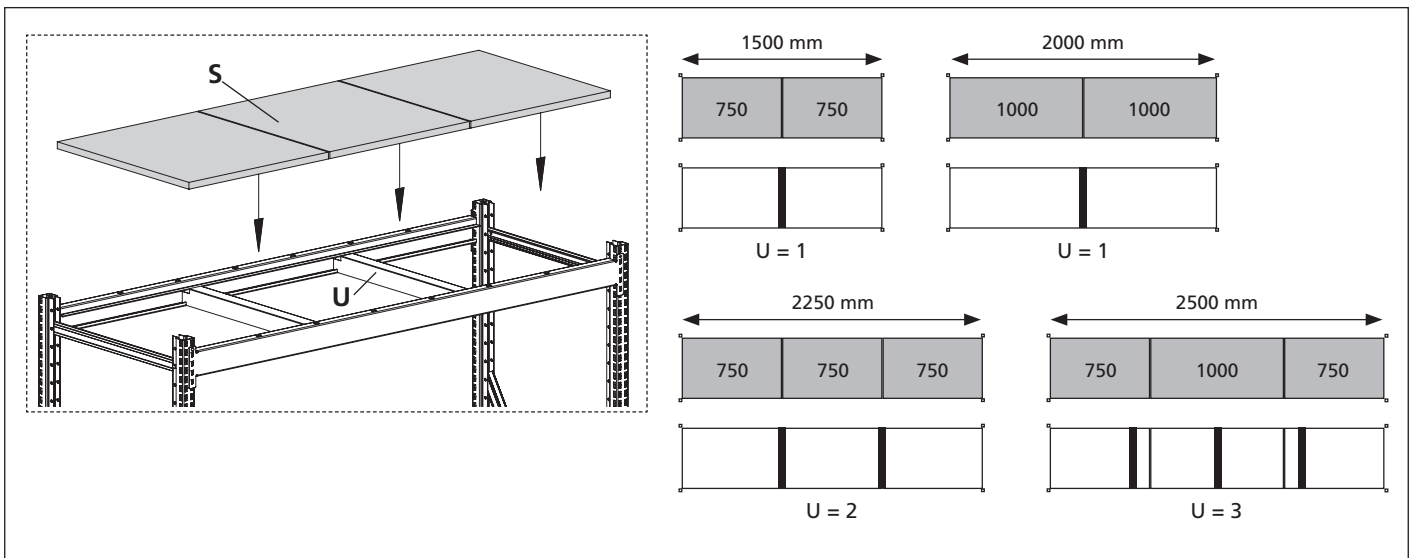
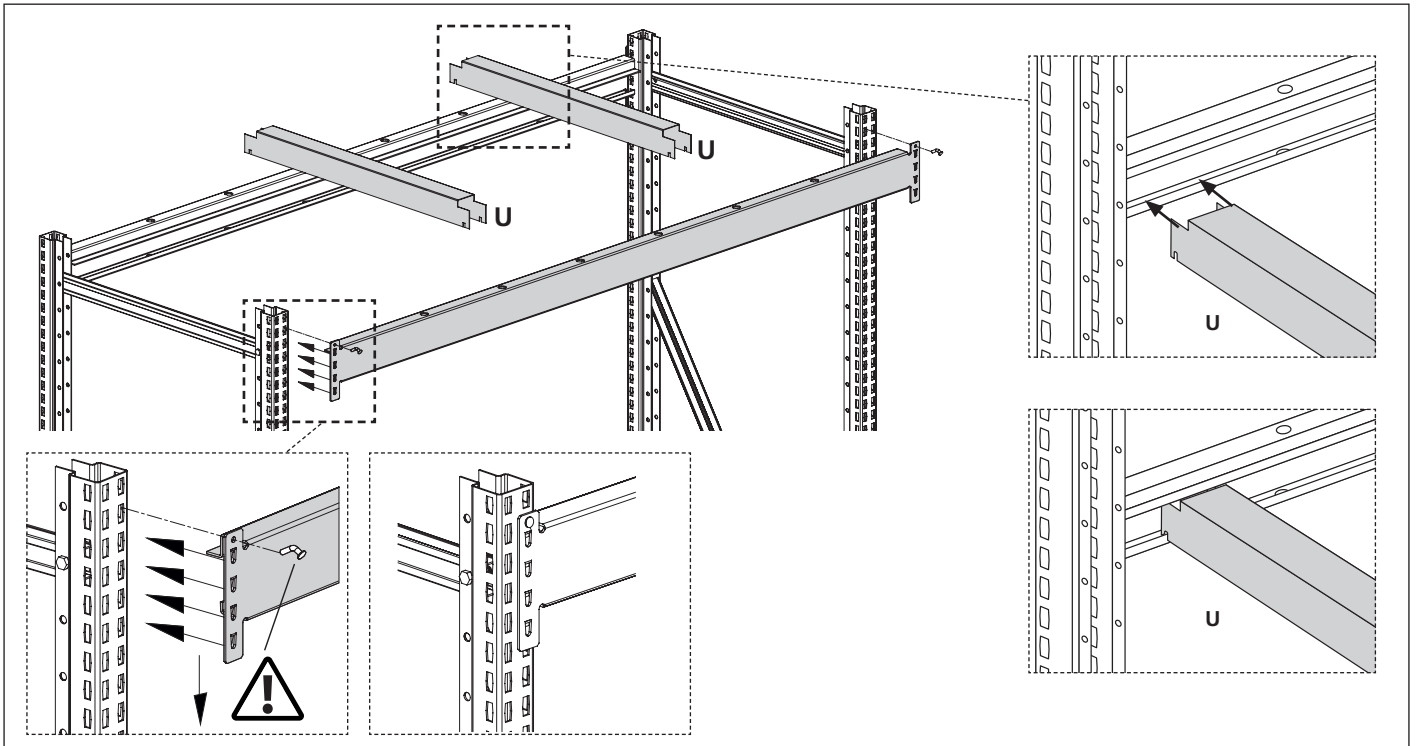
HS & DS

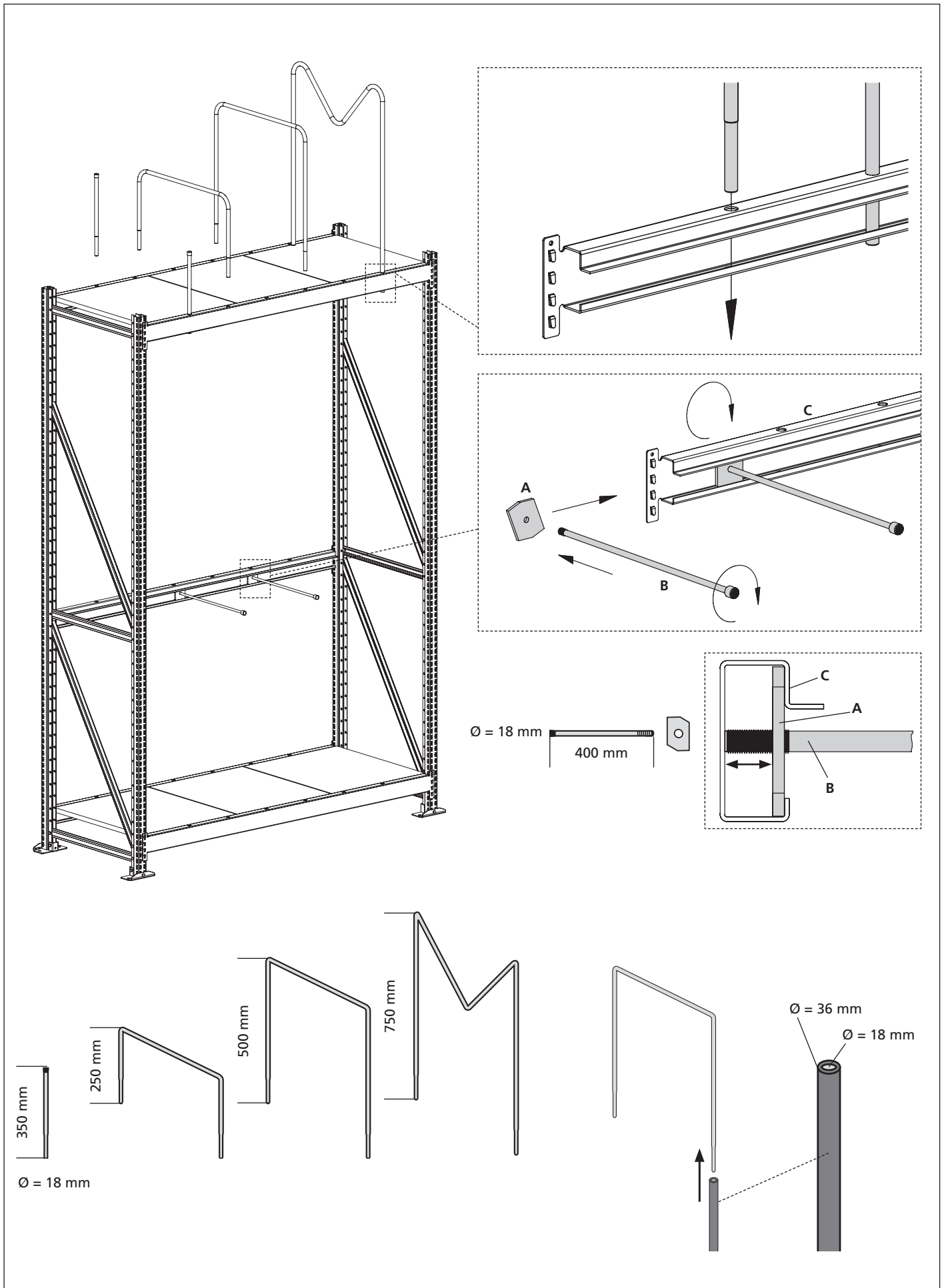
| H = | 2.000 mm | 2.500 mm | 3.000 mm |
|-----|----------|----------|----------|
| HS: | 3 x | 3 x | 4 x |
| DS: | 1 x | 2 x | 3 x |

HS & DS (mm)

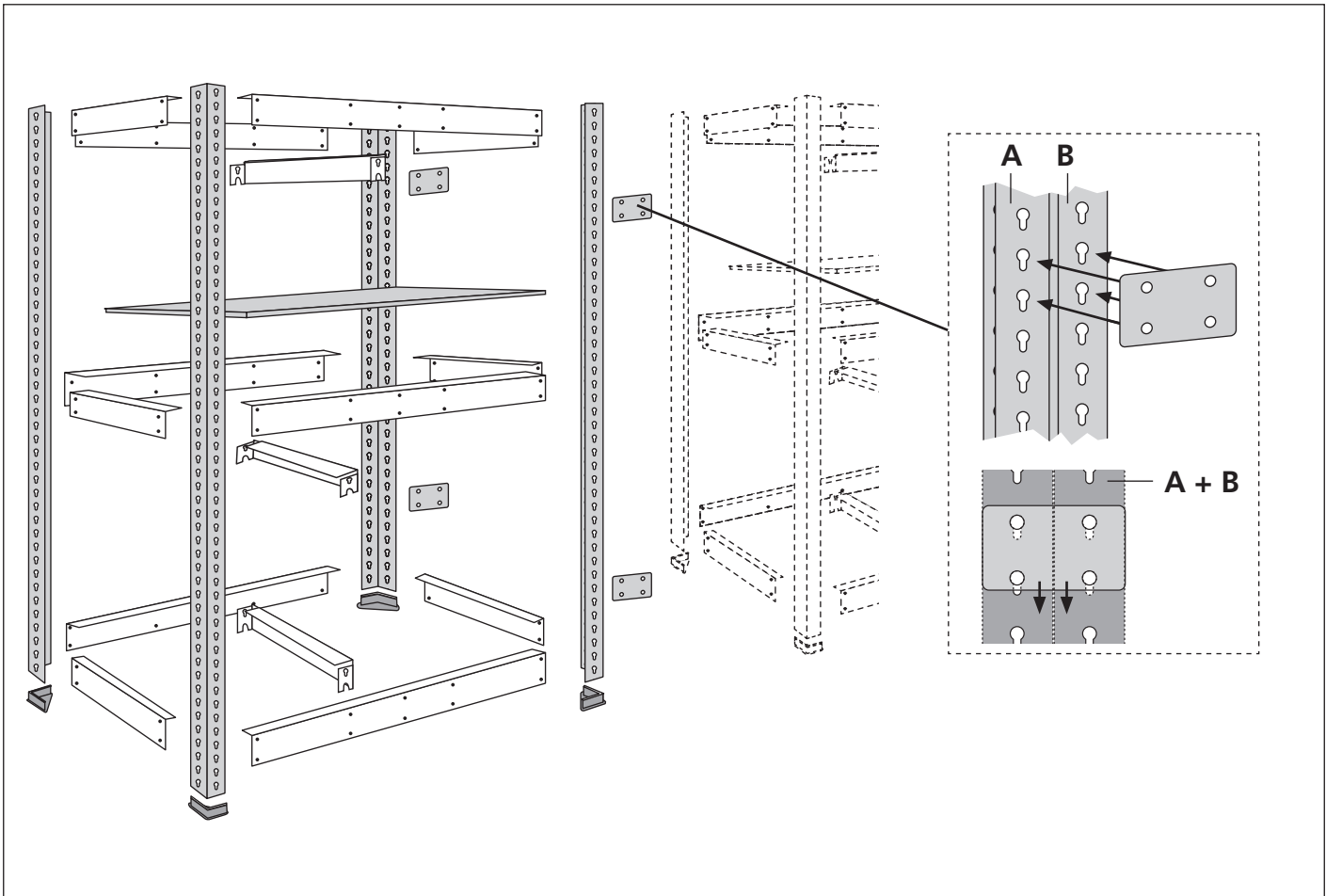
| d = | 500 mm | 600 mm | 800 mm | 1.000 mm |
|---------|--------|--------|----------|----------|
| HS (mm) | 453 mm | 553 mm | 753 mm | 953 mm |
| DS (mm) | 940 mm | 990 mm | 1.112 mm | 1.254 mm |

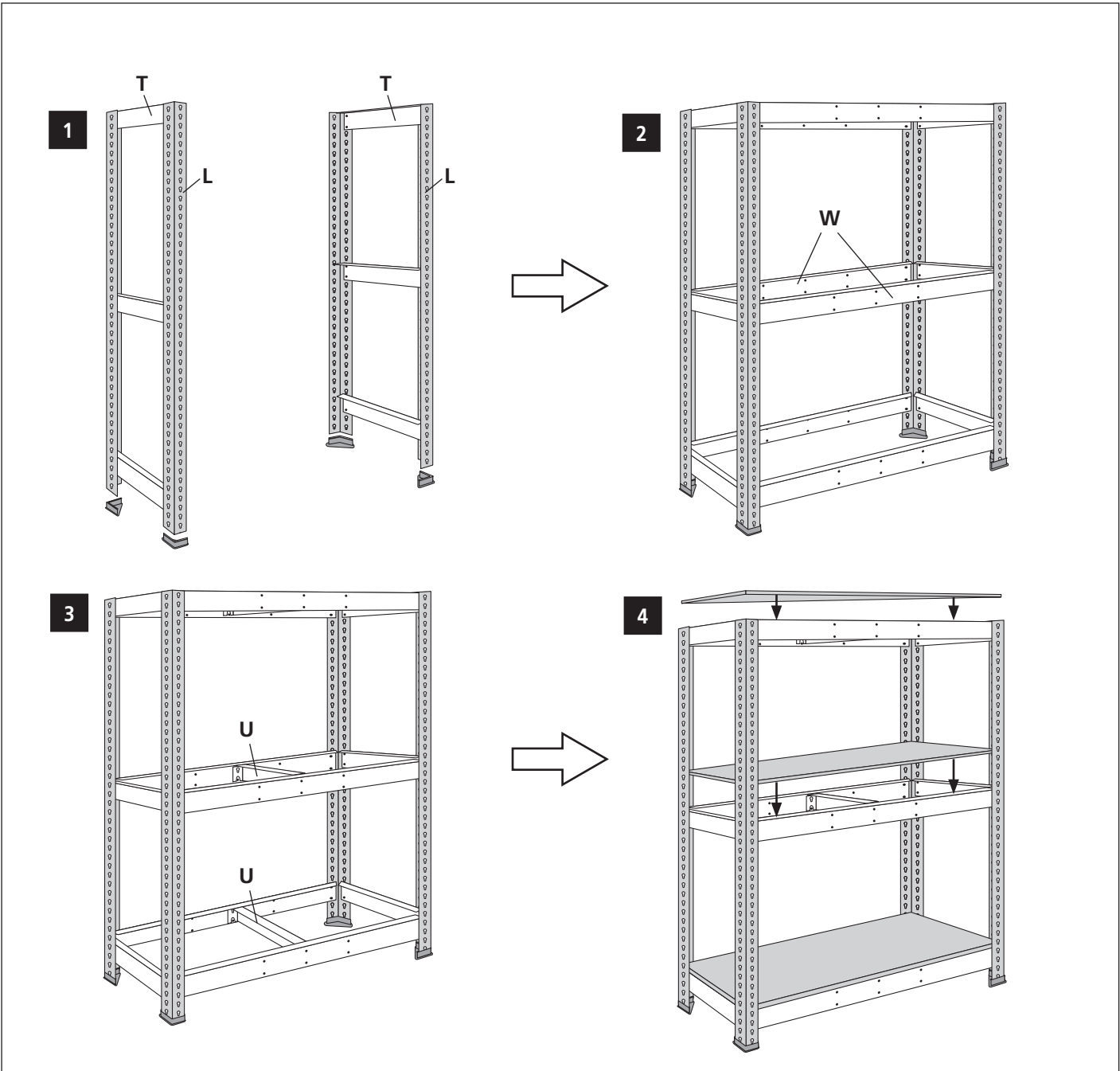
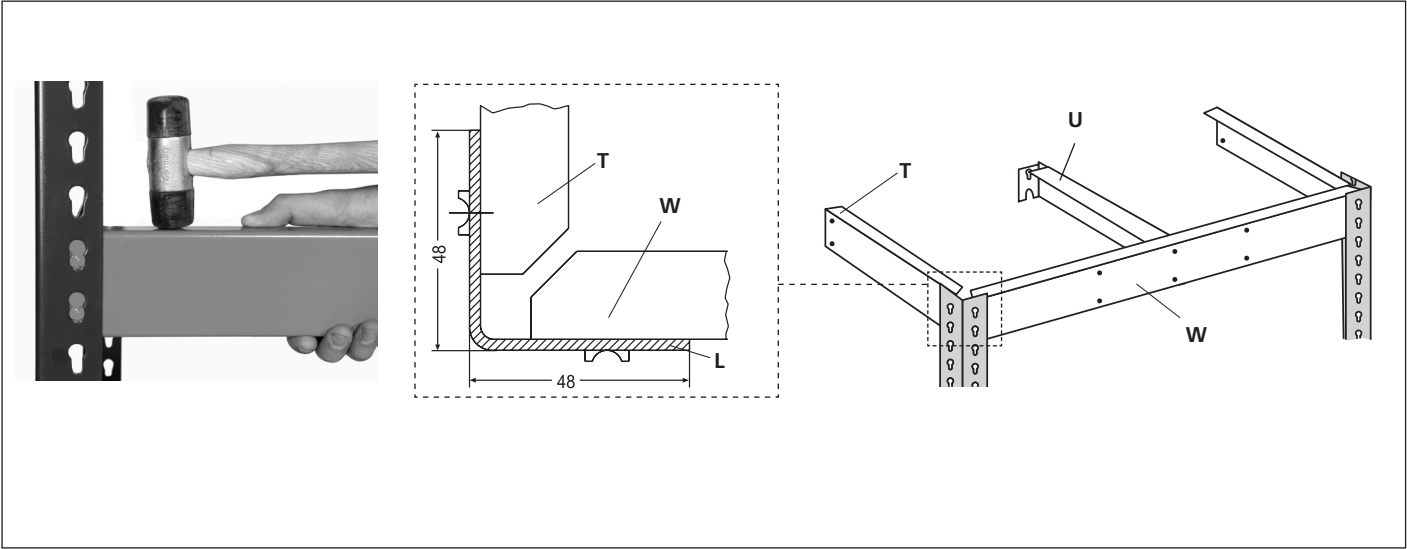


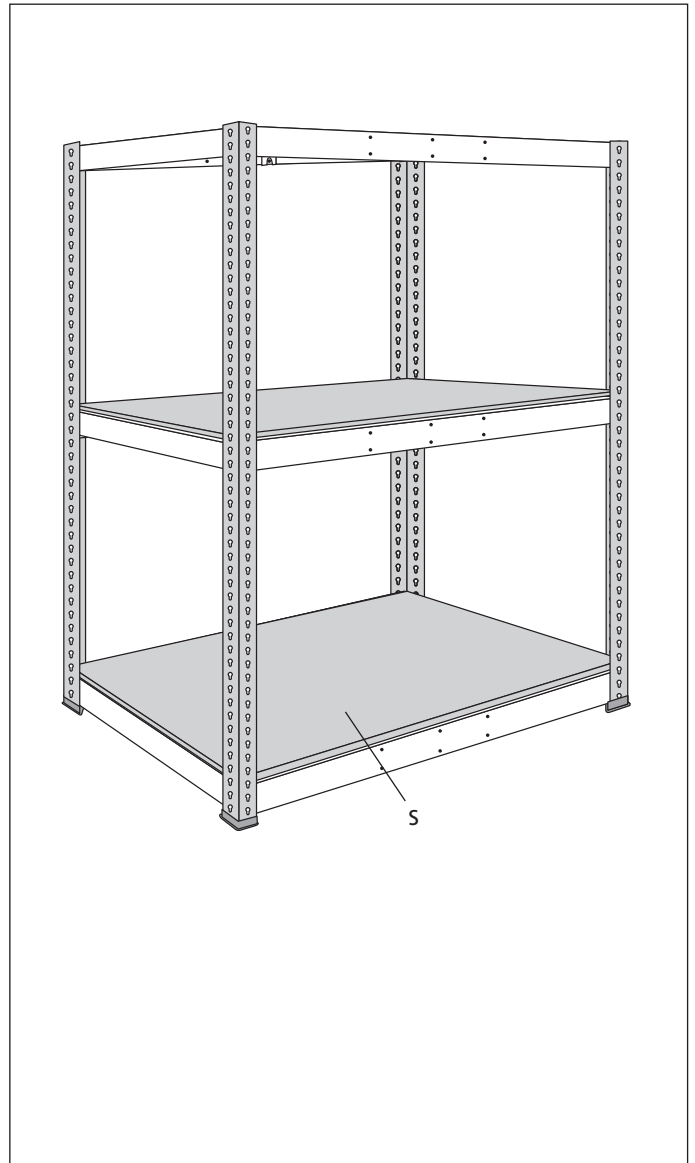
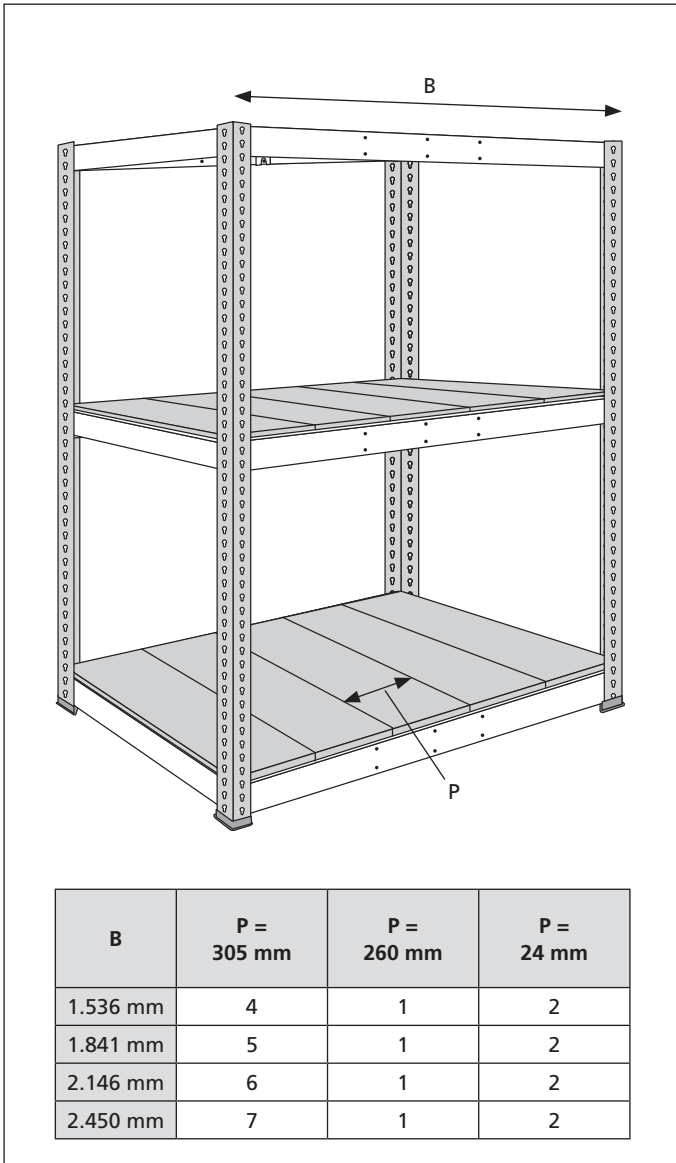




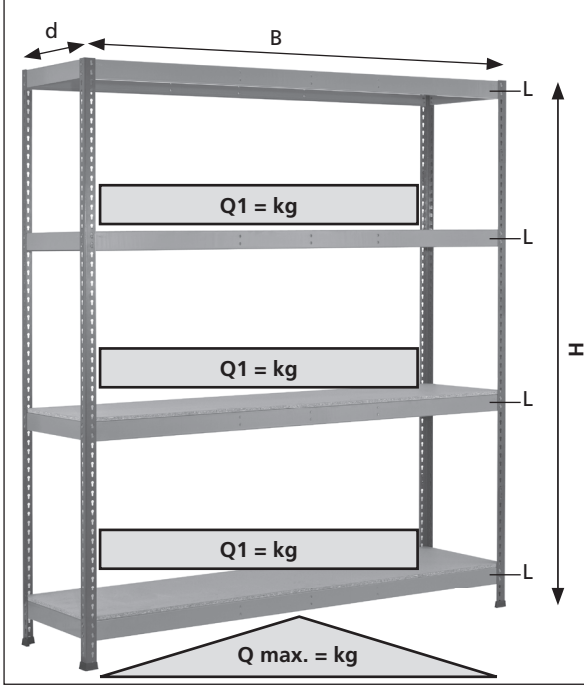
Z 1







Q1 & Q max. (kg)



Q1 = kg

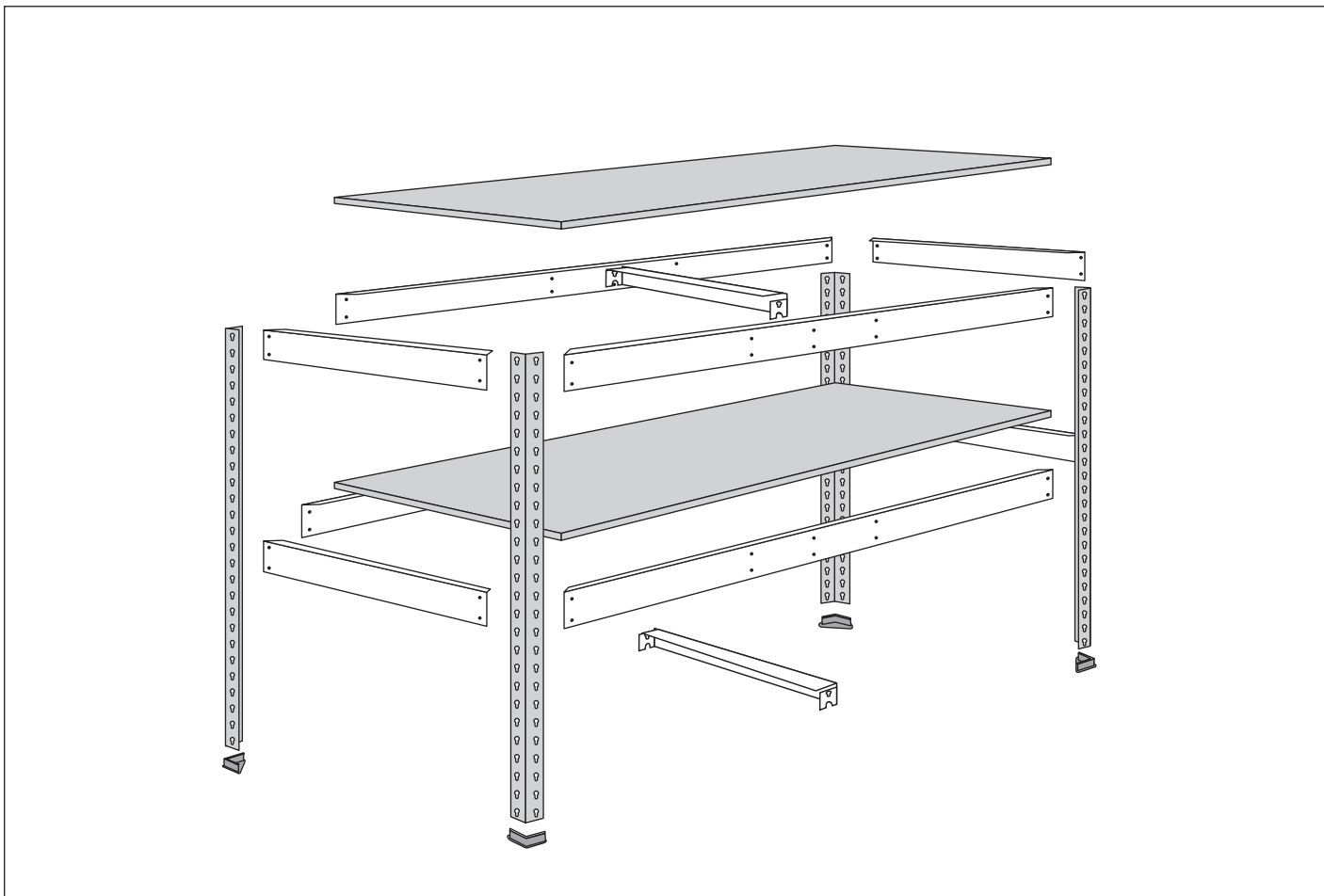
| B (mm) | 1.536 mm | 1.841 mm | 2.146 mm | 2.450 mm |
|--------------------------|----------|----------|----------|----------|
| d = 469 / 621 mm | 640 kg | 610 kg | 577 kg | 545 kg |
| d = 773 / 926 / 1.230 mm | 640 kg | 720 kg | 620 kg | 500 kg |

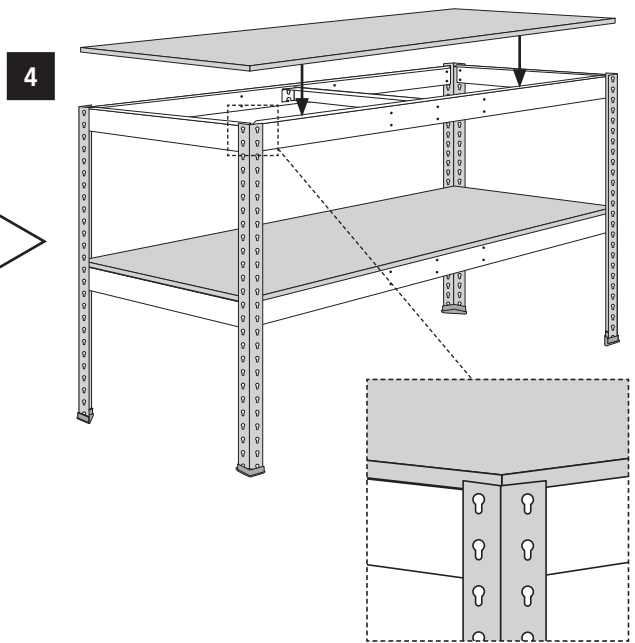
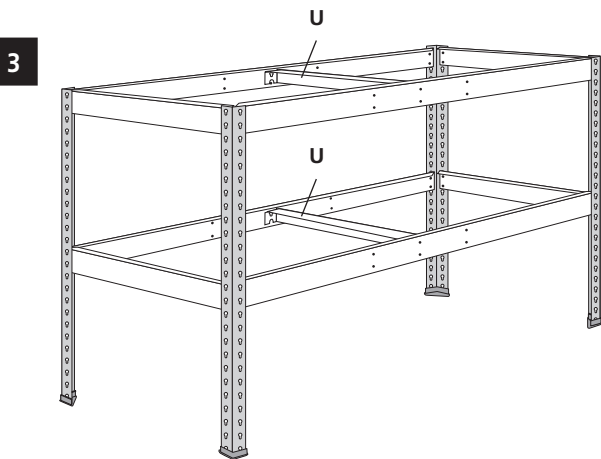
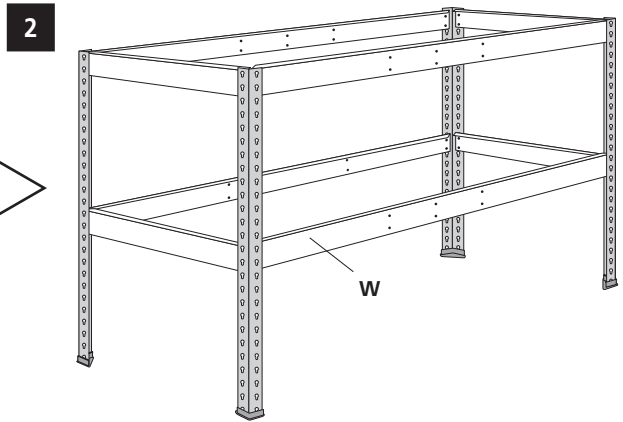
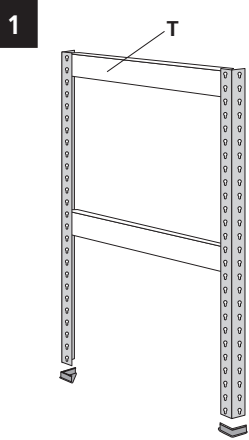
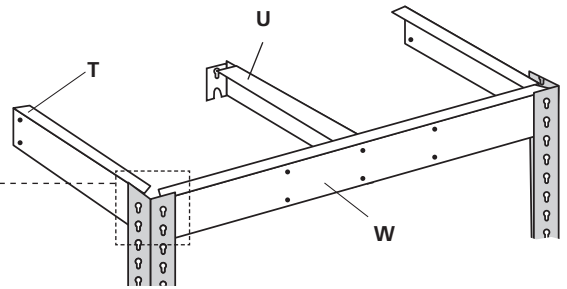
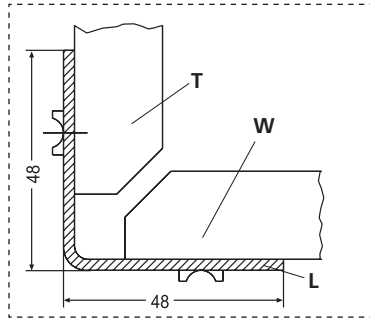
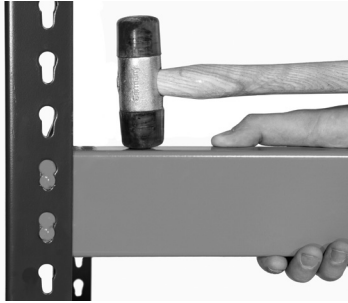
Q max. = kg

| H (mm) | 1.981 mm | 2.438 mm | 3.048 mm |
|---------------|----------|----------|----------|
| Q max.: 3 x L | 2.445 kg | 2.175 kg | --- |
| Q max.: 4 x L | 3.200 kg | 2.800 kg | 2.500 kg |
| Q max.: 5 x L | 3.500 kg | 3.250 kg | 3.000 kg |
| Q max.: 6 x L | 3.900 kg | 3.600 kg | 3.300 kg |
| Q max.: 7 x L | --- | 3.850 kg | 3.675 kg |

Z 1 - A

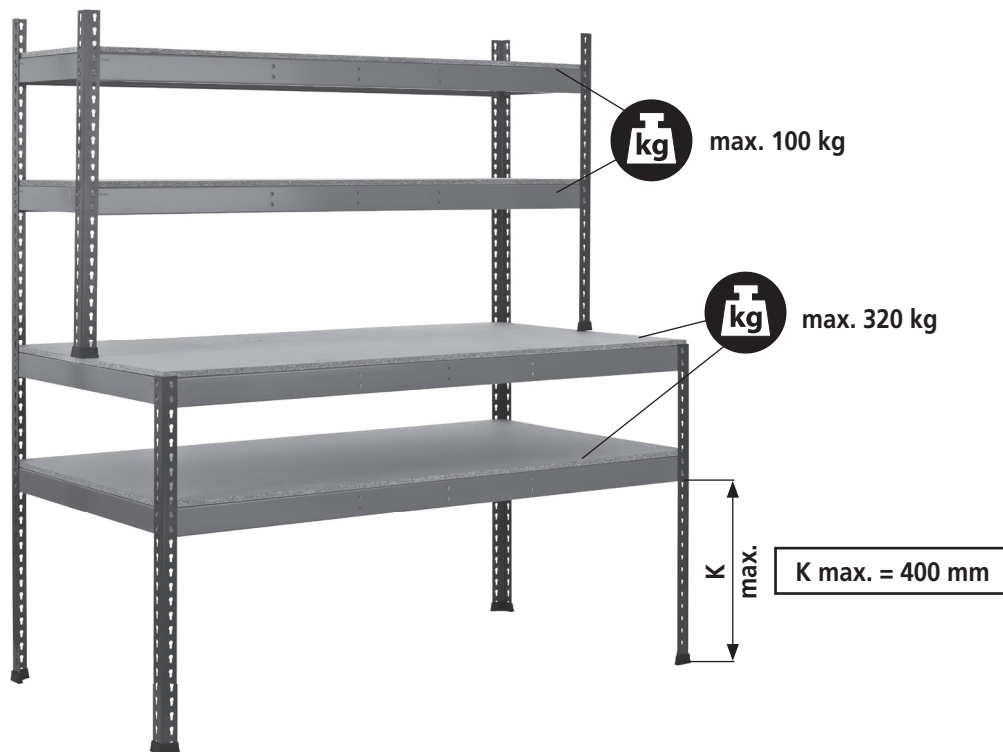
Z 1 - A

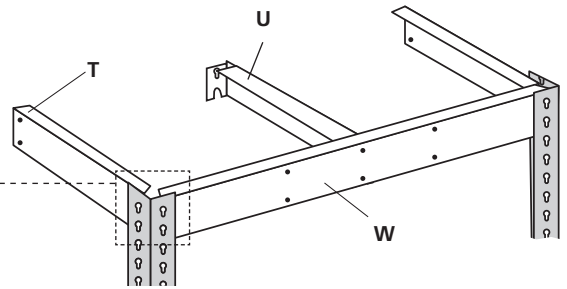
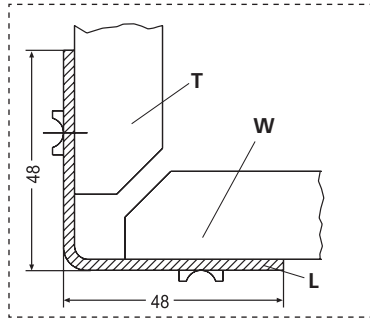
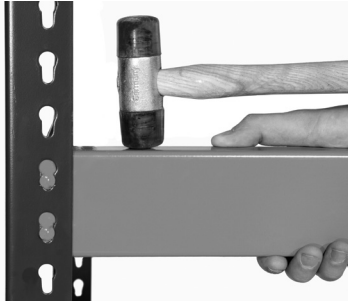




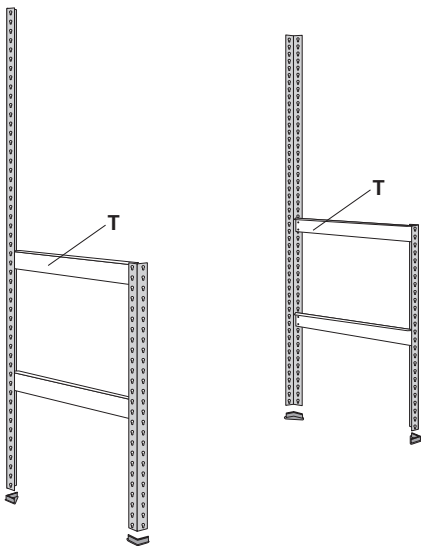
Z 1 - B

Z 1 - B

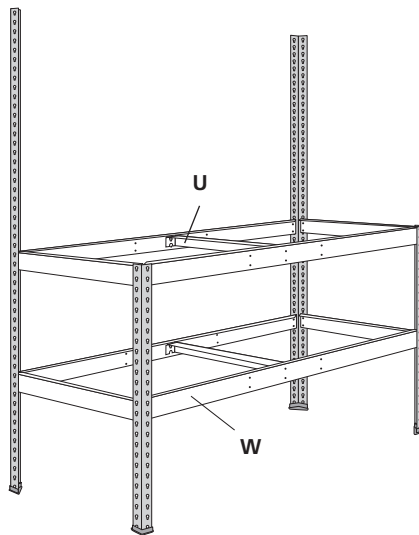




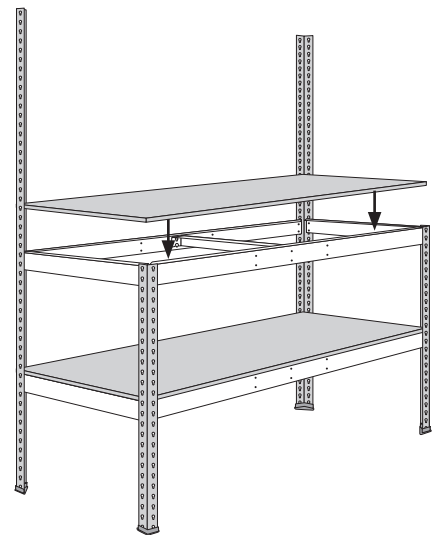
1



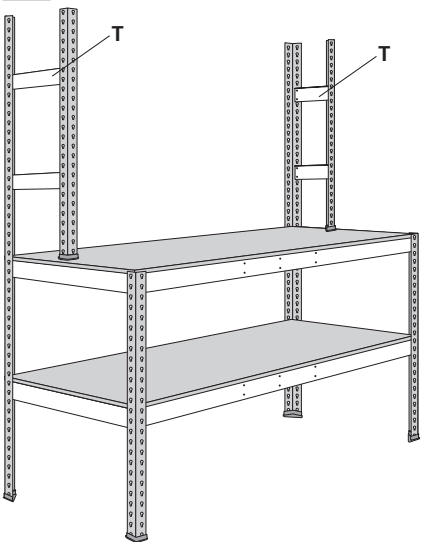
2



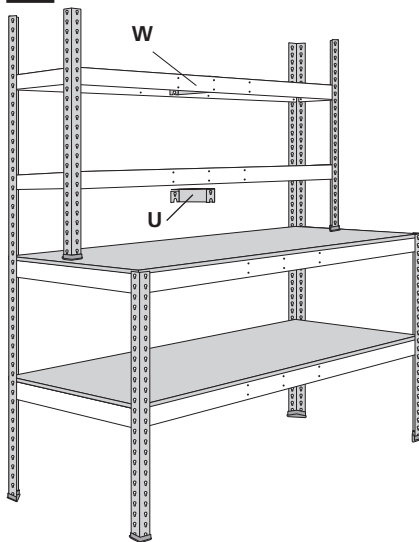
3



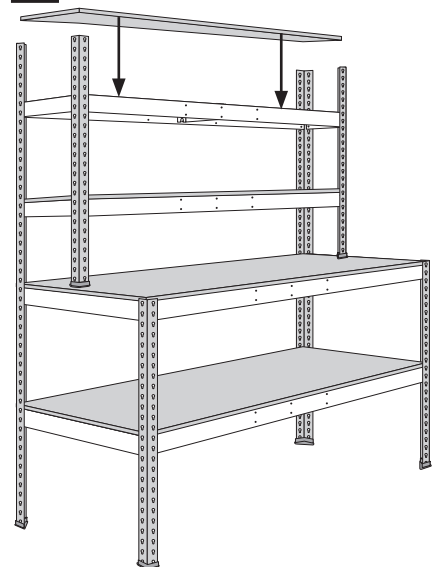
4



5

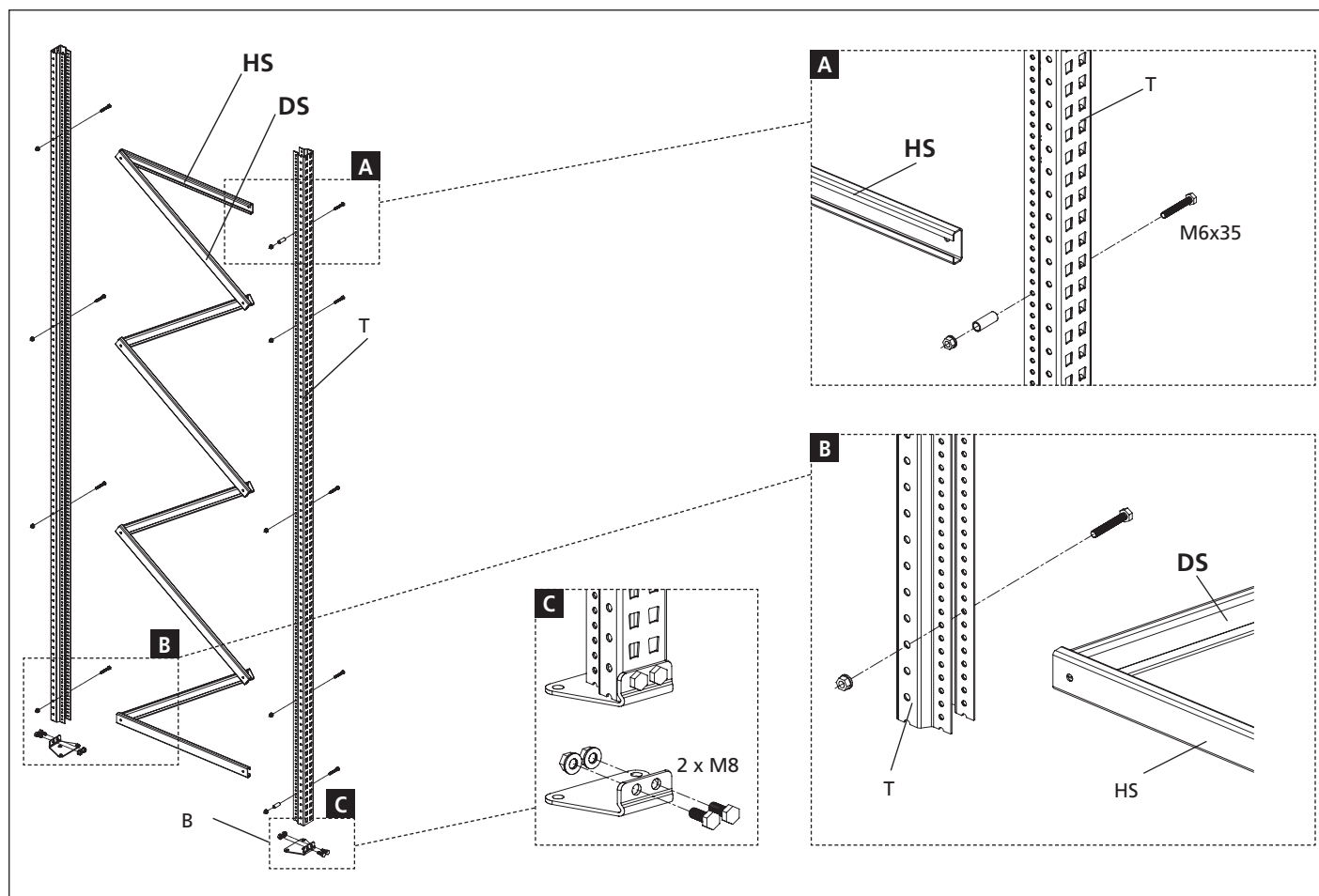


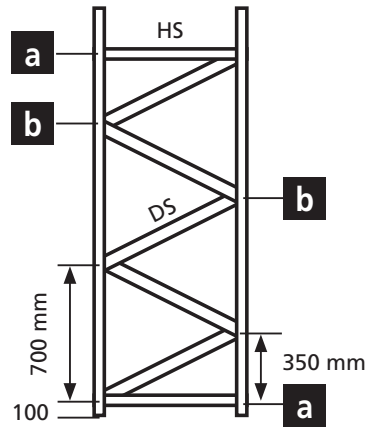
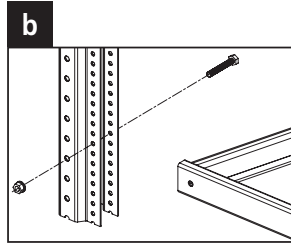
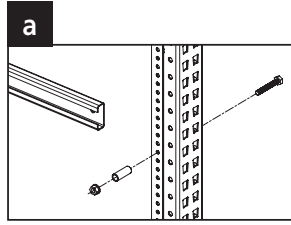
6



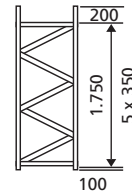
W 100

W 100



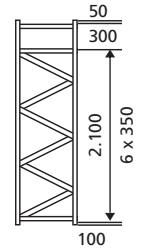


2.000 mm



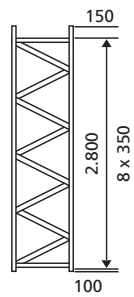
5 x DS 2 x a
2 x HS 6 x b

2.500 mm



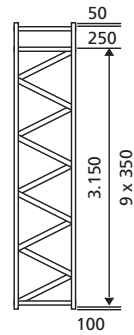
6 x DS 4 x a
3 x HS 7 x b

3.000 mm



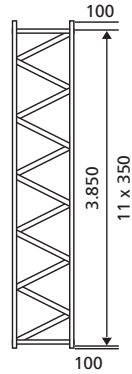
8 x DS 2 x a
2 x HS 9 x b

3.500 mm



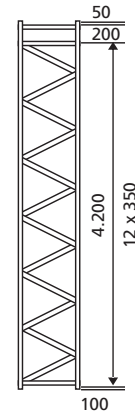
9 x DS 4 x a
3 x HS 10 x b

4.000 mm



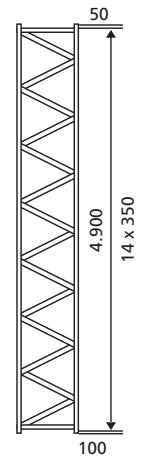
11 x DS 2 x a
2 x HS 12 x b

4.500 mm



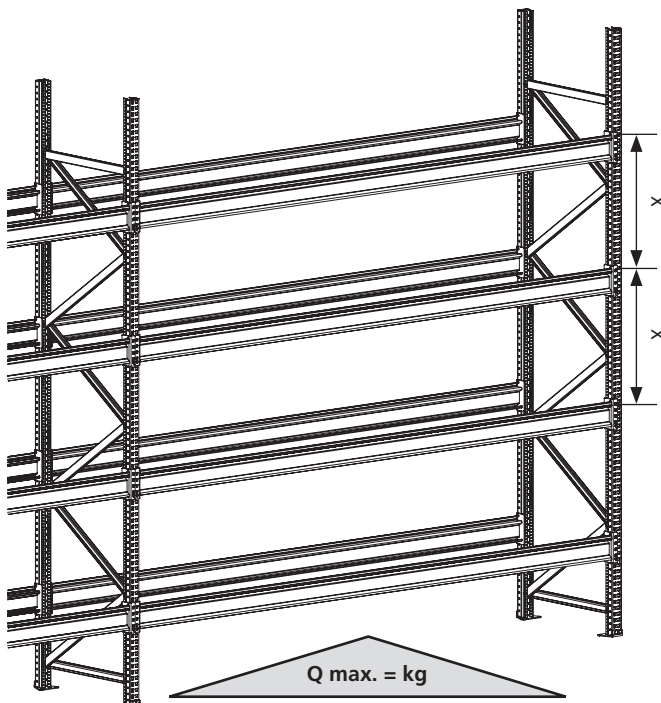
12 x DS 4 x a
3 x HS 13 x b

5.000 mm



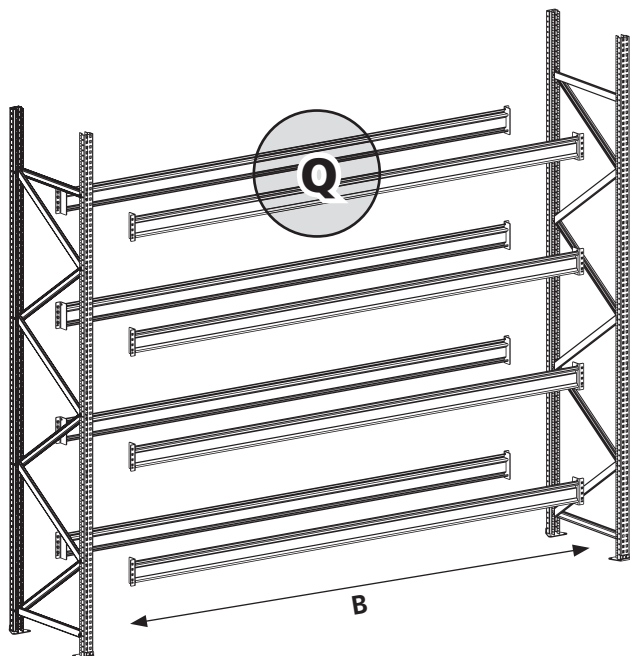
14 x DS 2 x a
2 x HS 15 x b

Q max. (kg)

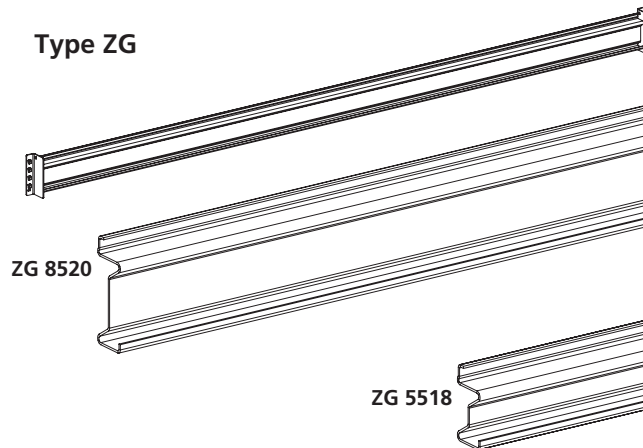


Q max. (kg)

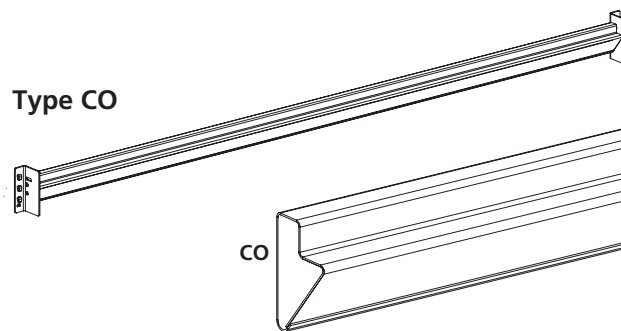
| X (mm) | Q max. (kg) |
|----------|-------------|
| 500 mm | 3.500 kg |
| 600 mm | 3.430 kg |
| 700 mm | 3.350 kg |
| 800 mm | 3.200 kg |
| 900 mm | 3.080 kg |
| 1.000 mm | 3.000 kg |
| 1.100 mm | 2.800 kg |
| 1.200 mm | 2.600 kg |



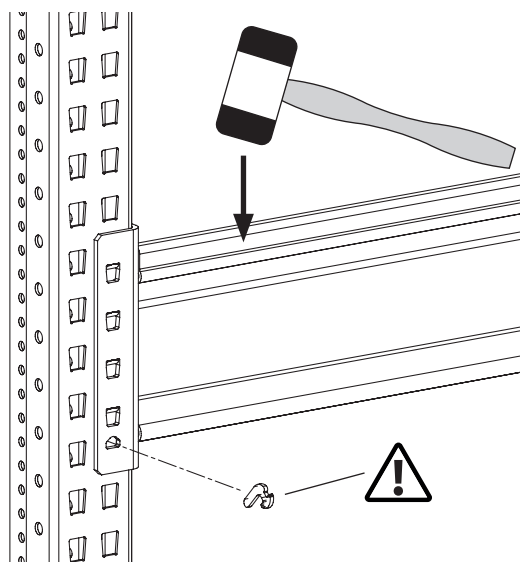
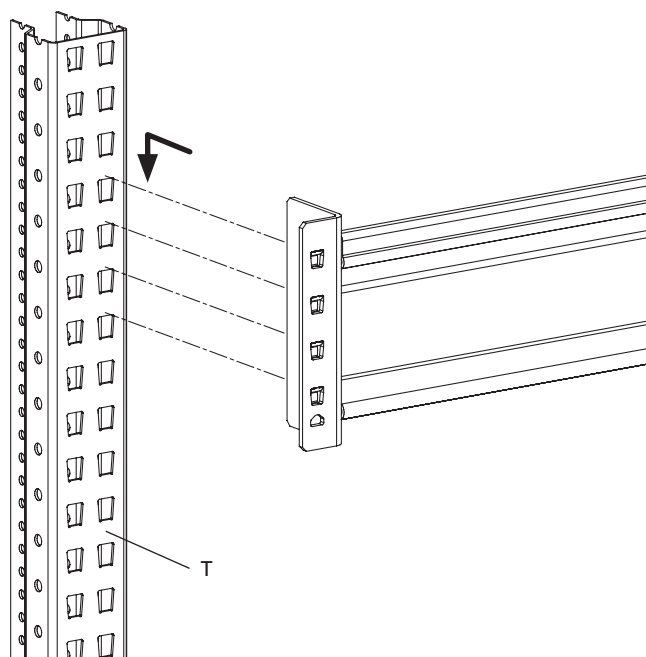
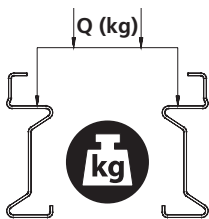
Type ZG

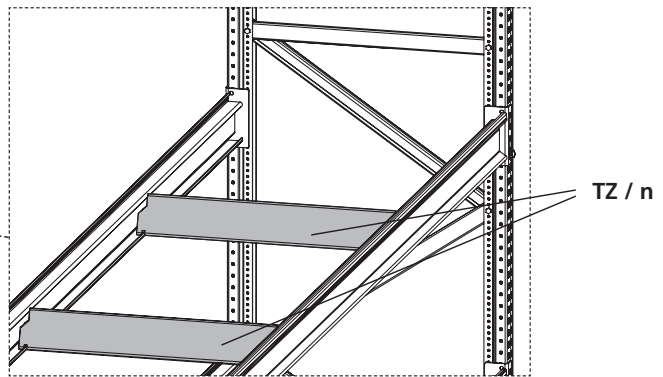
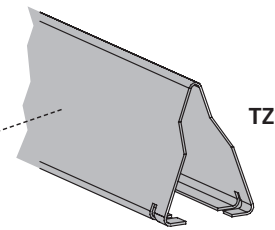
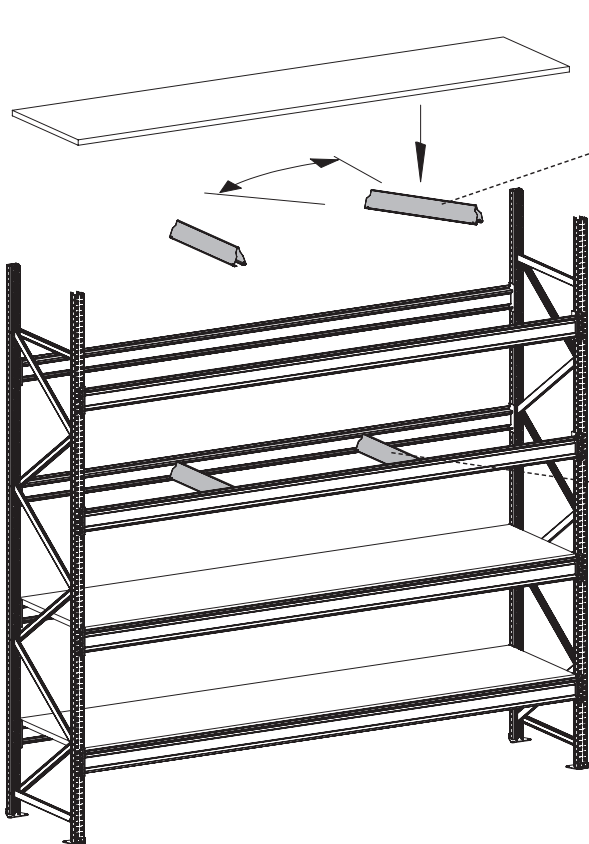
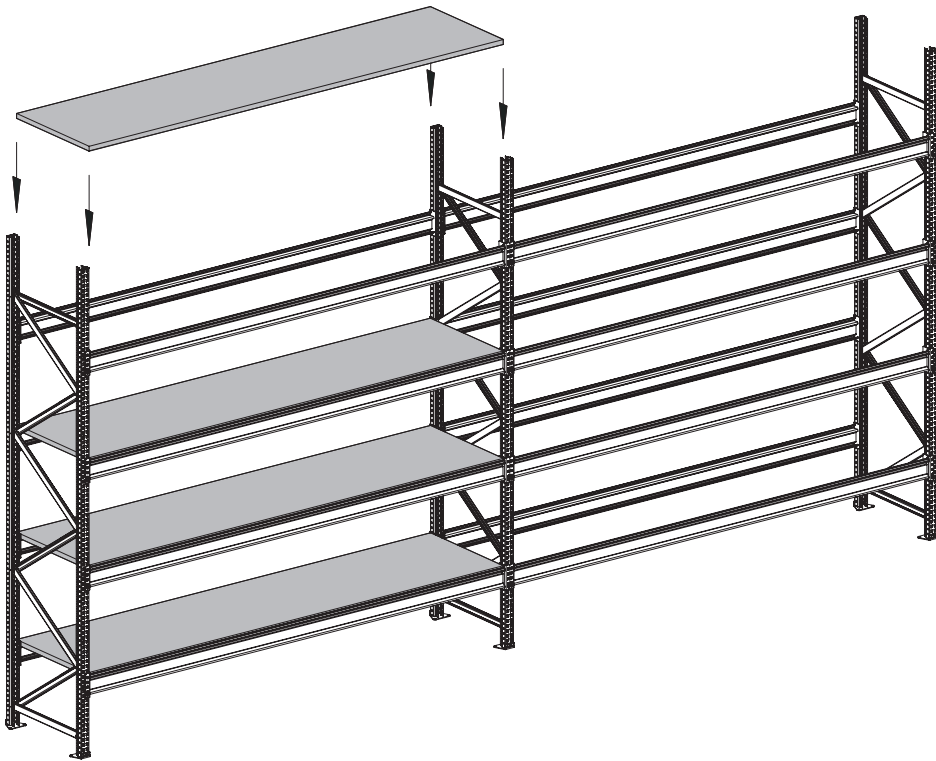


Type CO

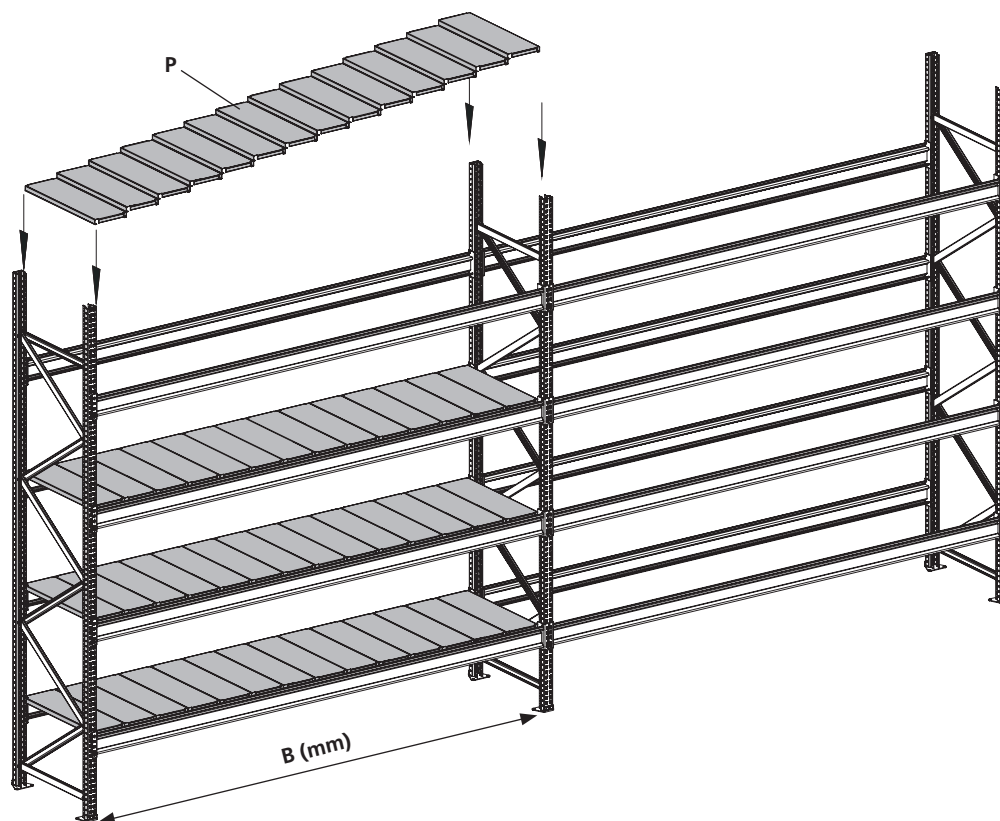


| Type | B (mm) | Q (kg) |
|---------|----------|----------|
| ZG 5518 | 1.785 mm | 755 kg |
| ZG 8520 | 2.410 mm | 1.595 kg |
| ZG 8520 | 2.500 mm | 1.320 kg |
| CO | 1.250 mm | 538 kg |
| CO | 1.605 mm | 419 kg |





| TZ | | |
|----------|-------|----------|
| d (mm) | Type | TZ / n = |
| 600 mm | --- | --- |
| 800 mm | TZ 55 | 2 |
| 800 mm | TZ 85 | 2 |
| 1.000 mm | TZ 55 | 2 |
| 1.000 mm | TZ 85 | 3 |
| 1.200 mm | TZ 55 | 3 |
| 1.200 mm | TZ 85 | 3 |



| B (mm) | P / n = |
|----------|---------|
| 1.785 mm | 10 |
| 2.140 mm | 12 |
| 2.500 mm | 14 |

