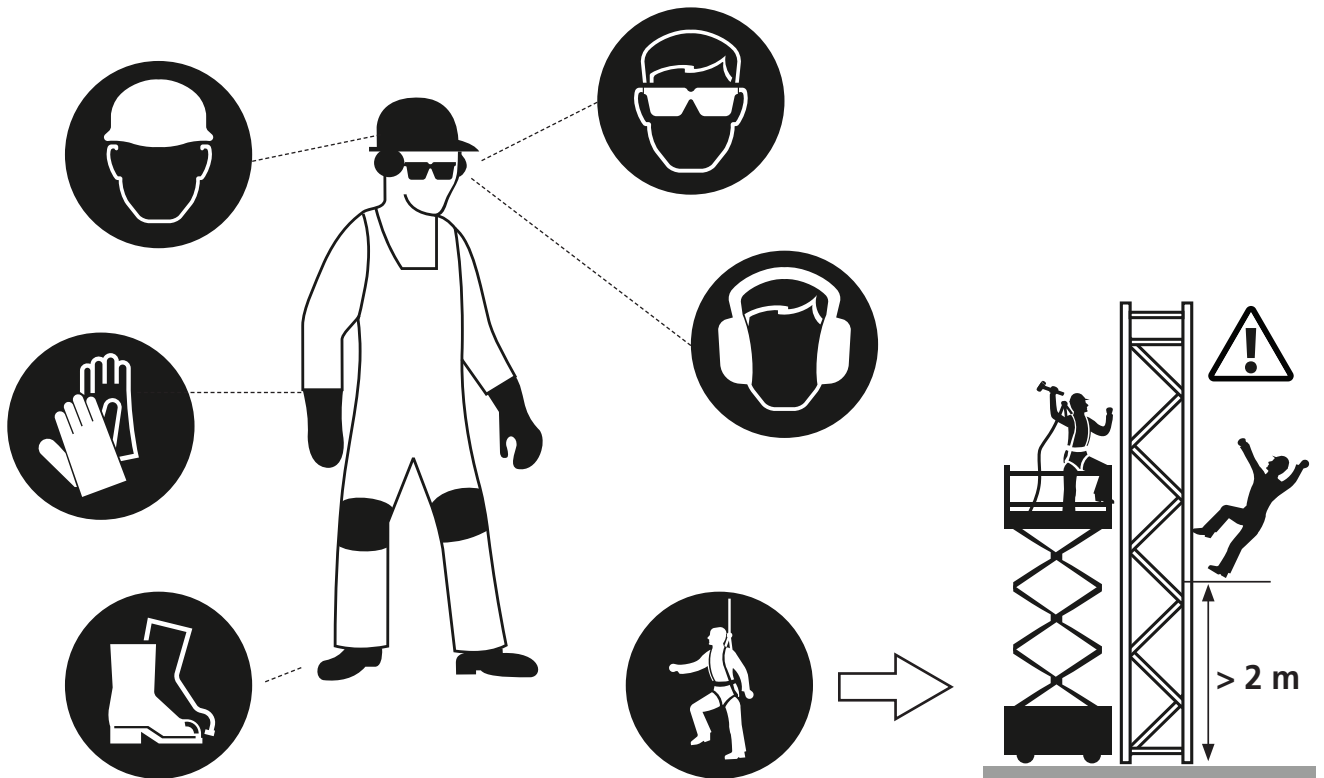
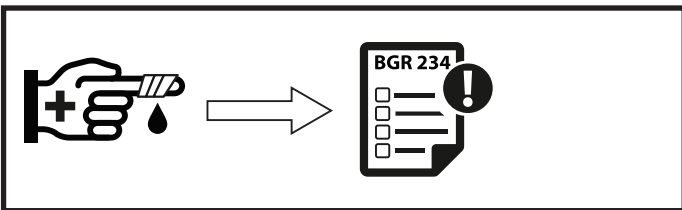
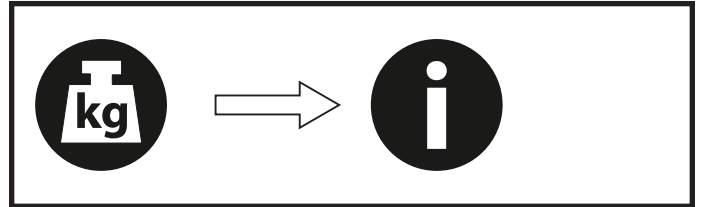
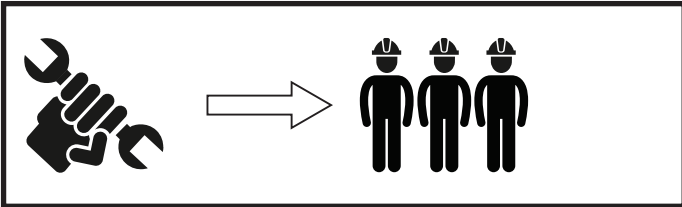
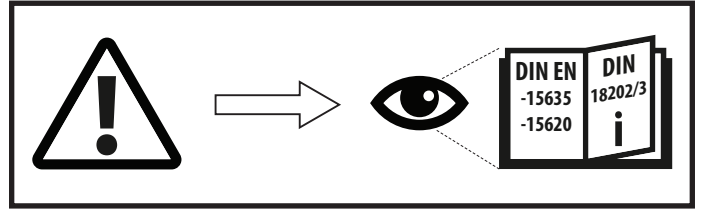
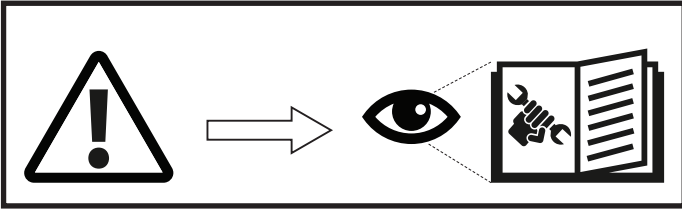


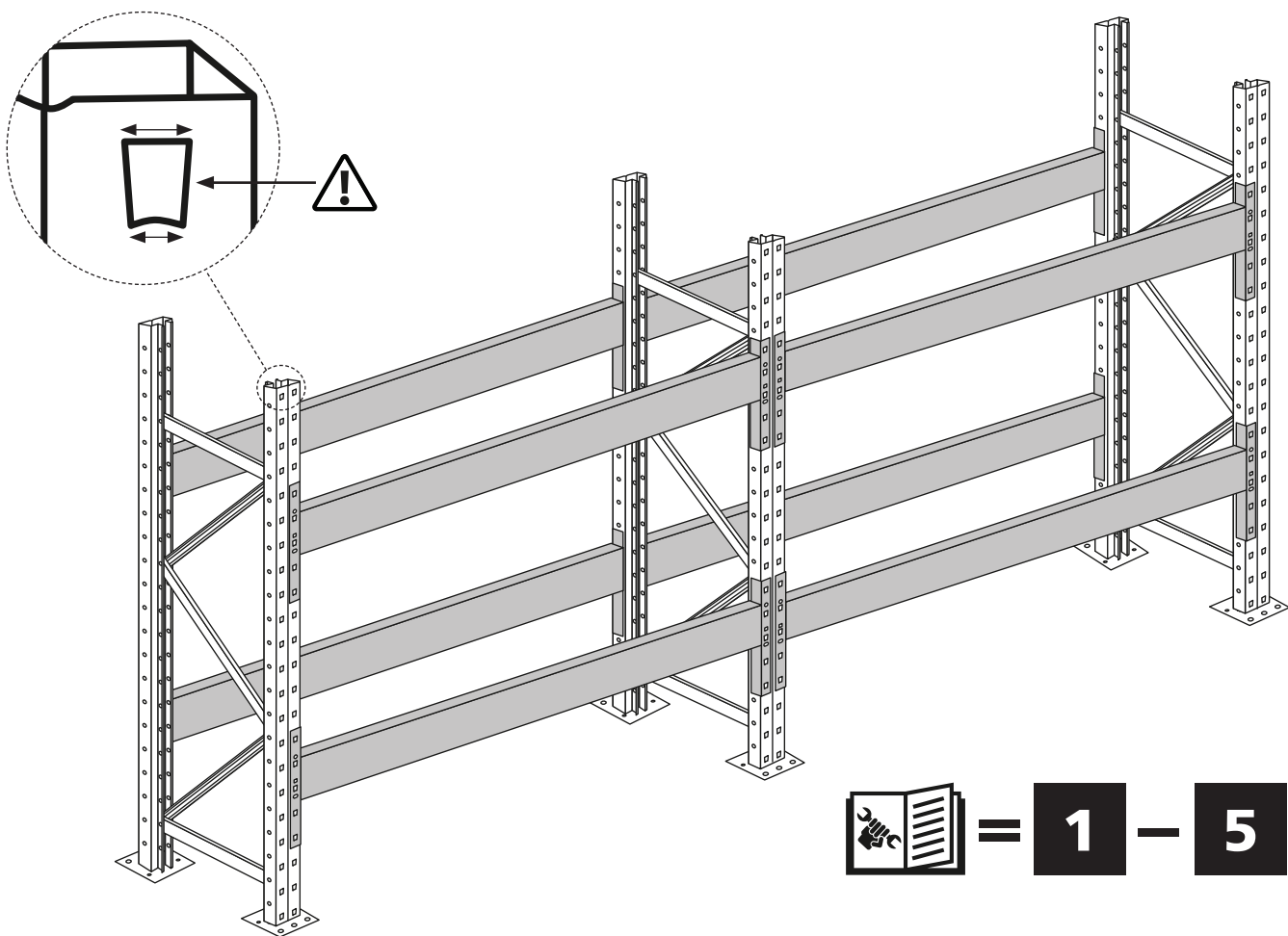
## Palettenregale - Montage- und Bedienungsanleitung

Art.-Nr. 13048-OT

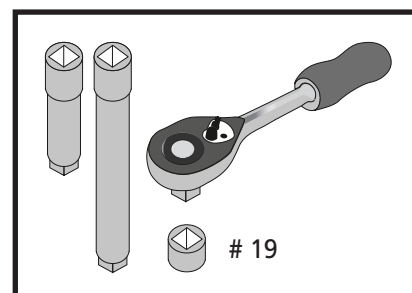
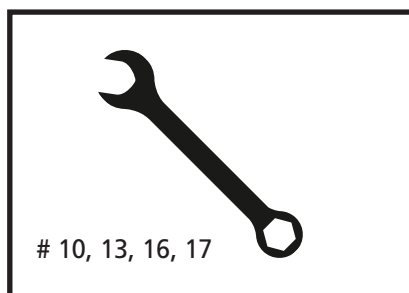
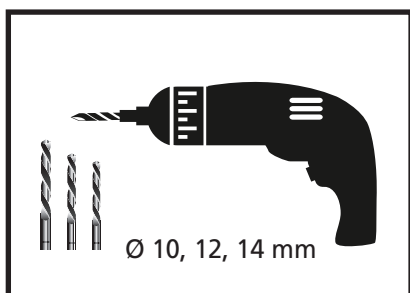
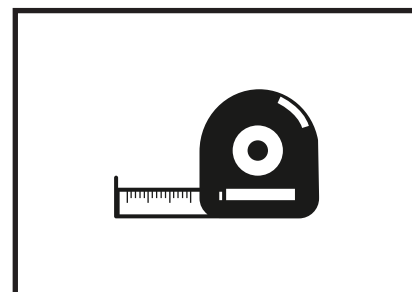
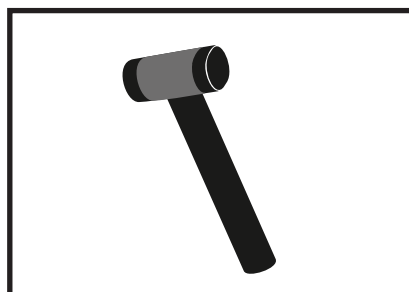
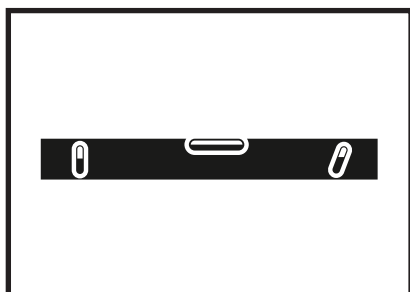
GB Pallet racks - **Assembly and operating instructions**  
FR Rayonnage à palettes - **Instructions de montage et de service**  
NL Palletstelling - **Opbouw- en Bedieningshandleiding**  
ES Estantería para palets - **Instrucciones de montaje y uso**  
IT Scaffale porta pallett - **Istruzioni per il montaggio e l'uso**  
PT Porta paletes - **Manual de montagem e instruções**  
PL Regał paletowy - **Instrukcja montażu i eksploatacji**  
CZ Paletový regál - **Navod k montáži a obsluze**  
HU Raklapos állványok - **Felepítési es hasznalatiutasitas**  
RO Stelaj pentru paletj - **Instructiuni de asamblare si utilizare**

DK Pallereol - **Opbygnings- og Betjeningsmanuel**  
NO Pallereoler - **Montasje- og Betjeningsveileding**  
SE Pallställ - **Monterings- och Bruksanvisning**  
RU Паллетный стеллаж - **Монтаж и Инструкция по эксплуатации**  
TR Palet rafları - **Montaj ya kullanma kılavuzu**  
SI Paletni regali - **Namestitev in Operating Manual**  
HR Stalci paleta - **Instalacija i Operativni Priručnik**  
SK Paletové regály - **Návod na inštaláciu a obsluhu**  
JP パレトラック - **設置・操作マニュアル**  
CN 托盤架 - **安裝和操作手冊**



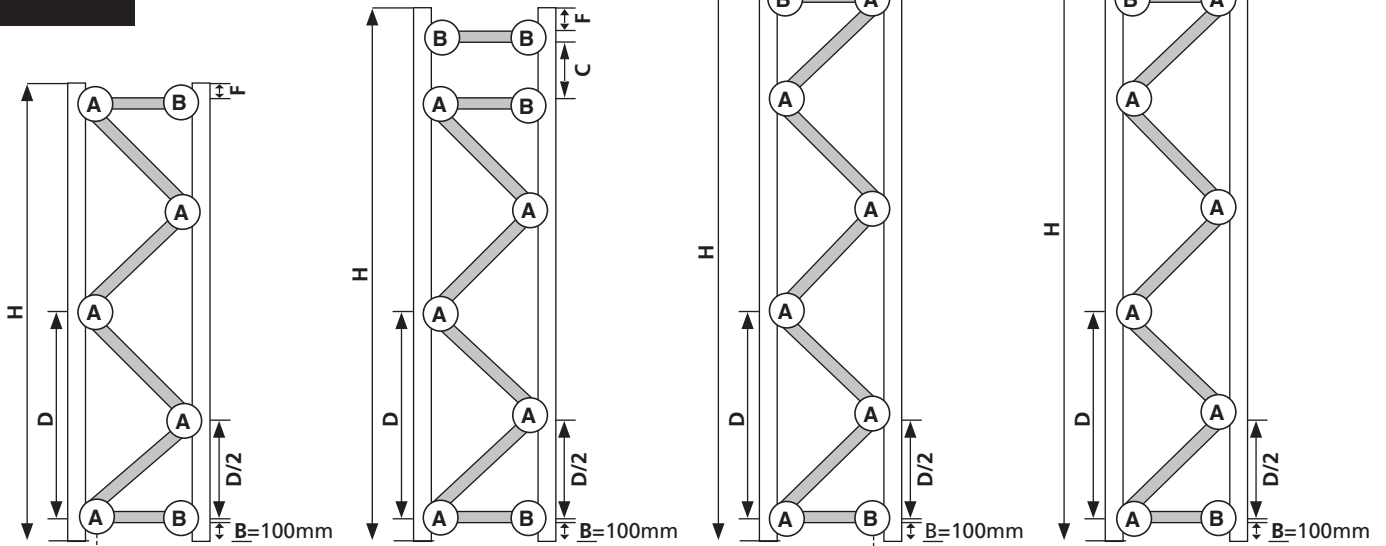


= **1 - 5**





1

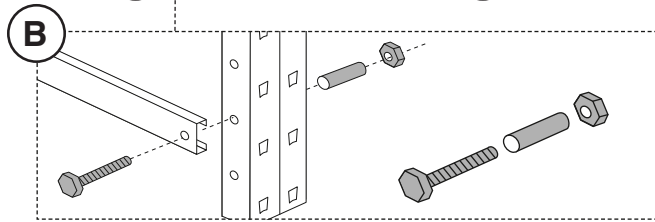
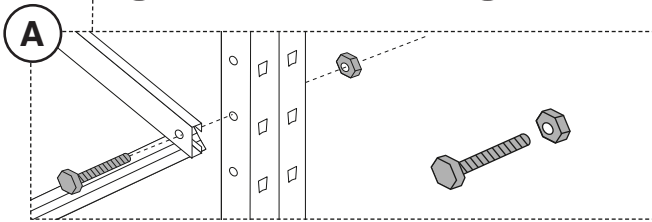


1

2

3

4



Typ S610-N / S620-N / S625-N

H mm	1	2	3	4			(B)	(A)	C mm	F mm
2000			●		3	2	2	4	0	100
2500				●	3	3	4	4	550	50
3000		●			4	3	4	5	450	50
3500				●	5	3	4	6	350	50
4000		●			6	3	4	7	250	50
4500			●		7	2	2	8	0	200
5000	●				8	2	2	9	0	100
5500		●			8	3	4	9	550	50
6000				●	9	3	4	10	450	50
6500		●			10	3	4	11	350	50
7000				●	11	3	4	12	250	50
7500	●				12	2	2	13	0	200
8000			●		13	2	2	14	0	100
8500				●	13	3	4	14	550	50
9000		●			14	3	4	15	450	50
9500				●	15	3	4	16	350	50
10000		●			16	3	4	17	250	50
10500			●		17	2	2	18	0	200
11000	●				18	2	2	19	0	100
11500		●			18	3	4	19	550	50
12000				●	19	3	4	20	450	50

D mm	D/2 mm
1200	600



Typ S635-N

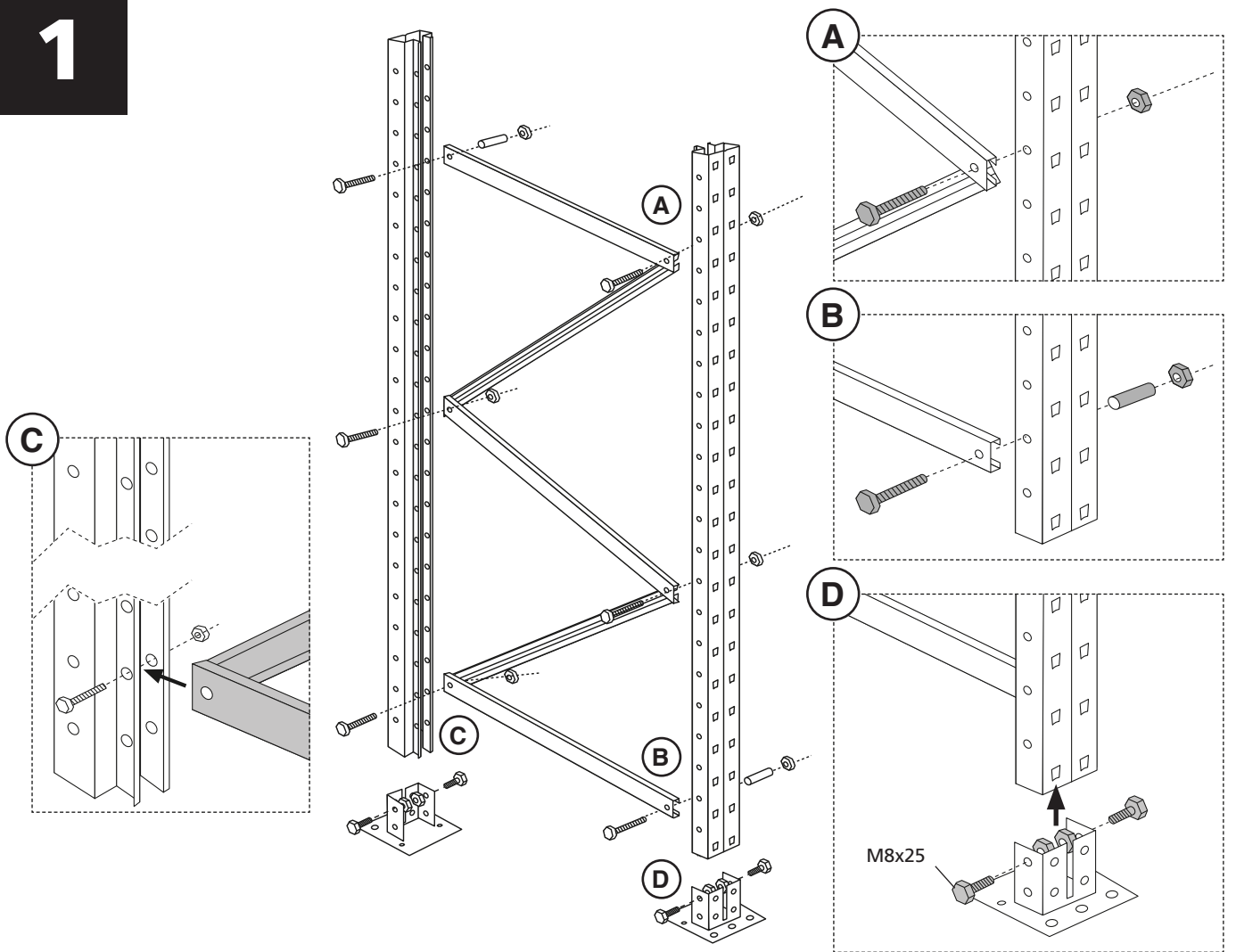
H mm	1	2	3	4			(B)	(A)	C mm	F mm
2000		●			2	3	4	3	450	50
2500				●	3	3	4	4	250	50
3000	●				4	2	2	5	0	100
3500		●			4	3	4	5	550	50
4000				●	5	3	4	6	350	50
4500	●				6	2	2	7	0	200
5000		●			6	3	4	7	650	50
5500				●	7	3	4	8	450	50
6000		●			8	3	4	9	250	50
6500			●		9	2	2	10	0	100
7000				●	9	3	4	10	550	50
7500		●			10	3	4	11	350	50
8000			●		11	2	2	12	0	200
8500				●	11	3	4	12	650	50
9000		●			12	3	4	13	450	50
9500				●	13	3	4	14	250	50
10000	●				14	2	2	15	0	100
10500		●			14	3	4	15	550	50
11000				●	15	3	4	16	350	50
11500	●				16	2	2	17	0	200
12000		●			16	3	4	17	650	50

D mm	D/2 mm
1400	700

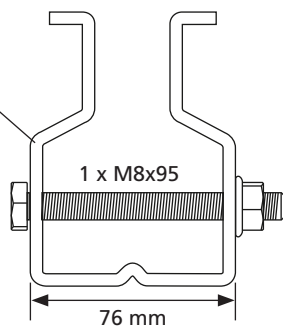
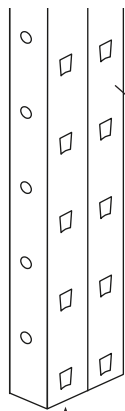




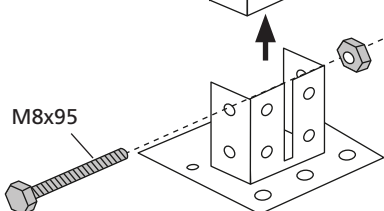
1



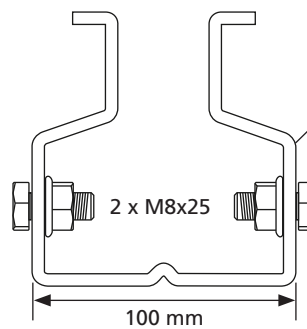
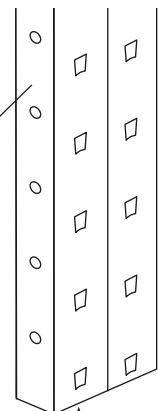
S610-N / S620-N



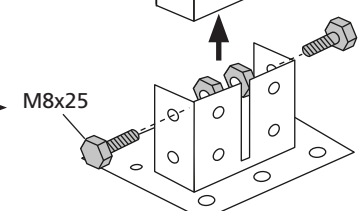
M8x95



S625-N / S635-N



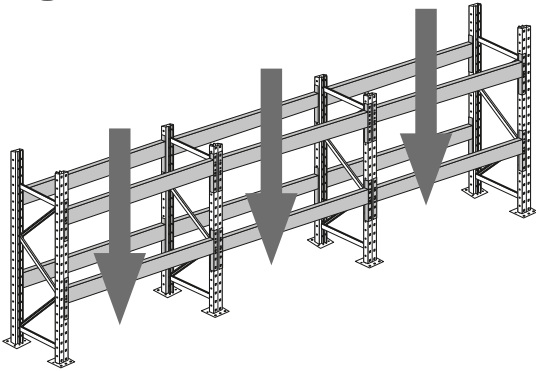
M8x25



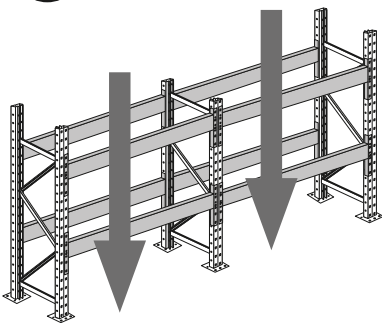
# 2



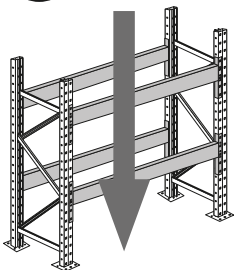
3 x + > = 100 %



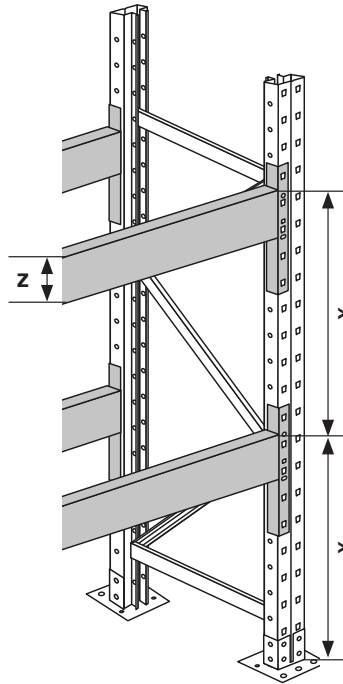
2 x = 90 %



1 x = 80 %



# 2.1



$Y = X \pm 20 \%$

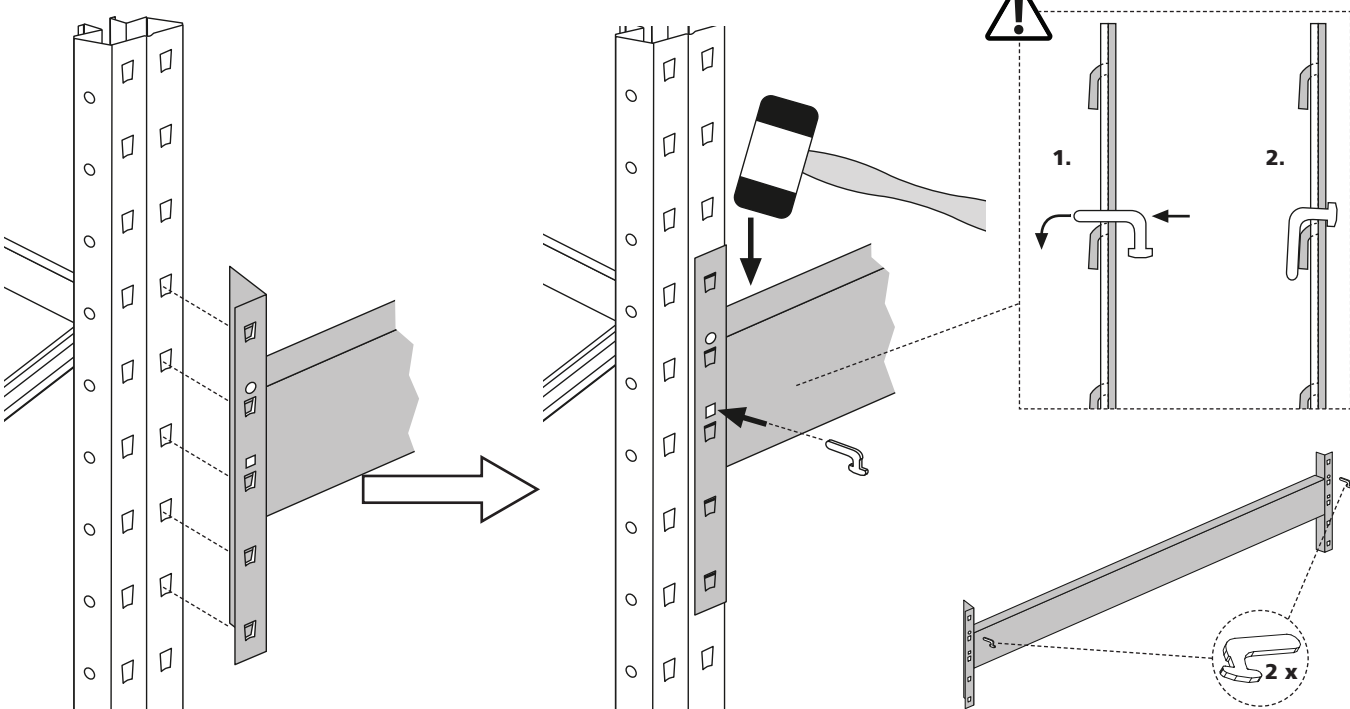
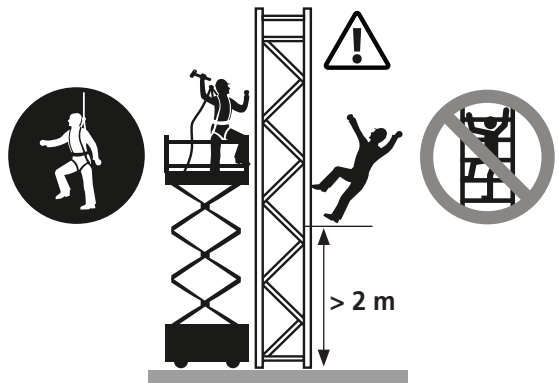
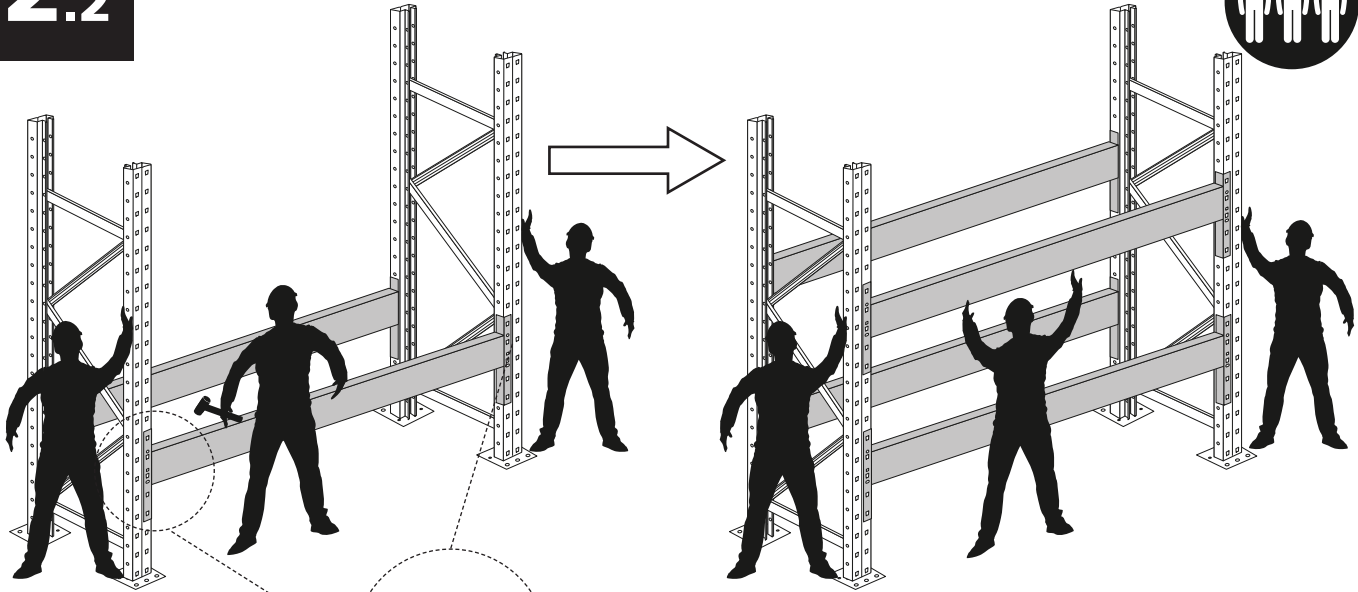
Z < 80 x 40 mm				
X mm	Typ kg			
	S610-N	S620-N	S625-N	S635-N
1.000	8.114	10.222	11.695	12.857
1.100	7.585	9.756	11.138	12.246
1.200	7.086	9.121	10.545	11.595
1.300	6.615	8.454	9.988	10.982
1.400	6.174	7.830	9.484	10.429
1.500	5.761	7.280	9.021	9.920
1.600	5.378	6.807	8.576	9.431
1.700	5.024	6.396	8.129	8.940
1.800	4.699	6.027	7.763	8.440
1.900	4.404	5.680	7.217	7.939
2.000	4.138	5.342	6.787	7.466
2.100	3.900	5.012	6.415	7.059
2.200	3.692	4.695	6.135	6.752
2.300	3.513	4.410	5.958	6.559
2.400	3.364	4.176	5.857	6.450
2.500	3.243	4.013	5.738	6.321
2.600	3.152	3.929	5.406	5.957

Z < 100 x 40 mm				
X mm	Typ kg			
	S610-N	S620-N	S625-N	S635-N
1.000	8.733	11.123	13.057	14.357
1.100	8.689	11.066	12.793	14.066
1.200	8.391	10.687	12.377	13.609
1.300	7.974	10.157	11.902	13.086
1.400	7.520	9.580	11.414	12.550
1.500	7.073	9.010	10.933	12.021
1.600	6.649	8.469	10.462	11.503
1.700	6.250	7.960	9.996	10.990
1.800	5.873	7.479	9.531	10.479
1.900	5.515	7.023	9.070	9.972
2.000	5.177	6.594	8.620	9.478
2.100	4.865	6.198	8.196	9.012
2.200	4.587	5.845	7.814	8.591
2.300	4.349	5.543	7.484	8.229
2.400	4.149	5.288	7.205	7.921
2.500	3.965	5.055	6.946	7.636
2.600	3.748	4.778	6.638	7.298

Z > 100 x 40 mm				
X mm	Typ kg			
	S610-N	S620-N	S625-N	S635-N
1.000	9.184	11.699	13.673	15.040
1.100	9.143	11.647	13.639	14.993
1.200	9.002	11.468	13.424	14.752
1.300	8.811	11.225	13.145	14.448
1.400	8.586	10.940	12.853	14.132
1.500	8.329	10.612	12.551	13.808
1.600	8.032	10.234	12.225	13.456
1.700	7.690	9.800	11.858	13.057
1.800	7.306	9.311	11.444	12.602
1.900	6.888	8.780	10.989	12.101
2.000	6.456	8.230	10.520	11.583
2.100	6.034	7.693	10.070	11.087
2.200	5.646	7.201	9.675	10.654
2.300	5.310	6.773	9.349	10.301
2.400	5.022	6.407	9.070	10.003
2.500	4.748	6.059	8.742	9.650
2.600	4.402	5.620	8.170	9.016

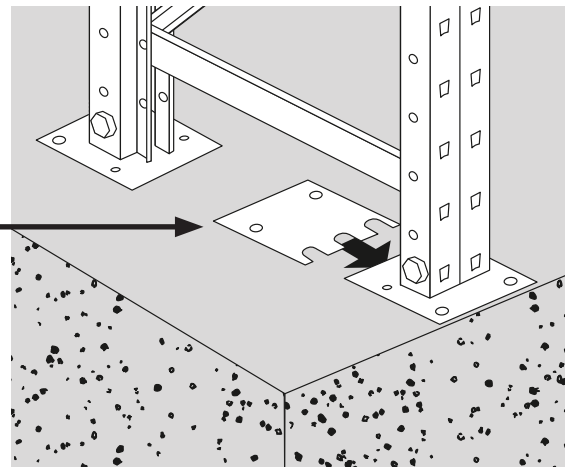
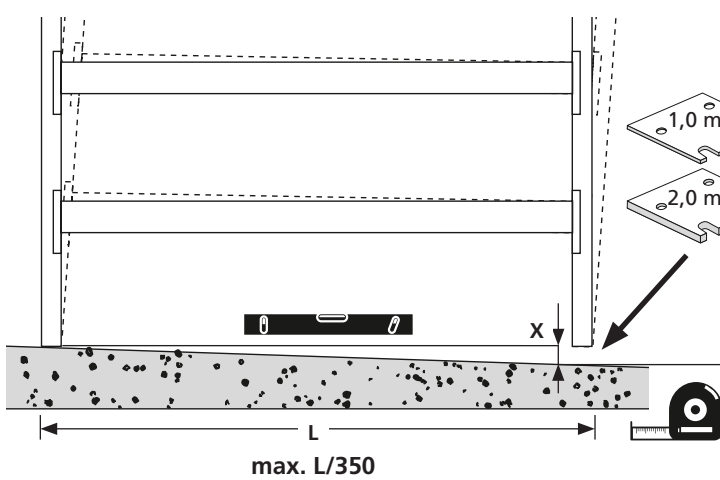
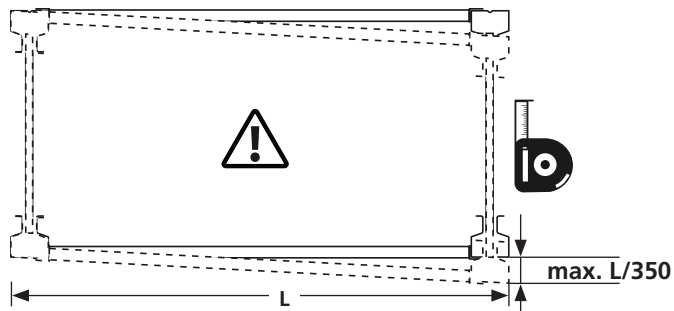
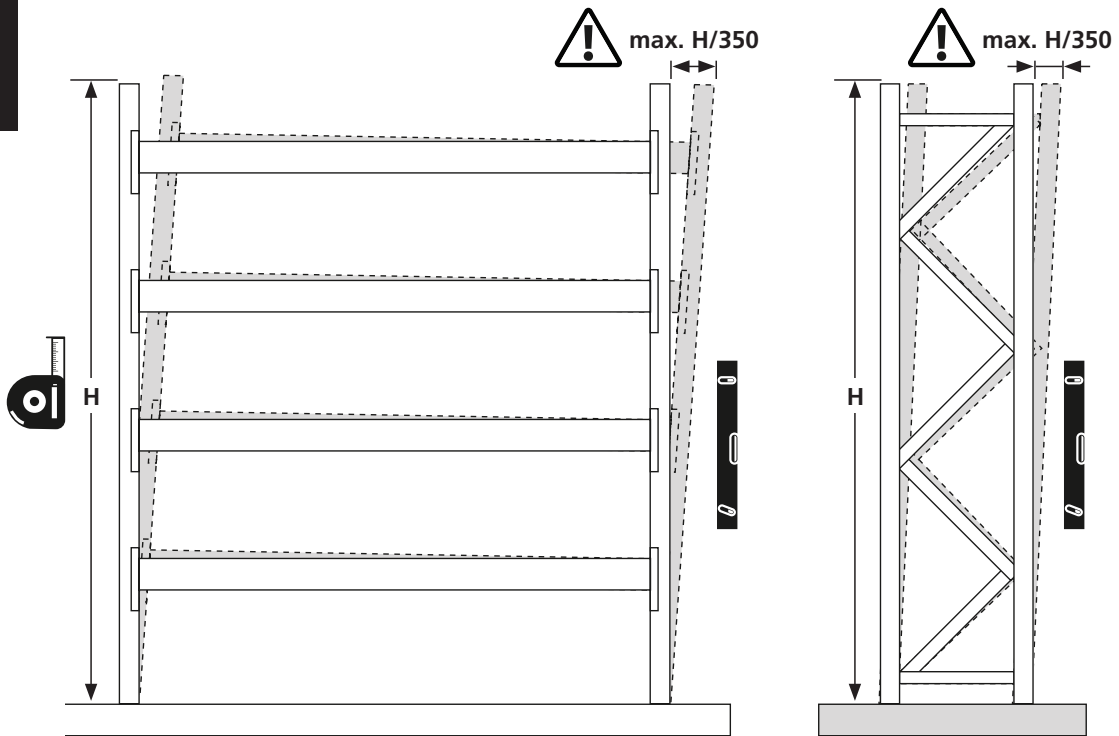


# 2.2



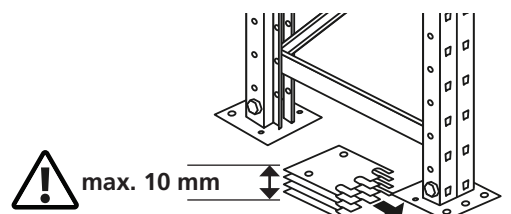


3

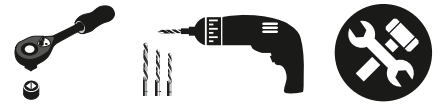


L m	X mm
< 1,0	max. 4
> 1,0 - 4,0	max. 10
> 4,0 - 10,0	max. 12
> 10,0 - 15,0	max. 15

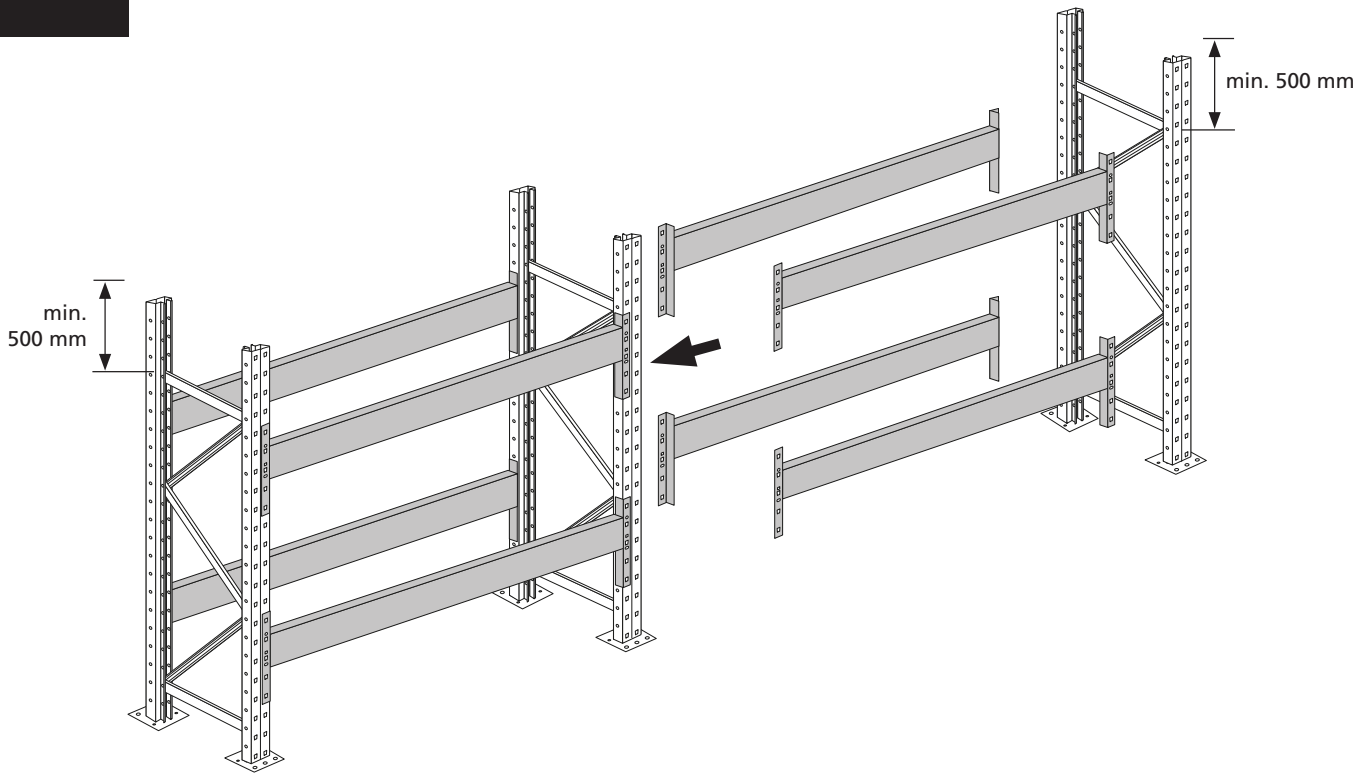
DIN 18202/3



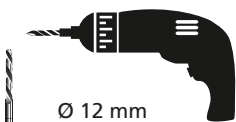
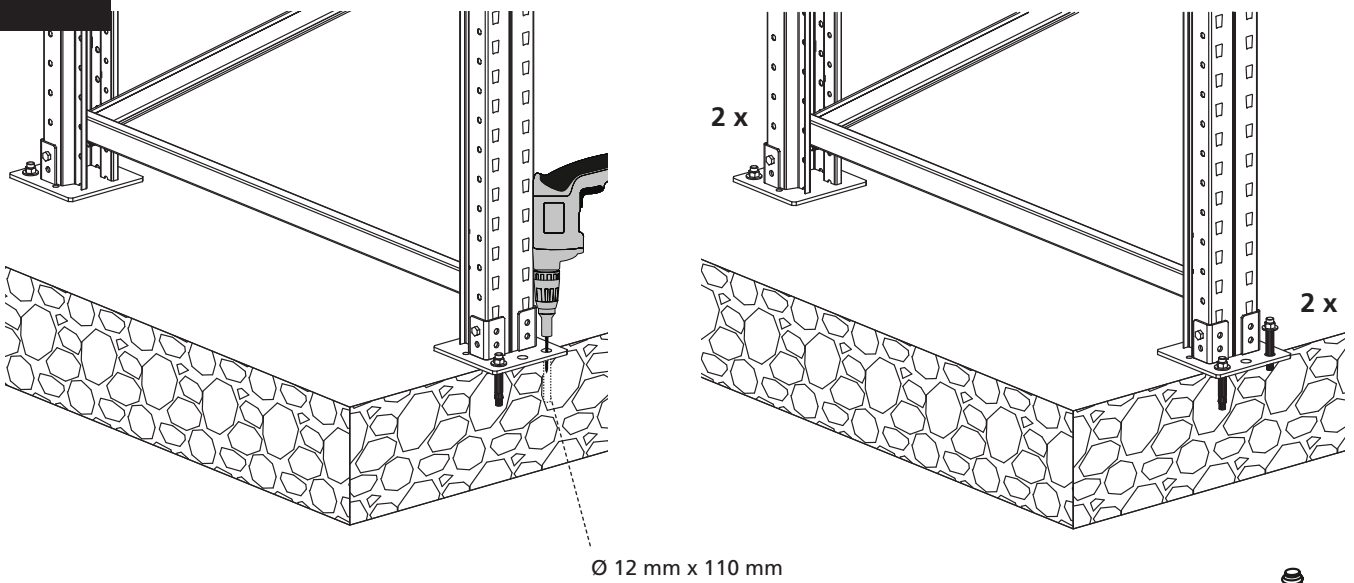




4

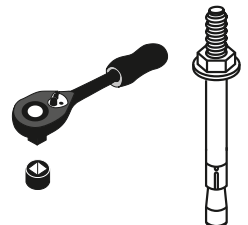
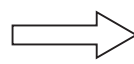


5



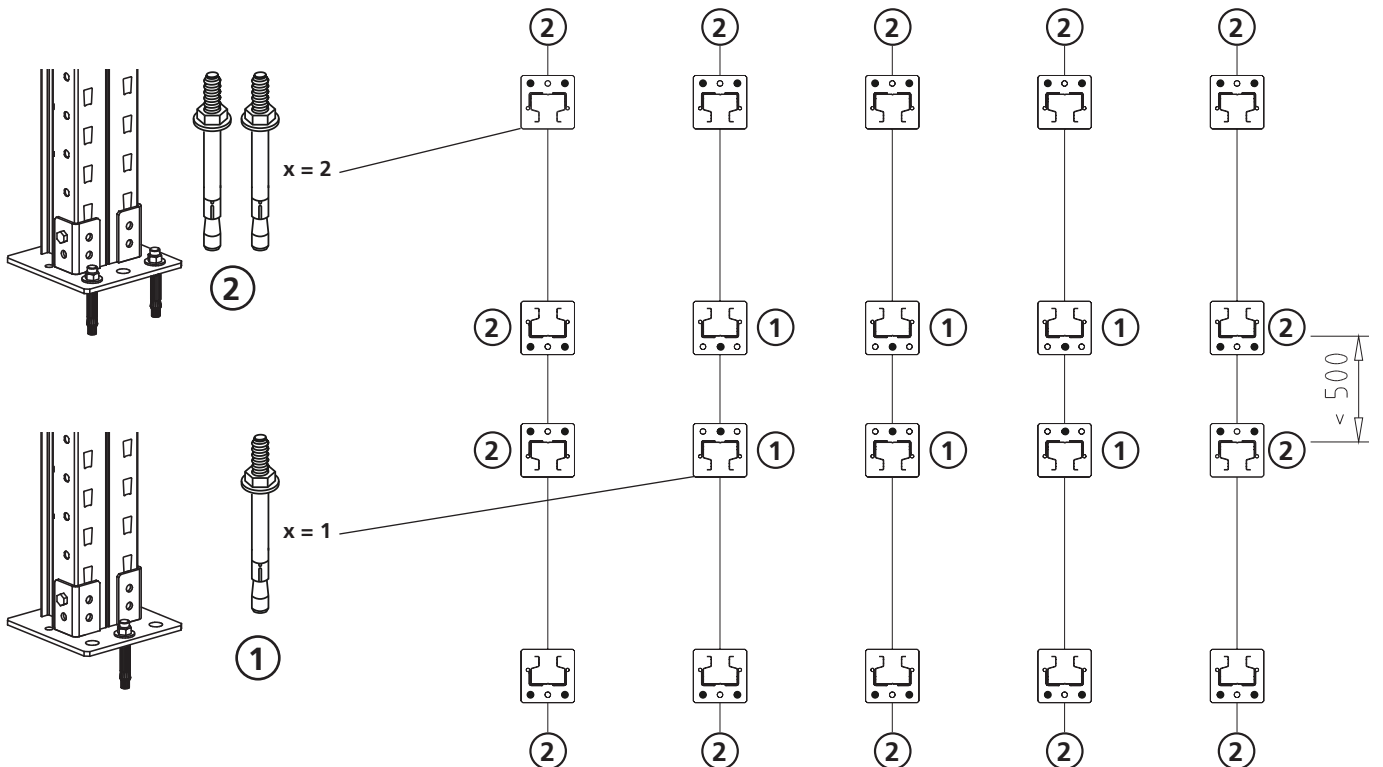
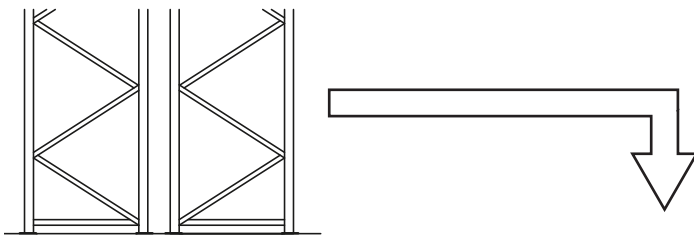
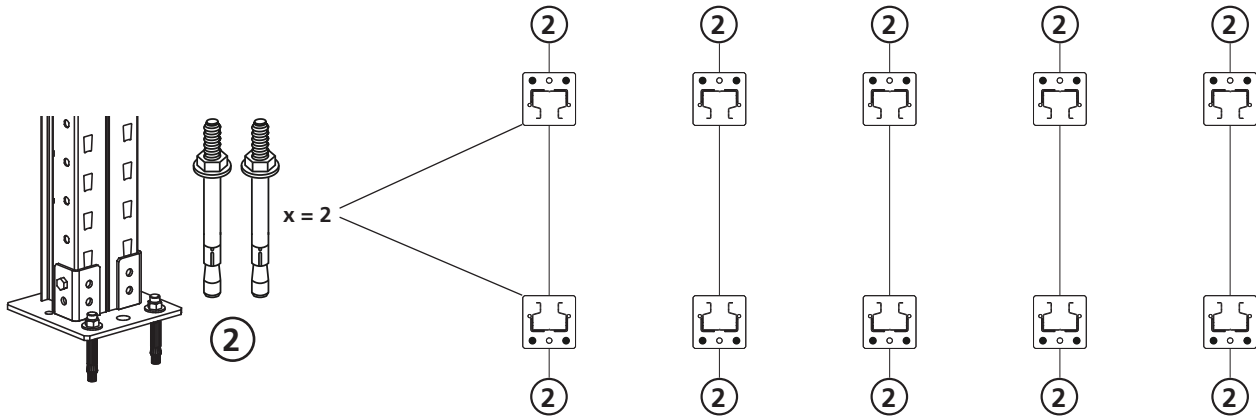
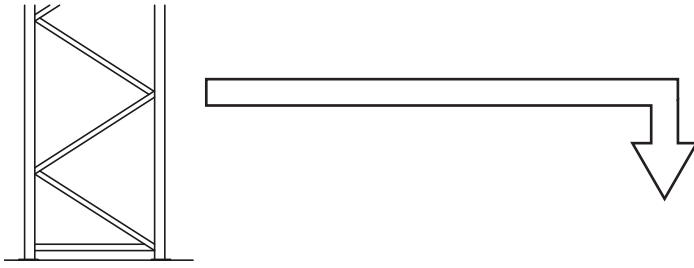
Ø 12 mm

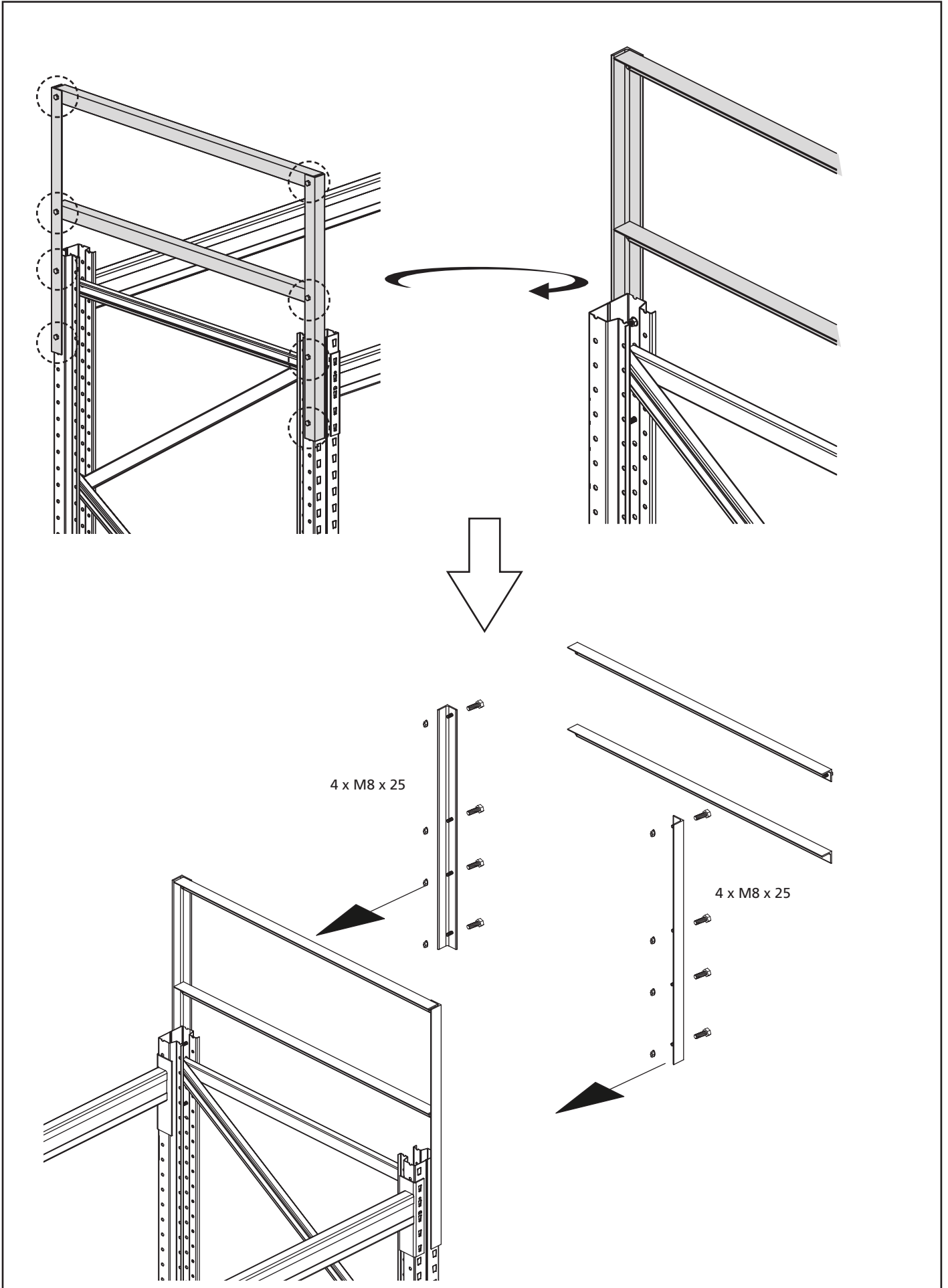
5.1

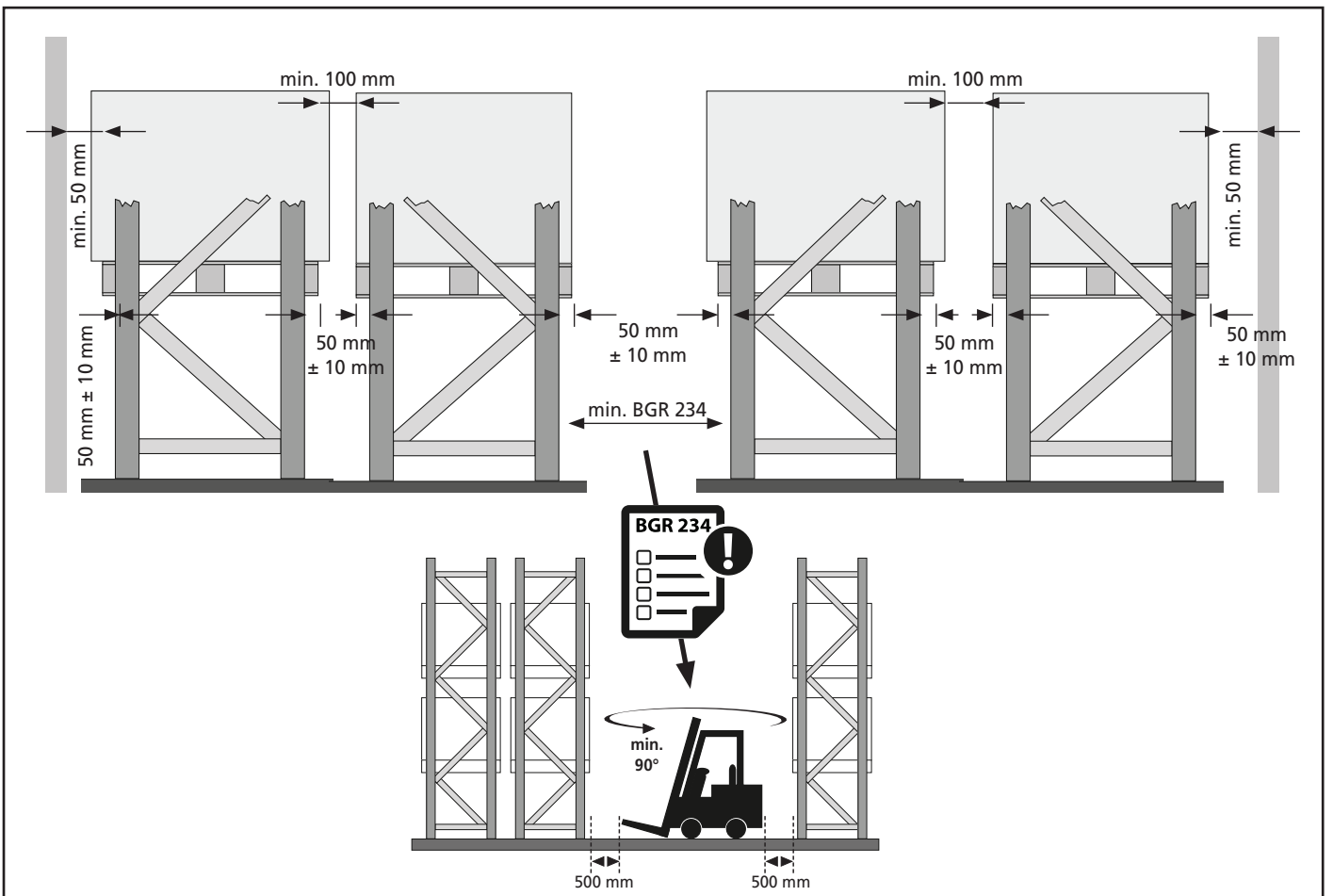
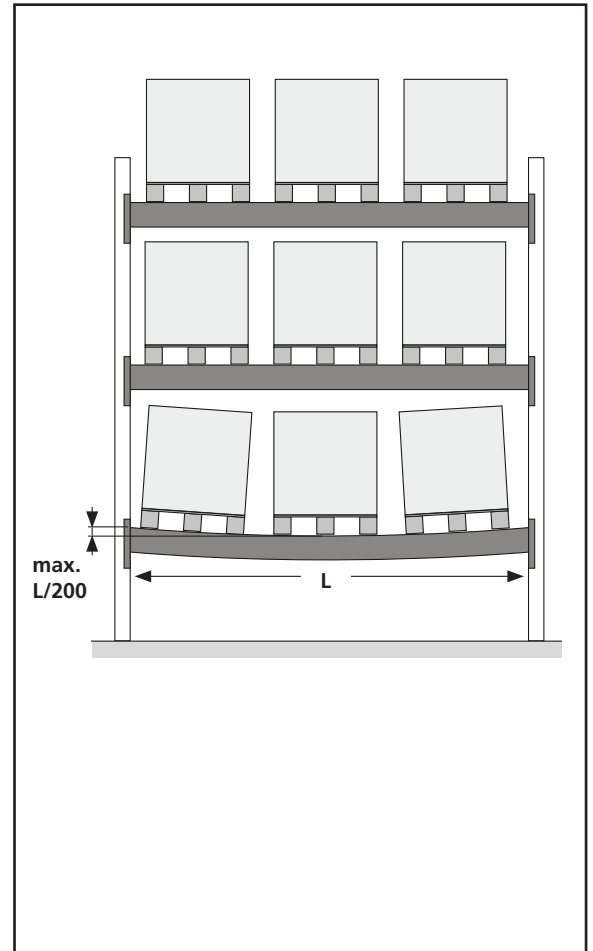
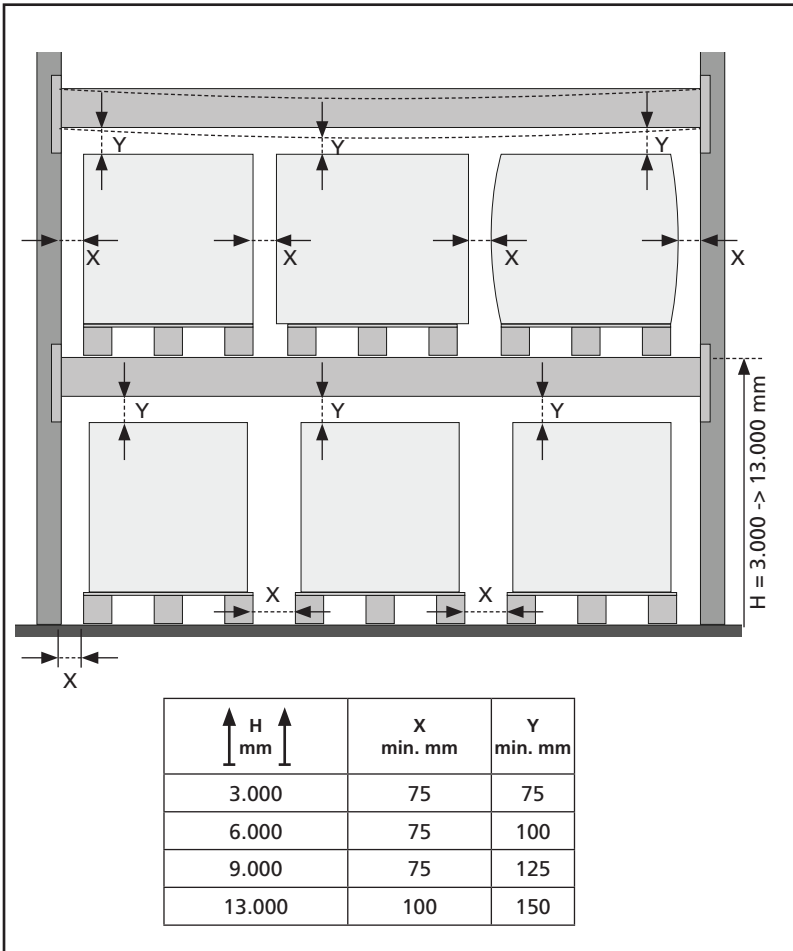


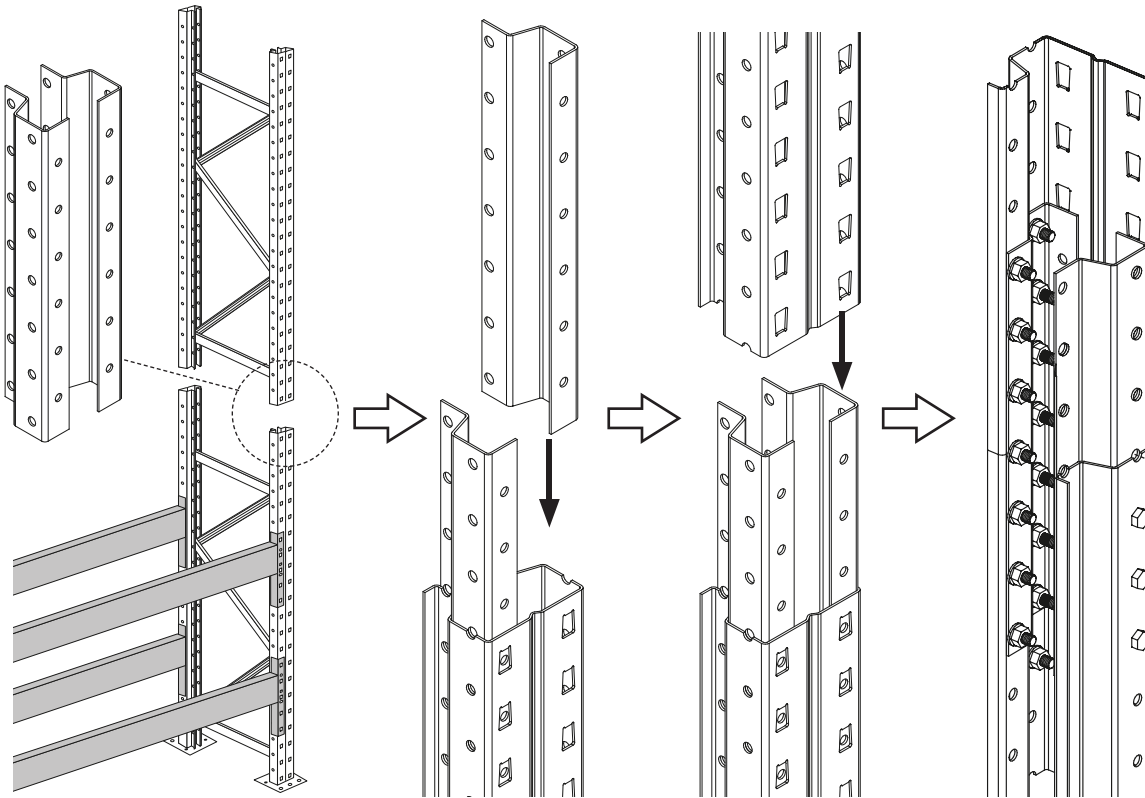


# 5.1



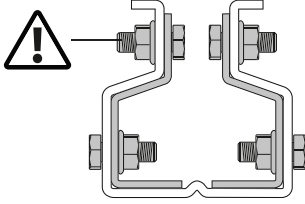




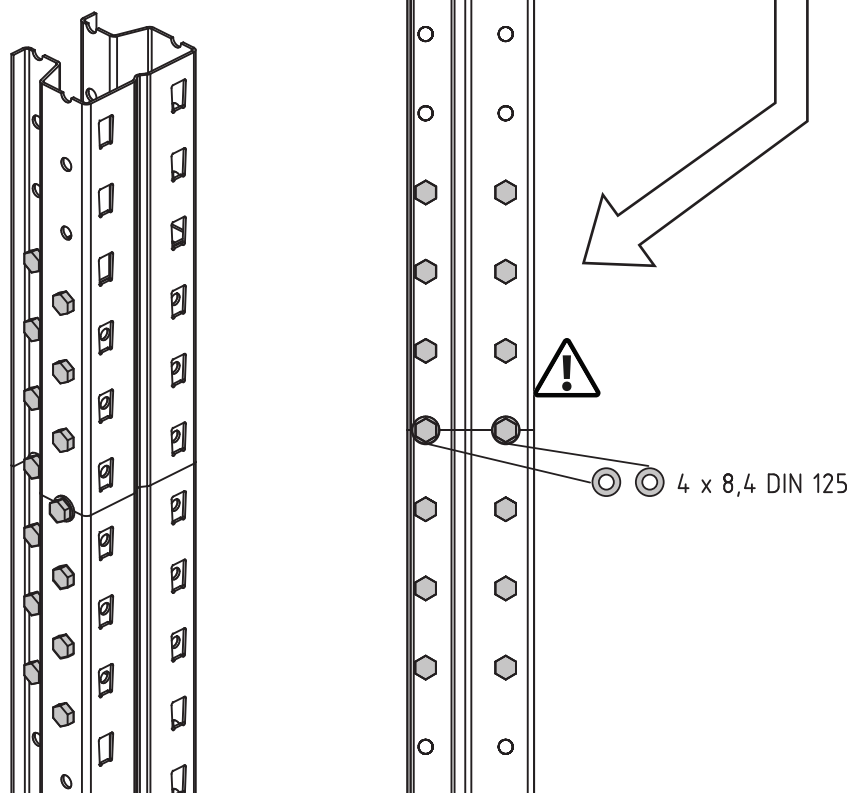
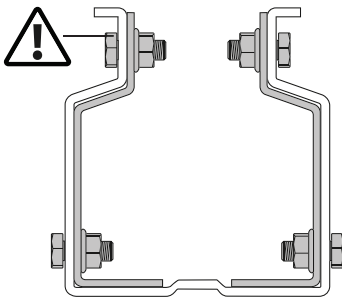


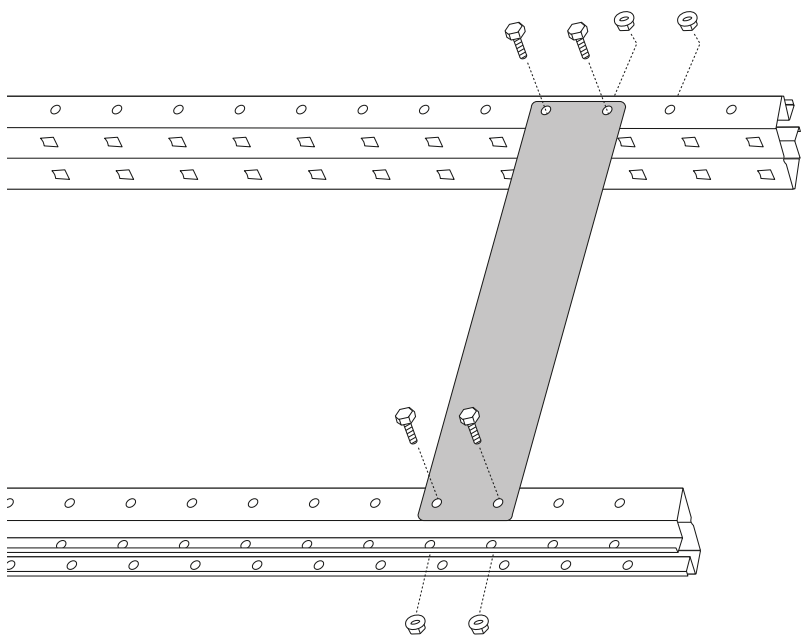
- ⚠
- 24 x M8x20 DIN 933
- 24 x DIN 6923
- ⚠
- 4 x M8x25 DIN 933
- 4 x DIN 6923
- 4 x DIN 125

**Typ S610-N / S620-N / S625-N**



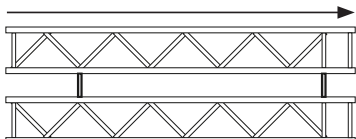
**Typ S635-N**





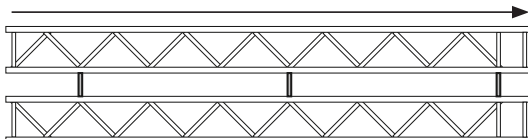
-> 6 m = 2

2 x



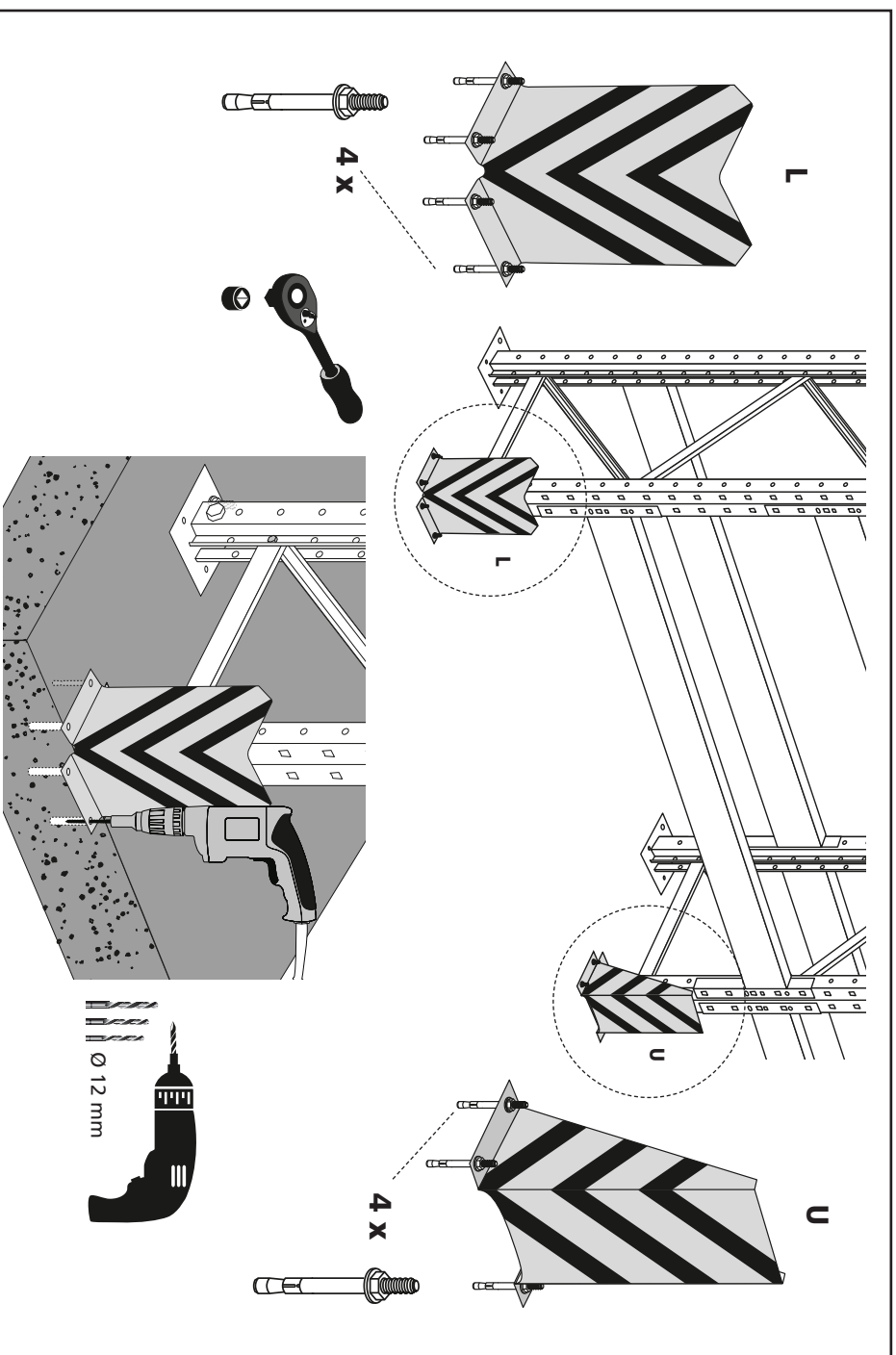
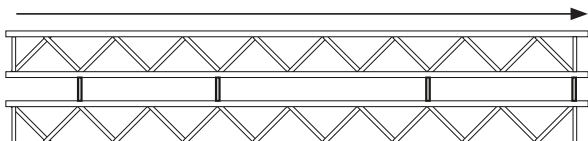
-> 9 m = 3

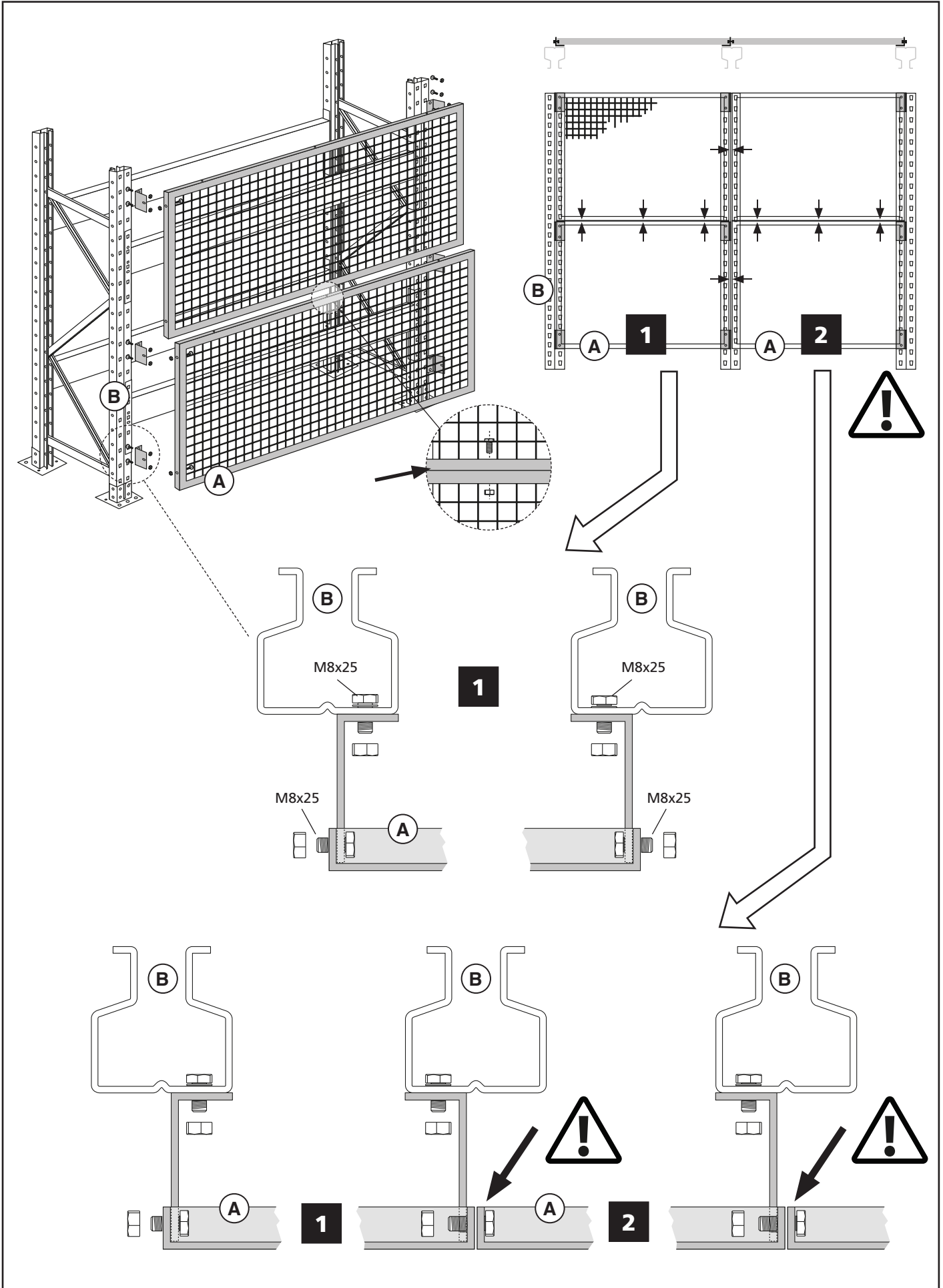
3 x



-> 10 m = 4

4 x











X	Y	Z
1.825 mm	1	4
2.225 mm	1	4
2.700 mm	1	4
3.600 mm	2	8

1.825 -> 2.700 mm

-> 3.600 mm

X	Y 300 mm	Y 325 mm
1.825 mm	5	1
2.225 mm	2	5
2.700 mm	9	-
3.600 mm	12	-

