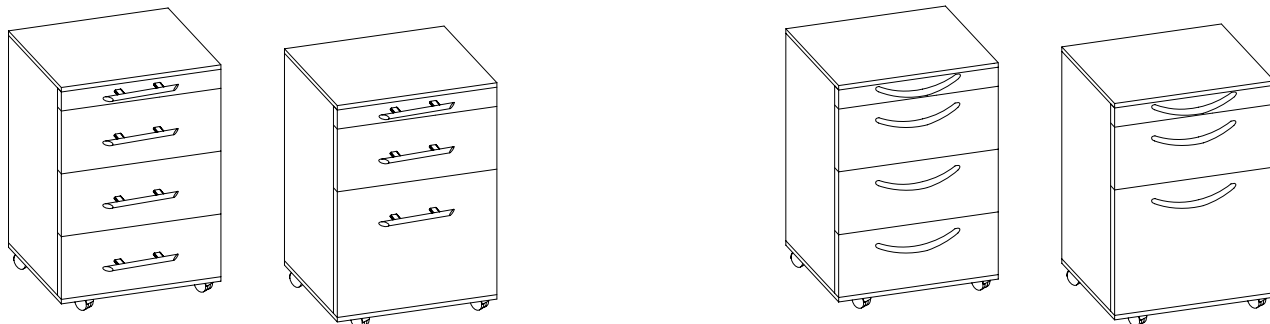
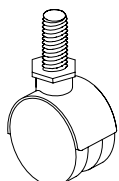
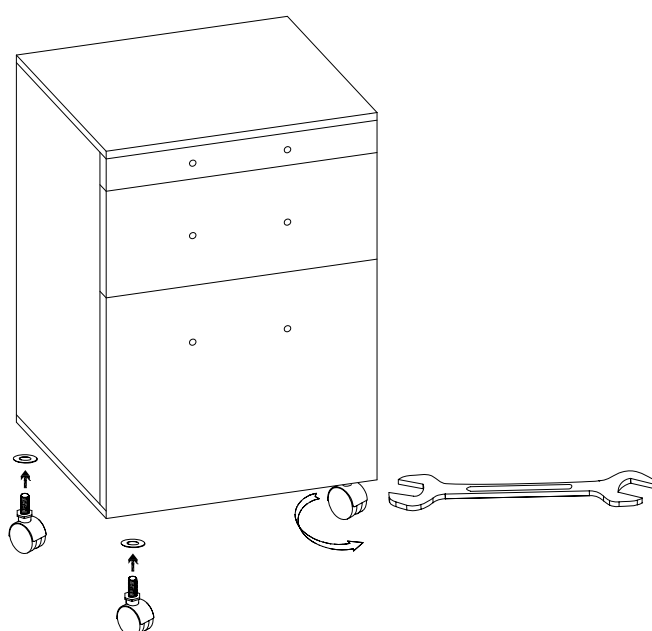
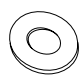
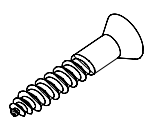
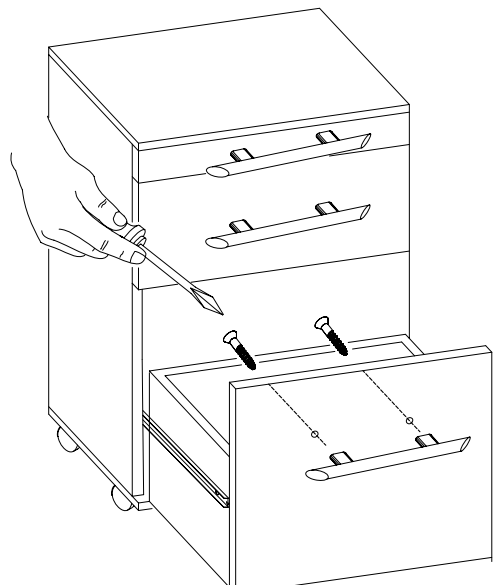

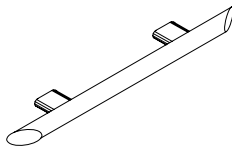



Montageanleitung : Rollcontainer

Assembly instruction : Drawer pedestal



| | |
|---|---|
|  <p>4x A</p> | <p>1</p>  |
|  <p>4x B</p> | |

| | | |
|---|--|---|
| <p>6 (8) x C</p>  <p>(4,5 x 35)</p> | <p>2</p>  | <p>6 (8) x C</p>  <p>(M4 x 25)</p> |
| <p>3 (4) x D</p>  <p>Relinggriff</p> | <p>3 (4) x D</p>  <p>Bogengriff</p> | |